

Filter regulators**Page numbers**

1/4" to 3/4"	Combined filter regulator units Self relieving or non relieving Manual or automatic drain Accessories	3550.2 - 3550.3 3550.7
3/4" to 1"	Combined filter regulator units Self relieving or non relieving Manual or automatic drain Accessories	3500.8, 3500.9 3500.10 - 3500.11

Filters**Page numbers**

1/4" to 3/4"	Filter units with manual or automatic drain Accessories	3500.4 - 3500.5 3550.7
3/4" to 1"	Filter units with manual or automatic drain Accessories	3500.8, 3500.10 3500.10 - 3500.11

Pressure regulators**Page numbers**

1/4" to 3/4"	Pressure regulators Self relieving or non relieving Accessories	3500.6 - 3500.7 3500.7
3/4" to 1"	Pressure regulators Self relieving or non relieving Accessories	3500.8, 3500.11 3500.10 - 3500.11

Lubricators**Page numbers**

1/2"	Automatic lubricator unit	3500.12
------	---------------------------	---------

**NEW Low Temperature (-50°C / -58°F) range
of 3500 Series Air Service Equipment also available**

FILTER REGULATORS - SELF RELIEVING FILTER REGULATORS - NON RELIEVING

1/4", 3/8", 1/2", 3/4" NPT (BSP)

General description and benefits

A 316 stainless steel combination unit for filtration and pressure regulation of compressed air for the offshore, food, pharmaceutical and allied industries.

- 316 Stainless steel throughout.
- Large flow paths minimise pressure drop.
- Rolling diaphragm design.
- Precision adjustment.

Filter unit

Large 40 micron standard element with manual or automatic drain for the removal of liquids and solids.

Operating fluids

Gases, air, inert gas, sweet (natural) and sour gases.

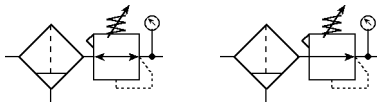
Ingress protection

Heavy seas / on deck rating

Functional symbols

Self relieving

Non relieving



Technical data

Ports NPT (BSP option available)

1/4", 3/8", 1/2", 3/4"

Gauge ports

1/8"NPT

(1/4" NPT and BSP options available)

Relief / vent port

1/8"NPT (Fitted with bug screen)

Maximum inlet pressure

Manual drain - 20 bar (290 psi)

Automatic drain - 17 bar (247 psi)

Regulated pressure

0.50 to 2 bar (7.2 to 29 psi)

0.50 to 4 bar (7.2 to 58 psi)

0.50 to 8 bar (7.2 to 116 psi)

0.50 to 12 bar (7.2 to 174 psi)

Maximum bleed flow

at 2 bar (29 psi) secondary pressure

0.5cc/sec (0.03cu in/sec)

Working temperature

Ambient temperature

-20°C to +80°C (-4°F to +176°F)

Low temperature version

-50°C (-58°F)

Contact Customer Services for details

Bowl retention capacity

21cc (1.28cu ins)

Flow capacity

at 10bar (145 psi) inlet pressure, 6 bar (87psi) secondary pressure with 1bar (14.5 psi) pressure drop

1/4" - 62 dm³/sec (130 SCFM)

1/2" - 100 dm³/sec (212 SCFM)

Cv (Kv)

1/4" - 2.4 (34.0) 3/8" - 3.3 (47.0)

1/2" - 4.4 (63.0) 3/4" - 5.0 (71.0)



Materials of construction

Body, bonnet, bowl and internals

Stainless steel AISI 316 S11 to NACE MR-0175

Element

40 micron 316 Stainless steel (5 micron option)

Diaphragm and valve assembly

Fluoroelastomer and 316 Stainless steel

Valve spring

Inconel X750

Adjustment spring

316 Stainless steel

Seals

Fluoroelastomer

Auto drain

Acetal resin, stainless steel and Buna N

Preferred models

Model No	Description	Mass kg (lbs)
Self relieving		
2FRMSV**2A+	1/4"NPT Filter regulator, manual drain	1.75 (3.86)
2FRASV**2A+	1/4"NPT Filter regulator, automatic drain	2.05 (4.52)
3FRMSV**2A+	3/8"NPT Filter regulator, manual drain	1.75 (3.86)
3FRASV**2A+	3/8"NPT Filter regulator, automatic drain	2.05 (4.52)
4FRMSV**2A+	1/2"NPT Filter regulator, manual drain	1.75 (3.86)
4FRASV**2A+	1/2"NPT Filter regulator, automatic drain	2.05 (4.52)
6FRMSV**2A+	3/4"NPT Filter regulator, manual drain	1.95 (4.30)
6FRASV**2A+	3/4"NPT Filter regulator, automatic drain	2.25 (4.96)

Non relieving

Specify model code 'FRN' in place of 'FRM' for manual drain versions.

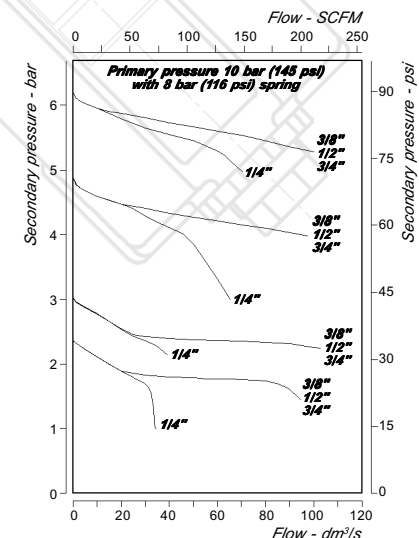
Specify model code 'FRB' in place of 'FRA' for automatic drain versions.

** - for regulated pressure add code:-
 0.50 to 2 bar (7.2 to 29 psi) - code 02
 0.50 to 4 bar (7.2 to 58 psi) - code 04
 0.50 to 8 bar (7.2 to 116 psi) - code 08
 0.50 to 12 bar (7.2 to 174 psi) - code 12

+ - for 5 micron element add 05 to model number
 - for BSP replace '2' in position 9 with '1'
 - for 1/4" gauge port add 'X' to end of model number

Flow characteristics

Conform to ISO6953-2:2000



FILTER REGULATORS - SELF RELIEVING FILTER REGULATORS - NON RELIEVING

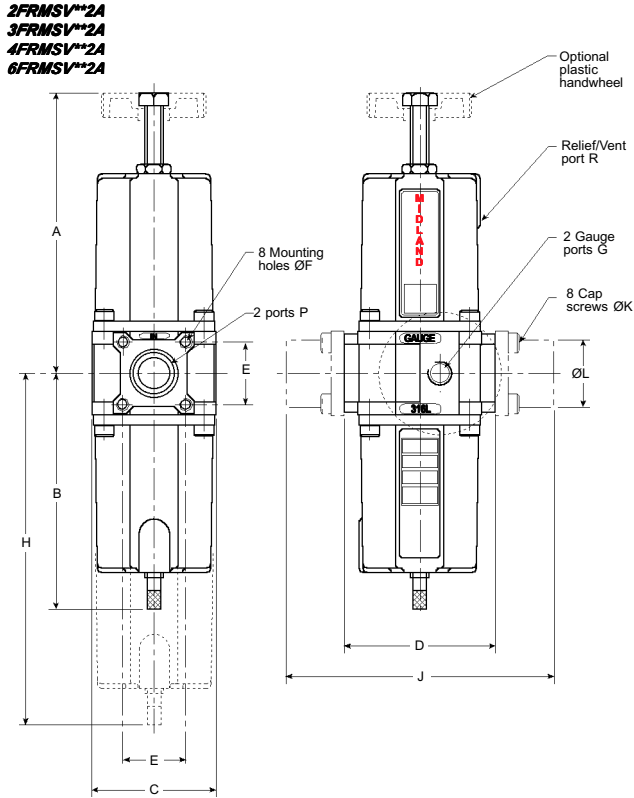
316

STAINLESS STEEL

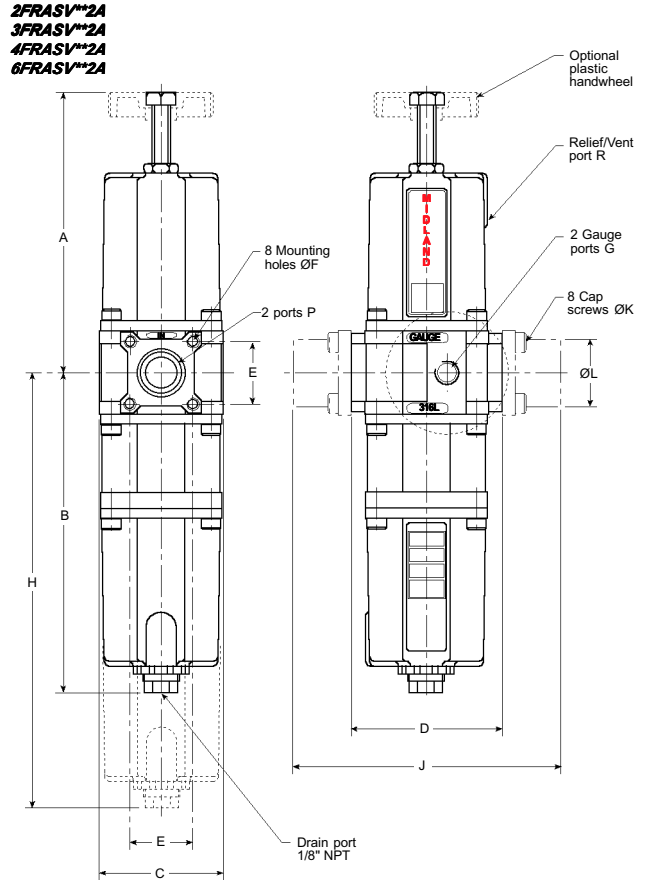
1/4", 3/8", 1/2", 3/4" NPT (BSP)

Installation dimensions mm (inches)

Filter regulators - self relieving and non relieving with manual drain



Filter regulators - self relieving and non relieving with automatic drain



Model No	Ports P	Ports G	Port R	A	B	C	D	E	F	H	J	K	L
With manual drain													
2FRMSV**2A	1/4" NPT	1/8" NPT	1/8" NPT	123.5	104	55	67	24	M4	155	-	-	-
	1/4" NPT	1/8" NPT	1/8" NPT	(4.86)	(4.09)	(2.17)	(2.64)	(0.94)	M4	(6.10)	-	-	-
3FRMSV**2A	3/8" NPT	1/8" NPT	1/8" NPT	123.5	104	55	67	28	M5	155	-	-	-
	3/8" NPT	1/8" NPT	1/8" NPT	(4.86)	(4.09)	(2.17)	(2.64)	(1.10)	M5	(6.10)	-	-	-
4FRMSV**2A	1/2" NPT	1/8" NPT	1/8" NPT	123.5	104	55	67	28	M5	155	-	-	-
	1/2" NPT	1/8" NPT	1/8" NPT	(4.86)	(4.09)	(2.17)	(2.64)	(1.10)	M5	(6.10)	-	-	-
6FRMSV**2A	3/4" NPT	1/8" NPT	1/8" NPT	123.5	104	55	-	28	-	155	117	M5	30
	3/4" NPT	1/8" NPT	1/8" NPT	(4.86)	(4.09)	(2.17)	-	(1.10)	-	(6.10)	(4.61)	M5	(1.18)
With automatic drain													
2FRASV**2A	1/4" NPT	1/8" NPT	1/8" NPT	123.5	141.5	55	67	24	M4	192.5	-	-	-
	1/4" NPT	1/8" NPT	1/8" NPT	(4.86)	(5.57)	(2.17)	(2.64)	(0.94)	M4	(7.58)	-	-	-
3FRASV**2A	3/8" NPT	1/8" NPT	1/8" NPT	123.5	141.5	55	67	28	M5	192.5	-	-	-
	3/8" NPT	1/8" NPT	1/8" NPT	(4.86)	(5.57)	(2.17)	(2.64)	(1.10)	M5	(7.58)	-	-	-
4FRASV**2A	1/2" NPT	1/8" NPT	1/8" NPT	123.5	141.5	55	67	28	M5	192.5	-	-	-
	1/2" NPT	1/8" NPT	1/8" NPT	(4.86)	(5.57)	(2.17)	(2.64)	(1.10)	M5	(7.58)	-	-	-
6FRASV**2A	3/4" NPT	1/8" NPT	1/8" NPT	123.5	141.5	55	-	28	-	192.5	117	M5	30
	3/4" NPT	1/8" NPT	1/8" NPT	(4.86)	(5.57)	(2.17)	-	(1.10)	-	(7.58)	(4.61)	M5	(1.18)

Dimensions for non relieving models are same as self relieving models above.
Dimension H = clearance required below pipe centreline to enable bowl to be removed.

For optional handwheel, tamper proof cap, gauges and mounting accessories see details on page 3550.7

General description and benefits

316 stainless steel filter for filtration of compressed air in the offshore, food, pharmaceutical and allied industries.

Large 40 micron standard element with manual or automatic drain for the removal of liquids and solids.

- Large flow paths minimise pressure drop.
- 316 Stainless steel throughout.
- Large stainless steel element.

Operating fluids

Gases, air, inert gas, sweet (natural) and sour gases.

Ingress protection

Heavy seas / on deck rating

Functional symbols

Filter with manual drain



Filter with automatic drain



Preferred models

Model No	Description	Mass kg (lbs)
2FLMSV202A+	1/4"NPT Filter with manual drain	1.30 (2.86)
2FLASV172A+	1/4"NPT Filter with automatic drain	1.60 (3.53)
3FLMSV202A+	3/8"NPT Filter with manual drain	1.30 (2.86)
3FLASV172A+	3/8"NPT Filter with automatic drain	1.60 (3.53)
4FLMSV202A+	1/2"NPT Filter with manual drain	1.30 (2.86)
4FLASV172A+	1/2"NPT Filter with automatic drain	1.60 (3.53)
6FLMSV202A+	3/4"NPT Filter with manual drain	1.50 (3.31)
6FLASV172A+	3/4"NPT Filter with automatic drain	1.80 (3.97)

- + - for 5 micron element add 05 to model number
- for BSP replace '2' in position 9 with '1'
- for 1/4" gauge port add 'X' to end of model number

Technical data

Ports NPT (BSP option available)
1/4", 3/8", 1/2", 3/4"

Gauge Ports

1/8"NPT
(1/4" NPT and BSP options available)

Automatic Drain Port

1/8"NPT

Working pressure

Manual drain - 20 bar (290 psi)
Automatic drain - 17 bar (247 psi)

Working temperature

Ambient temperature
-20°C to +80°C (-4°F to +176°F)
Low temperature version
-50°C (-58°F)
Contact Customer Services for details

Bowl retention capacity

21 cc (1.28 cu ins)

Flow capacity

at 7 bar (102 psi) supply pressure, 0.35 bar (5 psi) pressure drop

1/4" - 23 dm³/sec (49 SCFM)
1/2" - 49 dm³/sec (104 SCFM)

Cv (Ky)

1/4" - 2.4 (34.0) 3/8" - 3.3 (47.0)
1/2" - 4.4 (63.0) 3/4" - 5.0 (71.0)



Materials of construction

Body, bonnet, bowl and internals

Stainless steel AISI 316 S11 to NACE MR-0175

Element

40 micron 316 Stainless steel (5 micron option)

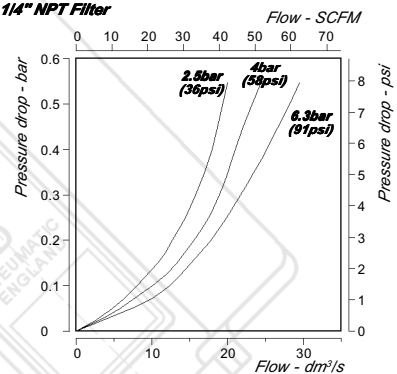
Seals

Fluoroelastomer

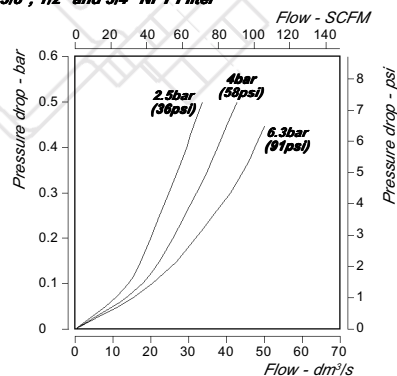
Flow characteristics

Conform to ISO8953-2:2000

1/4" NPT Filter



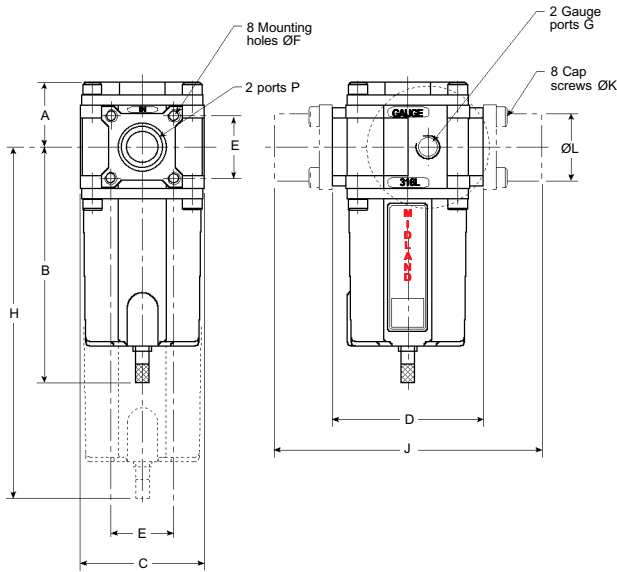
3/8", 1/2" and 3/4" NPT Filter



Installation dimensions mm (inches)

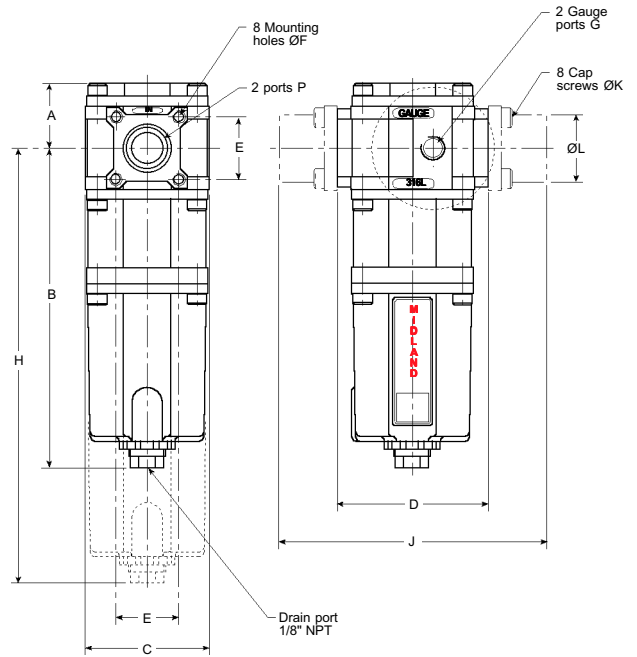
Filters with manual drain

**2FLMSV202A
3FLMSV202A
4FLMSV202A
6FLMSV202A**



Filters with automatic drain

**2FLASV172A
3FLASV172A
4FLASV172A
6FLASV172A**



Model No	Ports P	Ports G	A	B	C	D	E	F	H	J	K	L
With manual drain												
2FLMSV202A	1/4" NPT	1/8" NPT	28.5	104	55	67	24	M4	155	-	-	-
	1/4" NPT	1/8" NPT	(1.12)	(4.09)	(2.17)	(2.64)	(0.94)	M4	(6.10)	-	-	-
3FLMSV202A	3/8" NPT	1/8" NPT	28.5	104	55	67	28	M5	155	-	-	-
	3/8" NPT	1/8" NPT	(1.12)	(4.09)	(2.17)	(2.64)	(1.10)	M5	(6.10)	-	-	-
4FLMSV202A	1/2" NPT	1/8" NPT	28.5	104	55	67	28	M5	155	-	-	-
	1/2" NPT	1/8" NPT	(1.12)	(4.09)	(2.17)	(2.64)	(1.10)	M5	(6.10)	-	-	-
6FLMSV202A	3/4" NPT	1/8" NPT	28.5	104	55	-	28	-	155	117	M5	30
	3/4" NPT	1/8" NPT	(1.12)	(4.09)	(2.17)	-	(2.64)	-	(6.10)	(4.61)	M5	(1.18)
With automatic drain												
2FLASV172A	1/4" NPT	1/8" NPT	28.5	141.5	55	67	24	M4	192.5	-	-	-
	1/4" NPT	1/8" NPT	(1.12)	(5.57)	(2.17)	(2.64)	(0.94)	M4	(7.58)	-	-	-
3FLASV172A	3/8" NPT	1/8" NPT	28.5	141.5	55	67	28	M5	192.5	-	-	-
	3/8" NPT	1/8" NPT	(1.12)	(5.57)	(2.17)	(2.64)	(1.10)	M5	(7.58)	-	-	-
4FLASV172A	1/2" NPT	1/8" NPT	28.5	141.5	55	67	28	M5	192.5	-	-	-
	1/2" NPT	1/8" NPT	(1.12)	(5.57)	(2.17)	(2.64)	(1.10)	M5	(7.58)	-	-	-
6FLASV172A	3/4" NPT	1/8" NPT	28.5	141.5	55	-	28	-	192.5	117	M5	30
	3/4" NPT	1/8" NPT	(1.12)	(5.57)	(2.17)	-	(1.10)	-	(7.58)	(4.61)	M5	(1.18)

Dimension H = clearance required below pipe centreline to enable bowl to be removed.

For mounting accessories see details on page 3550.7

PRESSURE REGULATORS - SELF RELIEVING PRESSURE REGULATORS - NON RELIEVING

1/4", 3/8", 1/2", 3/4" NPT (BSP)

General description and benefits

316 stainless steel pressure regulator for pressure regulation of compressed gases for the offshore, food, pharmaceutical and allied industries.

- 316 Stainless steel throughout.
- Large flow characteristics.
- Rolling diaphragm design.
- High relief flow.
- Precision adjustment.
- Integral mounting holes.
- Full range of accessories.

Operating fluids

Gases, air, inert gas, sweet (natural) and sour gases.

Ingress protection

Heavy seas / on deck rating

Functional symbols

Self relieving



Non relieving



Preferred models

Model No	Description	Mass kg (lbs)
Self relieving		
2PRVSV**2A	1/4"NPT Pressure regulator	1.60 (3.53)
3PRVSV**2A	3/8"NPT Pressure regulator	1.60 (3.53)
4PRVSV**2A	1/2"NPT Pressure regulator	1.60 (3.53)
6PRVSV**2A	3/4"NPT Pressure regulator	1.80 (3.97)
Non relieving		
2PRNSV**2	1/4"NPT Pressure regulator	1.60 (3.53)
3PRNSV**2	3/8"NPT Pressure regulator	1.60 (3.53)
4PRNSV**2	1/2"NPT Pressure regulator	1.60 (3.53)
6PRNSV**2A	3/4"NPT Pressure regulator	1.80 (3.97)

** - for regulated pressure add code:-
 0.50 to 2 bar (7.2 to 29 psi) - code 02
 0.50 to 4 bar (7.2 to 58 psi) - code 04
 0.50 to 8 bar (7.2 to 116 psi) - code 08
 0.50 to 12 bar (7.2 to 174 psi) - code 10

- for BSP replace '2' in position 9 with '1'
 - for 1/4" gauge port add 'X' to end of model number

Technical data

Ports NPT (BSP option available)
 1/4", 3/8", 1/2", 3/4"

Gauge ports
 1/8"NPT
 (1/4" NPT and BSP options available)

Relief / vent port
 1/8"NPT (Fitted with bug screen)

Maximum inlet pressure
 20 bar (290 psi)

Regulated pressure
 0.50 to 2 bar (7.2 to 29 psi)
 0.50 to 4 bar (7.2 to 58 psi)
 0.50 to 8 bar (7.2 to 116 psi)
 0.50 to 12 bar (7.2 to 174 psi)

Maximum bleed flow
 at 2 bar (29 psi) secondary pressure
 0.5cc/sec (0.03cu in/sec)

Working temperature
 Ambient temperature
 -20°C to +80°C (-4°F to +176°F)
 Low temperature version
 -50°C (-58°F)
 Contact Customer Services for details

Flow capacity
 at 10bar (145 psi) inlet pressure, 6 bar (87psi) secondary pressure with 1bar (14.5 psi) pressure drop
 1/4" - 63 dm³/sec (133 SCFM)
 1/2" - 103 dm³/sec (218 SCFM)

Cv (Kv)
 1/4" - 2.4 (34.0) 3/8" - 3.5 (50.0)
 1/2" - 4.6 (65.5) 3/4" - 5.2 (74.0)



Materials of construction

Body, bonnet, bowl and internals
 Stainless steel AISI 316 S11
 to NACE MR-0175

Diaphragm and valve assembly
 Fluoroelastomer and 316 Stainless steel

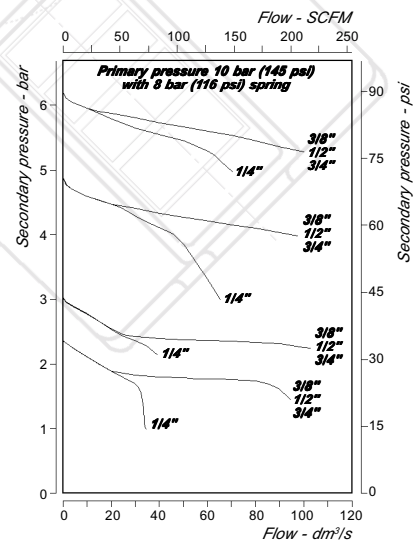
Valve spring
 Inconel X750

Adjustment spring
 316 Stainless steel

Seals
 Fluoroelastomer

Flow characteristics

Conform to ISO6953-2:2000



PRESSURE REGULATORS - SELF RELIEVING PRESSURE REGULATORS - NON RELIEVING

316
STAINLESS STEEL

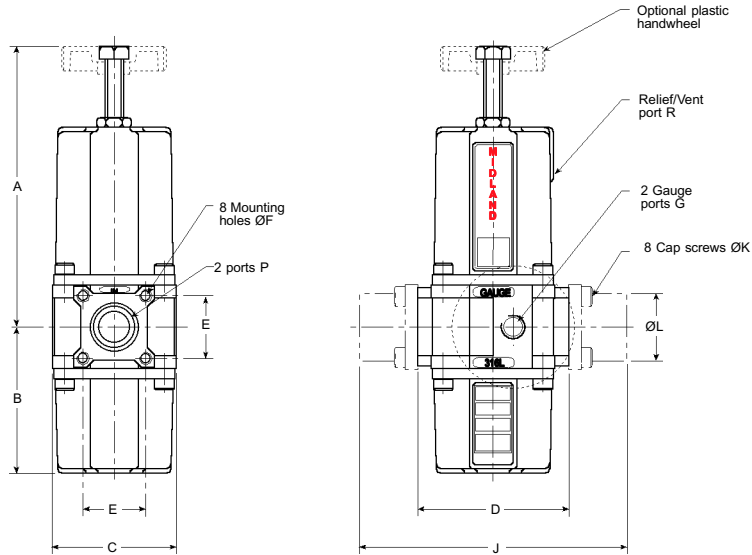
1/4", 3/8", 1/2", 3/4" NPT (BSP)

Installation dimensions mm (inches)

Pressure regulators - self relieving and non relieving

2PRVSV**2A
3PRVSV**2A
4PRVSV**2A
6PRVSV**2A

2PRNSV**2A
3PRNSV**2A
4PRNSV**2A
6PRNSV**2A



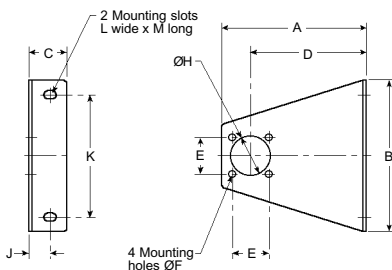
Model No	Ports P	Ports G	Port R	A	B	C	D	E	F	J	K	L
2PRVSV**2A	1/4" NPT	1/8" NPT	1/8" NPT	123.5 (4.86)	64 (2.52)	55 (2.17)	67 (2.64)	24 (0.94)	M4	-	-	-
3PRVSV**2A	3/8" NPT	1/8" NPT	1/8" NPT	123.5 (4.86)	64 (2.52)	55 (2.17)	67 (2.64)	28 (1.10)	M5	-	-	-
4PRVSV**2A	1/2" NPT	1/8" NPT	1/8" NPT	123.5 (4.86)	64 (2.52)	55 (2.17)	67 (2.64)	28 (1.10)	M5	-	-	-
6PRVSV**2A	3/4" NPT	1/8" NPT	1/8" NPT	123.5 (4.86)	64 (2.52)	55 (2.17)	-	28 (1.10)	-	117 (4.61)	M5	30 (1.18)

Dimensions for non relieving models are same as self relieving models above.

ACCESSORIES

Mounting bracket

Mounting bracket kit
SSF2110-7S (for 1/4" units - short)
SSF2110-7 (for 1/4" units - long)
SSF4110-7 (for 3/8", 1/2" and 3/4" units)

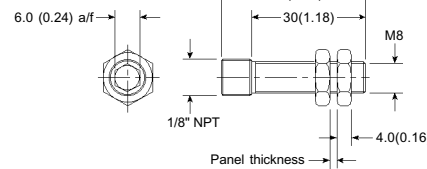


Model No	A	B	C	D	E
SSF2110-7S	79(3.11)	100(3.94)	25(0.98)	60(2.36)	24(0.94)
SSF2110-7	95(3.74)	100(3.94)	25(0.98)	76(2.99)	24(0.94)
SSF4110-7	95(3.74)	100(3.94)	25(0.98)	76(2.99)	28(1.10)

F	H	J	K	L	M
4.5(0.18)	26(1.02)	14(0.55)	80(3.15)	5.5(0.22)	8.5(0.33)
4.5(0.18)	26(1.02)	14(0.55)	80(3.15)	5.5(0.22)	8.5(0.33)
5.5(0.22)	30(1.18)	14(0.55)	80(3.15)	5.5(0.22)	8.5(0.33)

Stud mounting kit

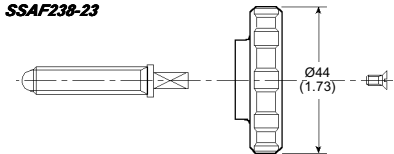
Stud mounting kit
SSBF238-21



Kit comprises: 1 - Stud complete with 2 locking nuts

Plastic handwheel kit

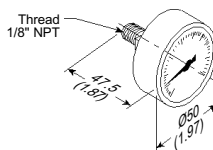
Plastic handwheel kit
SSAF238-23



Kit comprises:
1 - Handwheel, 1 - Pressure adjustment screw
1 - Handwheel retaining screw

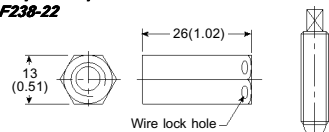
Pressure Gauge

50mm Pressure gauge - glycerine filled
SSF153N11GLY (0 - 11 bar)
SSF153N14GLY (0 - 4 bar)
SSF153N2GLY (0 - 2 bar)



Tamper proof cap kit

Tamper proof cap kit
SSAF238-22



Kit comprises
1 - Pressure adjustment screw, 1 - Tamper proof cap

General description and benefits

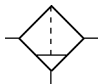
Full range of 316 stainless steel large flow air service equipment for the offshore, food, pharmaceutical and allied industries.

- 316 Stainless steel throughout.
- Large flow paths minimise pressure drop.
- Clean lines
- Integral mounting holes.

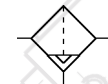
Functional symbols

Filters

Filter with manual drain

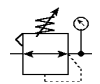


Filter with automatic drain

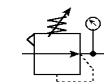


Regulators

Self relieving

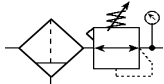


Non relieving

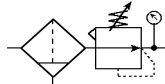


Filter / Regulators

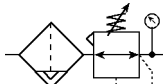
Self relieving with manual drain



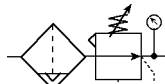
Non relieving with manual drain



Self relieving with automatic drain



Non relieving with automatic drain



Operating fluids

Gases, air, inert gas, sweet (natural) and sour gases.

Ingress protection

Heavy seas / on deck rating

Technical data

Ports NPT (BSP option available)

3/4", 1"

Gauge ports

1/8"NPT

(1/4" NPT and BSP options available)

Relief / vent port

1/8"NPT (Fitted with bug screen)

Filtration

5 micron

Working pressure

Filters and Filter regulators

Manual drain - 20 bar (290 psi)

Automatic drain - 17 bar (247 psi)

Regulators

Maximum inlet pressure

20 bar (290 psi)

Working temperature

Ambient temperature

-20°C to +80°C (-4°F to +176°F)

Bowl retention

260cc (15.87cu ins)

Regulated pressure

0.1 to 2 bar (1.45 to 29 psi)

0.2 to 4 bar (2.90 to 58 psi)

0.3 to 7 bar (4.35 to 102 psi)

0.5 to 10 bar (7.25 to 145 psi)

0.8 to 16 bar (11.60 to 232 psi)

Maximum bleed flow

at 2 bar (29 psi) secondary pressure

0.5cc/sec (0.03cu in/sec)

Flow capacity

Filter

at 7 bar (102 psi) supply pressure, 0.35 bar (5 psi) pressure drop

167dm³/sec (353 SCFM)

Regulator

at 7 bar (102 psi) inlet pressure, 6 bar (87psi)

secondary pressure, 1 bar (14.5 psi) pressure drop

130dm³/sec (274 SCFM)

Filter / Regulator

at 7 bar (102 psi) inlet pressure, 6 bar (87psi)

secondary pressure, 1 bar (14.5 psi) pressure drop

130dm³/sec (274 SCFM)

Cv (Kv)

3/4" - 10.0 (145)

1" - 15.0 (217)

Materials of construction

Body, bonnet, bowl and internals

Stainless steel AISI 316 S11
to NACE MR-0175

Element

Sintered polypropylene

Diaphragm

Nitrile and 316 Stainless steel

Valve spring

Inconel X750

Adjustment spring

316 Stainless steel

Seals and valve assembly

Fluoroelastomer

Flow characteristics

Conform to ISO6953-2:2000

For filter pressure drop characteristics see graphs on page 3550.10

For pressure regulator characteristics see graphs on page 3550.11

FILTER REGULATORS - SELF RELIEVING FILTER REGULATORS - NON RELIEVING

316

STAINLESS STEEL

3/4", 1" NPT (BSP)

General description and benefits

316 stainless steel combined unit for filtration and pressure regulation of compressed air in the offshore, petro-chemical, pharmaceutical and allied industries.

- Large flow paths minimise pressure drop.
- 5 micron element.
- 5 pressure ranges.

Operating fluids, Ingress protection, Functional symbols, Technical data and Materials of construction

See details on page 3550.8

Flow characteristics

For filter pressure drop characteristics see graphs on page 3550.10

For pressure regulator characteristics see graphs on page 3550.11



Preferred models

Model No	Description	Mass kg (lbs)
Self relieving		
6FRMSV**2	3/4"NPT Filter with manual drain	5.75 (12.7)
6FRASV**2	3/4"NPT Filter with automatic drain	5.75 (12.7)
8FRMSV**2	1"NPT Filter with manual drain	5.75 (12.7)
8FRASV**2	1"NPT Filter with automatic drain	5.75 (12.7)
Non relieving		
Specify model code 'FRN' in place of 'FRM' for manual drain versions.		
Specify model code 'FRB' in place of 'FRA' for automatic drain versions.		

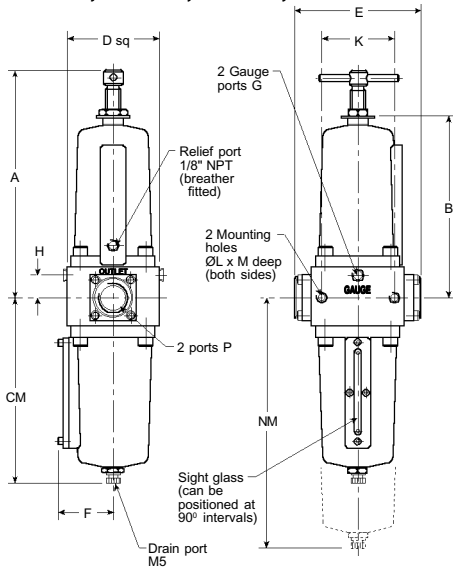
**** - for regulated pressure add code:-**
0.1 to 2 bar (1.45 to 29 psi) - code 02
0.2 to 4 bar (2.90 to 58 psi) - code 04
0.3 to 7 bar (4.35 to 102 psi) - code 07
0.5 to 10 bar (7.25 to 145 psi) - code 10
0.8 to 16 bar (11.60 to 232 psi) - code 16

- for BSP replace '2' in position 9 with '1'
 - for 1/4" gauge port add 'X' to end of model number

Installation dimensions mm (inches)

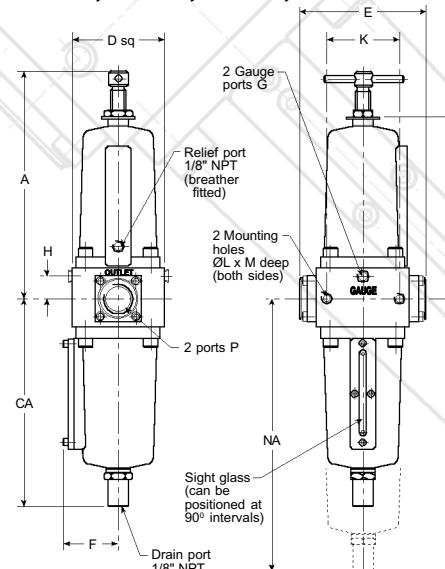
Filter regulators with manual drain

6FRMSV**2, 8FRMSV**2, 6FRNSV**2, 8FRNSV**2



Filter regulators with automatic drain

6FRASV**2, 8FRASV**2, 6FRBSV**2, 8FRBSV**2



Mounting brackets

Stand-pipe mounting kit SSAF 638-28
 Mounting kit SSAF 638-26

For dimensional details see page 3550.10

Tamper proof cap kit

Tamper proof cap kit SSAF 638-22

For dimensional details see page 3550.11

Pressure Gauge

50mm Pressure gauge - glycerine filled
 SSF153N/11GLY (0 - 11 bar)
 SSF153N/4GLY (0 - 4 bar)
 SSF153N/2GLY (0 - 2 bar)

For dimensional details see page 3550.11

Model No	Ports P	Port G	A	B	CA†	CM	D	E	F	H	K	L	M	NA†	NM
6FRMSV**2	3/4" NPT	1/8" NPT	219	174	201	180	87.5	120	52	21.5	70	M8	12	281	260
	3/4" NPT	1/8" NPT	(8.62)	(6.85)	(7.91)	(7.09)	(3.44)	(4.72)	(2.05)	(0.85)	(2.76)	M8	(0.47)	(11.06)	(10.24)
8FRMSV**2	1" NPT	1/8" NPT	219	174	201	180	87.5	120	52	21.5	70	M8	12	281	260
	1" NPT	1/8" NPT	(8.62)	(6.85)	(7.91)	(7.09)	(3.44)	(4.72)	(2.05)	(0.85)	(2.76)	M8	(0.47)	(11.06)	(10.24)

Dimension NA or NM = clearance required below pipe centreline to enable bowl to be removed.

Dimensions for non relieving models (6FRNSV**2, 8FRNSV**2, 6FRBSV**2 and 8FRBSV**2) are same as self relieving models above.

† = Dimensions CA and NA relate to models with automatic drain (6FRASV**2, 8FRASV**2, 6FRBSV**2 and 8FRBSV**2)

General description and benefits

316 stainless steel compressed air filters to provide clean dry air for the offshore, petro-chemical and allied industries.

- 5 micron element.
- Manual / auto drain.
- Large flow paths minimise pressure drop.

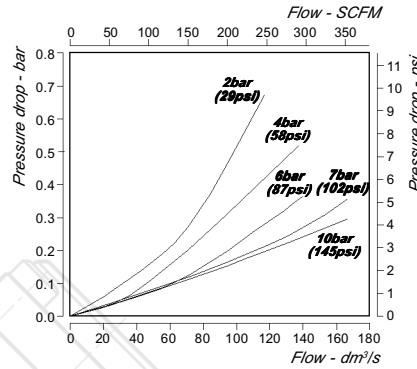
Operating fluids, Ingress protection, Functional symbols, Technical data and Materials of construction

See details on page 3550.8

Flow characteristics

Conform to ISO6953-2:2000

Pressure drop v Flow



Preferred models

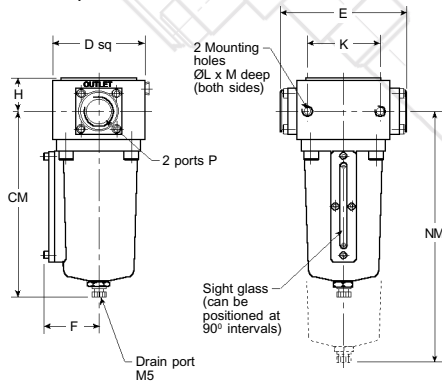
Model No	Description	Mass kg (lbs)
6FLMSV202	3/4"NPT Filter with manual drain	3.75 (8.27)
6FLASV172	3/4"NPT Filter with automatic drain	3.75 (8.27)
8FLMSV202	1"NPT Filter with manual drain	3.75 (8.27)
8FLASV172	1"NPT Filter with automatic drain	3.75 (8.27)

for BSP replace '2' in position 9 with '1'

Installation dimensions mm (inches)

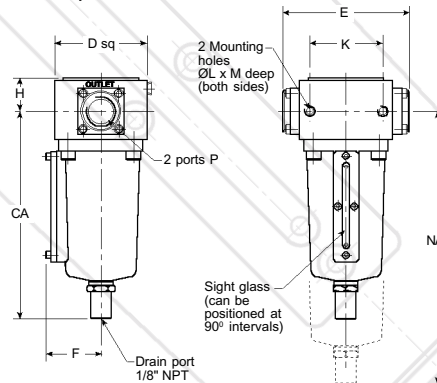
Filters with manual drain

6FLMSV202, 8FLMSV202



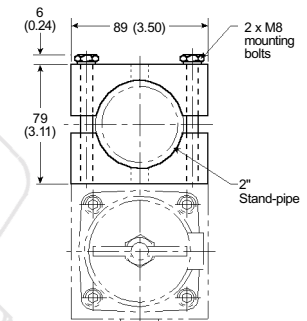
Filters with automatic drain

6FLASV172, 8FLASV172



Mounting brackets

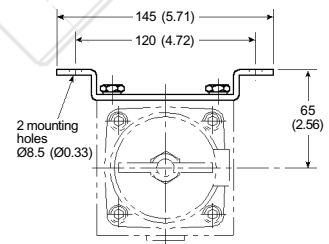
Stand-pipe mounting kit
SSAF 638-28



Model No	Ports P	CA	CM	D	E	F	H	K	L	M	NA	NM
With manual drain												
6FLMSV202	3/4" NPT	-	180	87.5	120	52	30.5	70	M8	12	-	260
	3/4" NPT	-	(7.09)	(3.44)	(4.72)	(2.05)	(1.20)	(2.76)	M8	(0.47)	-	(10.24)
8FLMSV202	1" NPT	-	180	87.5	120	52	30.5	70	M8	12	-	260
	1" NPT	-	(7.09)	(3.44)	(4.72)	(2.05)	(1.20)	(2.76)	M8	(0.47)	-	(10.24)
With automatic drain												
6FLASV172	3/4" NPT	201	-	87.5	120	52	30.5	70	M8	12	281	-
	3/4" NPT	(7.91)	-	(3.44)	(4.72)	(2.05)	(1.20)	(2.76)	M8	(0.47)	(11.06)	-
8FLASV172	1" NPT	201	-	87.5	120	52	30.5	70	M8	12	281	-
	1" NPT	(7.91)	-	(3.44)	(4.72)	(2.05)	(1.20)	(2.76)	M8	(0.47)	(11.06)	-

Dimension NA or NM = clearance required below pipe centreline to enable bowl to be removed.

Mounting kit
SSAF 638-28



PRESSURE REGULATORS - SELF RELIEVING PRESSURE REGULATORS - NON RELIEVING

316
STAINLESS STEEL

3/4", 1" NPT (BSP)

General description and benefits

316 stainless steel pressure regulators to provide pressure regulation of compressed air in the offshore, petro-chemical and allied industries.

- Large flow.
- 5 pressure ranges.
- High relief flow.

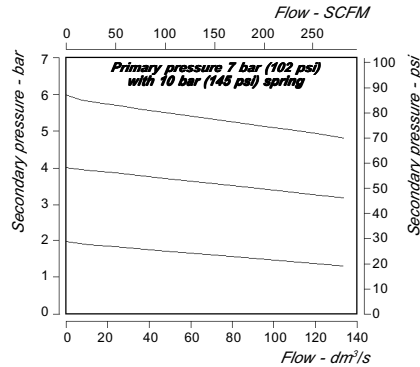
Operating fluids, Ingress protection, Functional symbols, Technical data and Materials of construction

See details on page 3550.8

Flow characteristics

Conform to ISO6953-2:2000

Secondary pressure v Flow



Preferred models

Model No	Description	Mass kg (lbs)
Self relieving		
6PRVSV**2	3/4"NPT Pressure regulator	5.00 (11.0)
8PRVSV**2	1"NPT Pressure regulator	5.00 (11.0)
Non relieving		
6PRNSV**2	3/4"NPT Pressure regulator	5.00 (11.0)
8PRNSV**2	1"NPT Pressure regulator	5.00 (11.0)

** - for regulated pressure add code:-
0.1 to 2 bar (1.45 to 29 psi) - code 02
0.2 to 4 bar (2.90 to 58 psi) - code 04
0.3 to 7 bar (4.35 to 102 psi) - code 07
0.5 to 10 bar (7.25 to 145 psi) - code 10
0.8 to 16 bar (11.60 to 232 psi) - code 16

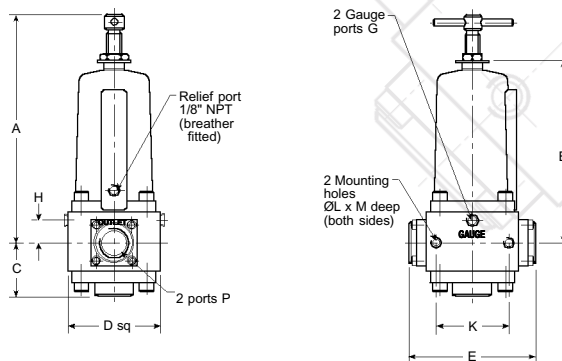
for BSP replace '2' in position 9 with '1'

Models available with ANSI flanges - Contact Customer Services for further details

Installation dimensions mm (inches)

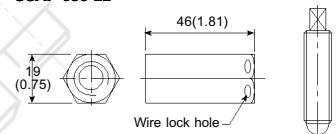
Pressure regulators - self relieving and non relieving

6PRVSV**2, 8PRVSV**2, 6PRNSV**2, 8PRNSV**2



Tamper proof cap kit

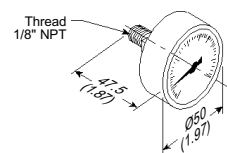
Tamper proof cap kit
SSAF 630-22



Kit comprises
1 - Pressure adjustment screw,
1 - Tamper proof cap

Pressure Gauge

50mm Pressure gauge - glycerine filled
SSF153N11GLY (0 - 11 bar)
SSF153N4GLY (0 - 4 bar)
SSF153N2GLY (0 - 2 bar)



Other ranges of pressure gauge are available - details on request

Model No	Ports P	Port G	A	B	C	D	E	H	K	L	M
6PRVSV**2	3/4" NPT	1/8" NPT	219	174	53	87.5	120	21.5	70	M8	12
	3/4" NPT	1/8" NPT	(8.62)	(6.85)	(2.09)	(3.44)	(4.72)	(0.85)	(2.76)	M8	(0.47)
8PRVSV**2	1" NPT	1/8" NPT	219	174	53	87.5	120	21.5	70	M8	12
	1" NPT	1/8" NPT	(8.62)	(6.85)	(2.09)	(3.44)	(4.72)	(0.85)	(2.76)	M8	(0.47)

Dimensions for non relieving models (6PRNSV**2 and 8PRNSV**2) are same as self relieving models above.

General description and benefits

316 stainless steel for the offshore, food, pharmaceutical and allied industries. Provides lubrication of compressed air for use in these industries.

- Accurate drip rate adjustment.
- Can be filled under pressure.
- Transparent sight feed dome gives clear visibility of oil supply.
- Built in flow sensor automatically adjusts lubrication delivery to meet wide air flow demand.

Functional symbol

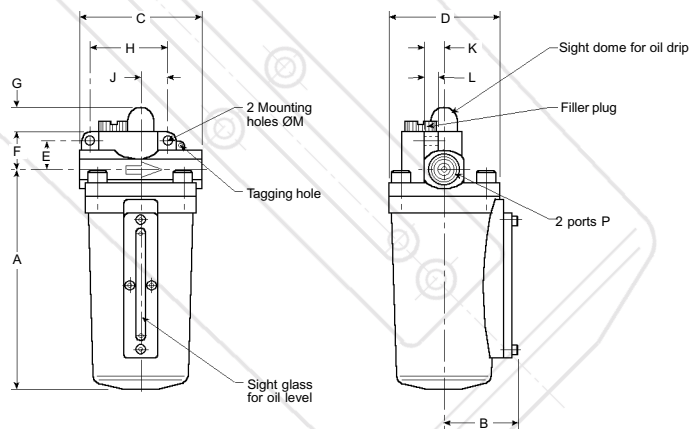


Preferred models

Model No	Description	Mass kg (lbs)
4LUBSN172	1/2"NPT Lubricator	1.80 (3.97)

Installation dimensions mm (inches)

4LUBSN172



Model No	Ports P	A	B	C	D	E	F	G	H	J	K	L	M
4LUBSN172	1/2" NPT	156	52	85	80	20	26	17.5	55	19	14	10	6.5
	1/2" NPT	(6.14)	(2.05)	(3.35)	(3.15)	(0.79)	(1.02)	(6.89)	(2.17)	(0.75)	(0.55)	(0.39)	(0.26)

Technical data

Ports NPT (BSP option available)
1/2"

Working pressure
17 bar (247 psi)

Working temperature
Ambient temperature
-20°C to +80°C (-4°F to +176°F)

Capacity
380cc (23.2cu in)



Materials of construction

Body, bowl and internals
Stainless steel AISI 316 S11
to NACE MR-0175

Flow and sight glass
Acryl

Seals
Nitrile and Fluoroelastomer

Presented By:



Patrick Gregory Road, Wednesfield, Wolverhampton WV11 3DZ England
Tel: +44 (0) 1902 305678 Fax: +44 (0) 1902 305676
E mail: sales@imc-uk.com Web site: <http://www.midland-pneu.com>