

# Focus Light Curtains and Light Grids

**Point of operation guarding!  
Passable protection in risk areas!  
Built-in muting capabilities!**

---

|  |    |
|--|----|
| Why should I use Light Curtains and Light Grids?.....                      | 2  |
| How do Light Curtains and Light Grids work?.....                           | 3  |
| What are the safety requirements for an Optical Protective Device?.....    | 3  |
| Minimal Safe Distance Calculation .....                                    | 4  |
| Focus Light Curtains and Light Grids.....                                  | 6  |
| Muting with FMC and FMI Units .....  | 11 |
| Muting with MF-T and MF-L Units.....                                       | 13 |
| Muting with MF-T Reflex and MF-L Reflex Units.....                         | 14 |
| Focus Summary .....  | 15 |
| Focus Ordering Data.....   | 16 |
| Bjorn A Strong Support for Light Grids and Mirrors .....                   | 17 |
| Keppguard Protective Machine Mounted Enclosures .....                      | 18 |
| Wet Wash Down Tubes .....  | 19 |
| BP1 Blanking Programmer and JSRL-3 Laser Aligner .....                     | 20 |
| FSTR1 Muting Sensors Retro/Reflective with Polarizing Filters .....        | 21 |
| JS OBP800 Muting Sensors Diffuse/Reflective with Background Rejection..... | 22 |
| Connection Examples.....   | 23 |
| Component List Ordering Data/Article Numbers.....                          | 27 |



# Why should I use Safety Light Curtains and Grids?

## ...to provide operator protection during production!

A safety light curtain can be used on a machine or in a production plant in the same way as a hatch or door. There are great differences though when it comes to the component installation and functionality. When a light curtain is mounted on a hazardous machine, we are not only concerned with the response times of the safety systems, but also the Depth Penetration Factors. It is possible for the operator's fingers or hands to pass through the light curtain a certain distance before being detected. This becomes the Depth Penetration Factor. This distance must also be entered into the Minimal Safety Distance Calculation for the machine (see page 4).

It is also very important that the level of safety of the light curtain with dual supervised outputs be continued throughout the rest of the stopping control circuit. Even valves and contactors, which ultimately control dangerous movements, normally have to be redundant and monitored.

### Automatic Machines

For light curtains on automatic machines there shall be a reset function which is active when the machine is set for automatic production, whether or not it is a passable protection. After an engagement one must first use a reset function, then the restart of the cycle should be made with a separate starting device. The same reset applies for machines with semi-automatic drives.

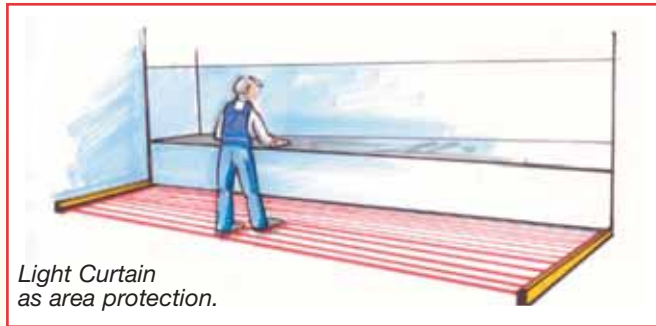
### Mechanical and Hydraulic Presses

Light curtain applications are often categorized by the type of guarding required. Protecting an operator from the hazards associated with material positioning or where a process is performed is called Point of Operation Guarding. The point of operation is often called the Zone of Hazardous Operation or the Pinch Point.

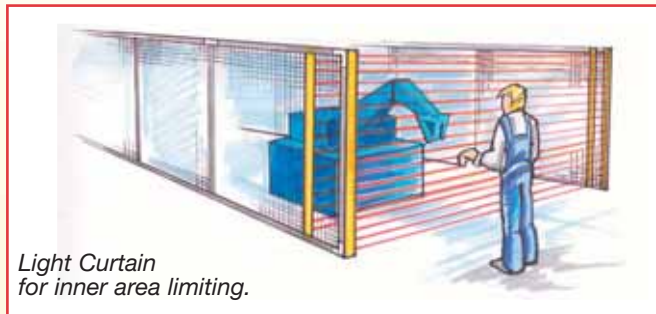
This type of guarding is associated with mechanical and hydraulic power presses, molding presses, stamping, forming, riveting, eyelet and automated assembly machinery. Light curtains used in these applications are typically selected for finger and hand protection.

### During Manual Servicing of Machines

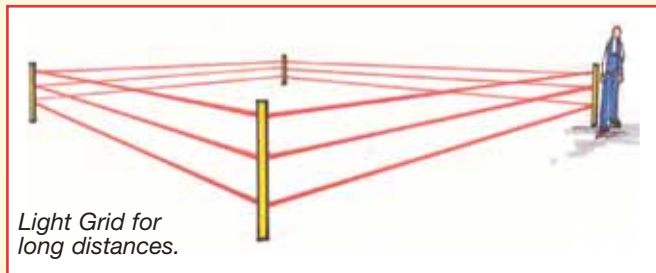
With manually operated machines where one or more operators move parts in and out between every cycle. This type of application is the most risky because the number of engagements into the machine's dangerous area is often several times per minute.



*Light Curtain as area protection.*



*Light Curtain for inner area limiting.*



*Light Grid for long distances.*

## ...to provide passable protection into risk areas!

Both light curtains and light grids can often be used as passable protection into a risk area. This is called passable protection because it is possible to get in behind the safety device. Common applications are robot installations, openings for in and out passage of material, etc. The choice between light curtain or light grid is often a question of available safety distance, reach and price. Light curtains are often chosen for short safety distances light grids are chosen for long reach — up to 50 m — and for a low price.

# How do Light Curtains and Light Grids work?

Both Light Curtains and Light Grids utilize optical transmitter and receiver units. Beams of infrared light are sent to the receiver from the transmitters. When a light beam is interrupted, a dual stop signal is given to the dangerous machines inside the light curtain/grid protected area.

## What is the difference between a Light curtain and a Light Grid?

A Light Curtain has several beams that are placed closely together, while a Light Grid consists of only one, two, three or four light beams.

The beams are closest on a Light Curtain that is used for finger detection, with a resolution of 14mm. Light Curtain beams are at their widest spacing when



Resolution for hands.



Resolution for fingers.

used for thigh detection, with a resolution of 90mm.

For Light Grids the beams are normally placed at a relative distance of 300 to 500mm.

# What are the safety requirements for an Optical Protective Device?

High safety demands are stated in the standards EN 61 496-1 and prEN 61 496-2 which deal with optical protective devices. The main demands are on a safe stopping function and that light from light sources other than the transmitter or other disturbances do not affect the safety function.

Depending on how the safety function is built up there are safety components of type 2 and 4 according to EN 954-1 and EN 61496, Part 1 and Part 2.

Type 4, which has the highest safety level, states that a fault is not allowed to affect the safety function and that the fault shall be detected by the outputs opening immediately or that they do not reconnect after being disconnected. Maximum allowed aperture angle for the light is  $\pm 2^\circ$ .

Type 2 states that a simple but monitored safety function is required, which means that the safety function shall be monitored through periodic tests which open the output when a fault occurs. Between the testing times there can be faults which result in the safety component malfunctioning. The test function can either be built into the safety device or an external unit (e.g. the machine's control system) can initiate a test. Maximum allowed aperture angle for the light is  $\pm 4^\circ$ .

Light curtains and light grids are included among the products in the machine directive's appendix 4, which means that an external certifying procedure with an officially recognized institution is called for.



Safety Certifications



## Minimal Safe Distance Calculation

The Minimal Safe Distance Calculation shall guarantee that a person is not able to reach a dangerous machine part before the machine movement has stopped. This is calculated with the formula as called

for from the *ANSI B11.19-2003 Performance Criteria for the Design, Construction, Care and Operation of Safeguarding Standard*.

$$Ds = [K \times (Ts + Tc + Tr + Tspm)] + Dpf$$

### Where:

**Ds** = minimum safe distance between the safeguarding device and the hazard.

**K** = hand speed constant: 1.6 m/sec (63 inches/sec) minimum based on the movement being the hand/arm only and the body being stationary.

**Ts** = worst stopping time of the machine/equipment.

**Tc** = worst stopping time of the control system.

**Tr** = response time of the safeguarding device including its interface.

**Tspm** = the additional stopping time, in seconds, allowed by the stopping performance monitor before it detects stop time deterioration.

**Dpf** = maximum travel towards the hazard within the presence sensing safeguarding devices (PSSD) field that may occur before a stop is signaled. Depth penetration factors will change depending on the type of device and application.

*Note: Ts + Tc are usually measured together with the Jokab Safety Stop Time Analyzer.*

**K** = The maximum speed at which an individual can approach the hazard, expressed in inches per second.

**To quote ANSI B11.19-2003:** "The factor K is the speed constant and includes hand and body movements of an individual approaching a hazard area. The following factors should be considered when determining K: a) Hand and arm movement; b) Twisting of the body or shoulder, or bending at the waist; c) Walking or running.

One of the accepted values for K is the hand speed constant (it is usually considered as the horizontal motion of the hand and arm while seated). Its common value is 63 in./s although other values (typically higher) are also used. The hand speed constant does not include other body movements, which can affect the actual approach speed. Consideration of the above factors should be included when determining the speed constant for a given application."

### For finger and hand detection Safety Light Curtains:

$$Dpf \text{ in mm} = 3.4 \times (Os - 6.875\text{mm})$$

$$Dpf \text{ in inches} = 3.4 \times (Os - 0.275\text{'})$$

### Where:

**Os** = minimum object sensitivity or resolution.

### For horizontal mounted Safety Light Curtains:

$$Dpf \text{ in mm} = 1200\text{mm}$$

$$Dpf \text{ in inches} = 48\text{'}$$

### For multi beam Safety Light Grids:

**Dpf in mm** = 1200mm for a 2 beam system with beams spaced 600mm apart.

**Dpf in inches** = 48" for a 2 beam system with beams spaced 600mm apart.

**Dpf in mm** = 900mm for a 3 beam system with beams spaced 450mm apart.

**Dpf in inches** = 36" for a 3 beam system with beams spaced 450mm apart.



Resolution for hands.

## Minimal Safe Distance Calculation (continued)

**Example 1:** With the aid of the Jokab Smart Stop Time Analyzer, a mechanical power press has a measured stopping time ( $T_s + T_c$ ) of 325 ms. This includes both the stopping time of the machine as well as the stopping time of the control circuit. The response time of the Focus Safety Light Curtain F4-35-900 with 35mm (1.38") resolution and 900mm (35.43") protective height is 20ms ( $T_r$ ). The stop time break monitor is set for 400 ms.

In this example the safety light curtain must be mounted no closer than 767.63mm (30.22") from the hazardous pinch point.



Light Curtain as hand protection.

$$T_{spm} = 400\text{ms} - (T_s + T_c)$$

$$T_{spm} = 400\text{ms} - 325\text{ms}$$

$$T_{spm} = 75\text{ms}$$

$$D_{pf} = 3.4 \times (35\text{mm} - 6.875\text{mm})$$

$$D_{pf} = 3.4 \times 28.125\text{mm}$$

$$D_{pf} = 95.63\text{mm}$$

$$D_{pf} = 3.4 \times (1.38" - 0.275")$$

$$D_{pf} = 3.4 \times 1.105"$$

$$D_{pf} = 3.76"$$

$$D_s = [K \times (T_s + T_c + T_r + T_{spm})] + D_{pf}$$

$$D_s = [1.6\text{m/s} \times (325\text{ms} + 20\text{ms} + 75\text{ms})] + 95.63\text{mm}$$

$$D_s = [63\text{inch/s} \times (325\text{ms} + 20\text{ms} + 75\text{ms})] + 3.76"$$

$$D_s = [1600\text{mm/s} \times 420\text{ms}] + 95.63\text{mm}$$

$$D_s = [63\text{inch/s} \times 420\text{ms}] + 3.76"$$

$$D_s = [1600\text{mm/s} \times .420\text{s}] + 95.63$$

$$D_s = [63\text{inch/s} \times .420\text{s}] + 3.76"$$

$$D_s = 672\text{mm} + 95.63\text{mm}$$

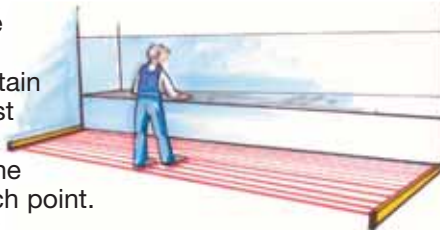
$$D_s = 26.46" + 3.76"$$

$$D_s = 767.63\text{mm}$$

$$D_s = 30.22"$$

**Example 2:** With the aid of the Jokab Smart Stop Time Analyzer, a robotic loader has a measured stopping time ( $T_s + T_c$ ) of 175 ms. This includes both the stopping time of the machine as well as the stopping time of the control circuit. The response time of the

In this example the horizontal safety light curtain must be at least 1518.4mm (60.54") from the hazardous pinch point.



Light Curtain as area protection.

horizontally mounted Focus Safety Light Curtain with 35mm (1.38") resolution is 24ms. The depth of penetration factor is fixed at 1200mm (48").

$$D_s = [K \times (T_s + T_c + T_r)] + D_{pf}$$

$$D_s = [1.6\text{m/s} \times (175\text{ms} + 24\text{ms})] + 1200\text{mm}$$

$$D_s = [63\text{inch/s} \times (175\text{ms} + 24\text{ms})] + 48"$$

$$D_s = [1600\text{mm/s} \times 199\text{ms}] + 1200\text{mm}$$

$$D_s = [63\text{inch/s} \times 199\text{ms}] + 48"$$

$$D_s = [1600\text{mm/s} \times .199\text{s}] + 1200\text{mm}$$

$$D_s = [63\text{inch/s} \times .199\text{s}] + 48"$$

$$D_s = 318.4\text{mm} + 1200\text{mm}$$

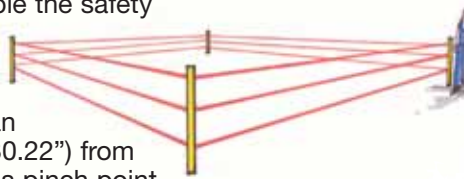
$$D_s = 12.54" + 48"$$

$$D_s = 1518.4\text{mm}$$

$$D_s = 60.54"$$

**Example 3:** With the aid of the Jokab Smart Stop Time Analyzer, a transfer gantry system has a measured stopping time ( $T_s + T_c$ ) of 212 ms. This includes both the stopping time of the machine as well as the stopping time of the control circuit. The response time of the Focus Safety Light Grid F4-K3-900 with

In this example the safety light curtain must be mounted no closer than 767.63mm (30.22") from the hazardous pinch point.



Light Curtain for long distances.

300mm (11.81") beam spacing and 900mm (35.43") protective height is 14ms ( $T_r$ ). For a 3 beam Safety Light Grid the depth of penetration factor is fixed at 900mm (35.43").

$$D_s = [K \times (T_s + T_c + T_r)] + D_{pf}$$

$$D_s = [1.6\text{m/s} \times (212\text{ms} + 14\text{ms})] + 900\text{mm}$$

$$D_s = [63\text{inch/s} \times (212\text{ms} + 14\text{ms})] + 35.43"$$

$$D_s = [1600\text{mm/s} \times 226\text{ms}] + 900\text{mm}$$

$$D_s = [63\text{inch/s} \times 226\text{ms}] + 35.43"$$

$$D_s = [1600\text{mm/s} \times .226\text{s}] + 900\text{mm}$$

$$D_s = [63\text{inch/s} \times .226\text{s}] + 35.43"$$

$$D_s = 361.6\text{mm} + 900\text{mm}$$

$$D_s = 14.24" + 35.43"$$

$$D_s = 1261.6\text{mm}$$

$$D_s = 49.67"$$

# Focus Safety Light Curtains and Light Grids

If your company is concentrating on machine safety to protect your employees and manufacturing operations, then you need the new Focus Safety Light Curtains and Light Grids. The latest in a long list of machine safety innovations from Jokab Safety North America, the Focus product line is designed to be the most control reliable and dependable presence sensing devices on the market today.

The Focus Curtains and Grids offer unsurpassed ease of installation and alignment, plus built-in muting capabilities. They are rated Category 4 Safety Level and have received all necessary national and international approvals.

Focus Curtains and Grids provide muting flexibility with inputs provided for partial or complete muting. Features include bypass lamp supervision, automatic or manual supervised reset, 2 supervised PNP safety outputs with cross-circuit monitoring, and M12 connections. LEDs provide easy alignment and indication of pollution, power supply and output status. Outputs are overload protected for a maximum load of 500mA. Floating blanking is offered as an optional feature in the FB units.

Focus comes standard with a prereset function for increased operator safety for applications where the operator can physically pass through the light curtain field. This function prevents inadvertent reset of a cell or machine, thus requiring a prereset button to be activated before the final reset function can occur. *(Not available with FB units.)*

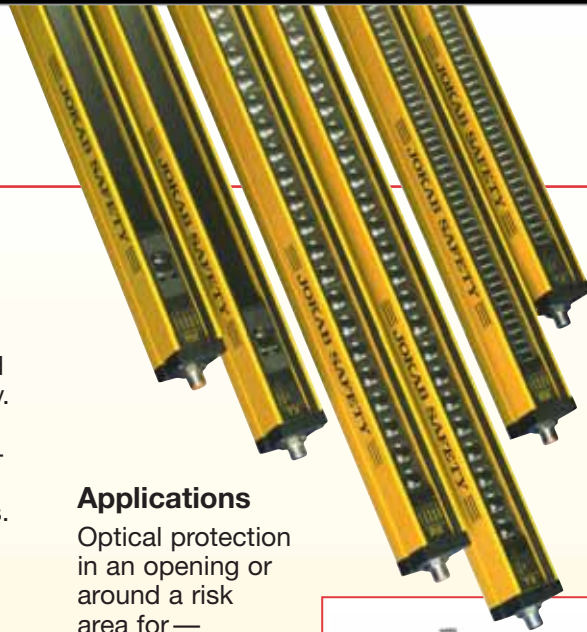
## Muting and Override

The "muting" and "override" functions are available on all Focus Curtains and Grids and is enabled directly when an indication lamp is connected. Muting implies that one or more segments or the whole light curtain can be bypassed during in and out passage of material.

In the Focus with muting there is also an override function which makes it possible to bypass the light curtain/grid (i.e. activate the outputs if a machine start is necessary) even if one or more light beams are interrupted. This is the case when the muting function is chosen and the A and B inputs are activated. If during the muting operation a loading pallet has stopped inside the safety field after a voltage loss, the override function is used to enable the pallet to be driven clear.

## Floating Blanking or Fixed Blanking

It is also possible to obtain the Focus Curtains and Grids with either "floating blanking" or "fixed blanking". Floating blanking makes it possible to 'disconnect' a defined number of beams from the safety field. The object is then free to move in the safety field without the safety function being triggered. During fixed blanking, the object is not able to move in the safety field. The other beams are active with normal resolution. During blanking applications, the object must remain in the sensing field.



## Applications

Optical protection in an opening or around a risk area for —

- Mechanical and Hydraulic Power Presses
- Molding Presses
- Stamping, Riveting and Eyelet Operations
- Automated Machinery
- Robotic Cells
- Conveyors
- Material Handling Equipment
- Printing Presses
- Welding Equipment
- Machining Centers
- Packaging Machinery



## Features

- Type 4 according to EN 61496
- Flexible assembly
- LED indication
- High protection class (IP65)
- Range 0.2 up to 50 m
- Time reset
- Muting, fixed/floating blanking
- Bypassing possibilities
- Light grid, E-stop and Eden in the same safety circuit with Vital or Pluto enables safety category 4 according to EN 954-1

## Approvals



## Focus Technical Data

Focus consists of two units, a transmitter unit and a receiver unit. All the optical units are scanned regularly so that all objects that are placed between the transmitter and the receiver will be detected.

If any light beam is interrupted, the dangerous machine movement will be stopped by the outputs from the light curtain. The reaction time for the Focus varies from 14ms to 45ms, depending on the number of beams in the light curtain. The five LEDs in the receiver and the two in the transmitter show the status of the light curtain/grid.

### Safety Outputs OSSD1 and OSSD2

Focus has two PNP outputs — OSSD1 and OSSD2. If the load to be switched is alternating current or requires a higher current than 500 mA, then one should use a safety relay, e.g. RT9, Pluto PLC or the FRM-1 unit (converts the outputs to relay contacts) from Jokab Safety. The FMC-Tina and Tina 10A/10B converts the outputs to a dynamic signal for connection to Pluto or Vital. Pluto can also work directly with the OSSD outputs.

### Focus Reset

On every Focus there are inputs for reset and other functions — Reset, Alignment and Override (bypassing is only possible when muting is used).

Reset possibilities:

- Automatic reset — when the light field is free the outputs are closed directly.
- Manual reset — Focus gives a ready signal when the light field is free and the reset button has been actuated.
- Time reset — during manual reset. To reset the Focus a pre-reset button must first be actuated and afterwards, within 8 seconds, a reset button outside the risk area must be actuated.

Choice of reset:

Reset alternatives are chosen with double change-over switches in the Focus receiver.

*Note: For further technical information, please reference the Focus Operating Manual.*

|  |  |
|--|--|
| <b>Manufacturer</b> .....                  | JOKAB SAFETY   |
| <b>Ordering Data/Article Numbers</b> ..... | see page 16  |
| <b>Supply voltage</b> .....                | 24VDC +/-10%, +/-10% ripple  |
| <b>Power Consumption</b> .....             | 10 W max<br>(transmitter and receiver connected)   |
| <b>Wavelength on Transmitter LED</b> ..... | 950 nm   |
| <b>Profile Dimensions</b> .....            | 35 x 45 mm   |
| <b>Protection Class</b> .....              | IP65   |
| <b>Temperature Range</b>                   |  |
| Operating .....                            | -10°C to +55°C   |
| Storage.....                               | -25°C to +70°C   |
| <b>Outputs</b> .....                       | 2 supervised PNP outputs<br>with cross circuit monitoring  |
| <b>Maximum Load</b> .....                  | 500 mA<br>(overload c.c. protection)   |
| <b>Response Time</b> .....                 | 14 - 45 ms   |
| <b>Connections</b>                         |  |
| Transmitter.....                           | M12 4-pin  |
| Receiver.....                              | M12 8-pin  |
| <b>Indication</b> .....                    | LEDs on transmitter and receiver<br>showing alignment, status and power supply<br>(LEDs are also used for troubleshooting) |
| <b>LED on Transmitter</b>                  |  |
| Green (Power).....                         | lit when the transmitter<br>has supply voltage   |
| Yellow (Status) .....                      | lit when the transmitter<br>is functioning correctly   |
| Yellow (Status).....                       | flashing or is turned off during<br>an error in the transmitter  |
| <b>LED on Receiver</b>                     |  |
| Yellow (Upper).....                        | alignment  |
| Red (Break).....                           | lit if the light curtains<br>beam is interrupted   |
| Green (Guard).....                         | lit when the entire<br>light field is free   |
| Yellow (Lower).....                        | lit during normal operation<br>when there is dirt on the light<br>curtain's front glass                                    |
| Yellow (Lower).....                        | flashing during normal operation<br>when the OSSD outputs<br>are short-circuited   |
| Green (Power).....                         | lit when the receiver<br>has supply voltage  |

## Reset Alternatives

### Reset

On the servicing side (i.e. the side/sides where there is an operator who moves parts in and out) there shall be a separate reset function for the light curtain. If there are several light curtains (e.g. on the front and back) there shall be one for each. If the light curtain is actuated during a dangerous movement, the press should not be able to restart without being reset. During engagement after the end of the cycle no reset is needed.

For a light curtain which is placed as protection on both sides which are not servicing sides, there shall be a reset button which always needs to be activated after an engagement.

### Supervised Manual Reset

When a light curtain/light grid is interrupted it will give a stop signal to dangerous machines within the risk area it protects. For a new start of the machine the light curtain/light grid has to be reset. This is done with the reset button (Figure 1) which is placed where it cannot be reached from within the area which is protected. There are high requirements on the reset function — neither a short circuit nor a component fault shall give automatic reset. When the reset button has been affected the outputs are activated and the machine can initiate.

### Automatic Reset

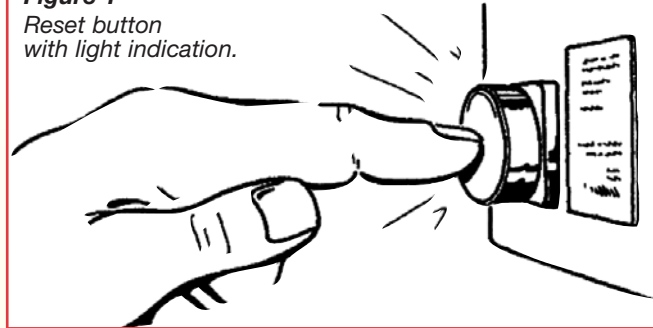
Automatic reset can only be used when it is impossible to get between the safety light curtain and the hazardous pinch point. When the operator removes his hands from the protective field the dual safety outputs will energize starting the next machine cycle immediately.

### Pre-Reset Solution

If the machine start button is not located such that you have a clear view of the entire work area, additional safe guards must be used. Typical devices include Safety Laser Scanners, Safety Mats and Horizontal Safety Light Curtains.

Focus Safety Light Curtains address this requirement without costly additional safety devices. By selecting the Pre-Reset mode through the Focus Receiver's internal dipswitches, the primary requirement for accidental resets is satisfied. The Pre-Reset must first be cycled, which gives a clear view of the work area, then no longer than 7 seconds later the Final Reset must be cycled.

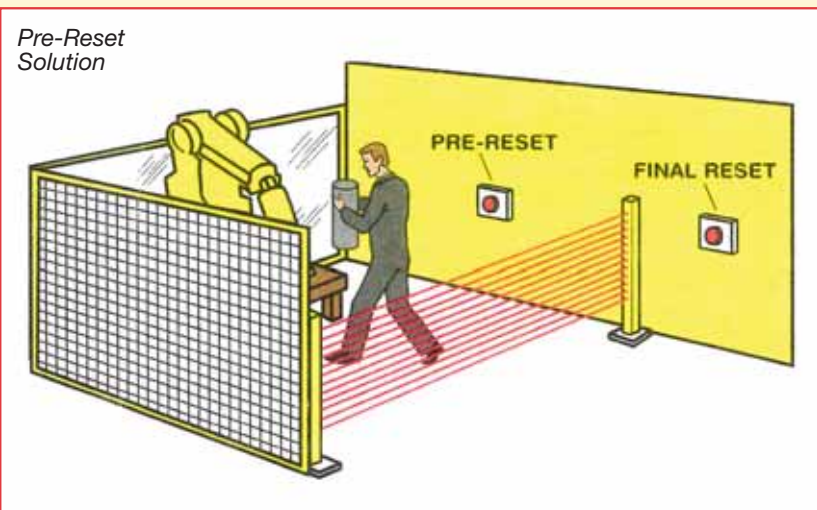
**Figure 1**  
Reset button  
with light indication.



Automatic  
Reset



Pre-Reset  
Solution





## Mounting Focus Light Curtains and Light Grids

### Vertical Safety Light Curtains

A vertically mounted safety light curtain that is used as the primary safety device must be mounted so that the bottom beam is no higher than 300mm (12") from the ground. Mounting heights above 300mm (12") may require supplemental safeguarding to prevent crawling or ducking under the horizontal light curtain. The top beam must be no lower than 900mm for reach over applications and 1200mm (48") for reach through applications. Mounting heights lower than this will require additional safeguarding.



Vertical Safety Light Curtain

### Horizontal Safety Light Curtains

A horizontal safety light curtain that is used as the primary safety device must be mounted no higher than 300mm (12") from the ground. Mounting heights above 300mm (12") may require supplemental safeguarding to prevent crawling or ducking under the horizontal light curtain. The minimal length the safety light curtain can be 1200mm (48") long.

The formula below is for mounting different resolutions from a horizontal surface.

$$\text{Height} = 15 \times (\text{Os} - 50\text{mm})$$

$$\text{Height} = 15 \times (\text{Os} - 2")$$

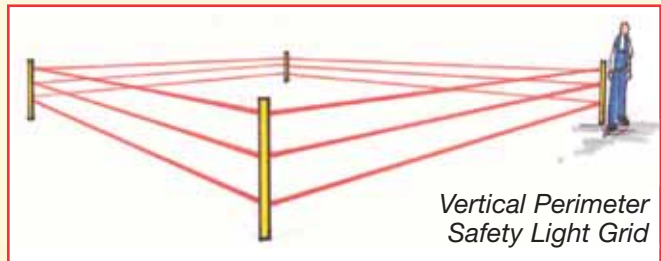
*Note: Os represents the beam spacing.*



Horizontal Safety Light Curtain

### Vertical Perimeter Safety Light Grids

A vertically mounted safety light grid must be mounted such that the bottom beam is no higher than 300mm (12") from the ground. If the light grid is of only 2 beams then the second beam must be located 900mm (36") from the ground. For a 3 or 4 beam system the top beam must be 1200mm (48") above the ground.



Vertical Perimeter Safety Light Grid



#### Correctly Installed

The operator cannot reach into the machine without actuating the Light Curtain.



#### Incorrect Installation

Gap below the Light Curtain. The operator can reach into the machine without actuating the Light Curtain.



#### Correctly Installed

Light Curtain complemented with a horizontal Light Curtain to detect the operator.



#### Incorrect Installation

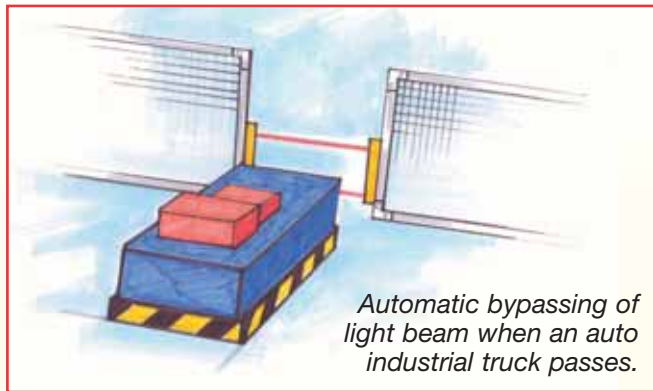
Gap above the Light Curtain. The operator can reach into the machine without actuating the Light Curtain.

## Muting (Bypassing)

Bypassing may be needed for different reasons. One of the most common reasons for bypassing is during in and out feeding of material on a conveyor, auto industrial trucks, etc. Another common application is bypassing while passing with a three-position device to the risk area.

Important aspects for bypassing are that it should be safe, not be activated by mistake and be difficult to defeat. In other words, it should give a reliable bypassing when a loading carrier comes but not allow a human to pass. To achieve the highest safety level a dual and supervised bypassing system is needed — usually with at least two independent signals. If this is done with sensors, it is recommended they be of different kinds, because the probability of them both malfunctioning for the same reason (e.g. common mode failure) is eliminated. An example of a solution is to use a mechanical limit switch and a photocell sensor.

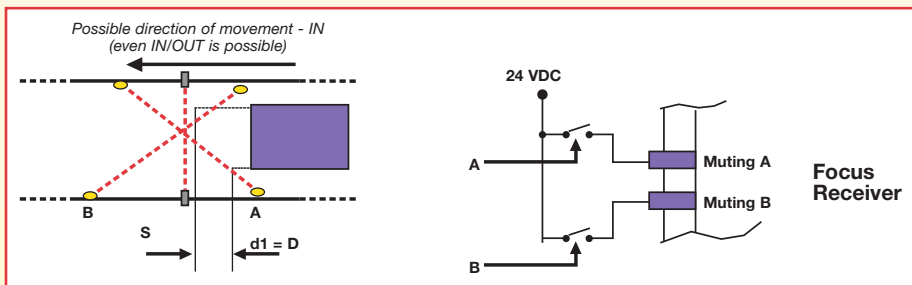
To avoid deliberate defeating/manipulation of the bypassing sensors/signals a safety relay or a safety



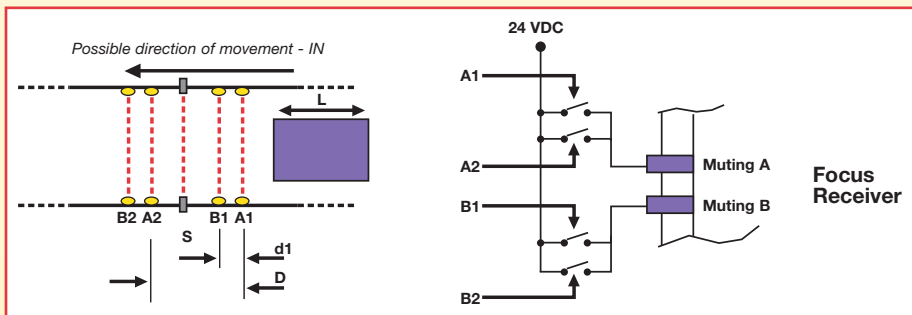
PLC is connected, thereby monitoring that both sensors are activated and deactivated in every bypassing cycle.

The amount of variants of bypassing systems are almost infinite, depending on the specific requirements of each plant/machine. For Focus there are a number of bypassing possibilities prepared.

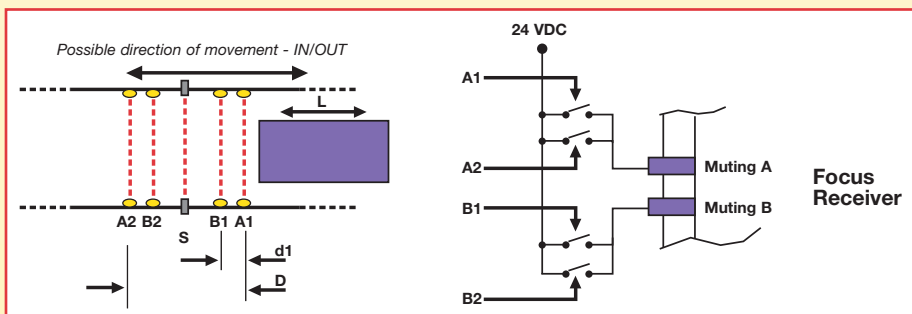
## Examples on how the Muting Sensors can be placed



A solution with two sensors (photocells shown) and ONE (or TWO) movement directions for material transport.



A solution with four sensors and ONE movement direction for material transport.



A solution with four sensors and TWO movement directions for material transport.

## Muting with FMC and FMI Units

The FMC Focus Muting Connector is a small, optimal unit which is used when the Focus Light Curtain or Light Grid is required to be bypassed for in and out passage to and from a dangerous area. The FMC unit is easily connected to Focus with an M12 connector.

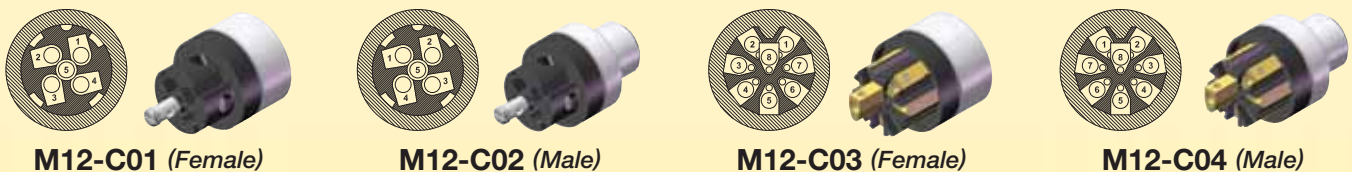
The FMI Focus Muting Indicator is a small unit with built-in muting lamp, reset button, "power off" (for alignment and override). The FMI unit is connected to the FMC unit with M12 connectors to facilitate the muting function connection.



## Various FMC, FMI, FRM Versions and Tina Units

|   |  |   |   |  |  |   |   |   |
|---|--|---|---|--|--|---|---|---|
| <p><b>FMC-1</b><br/>22-042-00</p> <p>M12-8</p>      | <p><b>FMC-2</b><br/>22-042-10</p> <p>-8</p>      | <p><b>FMI-1A</b><br/>22-043-00</p> <p>Muting Lamp</p> <p>Reset</p> <p>Power Off</p> <p>-5</p> | <p><b>FMI-1B</b><br/>22-043-01</p> <p>Muting Lamp</p> <p>Reset</p> <p>Power Off</p> <p>-5</p> | <p><b>FMI-1C</b><br/>22-043-02</p> <p>Reset</p> <p>Power Off</p> <p>-5</p> | <p><b>FMI-1D</b><br/>22-043-03</p> <p>Reset</p> <p>Power Off</p> <p>-5</p> | <p><b>FMI-1E</b><br/>22-043-04</p> <p>Reset</p> <p>-5</p> | <p><b>FMI-1G</b><br/>22-043-05</p> <p>Reset</p> <p>-5</p> | <p><b>FMC-1(2):</b> With connectors for muting sensors (A+B), reset, power off and muting lamp (r) and (M).</p> <p><b>FMI-1A:</b> Only muting lamps.</p> <p><b>FMI-1B:</b> With reset, power off and muting lamp.</p> <p><b>FMI-1C:</b> With reset and power off.</p> <p><b>FMI-1D:</b> With reset, power off and resistor instead of muting lamp.</p> <p><b>FMI-1E:</b> As pre-reset fitted in connector A (A2) on FMC-1(2) (Tina) or as reset for Tina Duo 2 in (R) connector.</p> <p><b>FMI-1G:</b> With reset and resistor instead of muting lamp.</p> <p><b>FMC-1(2) Tina:</b> The same as FMC-1(2) but made for connection of Vital or Pluto.</p> <p><b>Tina 10A:</b> Adapter unit for connection of Vital or Pluto.</p> <p><b>Tina 10B:</b> Simplified FMC-1(2) Tina but with only (R) connector.</p> <p><b>Tina 10C:</b> Simplified FMC-1(2) Tina but with only power feed at connector 3.</p> <p><b>M12-3M:</b> Bypass unit for easy connection outside the enclosure.</p> <p><b>FRM-1A:</b> Converts the two OSSD outputs to relay outputs (and power feed).</p> <p><b>JS SP-1:</b> Blanking plug for unused inputs.</p> <p><b>JS AP-1:</b> Adapter for FMC units for use without FMI-1B or FMI-1D at (R) connector with muting resistor.</p> |
| <p><b>FMC-1 Tina</b><br/>22-045-00</p> <p>M12-8</p> | <p><b>FMC-2 Tina</b><br/>22-046-00</p> <p>-8</p> | <p><b>Tina 10A</b><br/>20-054-12</p> <p>2</p> <p>-5</p>                                       | <p><b>Tina 10B</b><br/>20-054-13</p> <p>2</p> <p>-5</p>                                       | <p><b>Tina 10C</b><br/>20-054-15</p> <p>2</p> <p>-5</p>                    | <p><b>M12-3M</b><br/>20-055-04</p> <p>2 3</p> <p>-5</p>                    | <p><b>FRM-1A</b><br/>22-048-00</p> <p>-8</p>              | <p><b>JS SP-1</b><br/>22-070-00</p>                       | <p><b>JS AP-1</b><br/>22-070-10</p> <p>-5</p>   |

## M12 Connection Device with Screw Connectors



**M12-C01 (Female)**

**M12-C02 (Male)**

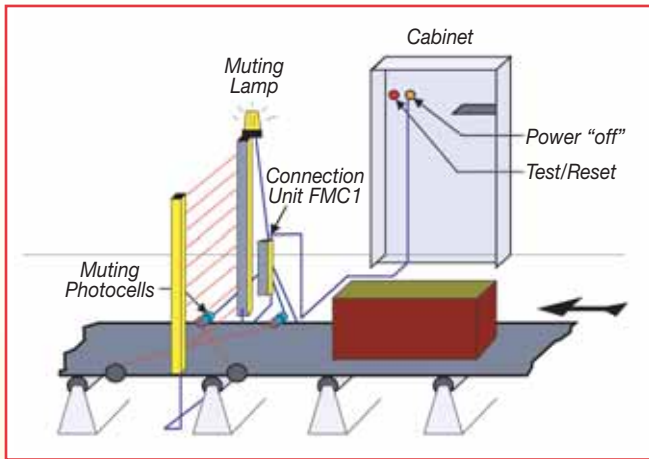
**M12-C03 (Female)**

**M12-C04 (Male)**

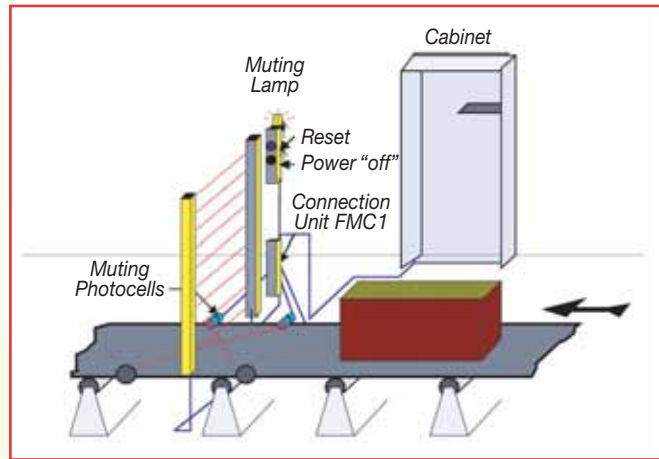
Note: Connector drawings are shown from cable side.

## Connection of Focus and Muting Components with FMC1 and FMI1

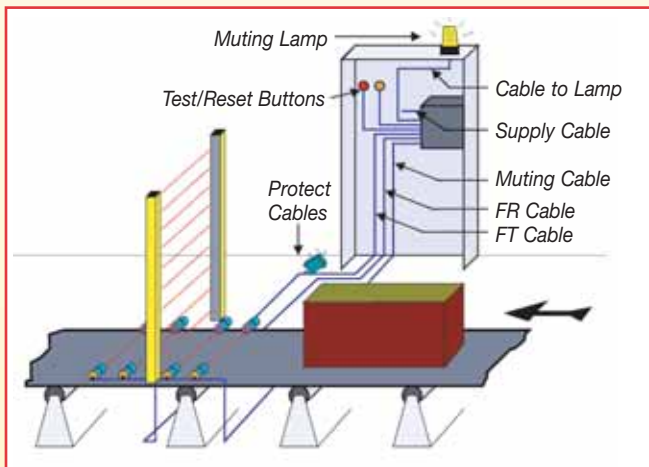
Connection of light curtain with connection block FMC 1, text/reset button 1 and switch for supply voltage placed in or by the control cabinet.



Connection of light curtain with connection block FMC1. The FMI reset unit must be placed out of reach from the risk area.



## Connection of Focus and Muting Components directly to Control Cabinet



The test/reset button shall be placed so the operator can see the protected area during reset, testing and bypassing. It should not be possible to reach the button from within the risk area.

The LMS lamp for indication of muting and bypassing shall be placed so that it can be seen from all directions from where it is possible to access the dangerous area.

If photocells are used as muting sensors, the sensor receivers should be assembled on the light curtain's transmitter side to minimize the interference risk.

The system is protected against dangerous functions caused by damage on the transmitter cable and/or the receiver cable. However, we recommend that the cables be protected so that physical damage to them can be minimized.

## Focus Modular Muting Capabilities

The Focus Safety Light Curtain offers the selection of complete muting of the protective field during the in and out passage of material. Through dipswitch settings in the Focus standard version, it is also capable of muting only specific modules within the protective field.

The Focus is capable of muting independent beam module packets or a combination of them (up to 4).

For example, a box travels down a conveyor and instead of muting the entire light curtain you can mute only modules 1 and 2 — which equates to the height of the box — allowing continual protection on the remaining Safety Light Curtain modules.

The module size is directly dependent on the Focus Light Curtain resolution and length.

## Muting with MF-T and MF-L Units

MF-T and MF-L are muting units with integrated photocells in the same profile type as the Focus Light Curtain/Grid. No additional sensors are required because the muting units contain the required components. MF-T/MF-L is connected directly to Focus with M12 connectors.

### MF-T (Option 1)

MF-T contains four photocells — A1, B1, B2 and A2 — arranged as shown. they are configured for installations where material is transported “in” or “out”—or in both directions “in and out”.

**Note:** All standard Focus Light Curtains/Grids are delivered connected to function together with the MF-T.

### MF-L (Option 2)

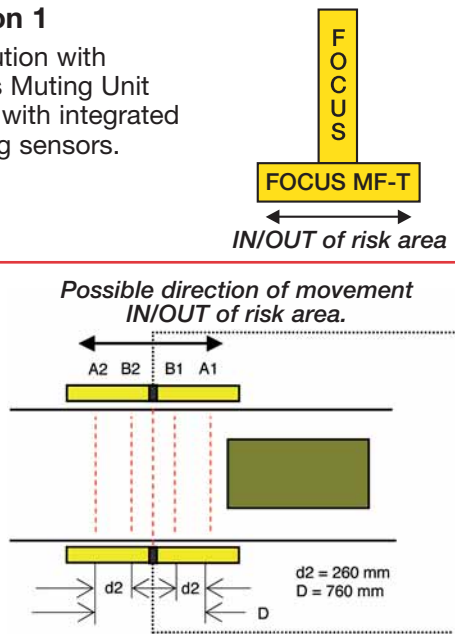
MF-L contains two photocells — A1 and B1— which are actuated before and by material exiting through the light curtain/grid. The light curtain/grid remains bypassed just prior to the exit of the material.

**Note:** MF-L Reflex unit is primarily intended for material transport “out” of a working area. The standard Focus Light Curtain/Grid delivered does not function together with the MF-L Reflex version. The Focus Light Curtain/Grid L version needs to be ordered separately, as well as the MF-L unit.



### Option 1

A solution with Focus Muting Unit MF-T with integrated muting sensors.

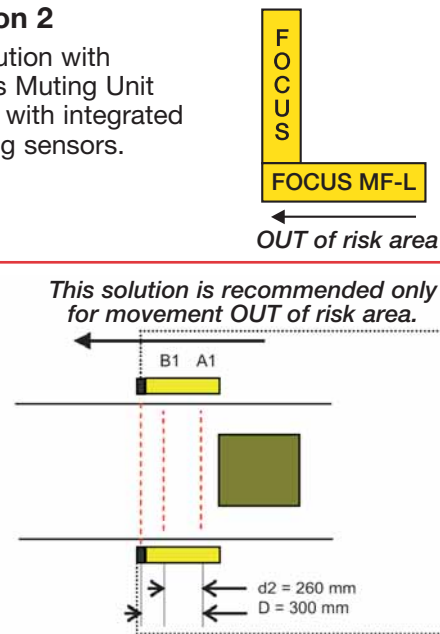


**Note:** The muting sensors A and B must be placed so that the sensor A is always activated at least 30 ms before sensor B.

D: indicates the minimum length of the material that is to actuate the muting sensors that must be maintained during the passage through the light curtain/grid.

### Option 2

A solution with Focus Muting Unit MF-L with integrated muting sensors.



**Note:** This solution is recommended only for movement OUT of risk area.

d2: indicates the measurement between the two pre-assembled muting sensors within the MF-T and MF-L (= 150mm).

## Muting with MF-T Reflex and MF-L Reflex Units

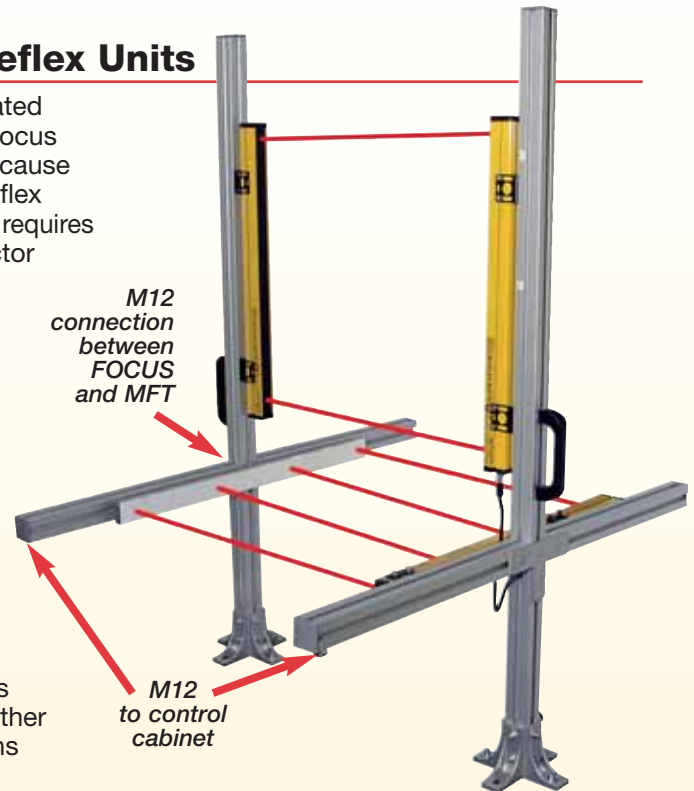
MF-T Reflex and MF-L Reflex are muting units with integrated retro-reflective photocells in the same profile type as the Focus Light Curtain/Grid. No additional sensors are required because the muting units contain the required components. The Reflex series simplifies the set up of muting sensors, as only 1 side requires a cable connection. The reflective side is a polarized reflector bar. MF-T Reflex and MF-L Reflex are connected directly to the Focus Receiver with M12 connectors.

### MF-T Reflex (Option 3)

MF-T Reflex contains four transmitters/receivers and a separate reflector unit. Range 6m. Used in the muting mode for transport of material into and/or out of hazardous areas. For other functions refer to Option 1. This unit, together with light beam F4-K1C-500 provides electrical connections on only one side.

### MF-L Reflex (Option 4)

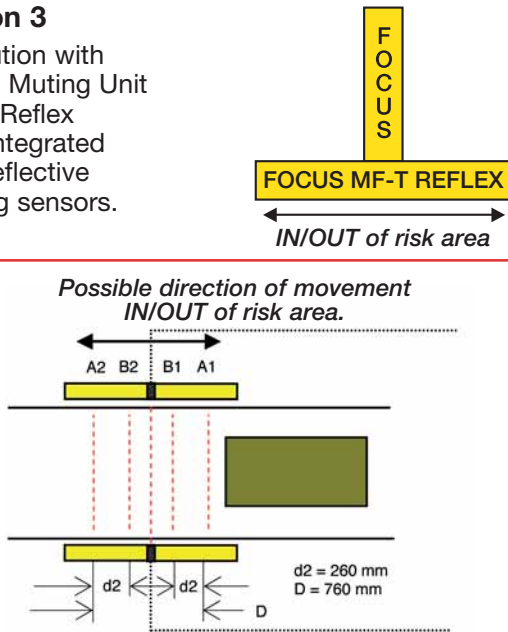
MF-L Reflex contains two transmitters/receivers and a separate reflector unit. Range 6m. Used in the muting mode for transport of material into and/or out of hazardous areas. For other functions refer to Option 2. This unit, together with light beam F4-K1C-500 provides electrical connections on only one side.



**Note:** MF-L Reflex unit is primarily intended for material transport "out" of a working area. The standard Focus Light Curtain/Grid delivered does not function together with the MF-L Reflex version. The Focus Light Curtain/Grid L version needs to be ordered separately, as well as the MF-L unit.

#### Option 3

A solution with Focus Muting Unit MF-T Reflex with integrated retroreflective muting sensors.

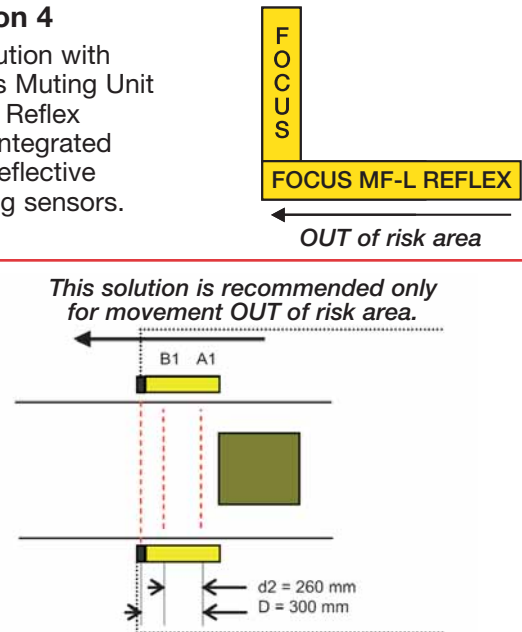


**Note:** The muting sensors A and B must be placed so that the sensor A is always activated at least 30 ms before sensor B.

D: indicates the minimum length of the material that is to actuate the muting sensors that must be maintained during the passage through the light curtain/grid.

#### Option 4

A solution with Focus Muting Unit MF-L Reflex with integrated retroreflective muting sensors.



**Note:** This solution is recommended only for movement OUT of risk area.

d2: indicates the measurement between the two pre-assembled muting sensors within the MF-T Reflex and MF-L Reflex (= 150mm).

## Focus Summary

### Focus Light Curtain

**Standard** Muting (bypassing) partly or completely. Supervised output for muting lamp. Override. Manually supervised or automatic reset. Time-reset.

**Option** Fixed or floating blanking.

### Muting Unit for Focus

**Standard** Muting (bypassing) of light curtain or light grid in one or two directions (L-form, T-form). The unit is connected directly to the light curtain/grid via an M12 connection.



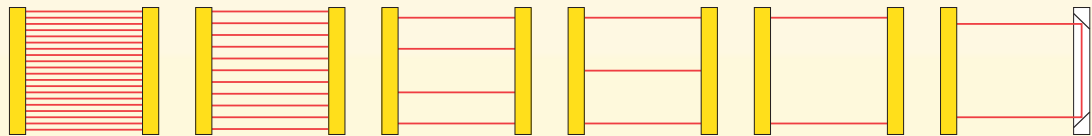
*Muting unit MF-T with four beams connected directly to the bottom of a light grid with an M12 connection. The entire T-unit is then connected with an M12 connection on the muting unit.*

### Focus Light Grid

**Standard** Muting (bypassing) of one, two, three or four beams. Supervised output for muting lamp. Override. Manually supervised or automatic reset. Time-reset.

### FMC Focus Muting Connector with M12 Connection

**Standard** FMC is a small, optimized connection block with M12 inputs. FMC is used for M12 connection of muting sensors, muting lamp, re-reset (for time reset), reset button with indication, override and safety outputs.



| Type                         | F4-14-XXX      | F4-35-XXX      | F4-KX4-XXX     | F4-KX3-800     | F4-KX2-500     | F4-K1C-500     |
|------------------------------|----------------|----------------|----------------|----------------|----------------|----------------|
| Resolution (mm)              | 14             | 35             | 300/400        | 400/450        | 500/600        | 500            |
| Protection Field Height (mm) | 150 - 2400     | 150 - 2400     | 900/1200       | 800/900        | 500/600        | 500            |
| Range (m)                    | 6              | 15             | 25 or 50       | 25 or 50       | 25 or 50       | 6              |
| Response Time (ms)           | 15 - 60        | 14 - 36        | 14             | 14             | 14             | 14             |
| Manual Reset                 | •              | •              | •              | •              | •              | •              |
| Automatic Reset              | •              | •              | •              | •              | •              | •              |
| Time Reset                   | •              | •              | •              | •              | •              | •              |
| Muting Inputs (Bypassing)    | •              | •              | •              | •              | •              | •              |
| Supervision of Muting Lamp   | •              | •              | •              | •              | •              | •              |
| Override                     | •              | •              | •              | •              | •              | •              |
| MF-T                         | •              | •              | •              | •              | •              | •              |
| MF-L                         | ✖ <sup>1</sup> | ✖ <sup>1</sup> | ✖ <sup>1</sup> | ✖ <sup>1</sup> | ✖ <sup>1</sup> | ✖ <sup>1</sup> |
| Floating Blanking            | ✖ <sup>2</sup> | ✖ <sup>2</sup> |                |                |                |                |
| Fixed Blanking               | ✖ <sup>2</sup> | ✖ <sup>2</sup> |                |                |                |                |
| Dynamic Adaption to Vital    | ✖ <sup>3</sup> | ✖ <sup>3</sup> | ✖ <sup>3</sup> | ✖ <sup>3</sup> | ✖ <sup>3</sup> | ✖ <sup>3</sup> |

• Standard

✖<sup>1</sup> When ordering add (-L).

✖<sup>2</sup> When ordering add (-FB).

✖<sup>3</sup> With Tina 10A/10B/10C or FMC\_Tina.

## Focus Ordering Data

### Safety Light Curtains

To create a complete Focus Safety Light Curtain Part Number, simply fill in the fields below.

F4 -      -      -       
(A)      (B)      (C)

**A** This letter represents the effective resolution of the Focus Safety Light Curtain.

|    |  |
|----|--|
| 14 | 14mm (0.55") resolution for Finger Detection |
| 35 | 35mm (1.38") resolution for Hand Detection   |

**B** This letter represents the protective height of the Focus Safety Light Curtain.

|      |                 |      |                 |
|------|-----------------|------|-----------------|
| 150  | 150mm ( 5.91")  | 1350 | 1350mm (53.15") |
| 300  | 300mm (11.81")  | 1500 | 1500mm (59.06") |
| 450  | 450mm (17.72")  | 1650 | 1650mm (64.96") |
| 600  | 600mm (23.62")  | 1800 | 1800mm (70.87") |
| 750  | 750mm (29.53")  | 1950 | 1950mm (76.77") |
| 900  | 900mm (35.43")  | 2100 | 2100mm (82.68") |
| 1050 | 1050mm (41.34") | 2250 | 2250mm (88.58") |
| 1200 | 1200mm (47.24") | 2400 | 2400mm (94.49") |

**C** This letter represents the functionality package of the Focus Safety Light Curtain.

|         |  |
|---------|--|
| (blank) | Modular Muting - No Blanking<br>Pre-reset Standard Package |
| FB      | Complete Muting and Blanking                               |
| L       | Program for Single Direction<br>MF-L Muting Capabilities   |

#### Example

F4 - 35 - 1200 - FB  
(A)      (B)      (C)

Focus category 4 Light Curtain with 35 mm resolution and 1200 mm protected height. Fixed and floating blanking function package.

### Safety Light Grids

To create a complete Focus Safety Light Grid Part Number, simply fill in the fields below.

F4 - K -      -      -       
(A)      (B)      (C)

**A** This letter represents the effective range of the Focus Safety Light Grid.

|         |                           |
|---------|---------------------------|
| (blank) | 4m to 50m (13' to 164')   |
| L       | 0.5m to 25m (1.5' to 82') |

**B** This letter represents the number of beams and the protective height of the Focus Safety Light Grid.

|         |  |
|---------|--|
| 4-900   | 4 beams spaced 300mm (11.81") apart with 900mm (35.43") protective height  |
| 4-1200  | 4 beams spaced 400mm (15.75") apart with 1200mm (47.24") protective height |
| 3-900*  | 3 beams spaced 450mm (17.72") apart with 900mm (35.43") protective height  |
| 3-800** | 3 beams spaced 400mm (15.75") apart with 800mm (31.50") protective height  |
| 2-600*  | 2 beams spaced 600mm (23.62") apart with 600m (23.62") protective height   |
| 2-500** | 2 beams spaced 500mm (19.69") apart with 500m (19.69") protective height   |

\* North American Standard    \*\* European Standard

**C** This letter represents the functionality package of the Focus Safety Light Grid.

|         |  |
|---------|--|
| (blank) | Modular Muting Standard Pkg                              |
| L       | Program for Single Direction<br>MF-L Muting Capabilities |

#### Example

F4 - K - L - 4-1200 - L  
(A)      (B)      (C)

Focus category 4 Light Grid with 4 beams spaced 400 mm apart and 1200 mm protected height. Built-in complete modular muting.

Note: Kits include mounting hardware, brackets and manual. Cables and optional interface units are sold separately. See pages 32-34.



# Bjorn

## A Strong Support for Light Grids and Mirrors

Bjorn is a very stable and flexible stand system in which Focus Safety Light Beams and Mirrors are mounted in the stand. The hardware for the mirrors in the stand can be turned to provide either vertical or horizontal angles. The robust material of the Bjorn protects Focus units from direct collisions, thus preventing unnecessary material damage and halts in production.

### Applications

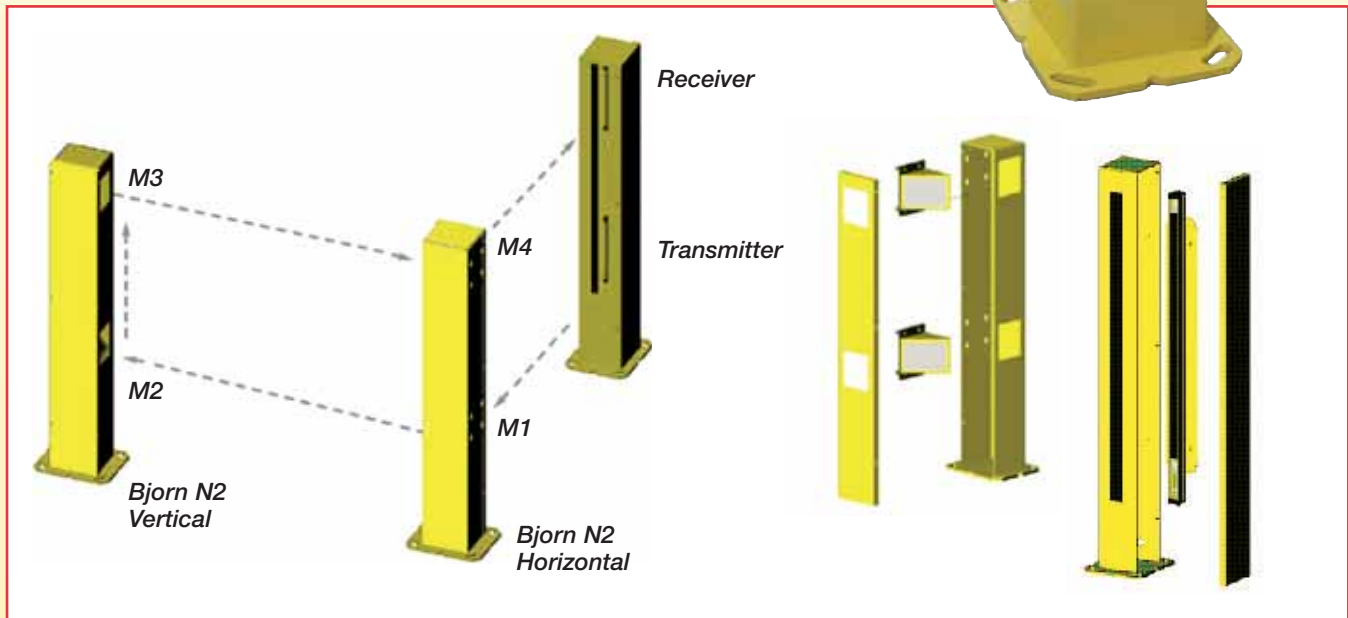
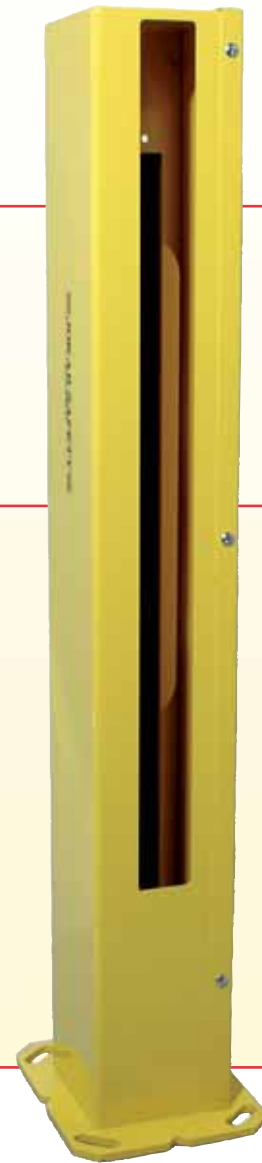
Protects mirrors and light beams

### Features

- Robust
- Adjustable

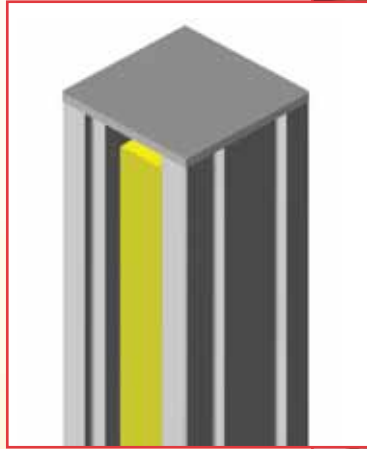
### Bjorn Technical Data

|  |                                 |
|--|---------------------------------|
| <b>Manufacturer</b> .....                  | JOKAB SAFETY                    |
| <b>Ordering Data/Article Numbers</b> ..... | see page 27-28                  |
| <b>Color</b> .....                         | yellow powder-coated (RAL 1018) |
| <b>Material</b> .....                      | 3mm steel                       |
| <b>Dimensions</b>                          |                                 |
| Cross-Section.....                         | 146mm x 130mm                   |
| Raised Stand - H2 Two-Beam.....            | 1000mm                          |
| H3 Three-Beam.....                         | 1230mm                          |
| H4 Four-Beam.....                          | 1330mm                          |
| Foot.....                                  | 230mm x 190mm                   |
| <b>Weight</b>                              |                                 |
| H2, N2.....                                | 15 kg/st                        |
| H3.....                                    | 17 kg/st                        |
| H4.....                                    | 19 kg/st                        |
| <b>Protection</b>                          |                                 |
| Against water and dust.....                | 20%                             |



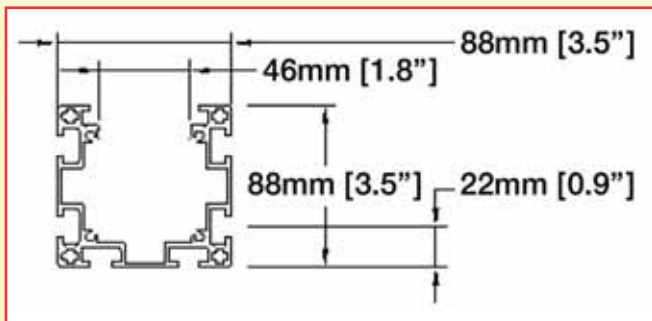
# Keppguard Protective Machine Mounted Enclosures

Keppguard is an extruded aluminum protective housing for Focus Light Curtains/Grids for machine mounted applications. Keppguard has been designed to absorb impact hits while still offering secure protection for the enclosed safety device. Protective front 5mm thick polycarbonate lens and stamped aluminum end caps are included for additional, optional protection.



## Keppguard Technical Data

|  |                           |
|--|---------------------------|
| <b>Manufacturer</b> .....                  | JOKAB SAFETY              |
| <b>Ordering Data/Article Numbers</b> ..... | see page 28-29            |
| <b>Color/Material</b>                      |                           |
| End Caps.....                              | yellow polyamide          |
| Lens.....                                  | 5mm polycarbonate         |
| Housing.....                               | natural anodized aluminum |
| <b>Dimensions</b>                          |                           |
| Cross-Section.....                         | 88mm x 88mm               |
| Overall Length - Keppguard 300.....        | 431mm                     |
| Keppguard 450.....                         | 578mm                     |
| Keppguard 600.....                         | 725mm                     |
| Keppguard 750.....                         | 872mm                     |
| Keppguard 900.....                         | 1019mm                    |
| Keppguard 1050.....                        | 1166mm                    |
| Keppguard 1200.....                        | 1312mm                    |
| Keppguard 1350.....                        | 1460mm                    |



## Applications

Protects light curtains/grids or muting sensor bars from impact hits.

## Features

- Robust for rugged environments
- Adjustable with 3 sides for T-slot mounting
- Easily mounts to QuickGuard® fencing, QuickGuard® Express Fencing or machine frames
- Natural Anodized Aluminum

# Wet Wash Down Tubes Protection against Water and Dust

Wet Wash Down Tubes are used for protection against water (or dust) where extreme washing conditions are encountered. The protective encapsulation rating (IP68) now enables Focus Light Curtains and Light Beams to be used for such applications as the food industry, where the use of high pressure washing for cleaning machinery often occurs. The draining and through ventilation capabilities mean that condensation can be avoided.

Wet, with Focus Light Curtains/Beams, is pre-assembled complete with cabling on request. During installation on a machine, a Wet unit can be adjusted by +/- 20° with the accompanying angle bracket. The plastic tube is rotatable and the outside is easy to clean.



## Applications

Protection in severe environments

## Features

- Adjustable +/-20°
- Rotatable and replaceable
- Capable of draining and through ventilation

## Wet Technical Data

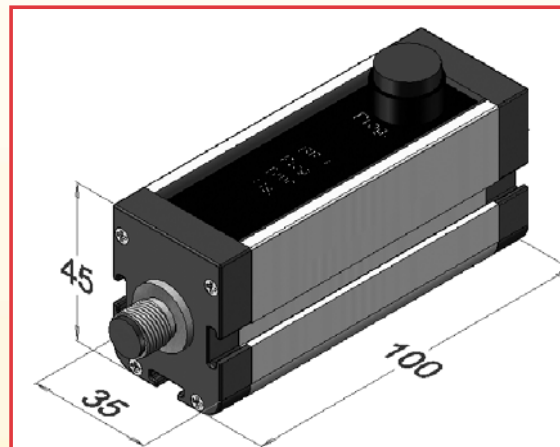
|  |                           |
|--|---------------------------|
| <b>Manufacturer</b> .....                  | JOKAB SAFETY              |
| <b>Ordering Data/Article Numbers</b> ..... | see page 29               |
| <b>Color</b> .....                         | transparent plastic       |
| <b>Length including Lid</b> .....          | 66mm + light curtain/beam |
| <b>Material</b>                            |                           |
| Tube.....                                  | PC                        |
| Lid.....                                   | PEHD-300                  |
| <b>Maximum Ambient Temperature</b> .....   | +55°C                     |
| <b>Installation Adjustment</b> .....       | +/-20°                    |
| <b>Protection Class</b> .....              | IP68                      |

## BP1 Blanking Programmer A Quick Way to Program Blanking

A dipswitch at the cable connection of the light curtain receiver enables a choice of whether a blanking function is to be used. Once this choice has been made, programming of the unit in the light field is made easy by using the Blanking Programmer BP1.

If the extent of the object in the protected field then changes, the light curtain can be reprogrammed — only 11 seconds after the push button on the front of the BP1 has been pressed.

The BP1 is easily connected, in series with the cable to the light curtain receiver unit, using the M12 connector and the free length of the unit's cable.



*The BP1 must be removed before power is applied to the machine controls.*



## JSRL-3 Laser Aligner

The JSRL-3 Laser Aligner facilitates alignment of light beams or light curtains, particularly when the solution involves one or more mirrors.

The JSRL-3 is simply secured by the accompanying elasticated tape around the transmitter and receiver unit, which must be located so that the flat rear of the unit is up against the front glass of the light curtain. When the Laser Aligner is switched on, the red laser spot must be visible — if appropriate via a mirror — at the corresponding unit.

The JSRL-3 contains two type AAA batteries that are changed by unscrewing the bottom end lid.



# FSTR1 Muting Sensors Retro/Reflective with Polarizing Filters

## Features

- Adjustable Range
- Light reserve warning indicator
- Transistor output, PNP
- 1000 Hz switching frequency
- Short-circuit protection, reverse polarity protection and power-up output suppression
- M12 connector
- EMC tested according to IEC 801 and EN 50081-1/En 50082-2



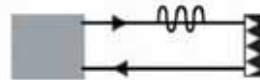
## Approvals



## FSTR1 Technical Data

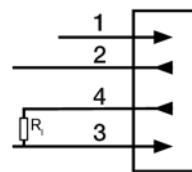
|  |  |
|--|--|
| Manufacturer.....                        | JOKAB SAFETY   |
| Ordering Data/Article Numbers.....       | see page 31  |
| Weight.....                              | approx. 15 g   |
| Output.....                              | PNP, dark on   |
| Connection.....                          | M12 connector  |
| Range Adjustment.....                    | Yes  |
| Range.....                               | 0.15 - 2.5 m (with reflector FZR 1)<br>0.15 - 5 m (with reflector FZR 2) |
| Light Source.....                        | Visible-red, 660 nm,<br>pulsed with polarizing filter                    |
| Supply Voltage.....                      | 10 - 30 VDC  |
| Allowable Ripple.....                    | +/- 10% of $U_s$   |
| Current Consumption<br>without Load..... | <15 mA   |
| Maximum Load Current.....                | 100 mA   |
| Residual Voltage.....                    | <1.6V  |
| Maximum Switching Frequency.....         | 1000 Hz  |
| Temperature (Operating and Storage)..... | -25°C to +65°C   |
| Protection Class.....                    | IP67   |

*Note: All technical data at 25°C and 24V*



10 - 30 VDC  
PNP, Dark-on output

### PNP Output

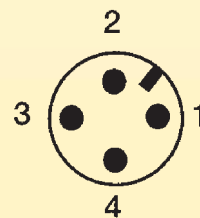


1 (+) Supply voltage 10 - 30 V  
4 Dark-on output  
3 (-) Supply voltage

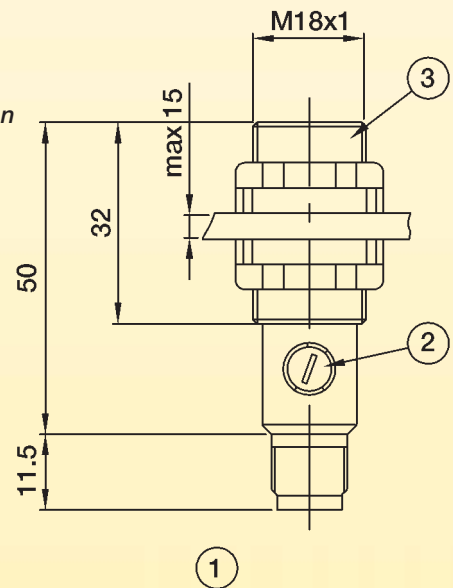
### Dark-on Output

The output is activated when an object interrupts the light.

### M12 Connector



- 1 Connector M12
- 2 Range adjustment and function indicator
- 3 Plastic housing



# JS OBP800 Muting Sensors Diffuse/Reflective with Background Rejection

## Features

- Electronically adjustable background rejection
- Light reserve warning indicator
- Dual transistor outputs, PNP
- Short-circuit protection, reverse polarity protection and power-up output suppression
- Rotatable M12 connector
- EMC tested according to IEC 801 and EN 50081-1/EN 50082-2

## Approvals

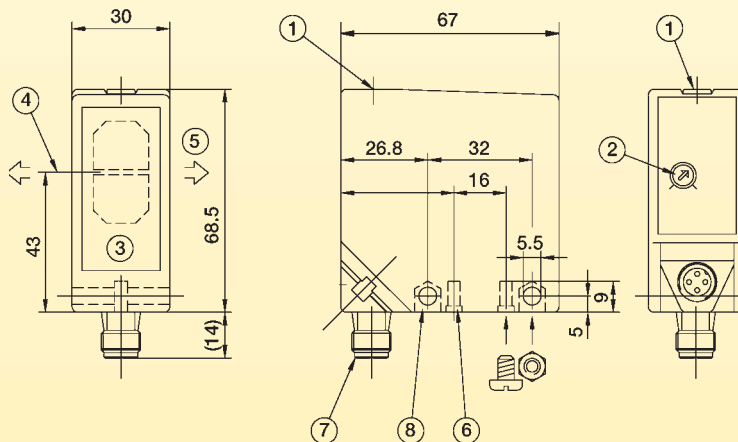
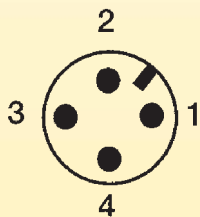


## JS OBP800 Technical Data

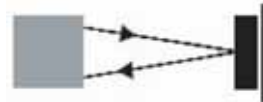
|  |                              |
|--|------------------------------|
| Manufacturer.....                        | JOKAB SAFETY                 |
| Ordering Data/Article Numbers.....       | see page 31                  |
| Weight.....                              | approx. 130 g                |
| Output.....                              | 2 PNP (light-on and dark-on) |
| Connection.....                          | M12 connector                |
| Range Adjustment.....                    | Yes                          |
| Range.....                               | 0.2 - 0.8 m                  |
| Light Source.....                        | Infrared-LED, 880 nm, pulsed |
| Supply Voltage.....                      | 10 - 30 VDC                  |
| Allowable Ripple.....                    | +/- 10% of $U_s$             |
| Current Consumption without Load.....    | <35 mA                       |
| Maximum Load Current.....                | 200 mA                       |
| Residual Voltage.....                    | <1.6V                        |
| Maximum Switching Frequency.....         | 200 Hz                       |
| Temperature (Operating and Storage)..... | 25°C to +65°C                |
| Protection Class.....                    | IP67                         |

*Note: All technical data at 25°C and 24V*

## M12 Connector

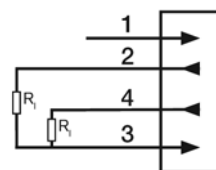


- 1 Function indicator
- 2 Range adjustment
- 3 Glass-covered optics
- 4 Center of the optical axis
- 5 Preferred detection direction
- 6 Bore for 5mm self-tapping screw
- 7 M12 Connector
- 8 Opening for M5 nut



10 - 30 VDC  
PNP, Light-on output  
Dark-on output

## PNP Output



- 1 (+) Supply voltage 10 - 30 V
- 2 Dark-on output
- 4 Light-on output
- 3 (-) Supply voltage

## Light-on Output

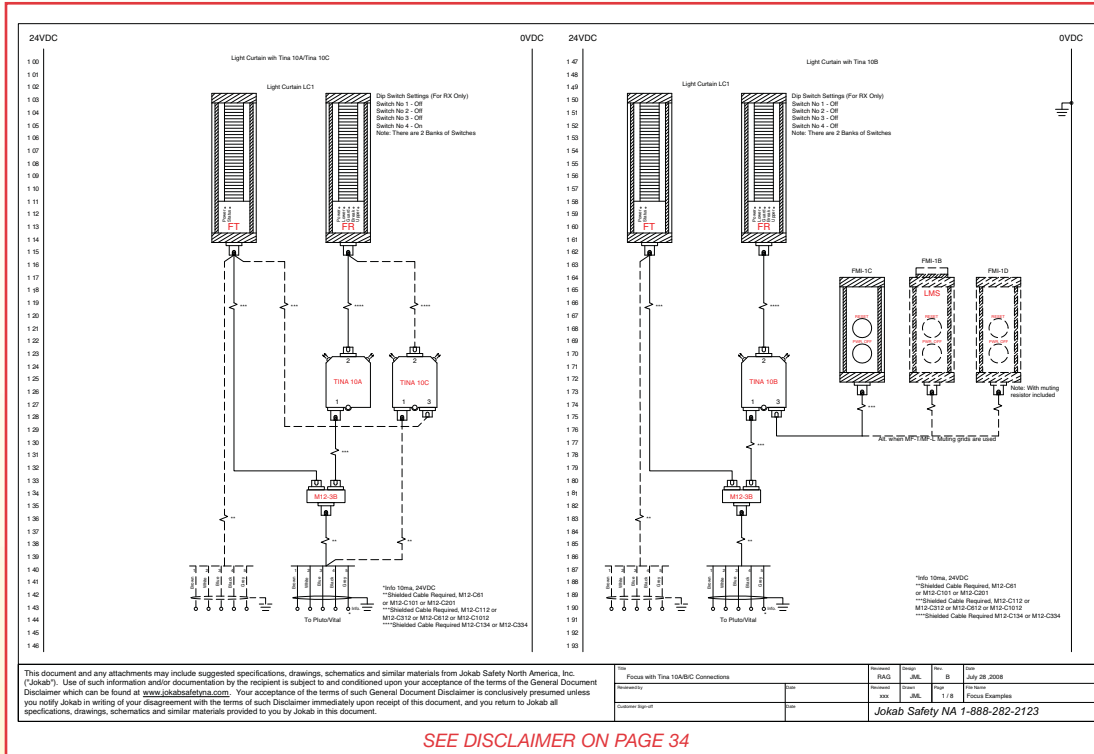
Output energized when object is present.

## Dark-on Output

Output energized when no object is present.

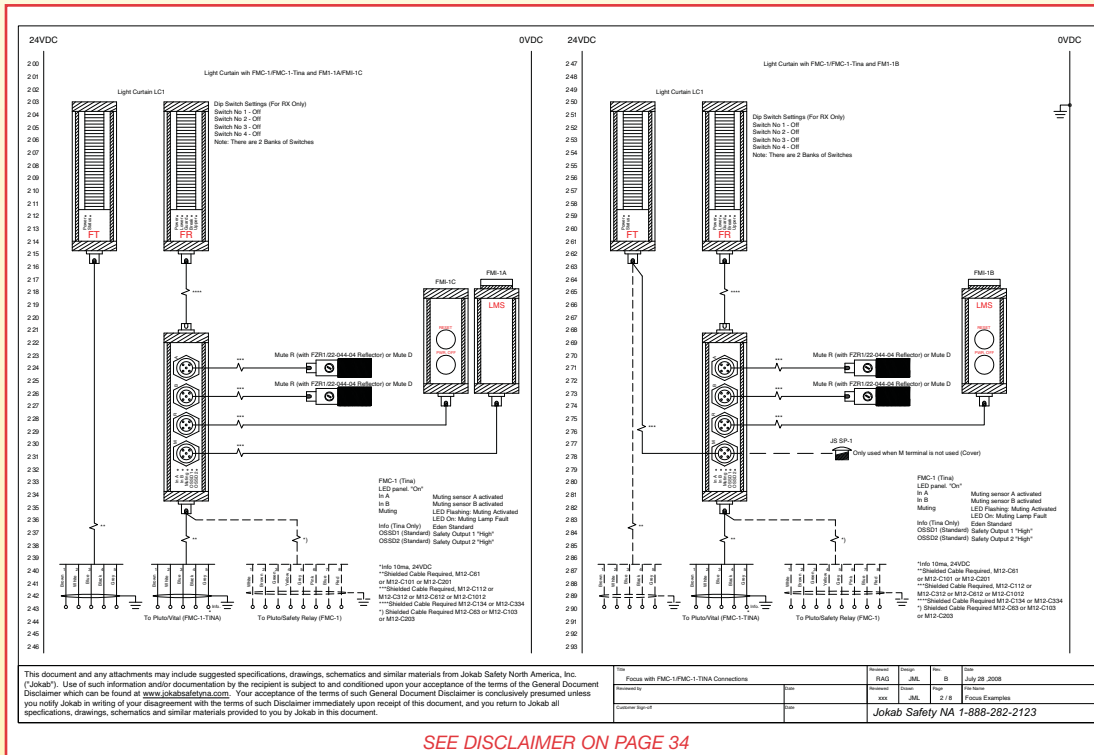
# Connection Example

## Focus with Tina 10A/B/C Connections



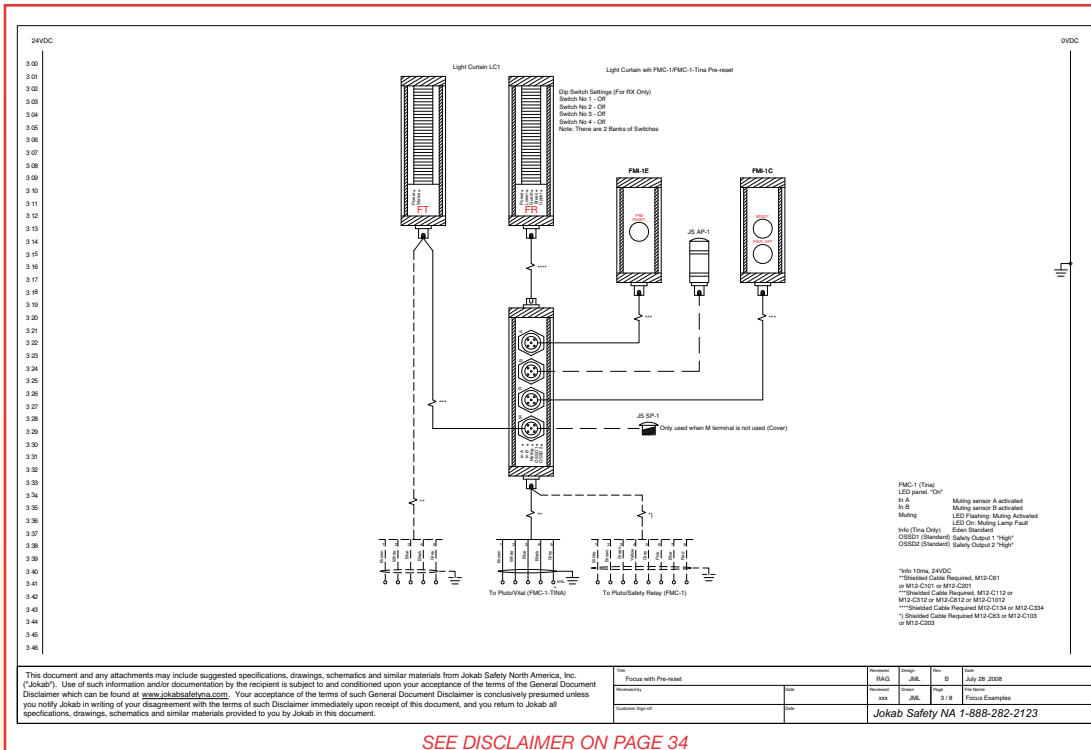
# Connection Example

## Focus with FMC-1/FMC-1-Tina Connections



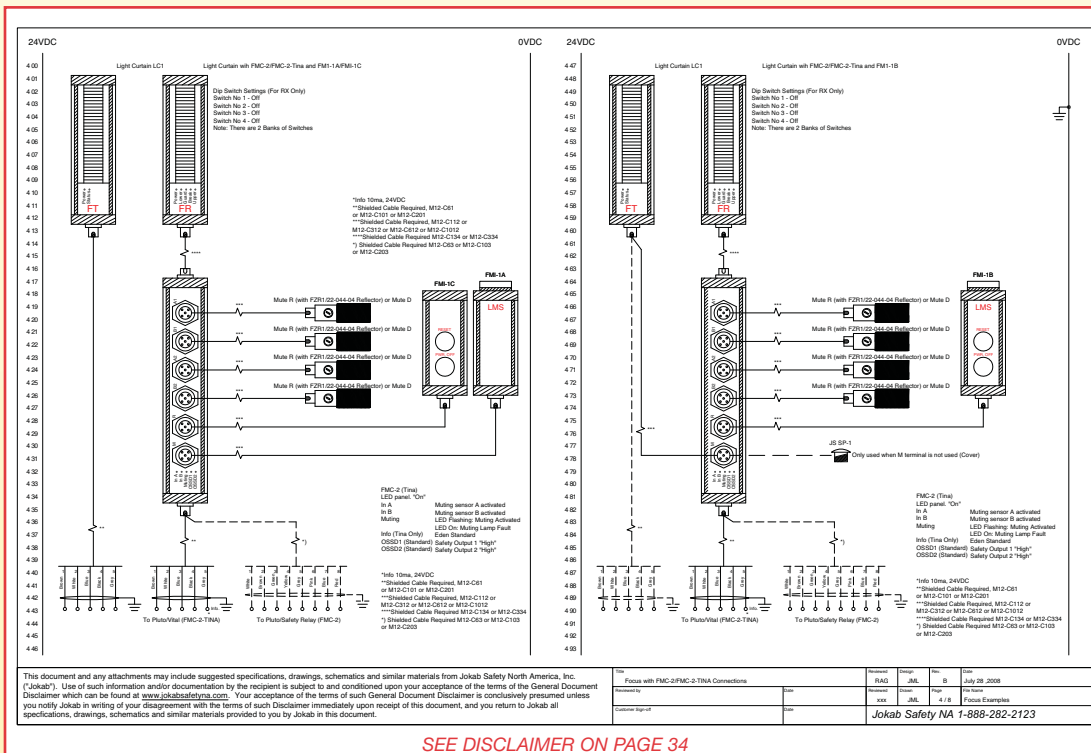
# Connection Example

## Focus with Pre-reset



# Connection Example

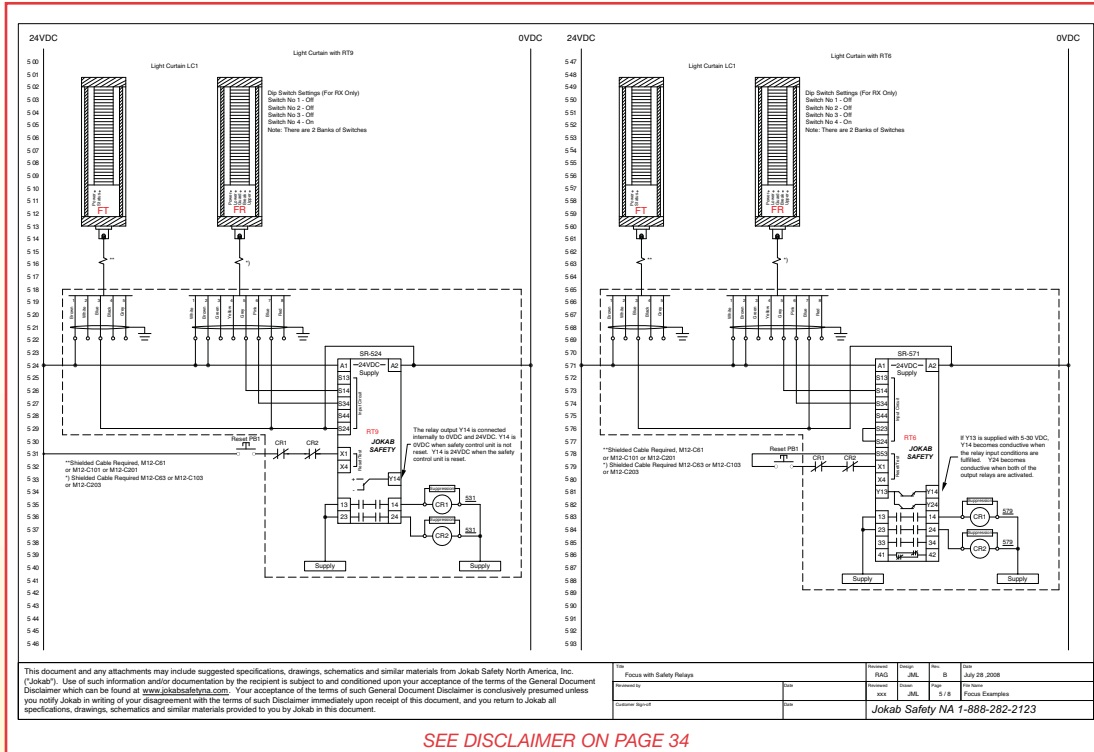
## Focus with FMC-2/FMC-2-Tina Connections





# Connection Example

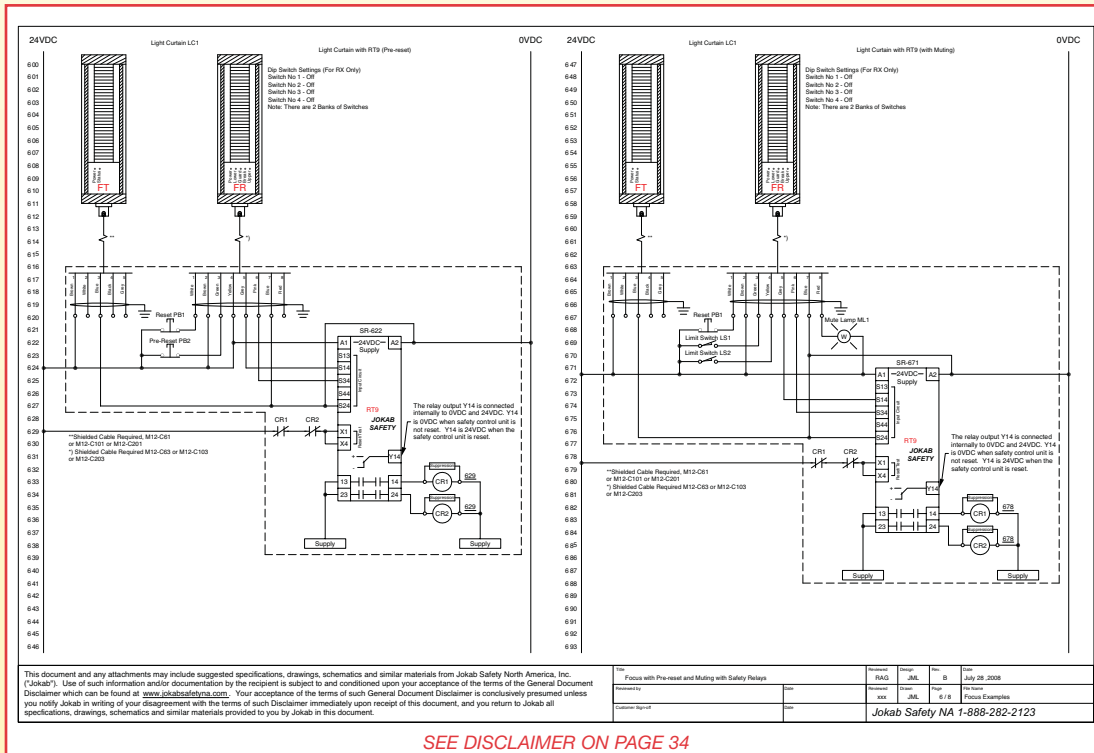
## Focus with Safety Relays



SEE DISCLAIMER ON PAGE 34

# Connection Example

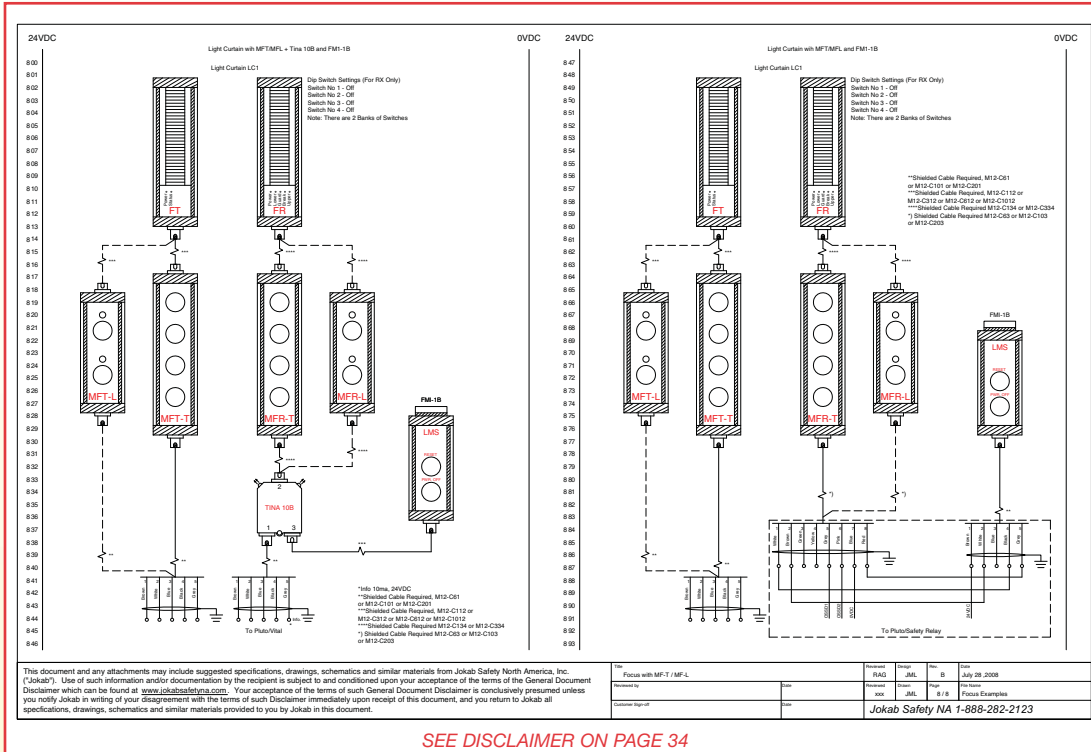
## Focus with Pre-Reset and Muting with Safety Relays



SEE DISCLAIMER ON PAGE 34

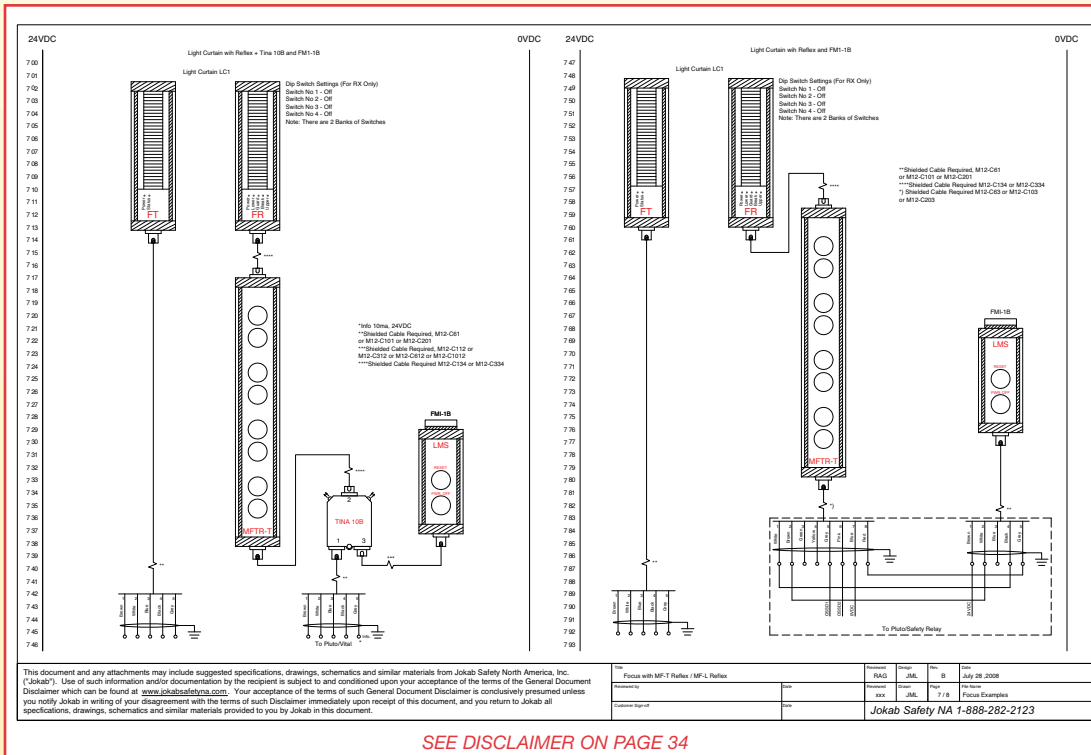
# Connection Example

## Focus with MF-T/MF-L



# Connection Example

## Focus with MF-T/MF-L



## Component List - Mirrors

| Designation   | Article Number | Description  |
|---------------|----------------|--|
| MF-150        | 22-041-01      | Focus Light Curtain Mirror, For use with 150mm Focus Safety Light Curtains.                              |
| MF-300        | 22-041-02      | Focus Light Curtain Mirror, For use with 300mm Focus Safety Light Curtains.                              |
| MF-450        | 22-041-03      | Focus Light Curtain Mirror, For use with 450mm Focus Safety Light Curtains..                             |
| MF-600        | 22-041-04      | Focus Light Curtain Mirror, For use with 600mm Focus Safety Light Curtains.                              |
| MF-750        | 22-041-05      | Focus Light Curtain Mirror, For use with 750mm Focus Safety Light Curtains.                              |
| MF-800        | 22-041-06      | Focus Light Curtain Mirror, For use with 800mm Focus Safety Light Curtains.                              |
| MF-900        | 22-041-07      | Focus Light Curtain Mirror, For use with 900mm Focus Safety Light Curtains.                              |
| MF-1200       | 22-041-08      | Focus Light Curtain Mirror, For use with 1200mm Focus Safety Light Curtains.                             |
| MF-1500       | 22-041-09      | Focus Light Curtain Mirror, For use with 1500mm Focus Safety Light Curtains.                             |
| MF-1650       | 22-041-10      | Focus Light Curtain Mirror, For use with 1650mm Focus Safety Light Curtains.                             |
| MF-1800       | 22-041-11      | Focus Light Curtain Mirror, For use with 1800mm Focus Safety Light Curtains.                             |
|               | 22-041-20      | Brackets for MF mirrors for mounting to Quick Guard extruded aluminum. 2 required for each mirror.       |
| JSNA-FOCUS-MC | 50-010-09      | 2000mm Quick Guard Stand 44mm x 88mm Light Curtain/Mirror mounting post with endcaps and 2 floor mounts. |

## Component List - Bjorn Support for Light Grids and Mirrors

| Designation | Article Number | Description   |
|-------------|----------------|---|
| Bjorn H2    | 22-041-40      | Protective floor mounted housing for 2 horizontally mounted single beam mirrors. 3mm yellow powder-coated (RAL 1018) 1000mm tall steel enclosure. |
| Bjorn V2    | 22-041-41      | Protective floor mounted housing for 2 vertically mounted single beam mirrors. 3mm yellow powder-coated (RAL 1018) 1000mm tall steel enclosure.   |
| Bjorn H3    | 22-041-42      | Protective floor mounted housing for 3 horizontally mounted single beam mirrors. 3mm yellow powder-coated (RAL 1018) 1230mm tall steel enclosure. |
| Bjorn H4-1  | 22-041-43      | Protective floor mounted housing for 4 horizontally mounted single beam mirrors. 3mm yellow powder-coated (RAL 1018) 1330mm tall steel enclosure. |
| Bjorn H4-2  | 22-041-44      | Protective floor mounted housing for 4 horizontally mounted single beam mirrors. 3mm yellow powder-coated (RAL 1018) 1600mm tall steel enclosure. |

## Component List - Bjorn (continued)

| Designation | Article Number | Description   |
|-------------|----------------|---|
| Bjorn N2    | 22-041-45      | Protective floor mounted housing for 1 vertically mounted Focus Light Curtain or Grid. 3mm yellow powder-coated (RAL 1018) 1000mm tall steel enclosure. |

## Component List - Kepguard Protective Machine Mounted Enclosures

| Designation   | Article Number | Description   |
|---------------|----------------|---|
| Kepguard-300  | 50-010-91      | Protective housing for the Focus 300mm Light Curtain. 88x88mm extruded natural anodized aluminum with inside 16x44mm aluminum mounting plate. Protective stamped aluminum end cap and 5mm thick protective polycarbonate front lens.  |
| Kepguard-450  | 50-010-92      | Protective housing for the Focus 450mm Light Curtain. 88x88mm extruded natural anodized aluminum with inside 16x44mm aluminum mounting plate. Protective stamped aluminum end cap and 5mm thick protective polycarbonate front lens.  |
| Kepguard-600  | 50-010-93      | Protective housing for the Focus 600mm Light Curtain. 88x88mm extruded natural anodized aluminum with inside 16x44mm aluminum mounting plate. Protective stamped aluminum end cap and 5mm thick protective polycarbonate front lens.  |
| Kepguard-750  | 50-010-94      | Protective housing for the Focus 750mm Light Curtain. 88x88mm extruded natural anodized aluminum with inside 16x44mm aluminum mounting plate. Protective stamped aluminum end cap and 5mm thick protective polycarbonate front lens.  |
| Kepguard-900  | 50-010-95      | Protective housing for the Focus 900mm Light Curtain. 88x88mm extruded natural anodized aluminum with inside 16x44mm aluminum mounting plate. Protective stamped aluminum end cap and 5mm thick protective polycarbonate front lens.  |
| Kepguard-1050 | 50-010-96      | Protective housing for the Focus 1050mm Light Curtain. 88x88mm extruded natural anodized aluminum with inside 16x44mm aluminum mounting plate. Protective stamped aluminum end cap and 5mm thick protective polycarbonate front lens. |
| Kepguard-1200 | 50-010-97      | Protective housing for the Focus 1200mm Light Curtain. 88x88mm extruded natural anodized aluminum with inside 16x44mm aluminum mounting plate. Protective stamped aluminum end cap and 5mm thick protective polycarbonate front lens. |
| Kepguard-1350 | 50-010-98      | Protective housing for the Focus 1350mm Light Curtain. 88x88mm extruded natural anodized aluminum with inside 16x44mm aluminum mounting plate. Protective stamped aluminum end cap and 5mm thick protective polycarbonate front lens. |
| Kepguard-1500 | 50-010-99      | Protective housing for the Focus 1500mm Light Curtain. 88x88mm extruded natural anodized aluminum with inside 16x44mm aluminum mounting plate. Protective stamped aluminum end cap and 5mm thick protective polycarbonate front lens. |
| Kepguard-1650 | 50-110-00      | Protective housing for the Focus 1650mm Light Curtain. 88x88mm extruded natural anodized aluminum with inside 16x44mm aluminum mounting plate. Protective stamped aluminum end cap and 5mm thick protective polycarbonate front lens. |

## Component List - Kepguard (continued)

| Designation          | Article Number | Description   |
|----------------------|----------------|---|
| <b>Kepguard-1800</b> | 50-110-01      | Protective housing for the Focus 1800mm Light Curtain. 88x88mm extruded natural anodized aluminum with inside 16x44mm aluminum mounting plate. Protective stamped aluminum end cap and 5mm thick protective polycarbonate front lens. |
| <b>Kepguard-1950</b> | 50-110-02      | Protective housing for the Focus 1950mm Light Curtain. 88x88mm extruded natural anodized aluminum with inside 16x44mm aluminum mounting plate. Protective stamped aluminum end cap and 5mm thick protective polycarbonate front lens. |
| <b>Kepguard-2100</b> | 50-110-03      | Protective housing for the Focus 2100mm Light Curtain. 88x88mm extruded natural anodized aluminum with inside 16x44mm aluminum mounting plate. Protective stamped aluminum end cap and 5mm thick protective polycarbonate front lens. |
| <b>Kepguard-2250</b> | 50-110-04      | Protective housing for the Focus 2250mm Light Curtain. 88x88mm extruded natural anodized aluminum with inside 16x44mm aluminum mounting plate. Protective stamped aluminum end cap and 5mm thick protective polycarbonate front lens. |
| <b>Kepguard-2400</b> | 50-110-00      | Protective housing for the Focus 2400mm Light Curtain. 88x88mm extruded natural anodized aluminum with inside 16x44mm aluminum mounting plate. Protective stamped aluminum end cap and 5mm thick protective polycarbonate front lens. |

## Component List - Wet Wash Down Tubes

| Designation      | Article Number | Description  |
|------------------|----------------|--|
| <b>WET-150</b>   | 22-038-00      | Wash down tube kit for use with 150mm Focus Safety Light Curtains.     |
| <b>WET-300</b>   | 22-038-01      | Wash down tube kit for use with 300mm Focus Safety Light Curtains.     |
| <b>WET-450</b>   | 22-038-02      | Wash down tube kit for use with 450mm Focus Safety Light Curtains.     |
| <b>WET-600</b>   | 22-038-03      | Wash down tube kit for use with 600mm Focus Safety Light Curtains.     |
| <b>WET-750</b>   | 22-038-04      | Wash down tube kit for use with 750mm Focus Safety Light Curtains.     |
| <b>WET-900</b>   | 22-038-05      | Wash down tube kit for use with 900mm Focus Safety Light Curtains.     |
| <b>WET-1050</b>  | 22-038-14      | Wash down tube kit for use with 1050mm Focus Safety Light Curtains.    |
| <b>WET-1200</b>  | 22-038-06      | Wash down tube kit for use with 1200mm Focus Safety Light Curtains.    |
| <b>WET-1350</b>  | 22-038-15      | Wash down tube kit for use with 1350mm Focus Safety Light Curtains.    |
| <b>WET-1500</b>  | 22-038-07      | Wash down tube kit for use with 1500mm Focus Safety Light Curtains.    |
| <b>WET-1650</b>  | 22-038-08      | Wash down tube kit for use with 1650mm Focus Safety Light Curtains.    |
| <b>WET-K500</b>  | 22-038-09      | Wash down tube kit for use with 500mm Focus Safety Light Grids.        |
| <b>WET-K800</b>  | 22-038-10      | Wash down tube kit for use with 800mm Focus Safety Light Grids.        |
| <b>WET-K900</b>  | 22-038-11      | Wash down tube kit for use with 900mm Focus Safety Light Grids.        |
| <b>WET-K1200</b> | 22-038-12      | Wash down tube kit for use with 1200mm Focus Safety Light Grids.       |
| <b>WET-K1C</b>   | 22-038-13      | Wash down tube kit for use with 500mm Focus Safety Light Transceivers. |

## Component List - Focus Quick Connections

| Designation       | Article Number | Description  |
|-------------------|----------------|--|
| <b>TINA 10A</b>   | 20-054-12      | Tina dynamic adapter with 5 pole M12 male quick disconnect for connecting transistor output safety devices to the Vital 1 controller. 8 pole M12 female quick disconnect for direct connection to the safety device or safety device enclosure, 24VDC supply, multi-function status indicator LEDs, integrated information output 24VDC - 10mA.  |
| <b>TINA 10B</b>   | 20-054-13      | Tina dynamic adapter with 5 pole M12 male quick disconnect for connecting transistor output safety devices to the Vital 1 controller. 8 pole M12 female quick disconnect for direct connection to the safety device or safety device enclosure. Additional 5 pole M12 connector for local reset capabilities, 24VDC supply, multi-function status indicator LEDs, integrated information output 24VDC - 10mA.                |
| <b>TINA 10C</b>   | 20-054-16      | Tina dynamic adapter with 5 pole M12 male quick disconnect for connecting transistor output safety devices to the Vital 1 controller. 8 pole M12 female quick disconnect for direct connection to the safety device or safety device enclosure. Additional 5 pole M12 connector for connection of light curtain transmitter, 24VDC supply, multi-function status indicator LEDs, integrated information output 24VDC - 10mA. |
| <b>FMC-1</b>      | 22-042-00      | Focus Muting Connector, connects from the Focus receiver. 4 M12, 5 pin female connections for 2 muting sensors, muting lamp and reset push button. M12, 8 pin male connector for machine interface.  |
| <b>FMC-1 Tina</b> | 22-045-00      | Focus Muting Connector, connects from the Focus receiver. 4 M12, 5 pin female connections for 2 muting sensors, muting lamp and reset push button. Integrated Vital Tina M12, 5 pin male connector for machine interface.  |
| <b>FMC-2</b>      | 22-042-10      | Focus Muting Connector, connects from the Focus receiver. 6 M12, 5 pin female connections for 4 muting sensors, muting lamp and reset push button. M12, 8 pin male connector for machine interface.  |
| <b>FMC-2 Tina</b> | 22-046-00      | Focus Muting Connector, connects from the Focus receiver. 6 M12, 5 pin female connections for 4 muting sensors, muting lamp and reset push button. Integrated Vital Tina M12, 5 pin male connector for machine interface.  |
| <b>FMI-1A</b>     | 22-043-00      | Focus Muting Lamp, 24VDC, 5W integrated muting lamp in a protective Focus housing.   |
| <b>FMI-1B</b>     | 22-043-01      | Focus Muting Connector, integrated 24VDC, 5W muting lamp, reset push button and power interrupt in a protective Focus housing.   |
| <b>FMI-1C</b>     | 22-043-02      | Focus Muting Connector, integrated reset push button and power interrupt in a protective Focus housing.  |
| <b>FMI-1D</b>     | 22-043-03      | Focus Muting Connector, integrated reset push button and power interrupt in a protective Focus housing. Muting resistor included.  |
| <b>FMI-1E</b>     | 22-043-04      | Focus Muting Connector, integrated reset push button for pre-reset or Tina Duo 2 in a protective Focus housing.  |
| <b>FMI-1G</b>     | 22-043-05      | Focus Muting Initiator, Integrated reset push button in a protective Focus housing. Internal resistor for muting lamp.   |
| <b>JSSP-1</b>     | 22-070-00      | FMC empty port cover.  |

## Component List - Focus Quick Connections (continued)

| Designation   | Article Number | Description  |
|---------------|----------------|--|
| JSAP-1        | 22-070-10      | FMC "R" port terminator with terminal jumpers and integrated muting resistor.  |
| FRM-1A        | 22-048-00      | Focus convertor from 2 transistor outputs to relay outputs in a protective Focus housing. M12, 8 pole male/female connectors for integration between Focus and the control circuit.  |
| M12-3A        | 20-055-00      | M12 Y Connector for series connection. 2 M12 5 pole female connectors and 1 M12 5 pole male connector.   |
| M12-3B        | 20-055-01      | M12 Y Connector for parallel connection. 2 M12 5 pole female connectors and 1 M12 5 pole male connector.   |
| M12-3D        | 20-055-03      | M12 Y Connector, parallel Connection. 1 M12 8 pole female connector for connection of the Focus Receiver, 1 M12 5 Pole female connector for connection of the Focus Transmitter and 1 M12 8 pole male connector for panel connection.                      |
| F4-TEACHBOX-1 | 50-010-05      | Focus FB version external teach box with power on - off selector switch, reset push button, 3 position momentary selector switch for teach process, 18" female 8 pole cable for Focus receiver connection and 18" male 8 pole cable for machine interface. |
| F4-TEACHBOX-4 | 50-010-07      | Focus FB version external teach box with 3 position removable keyed selector switch. Integrated reset push button, and 2 M12 8 pole connectors for connection to the Focus Receiver and the main panel.  |
| BP-1          | 22-090-23      | Focus FB version external teach box for inline connection to the Focus receiver for single push button teaching of fixed/floating blanking.  |
| JSRL3         | 20-008-02      | Laser alignment aid for Focus Light Curtains, Grids and beams. Secured by a adjustable elastic fabric band around the sensing unit. Housed in the 45mmx35mm Focus housing with two AAA batteries, included.  |

## Component List - Muting Sensors and Indicators

| Designation        | Article Number | Description  |
|--------------------|----------------|--|
| FSTR1 - Mute R     | 22-044-00      | Retro-reflective muting sensor with polarized filter. 24VDC 18mm barrel style with range adjustments from 0.15 to 5m, light reserve warning indicator, 1000Hz switching frequency and M12 4 pole male connector. |
| FZR 1              | 22-044-01      | Polarized 80mm circular reflector for use with the FSTR1 muting sensors. Offers a range of 0.15 to 2.5m. 5mm center mount through hole for mounting capabilities.  |
| FZR 2              | 22-044-04      | Polarized 100mm x 100mm reflector for use with the FSTR1 muting sensors. Offers a range of 0.15 to 5m.   |
| JS OBP800 - Mute D | 22-044-10      | Muting sensor, diffuse-reflective with back ground suppression. 24VDC, 2 pnp light, dark switching, M12 4 pin connector in a IP67 housing.   |
| JSM63              | 40-007-01      | Bracket for cubic style single beam. Fixed 90 degrees.   |
| JSM64              | 40-007-02      | Adjustable mounting bracket with rotational knuckle for 18mm barrel style sensors.   |
| JSM66              | 22-090-13      | Focus bracket, 90 degree bend, 2.5mm RF A2 painted black.  |

## Component List - Muting Sensors and Indicators (continued)

| Designation   | Article Number | Description  |
|---------------|----------------|--|
| JSM67         | 22-090-15      | Focus bracket, adjustable plastic hinge.   |
| MF-T          | 22-040-20      | Focus Muting Actuator 669mm overall length with 4 preadjusted and integrated muting sensors. Applicable for entry and exit of material through the Focus Light Curtain or Grid.  |
| MFT-T         | 22-040-21      | Focus transmitter bar with 669mm overall length with 4 preadjusted and integrated muting transmitting sensors. Applicable for entry and exit of material through the Focus Light Curtain or Grid. Must be used with the MFR-T receiving bar.                 |
| MFR-T         | 22-040-22      | Focus receiver bar with 669mm overall length with 4 preadjusted and integrated muting receiver sensors. Applicable for entry and exit of material through the Focus Light Curtain or Grid. Must be used with the MFT-T transmitting bar.                     |
| MF-L          | 22-040-30      | 362mm overall length with 2 preadjusted and integrated muting sensors. Applicable for exit of material through the Focus Light Curtain or Grid.  |
| MF-T Reflex   | 22-040-40      | Focus Muting Actuator with 4 preadjusted and integrated, retro-reflective muting sensors and retro-reflective passive target. Applicable for entry and exit of material through the Focus Light Curtain or Grid with wiring only to one side.                |
| MFTR-T Reflex | 22-040-41      | Focus Muting Actuator with 4 preadjusted and integrated, retro-reflective muting sensors. Applicable for entry and exit of material through the Focus Light Curtain or Grid with wiring only to one side. Requires the M-T REFLEX passive target to operate. |
| M-T Reflex    | 22-040-42      | Focus Muting Actuator, retro-reflective passive target. Applicable for entry and exit of material through the Focus Light Curtain or Grid with wiring only to one side. Requires the MFTR-T-REFLEX active sensor bar to operate.                             |
| LH1           | 40-007-10      | Bypass indicator lamp with 24VDC, 5W BA15d style bulb.   |
| ML1           | 40-007-15      | Replacement light bulb for LH1, 24VDC, 5W BA15d style.   |
| ML2           | 40-007-20      | LED replacement bulb for LH1.  |

## Component List - Transmitter Cables

| Designation | Article Number | Description   |
|-------------|----------------|---|
| M12-C61     | 20-056-00      | Cable single ended 6 meters black PVC jacket with straight 5 pole M12 female molded connector, 22AWG conductors, overall braid shield.  |
| M12-C101    | 20-056-10      | Cable single ended 10 meters black PVC jacket with straight 5 pole M12 female molded connector, 22AWG conductors, overall braid shield. |
| M12-C201    | 20-056-14      | Cable single ended 20 meters black PVC jacket with straight 5 pole M12 female molded connector, 22AWG conductors, overall braid shield. |



## Component List - Transmitter Extension Cables

| Designation | Article Number | Description   |
|-------------|----------------|---|
| M12-C112    | 20-056-20      | Extension cable, 1 meter, black PVC jacket with straight 5 pole M12 male/female connectors, 22AWG conductors, overall braid shield.   |
| M12-C312    | 20-056-21      | Extension cable, 3 meters, black PVC jacket with straight 5 pole M12 male/female connectors, 22AWG conductors, overall braid shield.  |
| M12-C612    | 20-056-22      | Extension cable, 6 meters, black PVC jacket with straight 5 pole M12 male/female connectors, 22AWG conductors, overall braid shield.  |
| M12-C1012   | 20-056-23      | Extension cable, 10 meters, black PVC jacket with straight 5 pole M12 male/female connectors, 22AWG conductors, overall braid shield. |
| M12-C2012   | 20-056-24      | Extension cable, 20 meters, black PVC jacket with straight 5 pole M12 male/female connectors, 22AWG conductors, overall braid shield. |
| M12-C01     | 20-055-10      | 5 pole M12 female field retrofittable connector with screw terminals for connecting wires. Cable diameter range 2.5 - 6.5 mm.         |
| M12-C02     | 20-055-11      | 5 pole M12 male field retrofittable connector with screw terminals for connecting wires. Cable diameter range 2.5 - 6.5 mm.           |
| C5          | 20-057-00      | 5 conductors, 22AWG, black PVC jacket cable with overall braid shield. Per meter.   |

## Component List - Receiver Cables

| Designation | Article Number | Description  |
|-------------|----------------|--|
| M12-C63     | 20-056-30      | Cable single ended 6 meters black PVC jacket with straight 8 pole M12 female molded connector, 22AWG conductors, overall braid shield.   |
| M12-C103    | 20-056-40      | Cable single ended 10 meters black PVC jacket with straight 8 pole M12 female molded connector, 22AWG conductors, overall braid shield.  |
| M12-C203    | 20-056-41      | Cable single ended 20 meters black PVC jacket with straight 8 pole M12 female molded connector, 22AWG conductors, overall braid shield.  |
| M12-C2/53Y  | 50-110-06      | Cable, 8 pole M12 female molded connector split into 2 separate cables. 5 meters black PVC cable with 8 , 22AWG conductors, overall braid shield. 2 meters black PVC cable with 3, 22AWG conductors, overall braid shield. Used for local connection of Focus reset or dual reset. |

## Component List - Receiver Extension Cables

| Designation | Article Number | Description   |
|-------------|----------------|---|
| M12-C134    | 20-056-50      | Extension Cable, 1 meter, black PVC jacket with straight 8 pole M12 male/female connectors, 22AWG conductors, overall braid shield.   |
| M12-C334    | 20-056-51      | Extension Cable, 3 meter, black PVC jacket with straight 8 pole M12 male / female connectors, 22AWG conductors, overall braid shield. |
| M12-C03     | 20-055-16      | 8 pole M12 female field retrofittable connector with screw terminals for connecting wires. Cable diameter range 2.5 - 6.5 mm.         |
| M12-C04     | 20-055-17      | 8 pole M12 male field retrofittable connector with screw terminals for connecting wires. Cable diameter range 2.5 - 6.5 mm.           |
| C8          | 20-057-10      | 8 conductors, 22AWG, black PVC jacket cable with overall braid shield. Per meter.   |

## Component List - FMC/FMI Connector Cables

| Designation | Article Number | Description   |
|-------------|----------------|---|
| M12-C62     | 20-056-02      | Cable single ended 6 meters black PVC jacket with straight 5 pole M12 male molded connector, 22AWG conductors, overall braid shield.  |
| M12-C102    | 20-056-12      | Cable single ended 10 meters black PVC jacket with straight 5 pole M12 male molded connector, 22AWG conductors, overall braid shield. |

## Component List - Optional Interface Units

| Designation | Article Number | Description   |
|-------------|----------------|---|
| RT9-24VDC   | 10-029-00      | Safety Relay with 2 safety outputs, 5 selectable input options (single or dual channel), automatic or manual supervised reset, test input for monitoring of external positive guided relays/contactors, 5 LED indicators, 1 dual purpose information output, quick release terminal blocks, 22.5mm wide, 24VDC supply. Meets safety category 1 to 4.  |
| RT6-24VDC   | 10-026-00      | Safety Relay with 3 safety outputs, 5 selectable input options (single or dual channel), automatic or manual supervised reset, test input for monitoring of external positive guided relays/contactors, 5 LED indicators, 1 NC information output and 2 potential free transistor information outputs, quick release terminal blocks, 45mm wide, 24VDC supply. Meets safety category 1 to 4.  |
| RT6-115VAC  | 10-026-04      | Safety Relay with 3 safety outputs, 5 selectable input options (single or dual channel), automatic or manual supervised reset, test input for monitoring of external positive guided relays/contactors, 5 LED indicators, 1 NC information output and 2 potential free transistor information outputs, quick release terminal blocks, 45mm wide, 115VAC supply. Meets safety category 1 to 4. |
| VITAL 1     | 20-052-00      | Safety Controller with 2 safety outputs, uses unique dynamic signal technology, automatic or manual supervised reset, test input for monitoring of external positive guided relays/contactors, 5 LED indicators, 1 dual purpose information output, quick release terminal blocks, 22.5mm wide, 24VDC supply. Meets safety category 4, dynamic self test.                                     |
| PLUTO       |                | See Pluto Safety PLC section for proper product selection.  |

This document and any attachments may include suggested specifications, drawings, schematics and similar materials from Jokab Safety North America, Inc. ("Jokab"). Use of such information and/or documentation by the recipient is subject to and conditioned upon your acceptance of the terms of the General Document Disclaimer which can be found at [www.jokabsafetyna.com](http://www.jokabsafetyna.com). Your acceptance of the terms of such General Document Disclaimer is conclusively presumed unless you notify Jokab in writing of your disagreement with the terms of such Disclaimer immediately upon receipt of this document, and you return to Jokab all specifications, drawings, schematics and similar materials provided to you by Jokab in this document.