



## **New GPL Grippers**

**Twice the Force – Half the Weight**

The New GPL Series of parallel grippers represents a pinnacle in parallel gripper development. This GPL has not changed catalog dimensions but provides higher levels of closing force and lighter weight. This 5<sup>th</sup> generation ZAYTRAN product uses patented (US4591199) double helix technology. The double helix allows long strokes and high centering precision ( $\pm 0.001$  inches,  $\pm 0.025$ mm). Tough materials and treatments are employed to assure long life in the harshest environments. The slides are heat treated and tempered to assure that they will continue to operate where typical grippers fail.

Borrowing from the Magnum™ Series the GPL employs a purge system that allows a chamber under the slides to be pressurized. This positive pressure ejects foreign materials such as grinding dust and welding slag. To make plumbing easy the grippers have open and close ports at either end as well as on the mounting side.

Sensors are easily added via an accessory kit and are easily positioned via a standard slot. This allows the grippers to be easily set up in complex automation applications. To facilitate the common requirement of Fail Safe operation a Fail Safe accessory is available. This device works the full length of the GPL's stroke and can be mounted to be fail safe in a grip closed or grip open application.



# GPL-40

## NEW VERSION

Stroke: 2.00 in. (50.8 mm)

Stroke limit options available

Closing Gripping Force @ 100PSI (6.8bar): 132 lbs. (59.83 kgf)

Opening Gripping Force @ 100PSI (6.8bar): 176 lbs. (79.83 kgf)

Approximate Weight: 2.8 lbs. (1270 g)

Operating Displacement: 3.534 cu. in. (57.91 cu. cm)

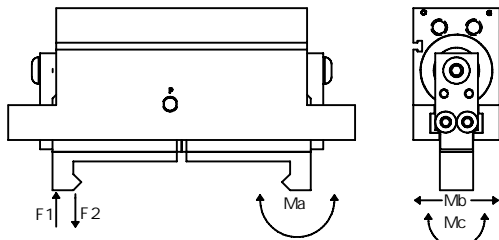
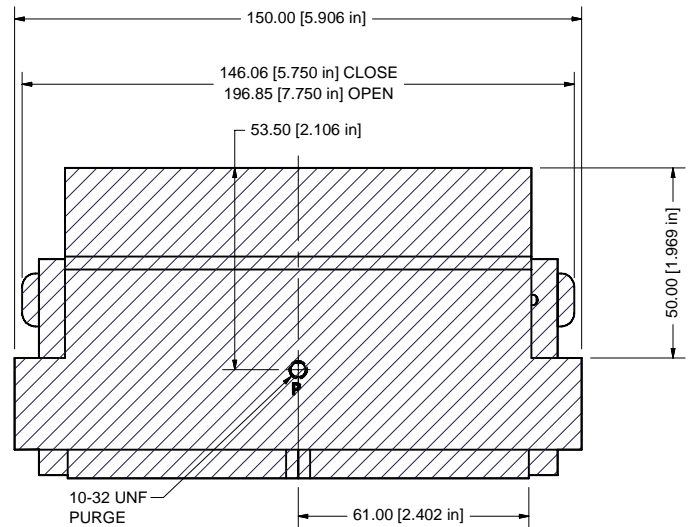
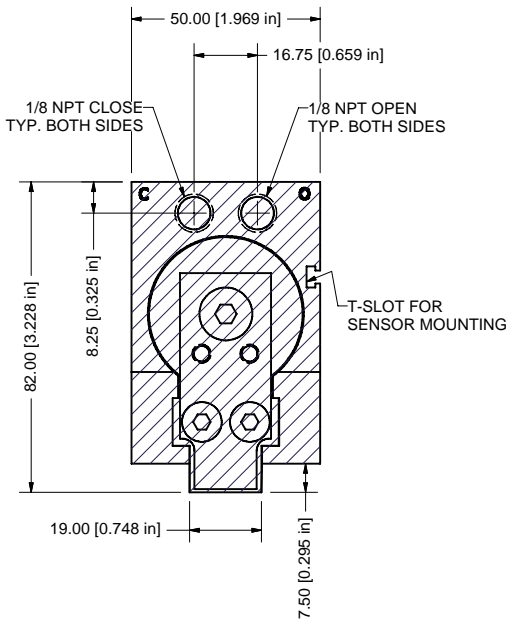
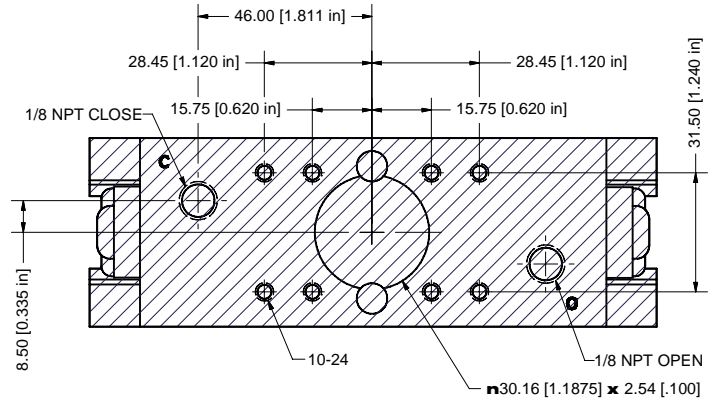
Maximum Operating Pressure: 120 PSI (8.3 bar)

Recommended Purge Pressure: 1/2 of operating pressure

-All mounting holes 1-1/2 diameter minimum thread depth.

-Jaw mounting holes are equipped with stainless steel thread inserts.

-Ports labeled "O" for open, "C" for close and "P" for purge.



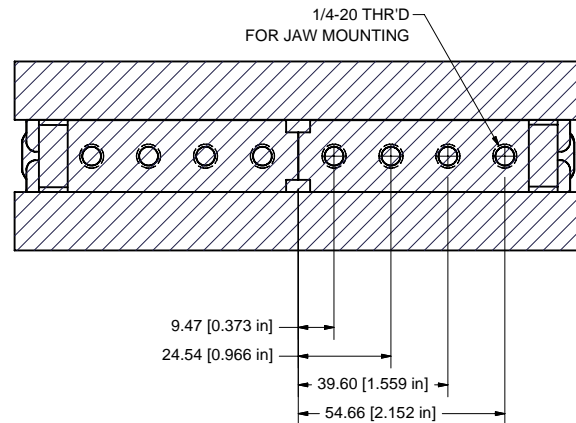
Ma = 295 in\*lbs (340 kgf\*cm)

Mb = 432 in\*lbs (500 kgf\*cm)

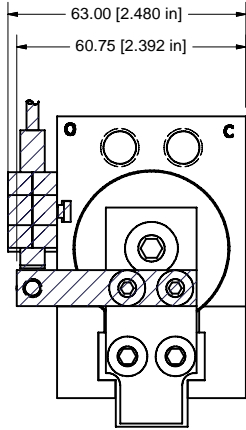
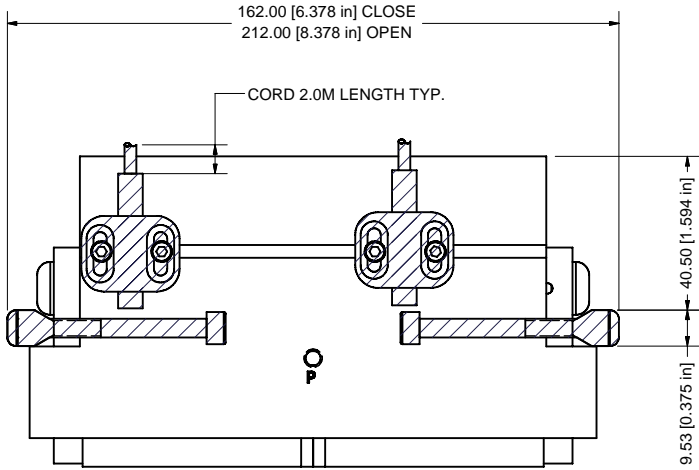
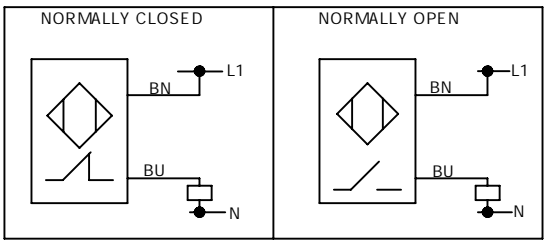
Mc = 302 in\*lbs (350 kgf\*cm)

F1 = 62 lbs (28.0 kgf)

F2 = 42 lbs (19.2 kgf)

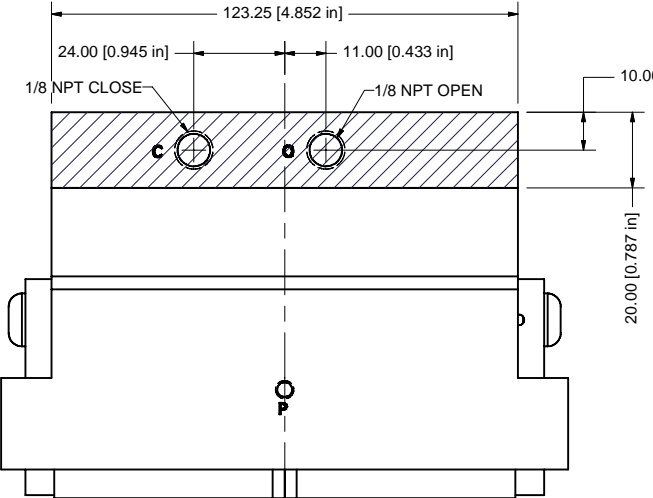
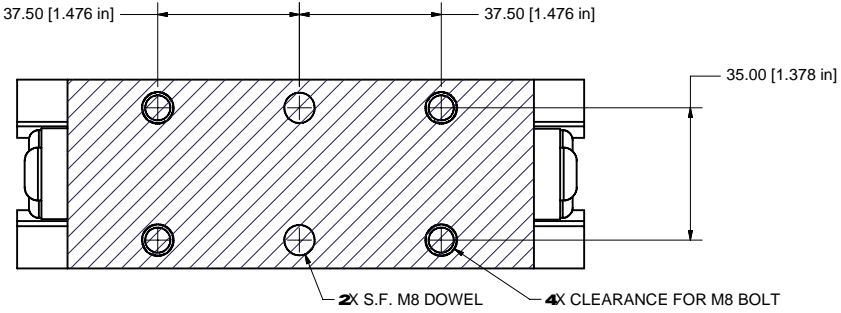


# SENSING ACCESSORY KIT

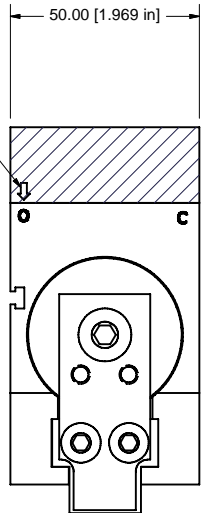


# FAILSAFE ACCESSORY KIT

-FAILSAFE IS SHOWN HOLDING IN THE OPEN DIRECTION, HOWEVER THE FAILSAFE CAN BE ROTATED 180-TO HOLD IN THE CLOSE DIRECTION



FAILSAFE DIRECTION INDICATOR SHOWN HOLDING IN THE OPEN POSITION  
FAILSAFE CAN BE ROTATED 180- TO HOLD IN THE CLOSE POSITION



# GPL-100

## NEW VERSION

Stroke: 3.00 in. (76.2mm)

Stroke limit options available

Closing Gripping Force @ 100PSI (6.8bar): 196 lbs. (89 kgf)

Opening Gripping Force @ 100PSI (6.8bar): 230 lbs. (104 kgf)

Approximate Weight: 5.3 lbs. (2404 g)

Operating Displacement: 7.216 cu. in. (118.24 cu. cm)

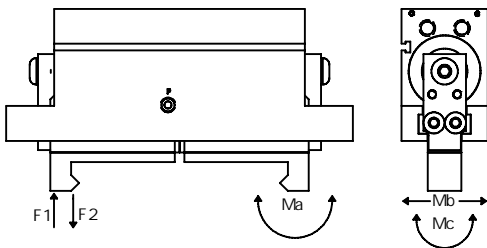
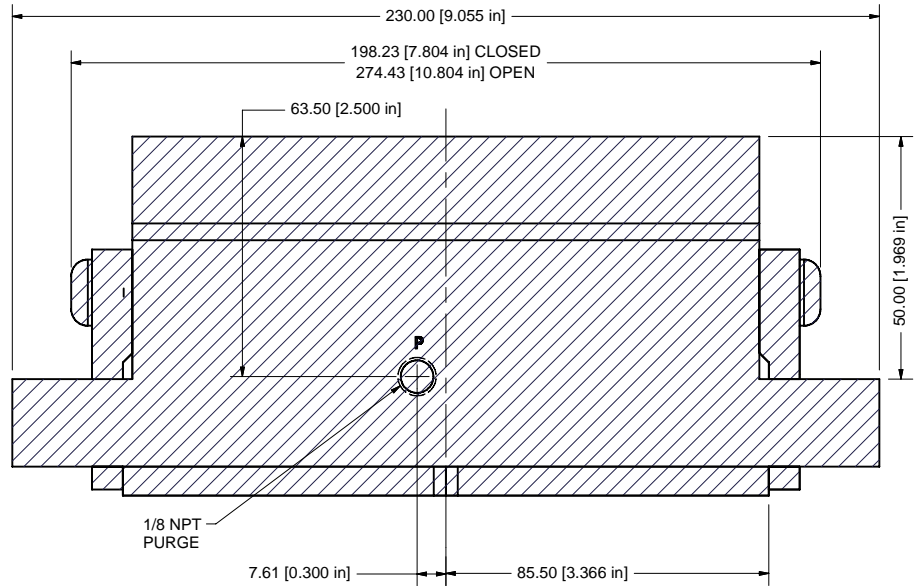
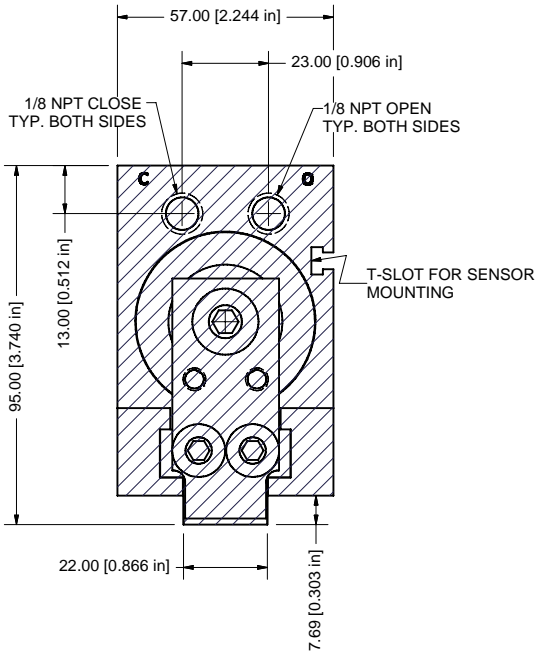
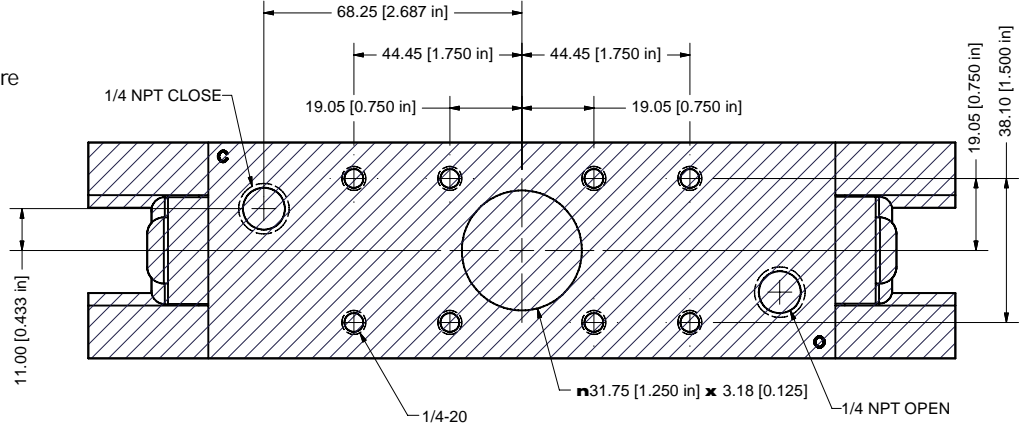
Maximum Operating Pressure: 120 PSI (8.3 bar)

Recommended Purge Pressure: 1/2 of operating pressure

-All mounting holes 1-1/2 diameter minimum thread depth.

-Jaw mounting holes are equipped with stainless steel thread inserts.

-Ports labeled "O" for open, "C" for close and "P" for purge.



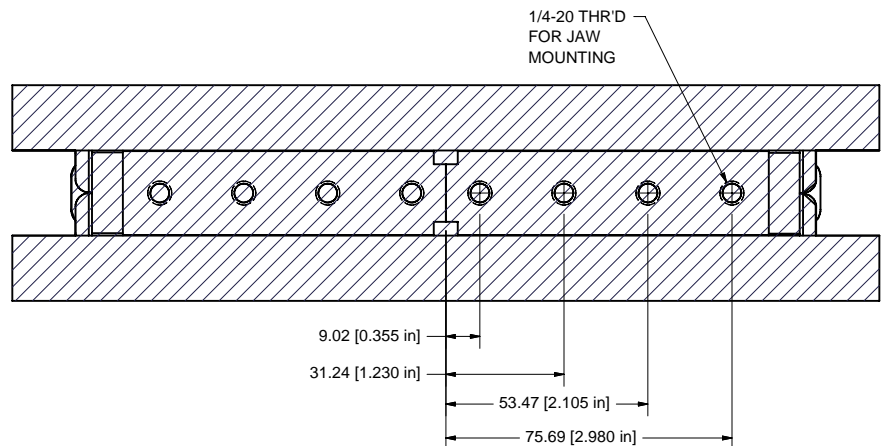
Ma = 658 in\*lbs (750 kgf\*cm)

Mb = 1080 in\*lbs (1250 kgf\*cm)

Mc = 1231 in\*lbs (1400 kgf\*cm)

F1 = 246 lbs (111.8 kgf)

F2 = 169 lbs (77.0 kgf)





# G PL-200

## NEW VERSION

Stroke: 4.00 in. (101.6 mm)

Stroke limit options available

Closing Gripping Force @ 100PSI (6.8bar): 364.0 lbs. (165.1 kgf)

Opening Gripping Force @ 100PSI (6.8bar): 443.0 lbs. (200.9 kgf)

Approximate Weight: 9.8 lbs. (4445 g)

Operating Displacement: 15.0 cu. in. (245.8 cu. cm)

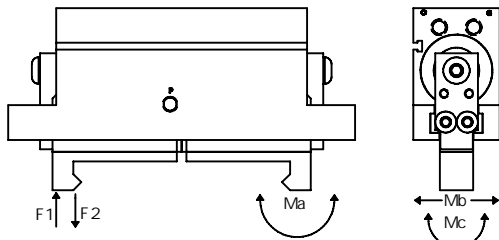
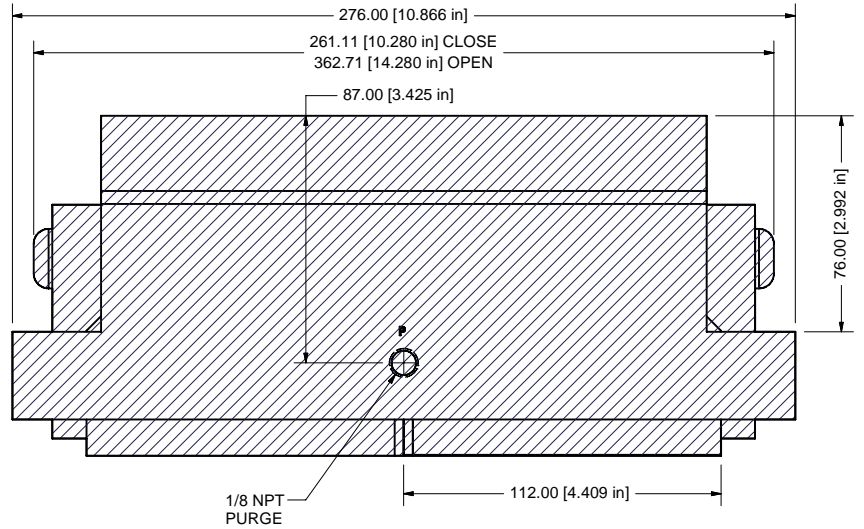
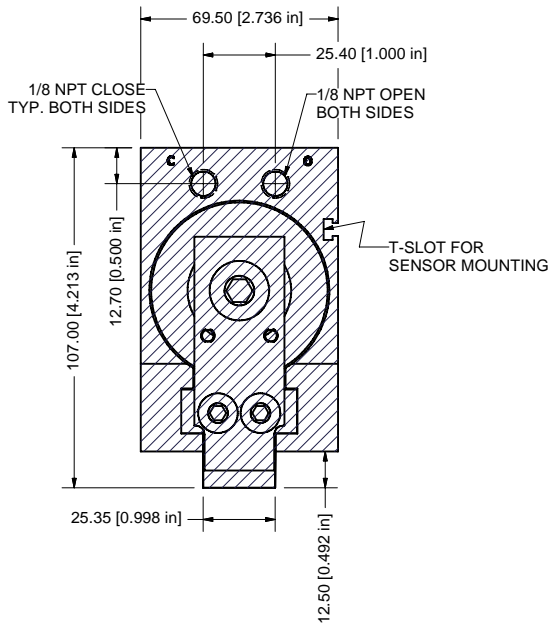
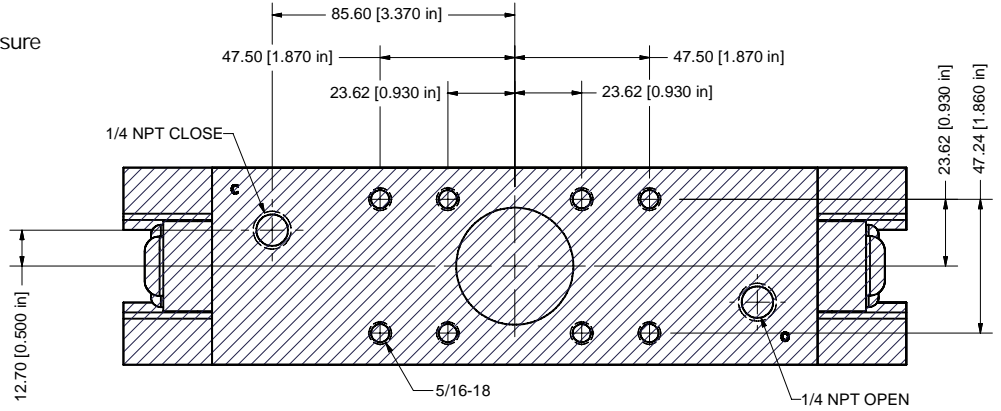
Maximum Operating Pressure: 120 PSI (8.3 bar)

Recommended Purge Pressure: 1/2 of operating pressure

-All mounting holes 1-1/2 diameter minimum thread depth.

-Jaw mounting holes are equipped with stainless steel thread inserts.

-Ports labeled "O" for open, "C" for close and "P" for purge.



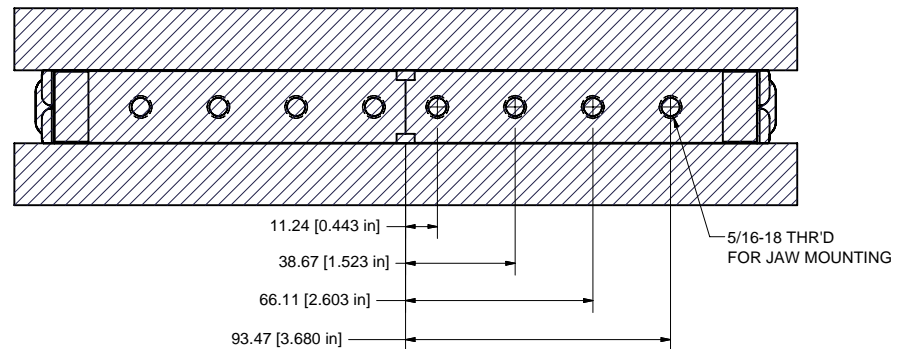
$M_a = 1095 \text{ in} \cdot \text{lbs} \text{ (1250 kgf} \cdot \text{cm)}$

$M_b = 1825 \text{ in} \cdot \text{lbs} \text{ (2100 kgf} \cdot \text{cm)}$

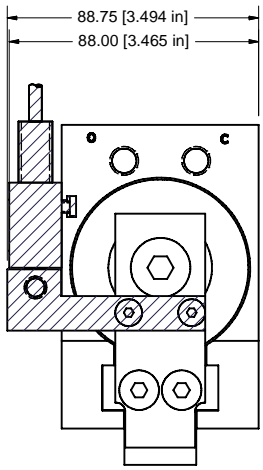
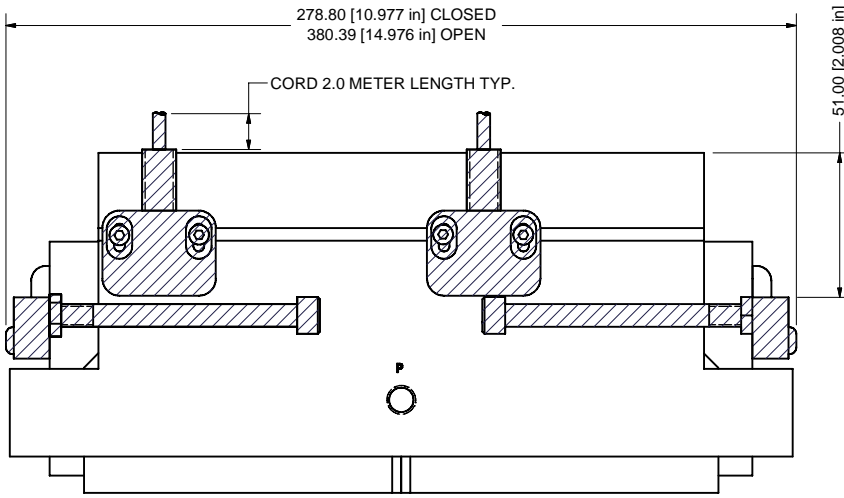
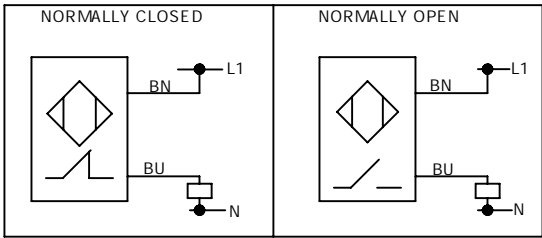
$M_c = 2020 \text{ in} \cdot \text{lbs} \text{ (2300 kgf} \cdot \text{cm)}$

$F_1 = 750 \text{ lbs} \text{ (340.9 kgf)}$

$F_2 = 556 \text{ lbs} \text{ (252.5 kgf)}$

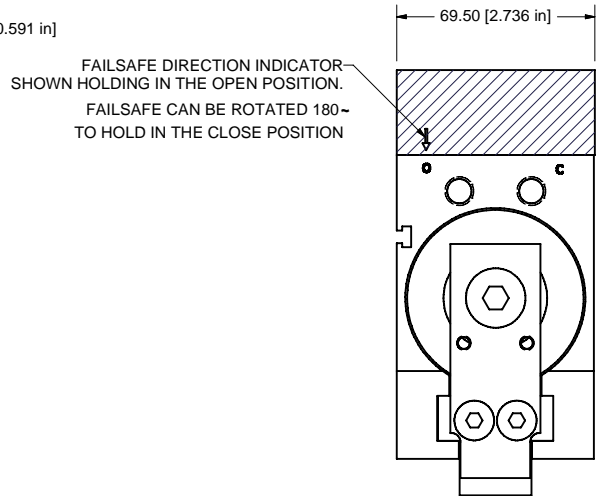
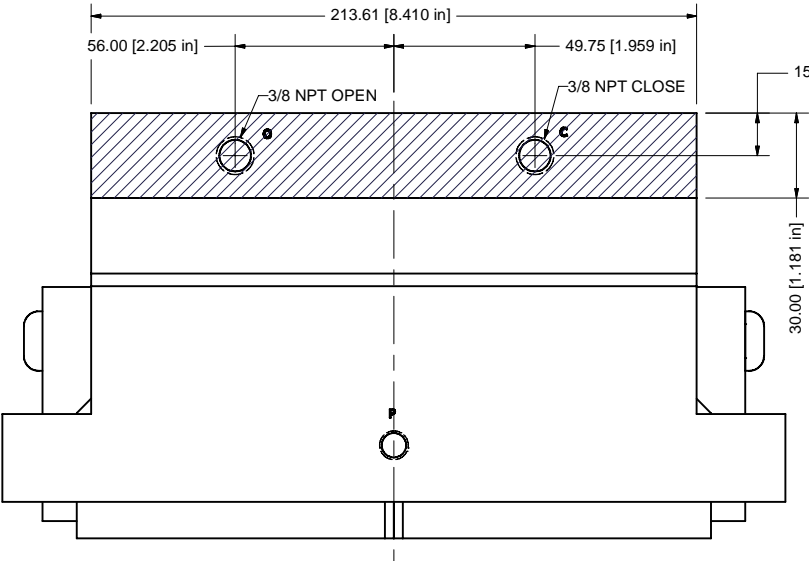
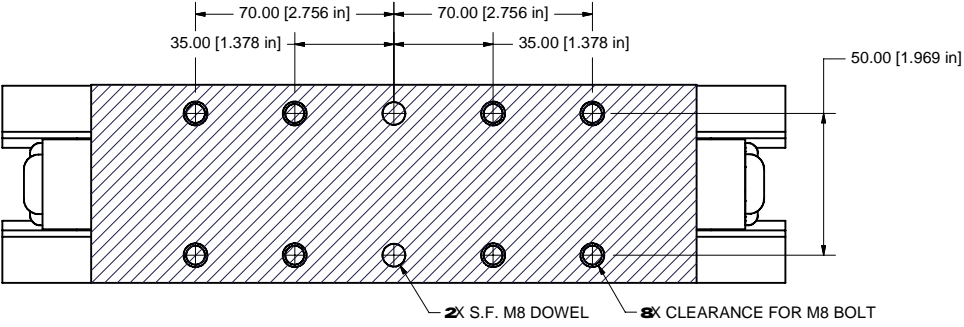


# SENSING ACCESSORY KIT

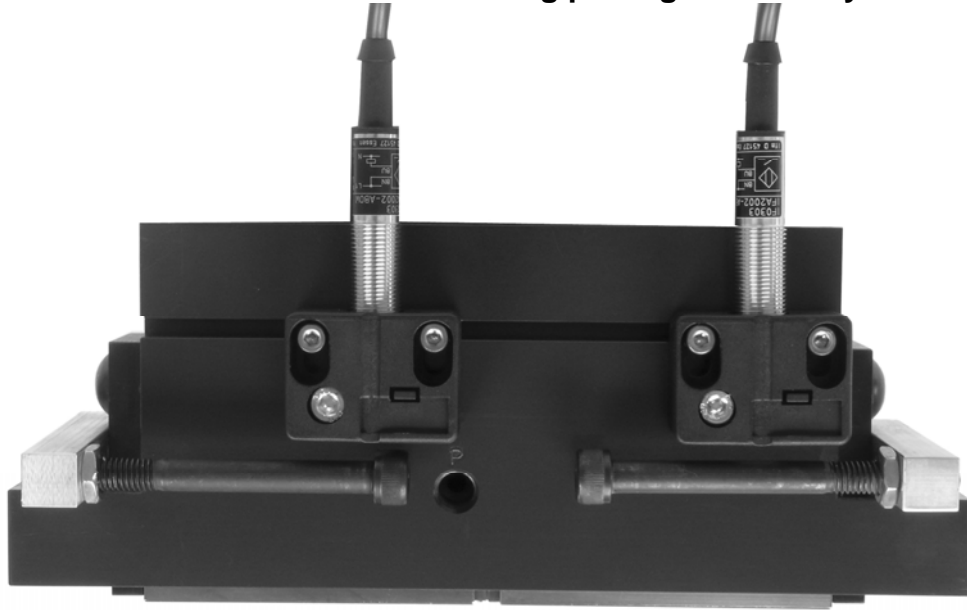


# FAILSAFE ACCESSORY KIT

-FAILSAFE IS SHOWN HOLDING IN THE OPEN DIRECTION, HOWEVER THE FAILSAFE CAN BE ROTATED 180-TO HOLD IN THE CLOSE DIRECTION



**GPL-100 shown with sensing package accessory**



**GPL-100 shown with Fail Safe Accessory**

