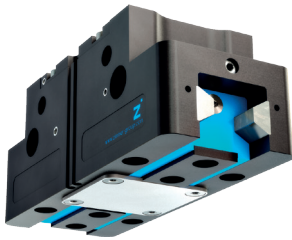


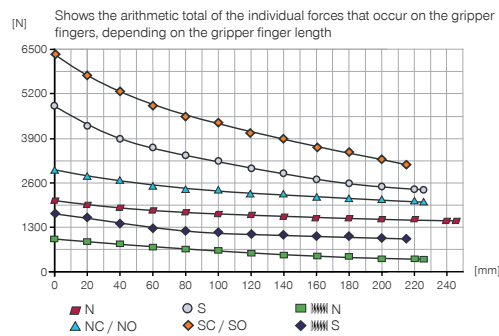
2-JAW PARALLEL GRIPPERS

INSTALLATION SIZE GPP5016

▶ PRODUCT SPECIFICATIONS

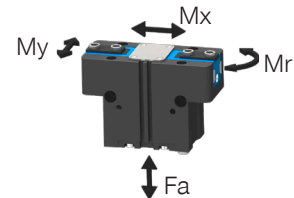


▶ Gripping force diagram



▶ Forces and moments

Displays static forces and moments that can also have an effect, besides the gripping force.



Mr [Nm]	145
Mx [Nm]	195
My [Nm]	185
Fa [N]	5200

▶ TECHNICAL DATA

▶ Technical Data*

Order no.	GPP5016N-00-A	GPP5016NC-00-A	GPP5016NO-00-A	GPP5016S-00-A	GPP5016SC-00-A	GPP5016SO-00-A
Stroke per jaw [mm]	16	16	16	8	8	8
Gripping force in closing [N]	2090	2860		4610	6310	
Gripping force in opening [N]	2220		2990	4900		6600
Gripping force secured by spring min. [N]		770	770		1700	1700
Closing time [s]	0.13	0.11	0.24	0.13	0.11	0.24
Opening time [s]	0.13	0.24	0.11	0.13	0.24	0.11
Permissible weight per jaw max [kg]	3.8	3.8	3.8	3.8	3.8	3.8
Length of the gripper fingers max. [mm]	245	225	225	225	215	215
Repetition accuracy +/- [mm]	0.01	0.01	0.01	0.01	0.01	0.01
Operating pressure min. [bar]	3	4	4	3	4	4
Operating pressure max. [bar]	8	7	7	8	7	7
Operating temperature [°C]	-10 ... +90	-10 ... +90	-10 ... +90	-10 ... +90	-10 ... +90	-10 ... +90
Air volume per cycle [cm³]	166	332	332	166	332	332
Protection to IEC 60529	IP64	IP64	IP64	IP64	IP64	IP64
Weight [kg]	2.9	3.7	3.7	2.9	3.7	3.7

▶ Technical Data - Protector Version

Order no.	GPP5016N-21-A	GPP5016NC-21-A	GPP5016NO-21-A	GPP5016S-21-A	GPP5016SC-21-A	GPP5016SO-21-A
Protection to IEC 60529	IP67**	IP67**	IP67**	IP67**	IP67**	IP67**
Weight [kg]	3.6	4.4	4.4	3.6	4.4	4.4

▶ Technical Data - High Temperature Version

Order no.	GPP5016N-20-A	GPP5016NC-20-A	GPP5016NO-20-A	GPP5016S-20-A	GPP5016SC-20-A	GPP5016SO-20-A
Operating temperature [°C]	-10 ... +130	-10 ... +130	-10 ... +130	-10 ... +130	-10 ... +130	-10 ... +130

▶ Technical Data - High Temperature Protector Version

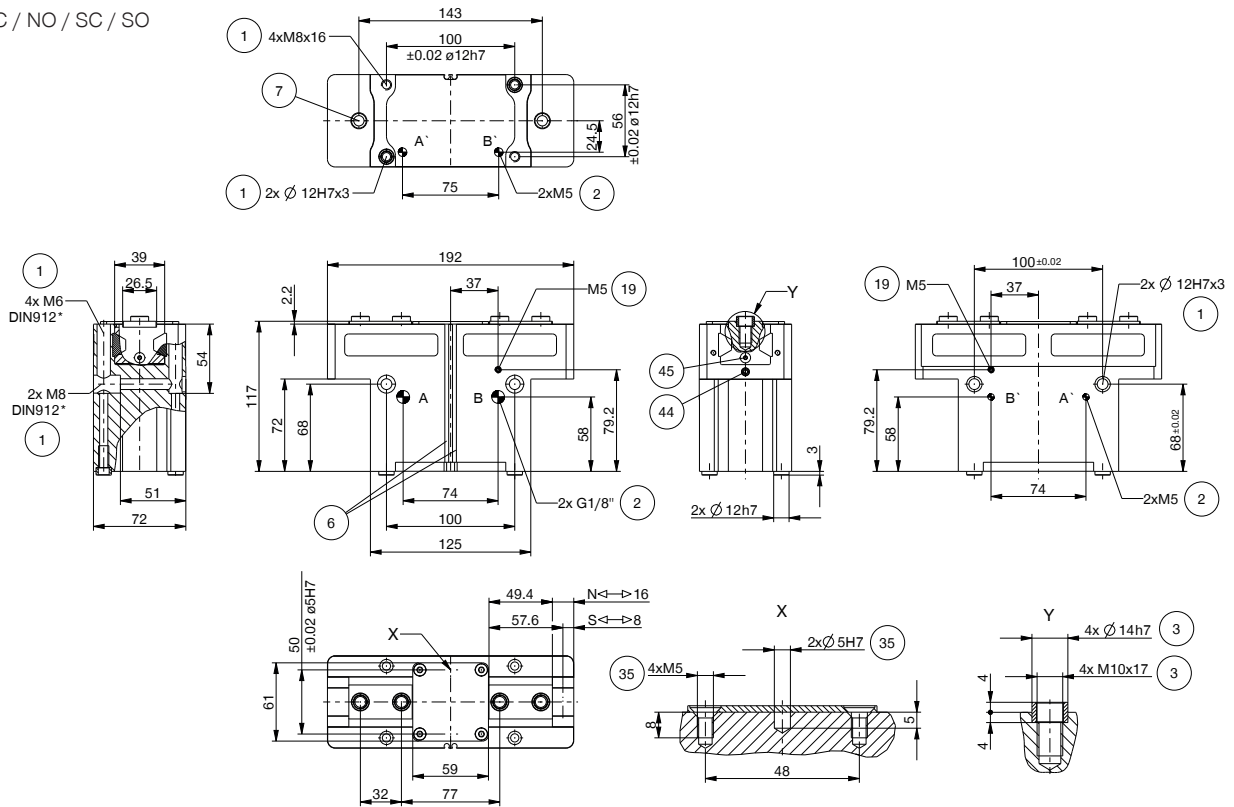
Order no.	GPP5016N-24-A	GPP5016NC-24-A	GPP5016NO-24-A	GPP5016S-24-A	GPP5016SC-24-A	GPP5016SO-24-A
Operating temperature [°C]	-10 ... +130	-10 ... +130	-10 ... +130	-10 ... +130	-10 ... +130	-10 ... +130
Protection to IEC 60529	IP67**	IP67**	IP67**	IP67**	IP67**	IP67**
Weight [kg]	3.6	4.4	4.4	3.6	4.4	4.4

*All data measured at 6 bar

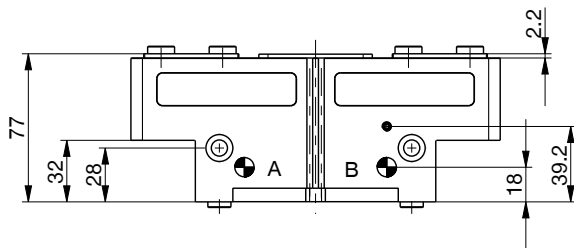
** with purged air (max. 0,5 bar)

TECHNICAL DRAWINGS

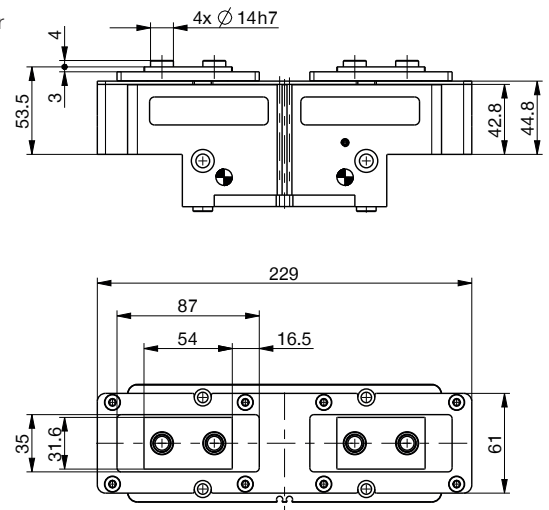
NC / NO / SC / SO



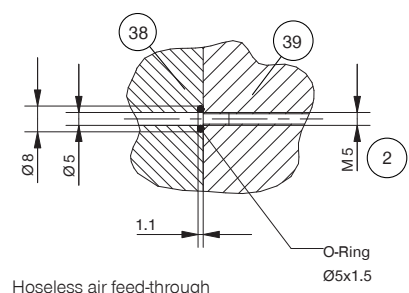
N / S



Protector version



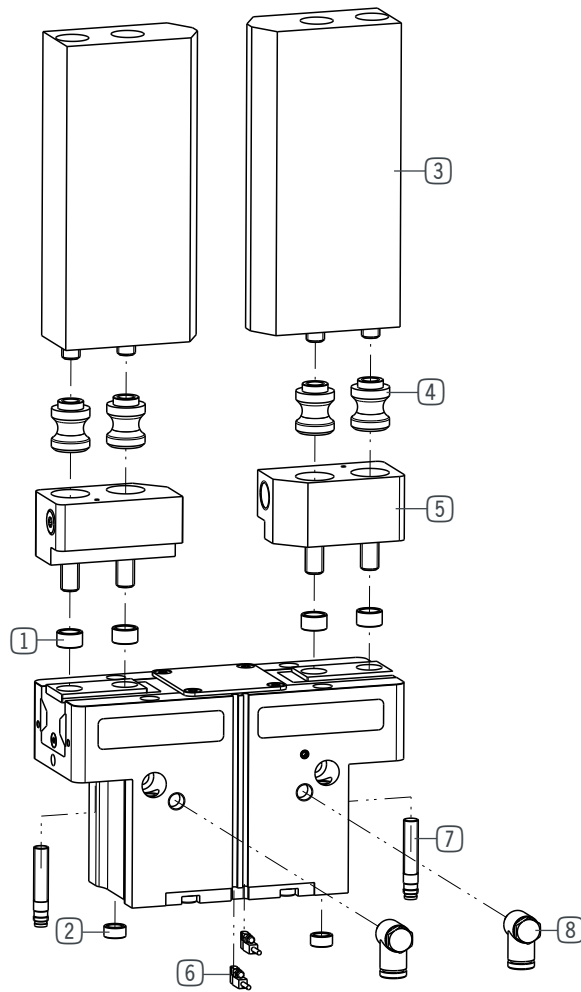
- ① Gripper attachment
- ② Energy supply
- ③ Fixing for gripper finger
- ⑥ Integrated slot for magnetic field sensor
- ⑦ Mounting block
- ⑱ Air purge connection option
- ⑳ Attachment option for customer-specific fittings
- ㉔ Adapter
- ㉙ Gripper
- ㉚ Clamp for sensor
- ㉛ Switch cam adjustment
- Ⓐ Air connection (close)
- Ⓑ Air connection (open)
- Ⓐ Air connection, alternative (close)
- Ⓑ Air connection, alternative (open)



Hoseless air feed-through

2-JAW PARALLEL GRIPPERS

INSTALLATION SIZE GPP5016



▶ INCLUDED IN DELIVERY



Centering Disc

019387



Centering Disc

019280

▶ RECOMMENDED ACCESSORIES



Universal jaw aluminium

UB5016AL



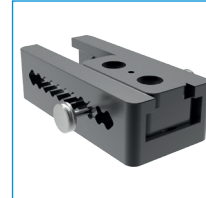
Universal jaw steel

UB5016ST



Aluminum adjustment jaw

EB5016AL



Steel adjustment jaw

EB5016ST



Changeable jaw, loose-part-set

WB5016L



Changeable jaw, fix-part

WB5016F



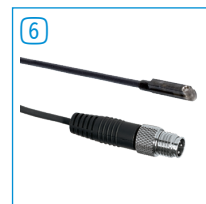
Inductive proximity switch - Connector M8

NJ8-E2S



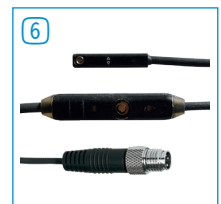
Magnetic field sensor Angled Cable 0,3 m - Connector M8

MFS103SKHC



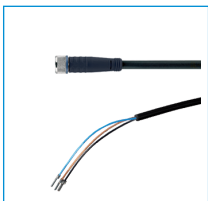
Magnetic field sensor Straight Cable 0,3 m - Connector M8

MFS204SKHC



2-Position-Sensor Cable 0,3 m - Connector M8

MFSP2SKHC-02



Plug-in connector Straight Cable 5m - Socket M8 (female)

KAG500



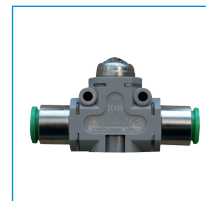
Plug-in connector customizable Straight - Connector M8

S8-G-3



Angled Fittings - Quick Connect Style

WV1-8X8



Quick Exhaust Valve

DEV08

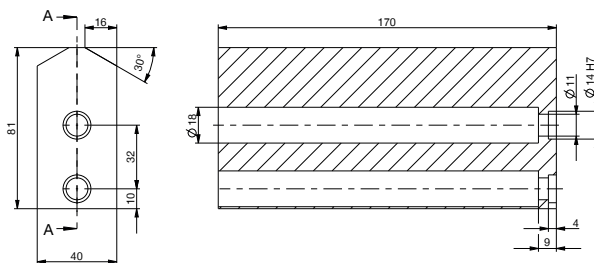


Pressure Safety Valve

DSV1-8

▶ TECHNICAL DRAWINGS ACCESSORIES

One universal jaw is required for each gripper jaw **3**



For each gripper jaw, one interchangeable jaw loose part set **4** and one interchangeable jaw fixed part **5** are needed

