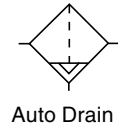
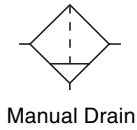


# Particulate Filter

## F03

= "Most Popular"



**F03-02-000**

### Features

- Excellent Water Removal Efficiency
- Unique Deflector Plate that Creates Swirling of the Air Stream Ensuring Maximum Water and Dirt Separation
- Easily Disassembled for Servicing Without the Use of Tools

### Specifications

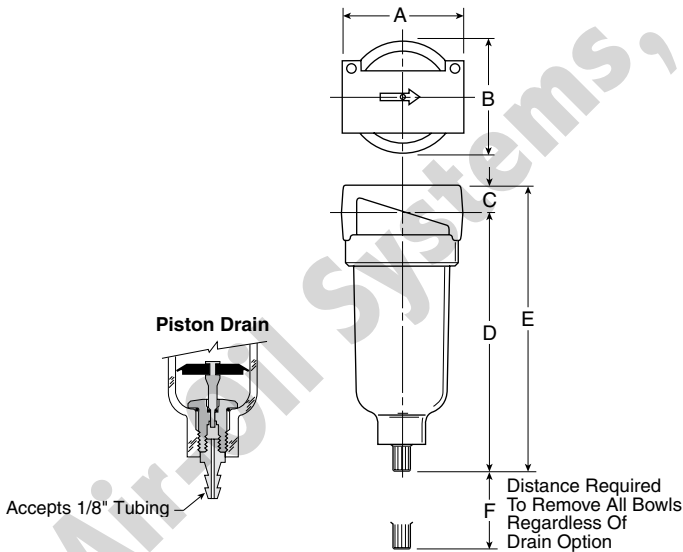
Flow Capacity*	1/8	22.0 SCFM (10 dm <sup>3</sup> /s)
	1/4	24.0 SCFM (11 dm <sup>3</sup> /s)
Maximum Supply Pressure	Polycarbonate Bowl	0 to 150 PSIG (0 to 10.3 bar)
	Metal Bowl	0 to 250 PSIG (0 to 17.2 bar)
	Piston Drain	10 to 250 PSIG (0.7 to 17.2 bar)
Operating Temperature	Polycarbonate Bowl	32°F to 125°F (0°C to 52°C)
	Metal Bowl	32°F to 175°F (0°C to 80°C)
	Piston Drain	32°F to 125°F (0°C to 52°C)
Port Size	NPT	1/8, 1/4
Standard Filtration	Micron	5
Weight	lb. (kg)	.41(.18)
Bowl Capacity		1 Ounce

\* Inlet pressure 90 PSIG (10.3 bar). Pressure drop 5 PSID (0.3 bar).

**"F" Series Filters, Type "A" 5 micron elements:** All Wilkerson Type "A" 5 micron elements **meet or exceed ISO Class 3** for maximum particle size and concentration of solid contaminants.

### Materials of Construction

Body		Zinc
Bowls	Transparent	Polycarbonate
	Metal (Without Sight Gauge)	Zinc
Deflector, Element Holder & Baffle		Plastic
Manual Drain	Body & Stem	Plastic
	Seals	Nitrile
Piston Drain	Piston & Seals	Nitrile
	Stem, Seat, Adaptor & Washers	Aluminum
Filter Elements	5 Micron	Plastic
Seals	Nitrile	



### Dimensions

Models	Inches (mm)	A	B	C	D	E	F
Standard Unit F03-XX-000		1.69 (43)	1.53 (39)	.39 (10)	3.82 (97)	4.21 (107)	1.60 (41)
Piston Drain F03-XX-D00		1.69 (43)	1.53 (39)	.39 (10)	3.87 (99)	4.26 (108)	1.60 (41)

### Replacement Bowl Kits

Metal Bowl –  
 Manual Drain .....PS451B  
 Piston Drain .....PS447B

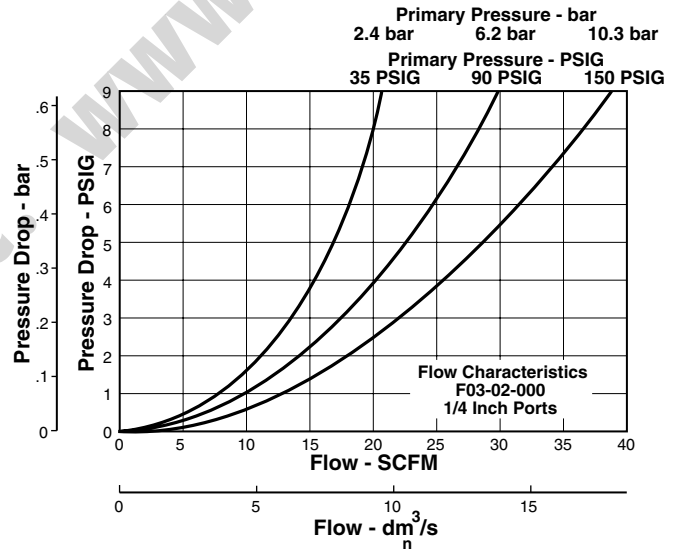
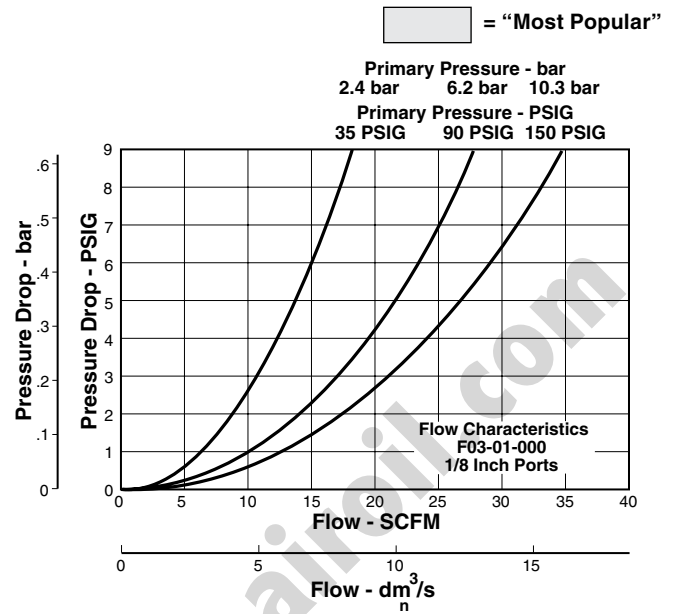
Plastic Bowl –  
 Manual Drain .....PS404  
 Piston Drain .....PS408B

### Replacement Element Kits

5 Micron .....PS403

### Accessories

Filter Element Kit (Bulk Pack, Qty. 12) .....FRP-96-303  
 Mounting Bracket Kit .....PS417B



### Ordering Information

Model Type	Port Size	Polycarbonate Bowl	Metal Bowl
Manual Drain	1/8	F03-01-000	F03-01-M00
	1/4	F03-02-000	F03-02-M00
Piston Drain	1/8	F03-01-D00	F03-01-DM0
	1/4	F03-02-D00	F03-02-DM0

Options - To order an option supplied with the unit model, add the appropriate coded suffix letter in the designated position of the model number.

