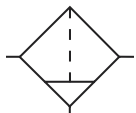
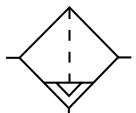


Particulate Filter

F12



Manual Drain



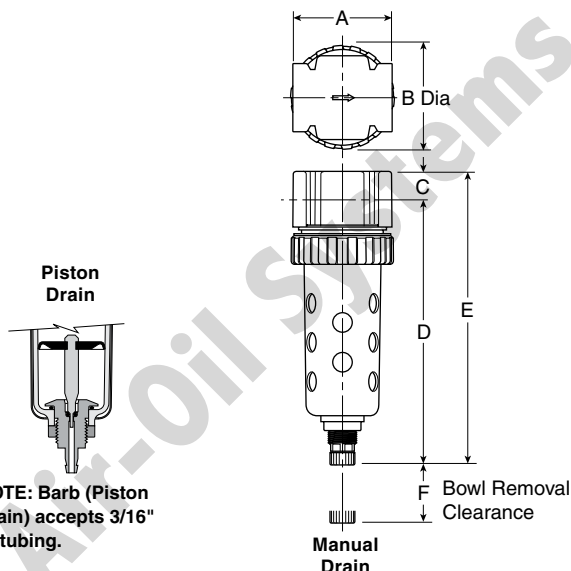
Auto Drain



F12-02-SK00

Features

- Excellent Water Removal Efficiency
- Unique Deflector Plate and Shroud Creates a Swirling of the Air Stream Ensuring Maximum Water and Dirt Separation
- Large Filter Element Surface Guarantees Low Pressure Drop and Increased Element Life
- 5 Micron Standard and Activated Carbon Element Available



= "Most Popular"

Specifications

High Flow Capacity*	Port Size	5 Micron	
	1/4	50 SCFM	
	3/8	58 SCFM	
Maximum Supply Pressure	Without DPI	Plastic Bowl	150 PSIG (10.3 bar)
		Metal Bowl	250 PSIG (17.2 bar)
	With DPI	With Piston Drain	150 PSIG (10.3 bar)
		With Piston Drain	150 PSIG (10.3 bar)
Operating Temperature	Without DPI	Plastic Bowl	32° to 125°F (0° to 52°C)
		Metal Bowl	32° to 175°F (0° to 80°C)
	With DPI	With Piston Drain	32° to 125°F (0° to 52°C)
		With Piston Drain	32° to 125°F (0° to 52°C)
Port Size	NPT / BSPP-G	1/4, 3/8	
Standard Filtration	Micron	5	
Useful Retention **	oz. (cc)	.9 (26.6)	
Weight	lb. (kg)	1.2 (0.54)	

* Inlet pressure 90 PSIG (6.2 bar) and 5 PSID (0.3 bar) pressure drop.

** Useful Retention refers to volume below the quiet zone baffle.

Materials of Construction

Body	Zinc	
Bowls	Plastic Bowl	Polycarbonate
	Metal Bowl	Zinc
Drain	Plastic	
Element Holder	Acetal	
Filter Element	Micron	Plastic
	Adsorber	Activated Charcoal
Seals	Nitrile	
Sight Gauge DPI	Polyamide (Nylon)	

Dimensions

Models	Inches (mm)	A	B	C	D [†]	E [†]	F
Standard Unit F12-XX-SK00		2.00 (51)	2.06 (52)	.56 (14)	5.35 (136)	5.91 (150)	2.25 (57)

[†] With Manual or Piston Drain

 = "Most Popular"

Replacement Bowl Kits

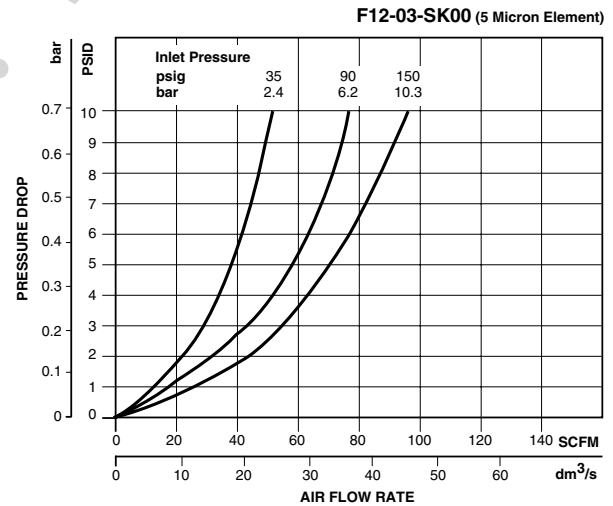
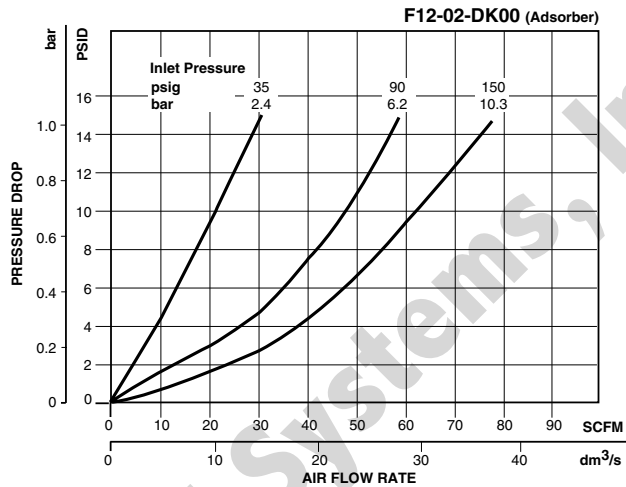
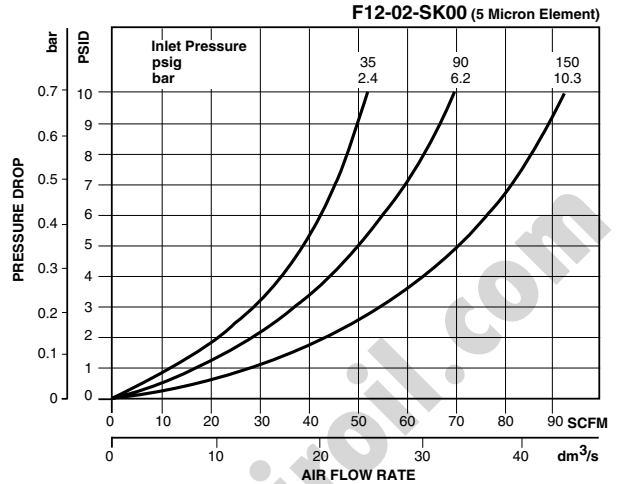
- Metal Bowl Guard GRP-96-345
- Metal Bowl –
 - Manual Drain GRP-96-348
 - Piston Drain GRP-96-353
 - Sight Gauge / Manual Drain GRP-96-349
 - Sight Gauge / Piston Drain GRP-96-352
- Plastic Bowl –
 - Manual Drain GRP-96-347
 - Piston Drain GRP-96-351

Replacement Element Kits

- Adsorber (Activated Carbon) FRP-96-301
- 5 Micron GRP-96-344
- 40 Micron GRP-96-343

Accessories & Repair Kits

- DPI Replacement Kit FRP-96-300
- Drain Kit –
 - Manual Drain GRP-96-340
 - Piston Drain GRP-96-354
- Mounting Bracket Kit GPA-96-300
- Sight Gauge Kit GRP-96-346



Ordering Information

Model Type	Port Size	Plastic Bowl / Bowl Guard	Metal Bowl (No Sight Gauge)
Manual Drain	1/4	F12-02-SK00	F12-02-SL00
	3/8	F12-03-SK00	F12-03-SL00
Automatic Piston Drain	1/4	F12-02-SR00	F12-02-SS00
	3/8	F12-03-SR00	F12-03-SS00

Options - To order an option supplied with the unit model, add the appropriate coded suffix letter in the designated position of the model number.

B