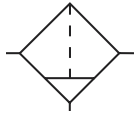


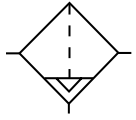
# Particulate Filter

= "Most Popular"

## F39



Manual Drain



Auto Drain



F39-08-SL00

### Features

- Standard 5 Micron Filtration
- High Flow Capacities
- 3/4" and 1" NPT Ports
- Port Blocks for BSPP Thread and 1-1/2" Ports
- Quick-disconnect Bowl

### Specifications

Flow Capacity*	3/4 1	270 SCFM (127 dm <sup>3</sup> /s) 280 SCFM (132 dm <sup>3</sup> /s)
Maximum Supply Pressure	250 PSIG (17 bar)	
Operating Temperature	32° to 175°F (0° to 80°C)	
Port Size	NPT	3/4, 1
Standard Filtration	Micron	5
Useful Retention**	oz. (cm <sup>3</sup> )	6.8 (200)
Weight	lb. (kg)	3.5 (1.6)

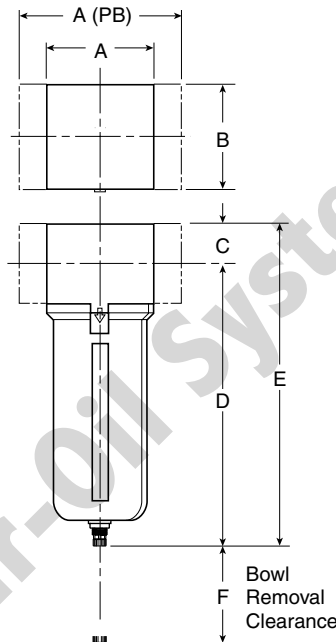
\* Inlet pressure 100 PSIG (6.9 bar). Pressure drop 5 PSID (0.3 bar).

\*\* Useful retention refers to volume below the quiet zone baffle.

**"F" Series Filters, Type "A" 5 micron elements:** All Wilkerson Type "A" 5 micron elements **meet or exceed ISO Class 3** for maximum particle size and concentration of solid contaminants.

### Materials of Construction

Baffle	Plastic
Body	Aluminum
Bowls	Aluminum
Deflector	Plastic
Filter Element	Sintered Polyethylene
Seals	Nitrile
Sight Gauge	Polyamide (Nylon)



### Dimensions

Models	Inches (mm)	A	A (PB)	B	C	D†	E†	F
Standard Unit F39-XX-SL00		3.62 (92)	5.91 (150)	3.62 (92)	1.38 (35)	9.57 (243)	10.95 (278)	4.92 (125)

† With Manual Drain or Internal Auto Drain

### Replacement Bowl Kits

- Metal Bowl –
- Sight Gauge / Internal Auto Drain ..... P3NKA00BSA
- Sight Gauge / Manual Drain.....P3NKA00BSM

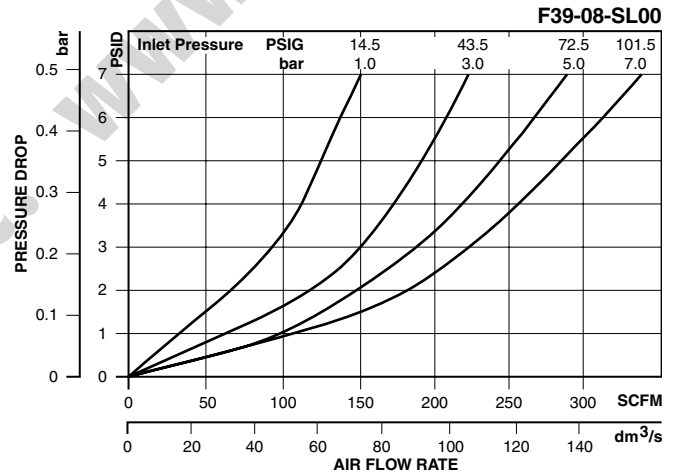
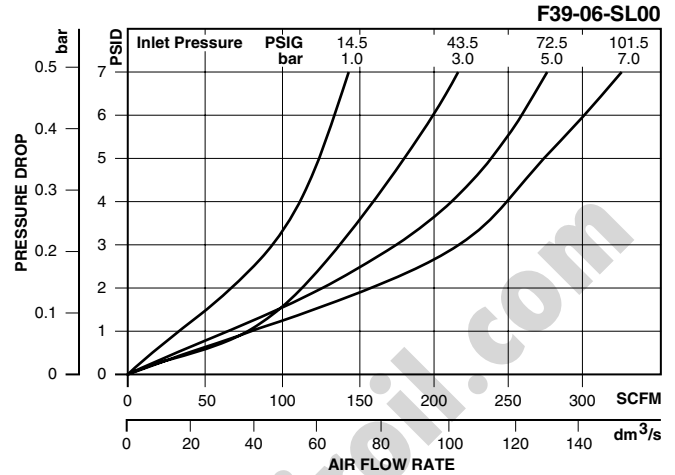
### Replacement Element Kits

- 40 Micron ..... P3NKA00ESG
- 5 Micron ..... P3NKA00ESE
- Activated Carbon..... P3NKA00ESA

### Accessories

- Bowl Latch Kit ..... C11A33
- Drain Kits –
- Internal Auto Drain .....PS506
- Manual Drain ..... PS512
- Mounting Bracket Kit ..... P3NKA00MW
- Sight Gauge Kit .....P3NKA00PE

= "Most Popular"



### Ordering Information

Model Type	Port Size	Metal Bowl / Sight Gauge
Manual Drain	3/4	F39-06-SL00
	1	F39-08-SL00
Automatic Drain	3/4	F39-06-SH00
	1	F39-08-SH00

**Options** - To order an option supplied with the unit model, add the appropriate coded suffix letter in the designated position of the model number.

B