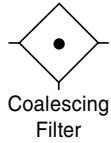


# Coalescing Filter

## M32

= "Most Popular"



**M32-08-000**

### Features

- Heavy-duty Cast Aluminum Housings to Withstand Operating Pressures Up to 300 PSIG ††
- Differential Pressure Indicator to Eliminate the Guesswork of Element Replacement
- Manual Drain
- High-flow Filter Elements: Coalescing, 1 Micron and 0.01 Micron

### Specifications

Flow Capacity *	1	419 SCFM (197 dm <sup>3</sup> /s)
	1-1/4	741 SCFM (350 dm <sup>3</sup> /s)
Maximum Supply Pressure	without DP2	300 PSIG (20.7 bar) ††
	with DP2	150 PSIG (10.3 bar)
Operating Temperature	32° to 150°F (° to 65.5°C)	
Port Size	NPT / BSPP-G 1, 1-1/4	
Standard Filtration	Micron	(B1) 1.0, (C) 0.01 (D) 0.003 ppm / wt **
Useful Retention †	oz. (cm <sup>3</sup> )	80.7 (2387)
Weight	lb. (kg)	13 (5.9)

\* Inlet pressure 150 PSIG (10.3 bar). Pressure drop of 3 PSID (0.2 bar).

\*\* Filtration temperature of 70°F (21°C) @ 100 PSIG (6.9 bar) with typical compressor lubricating oil and protected by Type "C" filter.

† Useful retention refers to volume below the quiet zone baffle.

†† Without Differential Pressure Indicator – Max. supply pressure is 300 PSIG (20.7 bar).

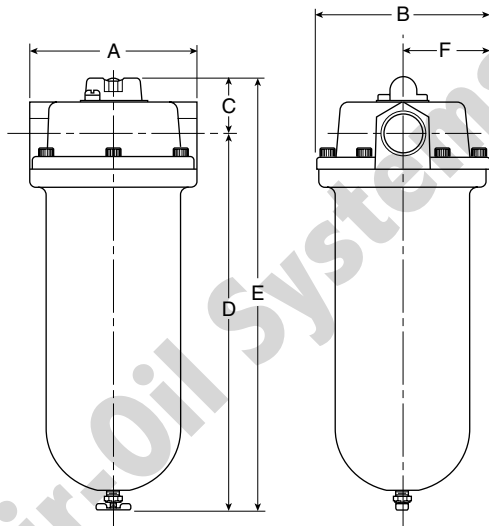
**"M" Series Coalescing Filters, with Type "B1" 1.0 micron elements:** All Wilkerson Type "M" Oil Removal (Coalescing) Filters with Type "B1" 1.0 micron elements **exceed ISO Class 2** for maximum particle size and concentration of solid contaminants, and exceed Class 3 on maximum oil content (ppm/wt).

**"M" Series Coalescing Filters, with Type "C" 0.01 micron elements:** All Wilkerson Type "M" Oil Removal (Coalescing) Filters with Type "C" 0.01 micron elements **exceed ISO Class 1** for maximum particle size and concentration of solid contaminants, and exceed Class 1 on maximum oil content (ppm/wt).

**"M" Series Adsorption Filters, with Type "D" activated carbon elements:** All Wilkerson Type "M" adsorption filters with Type "D" activated carbon elements **exceed ISO Class 1** on maximum oil content (ppm/wt).

### Materials of Construction

Body	Aluminum	
Bowls	Aluminum	
Element Retainer	Brass Nut / Steel Stud	
Filter Elements	Type "B1", "C" Type "D"	Borosilicate Cloth Activated Carbon
Seals	Fluorocarbon	



### Dimensions

Models	Inches (mm)	A	B	C	D	E	F
Standard Unit M32-XX-000		6.20 (157)	6.40 (163)	2.10 (53)	13.90 (353)	16.00 (406)	3.20 (81.3)
Automatic Drain M32-XX-F00		6.20 (157)	6.40 (163)	2.10 (53)	14.04 (356.6)	16.14 (410)	3.20 (81.3)

 = "Most Popular"

### Replacement Bowl Kit

Gasket, Bowl, Fluorocarbon (1 per Kit) ..... GRP-95-288

### Replacement Element Kits

Type "B1", 1.0 Micron ..... MSP-95-873

Type "C", 0.01 Micron ..... MTP-95-559

Type "D", Oil Vapor Removing ..... MXP-95-558

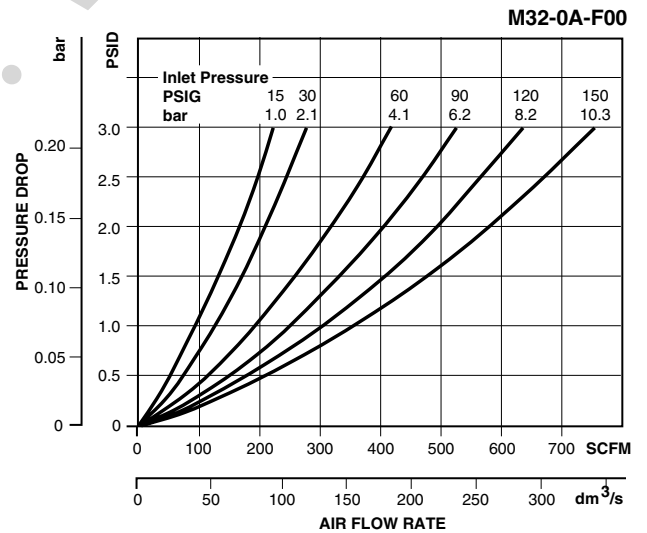
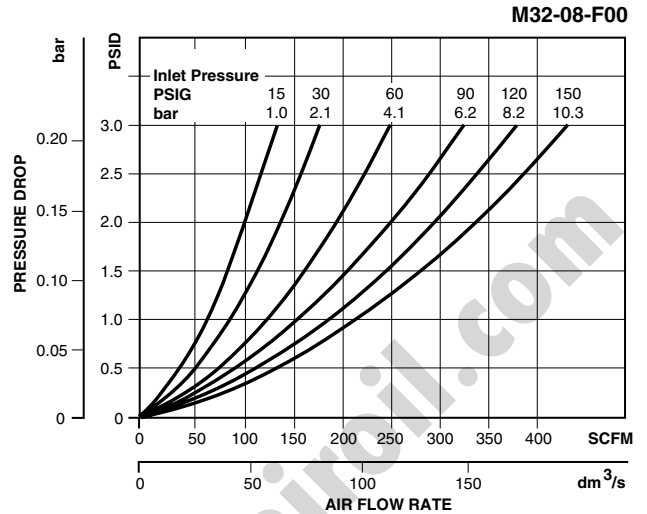
### Accessories

Automatic Mechanical Drain ..... GRP-95-981

Cap, Differential Pressure Indicator –  
For pressures over 150 PSIG, 10,3 bar ..... GRP-95-020

Gauge, Differential Pressure ..... DP3-01-000

Indicator, Differential Pressure ..... DP2-01-000



### Ordering Information

Model Type	Port Size	Metal Bowl / "C" Element	Metal Bowl / "B1" Element	Metal Bowl / "D" Element (No DPI)
Manual Drain	1	M32-08-000	M32-08-S00	M32-08-X00
	1-1/4	M32-0A-000	M32-0A-S00	M32-0A-X00
Automatic Drain	1	M32-08-F00	M32-08-FS0	—
	1-1/4	M32-0A-F00	M32-0A-FS0	—

Options - To order an option supplied with the unit model, add the appropriate coded suffix letter in the designated position of the model number

