

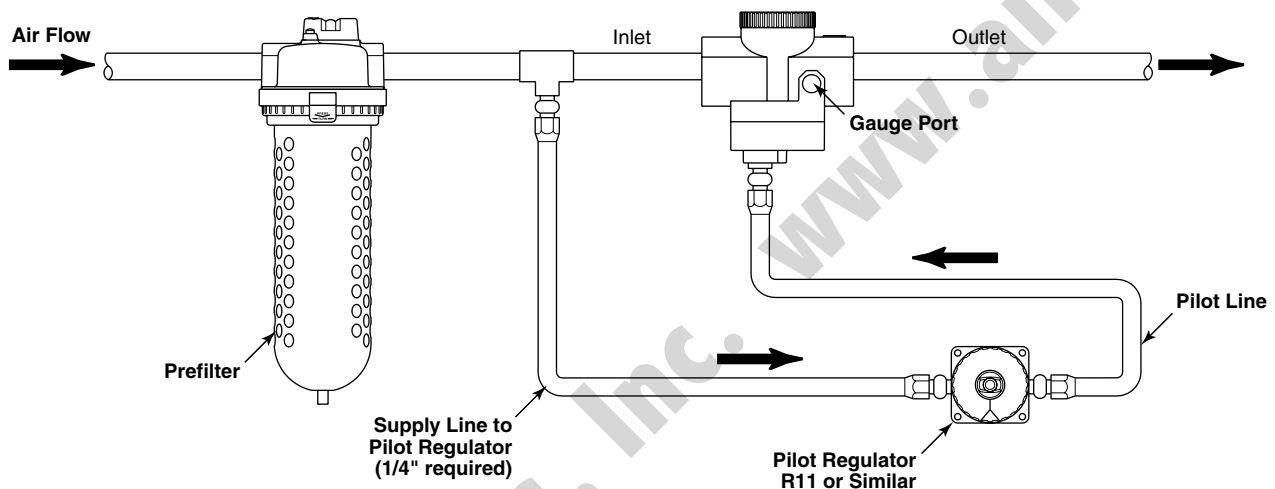
R21 / 31 / 41-XX-RXX

Principal Regulator (Remote Operated)

Remote-control Dial-Air™ Regulator

Incorporates all the features of the standard Dial-Air™ Regulator plus the additional advantage of remote installation using the R11 model Pilot Regulator. Maximum inlet operating pressure and temperature ratings are 300 PSIG (20.7 bar) and 150°F (65.5°C).

The Remote-control Dial-Air™ Regulators are available in five pipe sizes, with 1/4" NPT connections on the pilot regulator and pilot port of remote-controlled regulators. Typical installation is shown below. For other remote models, see R21, R31 & R41.

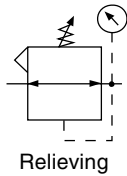


Dial-Air™

Dial-Air™ regulators feature a transparent, pressure-calibrated, non-rising adjustment dial for quick adjustment of secondary pressure. If a gauge (R21, R31, R41) is required for monitoring reasons, two 1/4" gauge ports are provided; however, these are usually used for additional outlet ports. The full reduced pressure range can be dialed in less than 270° of dial rotation. This feature is particularly advantageous if secondary pressure must be changed frequently. The transparent dial can be color or graphics coded for easy reference to required pressure changes. Dial-Air™ regulators can be mounted in any position so dial face is always visible. All Dial-Air™ units have a slight constant air bleed: 0.05 SCFM (0.024 dm³/s), @100 PSIG (6.9 bar) inlet and 90 PSIG (6.2 bar) outlet.

Dial-Air™ Regulator

R31



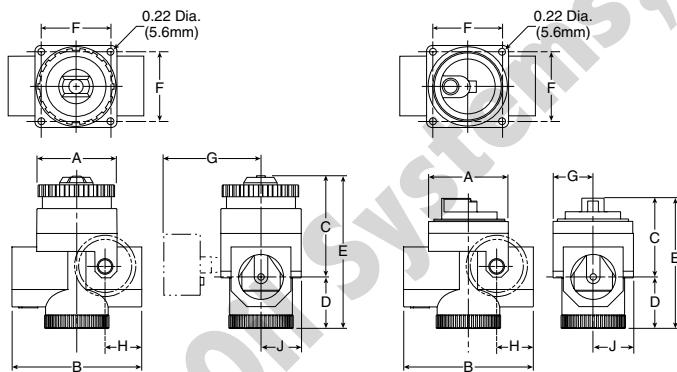
R31-06-000

Features

- Balanced Valve Design
- Non-Rising Pressure Adjusting Dial
- High-Relief Flow (3/16" Relief Orifice)
- Two 1/4" NPT / BSPT-Rc Gauge Ports, Usually Used for Additional Outlets
- Piston Operated

⚠ WARNING

**Product rupture can cause serious injury.
Do not connect regulator to bottled gas.
Do not exceed maximum primary pressure rating.**



Remote Operated

NOTE: Panel mounting requires (2) 11/16" (69mm) diameter holes and (4) 7/32" (5.5mm) screw holes. Unit can be mounted on material up to 1-1/4" (32mm) thick.

Dimensions

| Models | Inches (mm) | A | B | C | D | E | F | G | H | J |
|---|-------------|--------------|---------------|----------------|--------------|-----------------|----------------|----------------|----------------|----------------|
| Standard Unit R31-XX-000 | | 2.59 (66) | 4.29 (109) | 3.50 (88.9) | 1.69 (43) | 5.19 (132) | 2.20 (55.9) | — | 1.23 (31.2) | 1.31 (33.3) |
| With Gauge (order separately) R31-XX-XXX | | 2.59 (66) | 4.29 (109) | 3.50 (88.9) | 1.69 (43) | 5.19 (132) | 2.20 (55.9) | 3.00 (76) | 1.23 (31.2) | 1.31 (33.3) |
| Remote Operated R31-XX-R00 | | 2.59 (66) | 4.29 (109) | 2.63 (66.8) | 1.69 (43) | 4.32 (109.7) | 2.20 (55.9) | 1.33 (33.7) | 1.23 (31.2) | 1.31 (33.3) |

= "Most Popular"

Specifications

| | | |
|--------------------------|--|-----------------------------------|
| Flow Capacity* | 3/4 | 400 SCFM (189 dm ³ /s) |
| | 1 | 650 SCFM (307 dm ³ /s) |
| | 1-1/4 | 700 SCFM (330 dm ³ /s) |
| Adjusting Range Pressure | 0 to 40 PSIG (0 to 2.7 bar) 0 to 160 PSIG (0 to 11 bar) | |
| Bleed Rate | 0.05 SCFM (0.024 dm ³ /s) | |
| Gauge Port (2 ea.) | NPT / BSPT-Rc | 1/4 |
| Maximum Supply Pressure | 300 PSIG (20.7 bar) | |
| Operating Temperature | 32° to 150°F (0° to 65.5°C) | |
| Port Size | NPT / BSPP-G | 3/4, 1, 1-1/4 |
| Weight | lb. (kg) | 4.0 (1.8) |

* Inlet pressure 100 PSIG (6.9 bar). Secondary pressure 80 PSIG (5.5 bar).

Materials of Construction

| | |
|----------------|--------------------------|
| Body | Zinc |
| Bonnet | Zinc / Brass |
| Piston | Acetal |
| Seals | Nitrile |
| Springs | Steel |
| Valve Assembly | Brass / Nitrile / Acetal |

CAUTION:

REGULATOR PRESSURE ADJUSTMENT – The working range of knob adjustment is designed to permit outlet pressures within their full range. Pressure adjustment beyond this range is also possible because the knob is not a limiting device. This is a common characteristic of most industrial regulators, and limiting devices may be obtained only by special design.

For best performance, regulated pressure should always be set by increasing the pressure up to the desired setting.

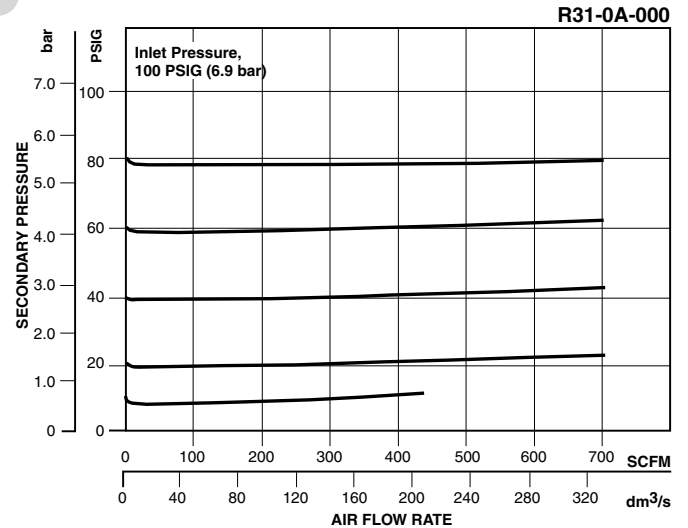
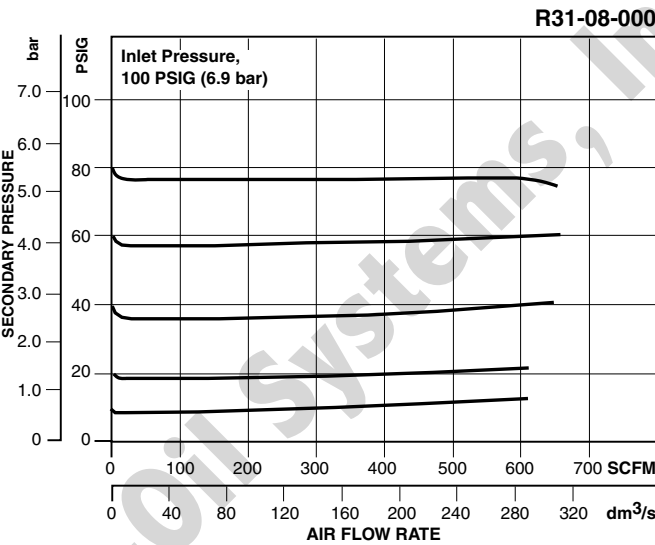
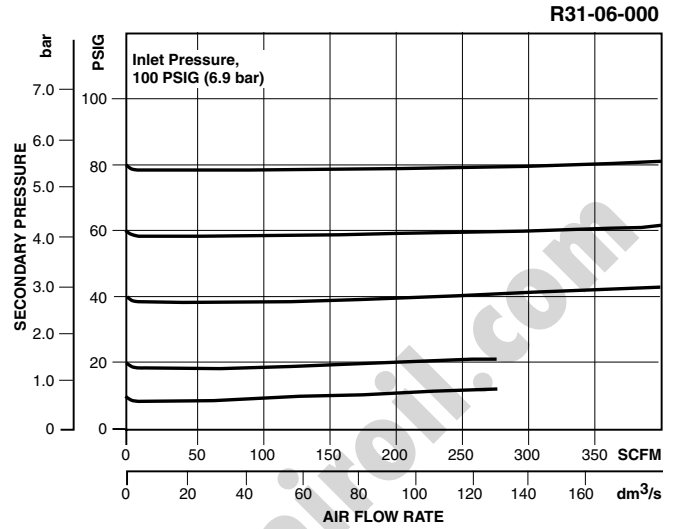
 = "Most Popular"

Replacement Kits

- Adjustment Dial Knob RRP-16-024-000
- Conversion Kit (Series A to Series B) RRP-95-766
- O-ring, Repair Kit GRP-95-261
- Piston, Bottom and O-ring seal RRP-95-192
- Spring, Regulating, Belleville Washer –
 - 0 to 40 PSIG (0 to 2.8 bar) RRP-95-906
 - 0 to 160 PSIG (0 to 11 bar) RRP-95-905
- Valve, Main with O-ring Seal RRP-95-152
- Valve, Main (Remote) with O-ring Seal RRP-96-950
- Valve, Pilot with O-ring and Valve Spring RRP-96-935

Accessories

- Gauge, Pressure –
 - 0 to 60 PSIG (0 to 4 bar), 2" Dial Face, 1/4 NPT, CBM K4520N14060
 - 0 to 160 PSIG (0 to 11 bar), 2" Dial Face, 1/4 NPT, CBM K4520N14160
- Tamper Resistant Kit RRP-95-585
- Wall Mounting Bracket, Gauge Port Adapter, 1/4 NPT RRP-95-590



Ordering Information

| Model Type | Port Size | High Flow 5 to 160 PSIG (0.4 to 11 bar) | Low Pressure 2 to 40 PSIG (0.1 to 3 bar) | Remote 5 to 160 PSIG (0.4 to 11 bar) |
|------------|-----------|---|--|--------------------------------------|
| Relieving | 3/4 | R31-06-000 | R31-06-L00 | R31-06-R00 |
| | 1 | R31-08-000 | R31-08-L00 | R31-08-R00 |
| | 1-1/4 | R31-0A-000 | R31-0A-L00 | R31-0A-R00 |

Options - To order an option supplied with the unit model, add the appropriate coded suffix letter in the designated position of the model number.

