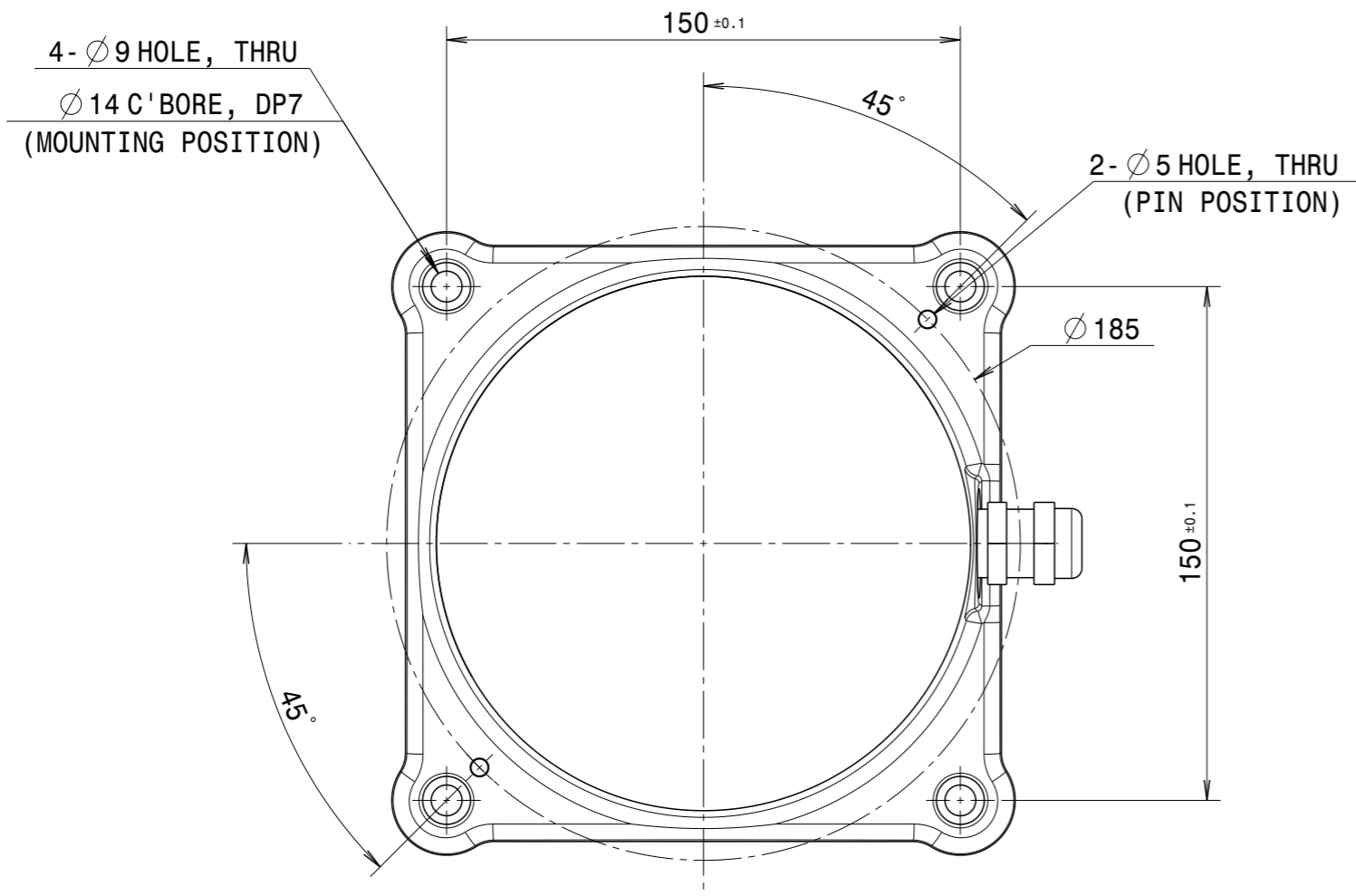
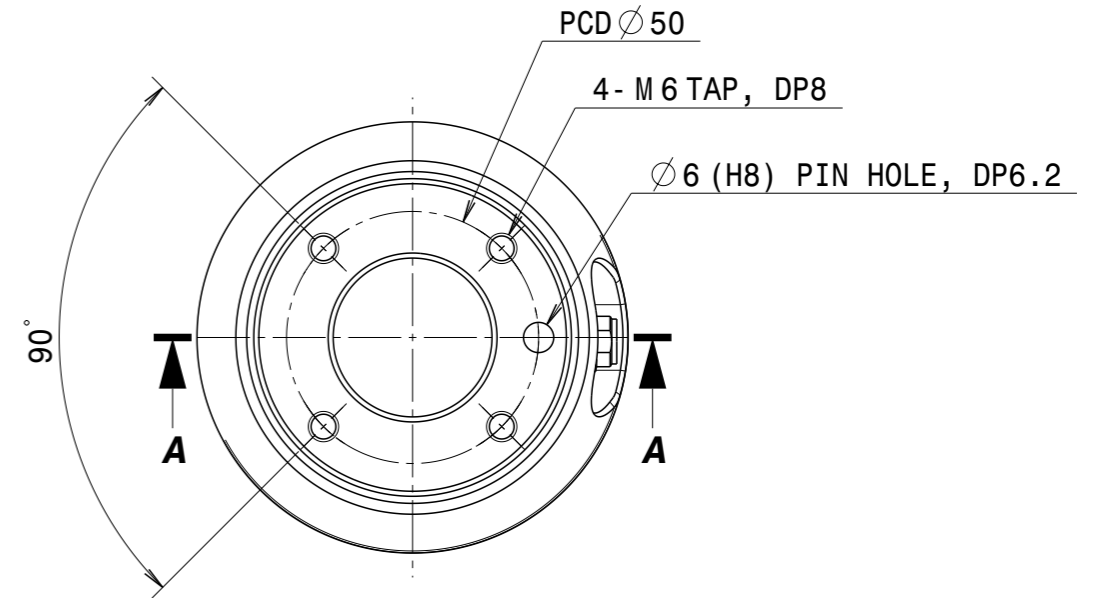


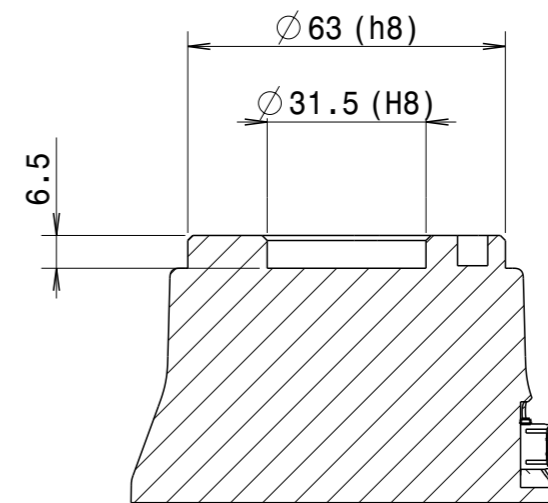
# [ BASE & FLANGE ]



**Base (1:2)**



**Tool Flange (2:3)**



**Section view A-A (2:3)**

JOINT RANGE	
AXIS	WORKING AREA (SOFTWARE LIMIT) / DEGREE
1	-360 ~ 360
2	-360 ~ 360
3	-160 ~ 160
4	-360 ~ 360
5	-360 ~ 360
6	-360 ~ 360
PAYLOAD	5kg
REACH	900mm

TITLE	LAYOUT		Q'TY	1
MODEL	A0509		W.T (kg)	21
SERIES	MAT.		SCALE	
A-SERIES	DRG. NO. A3			
DATE	21.03.03			
		<b>DOOSAN</b>		