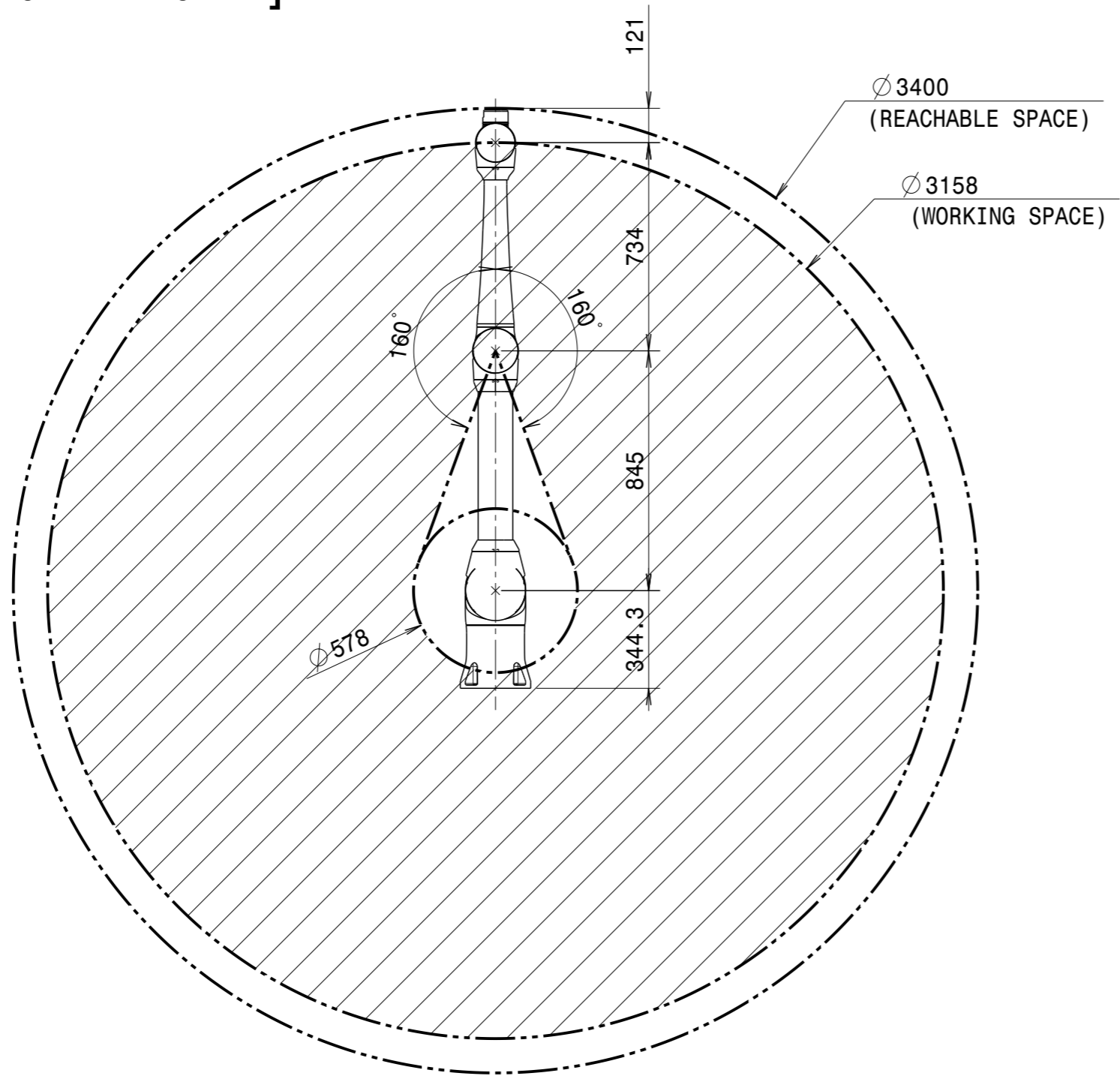
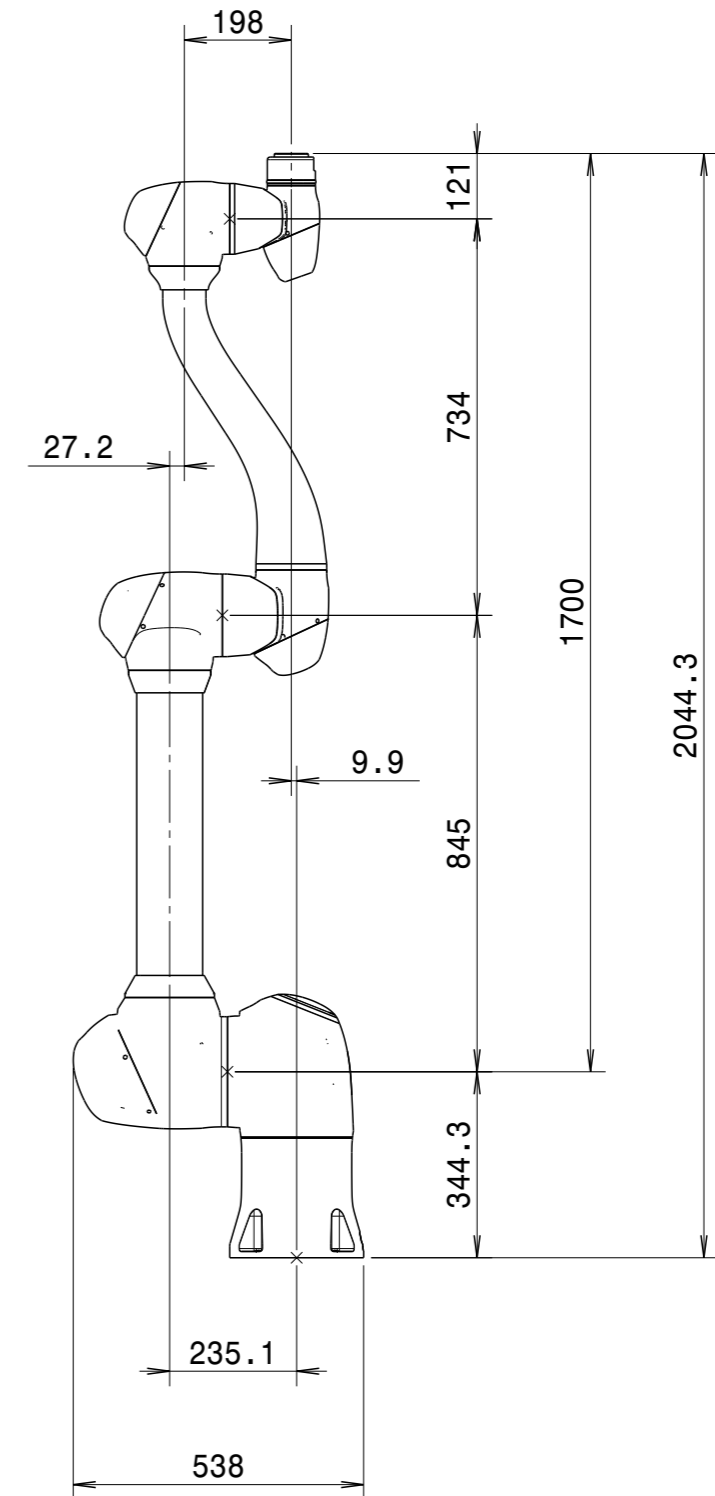


[WORKING RANGE]



Front view (1:20)



Side view (1:14)

JOINT RANGE	
AXIS	WORKING AREA (SOFTWARE LIMIT) / DEGREE
1	-360 ~ 360
2	-125 ~ 125
3	-160 ~ 160
4	-360 ~ 360
5	-360 ~ 360
6	-360 ~ 360
PAYLOAD	20kg
REACH	1700mm

TITLE	LAYOUT		Q'TY	1
MODEL	H2017		W.T (kg)	75
SERIES	MAT.		SCALE	
H-SERIES	DRG. NO.	A3		
DATE	21.03.24			
DOOSAN				