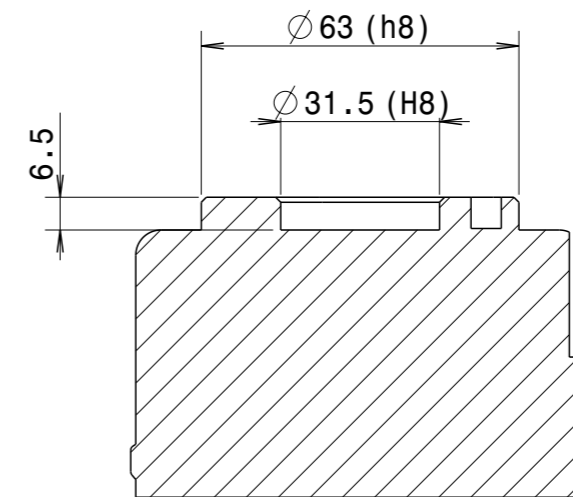
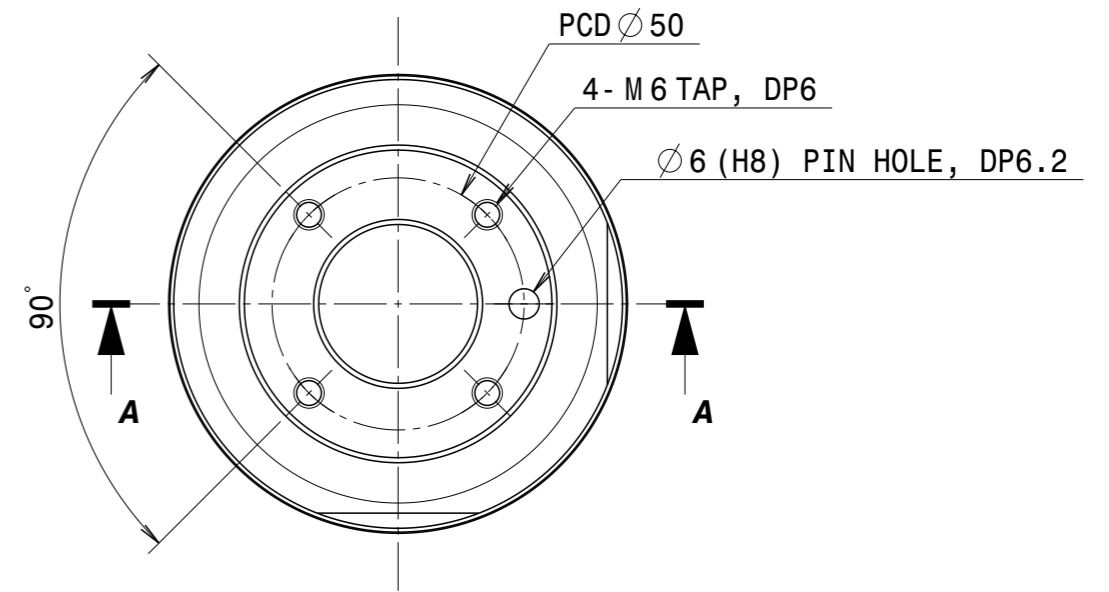
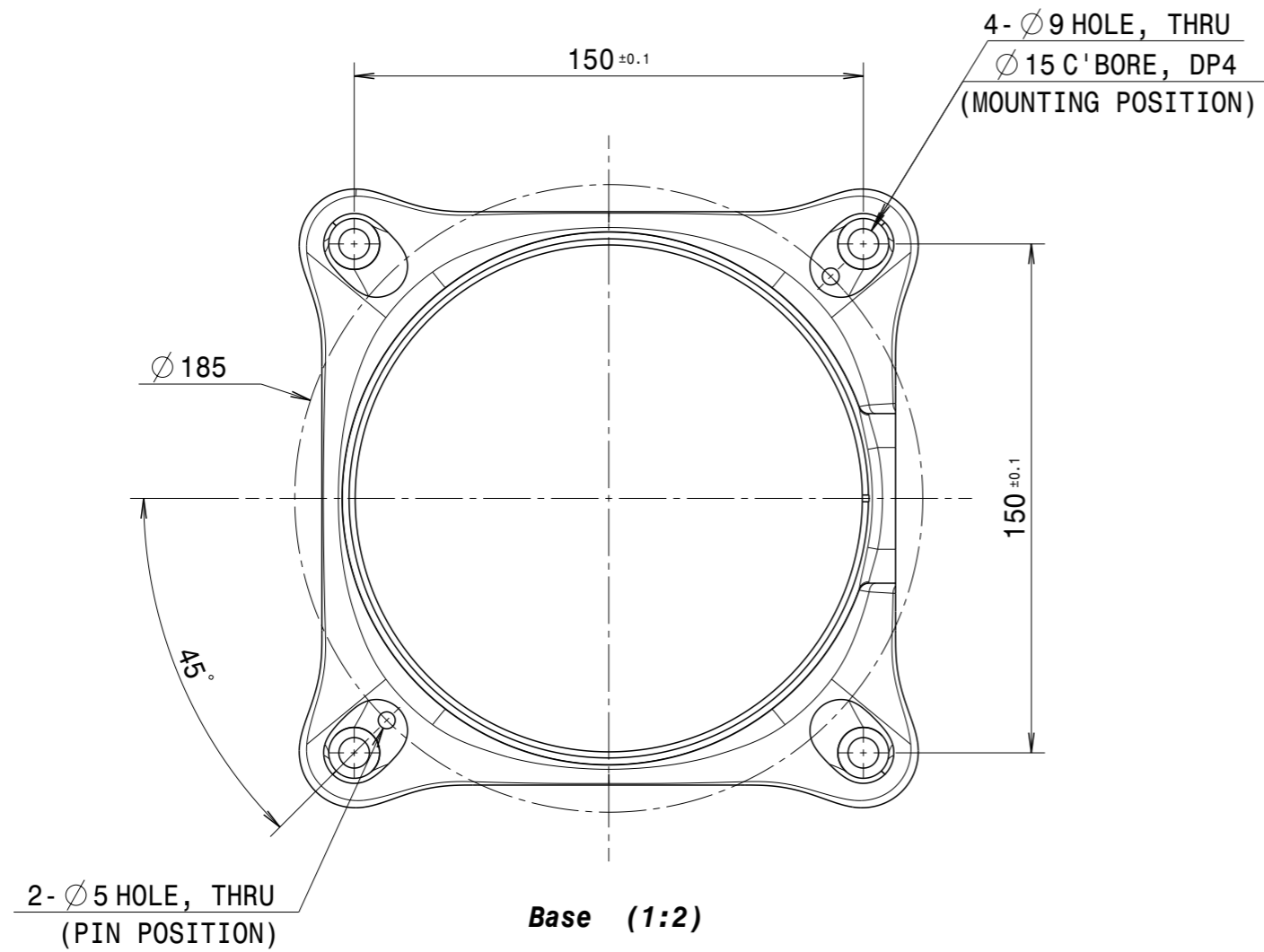


[BASE & FLANGE]



JOINT RANGE	
AXIS	WORKING AREA (SOFTWARE LIMIT) / DEGREE
1	-360 ~ 360
2	-360 ~ 360
3	-150 ~ 150
4	-360 ~ 360
5	-360 ~ 360
6	-360 ~ 360
PAYLOAD	6kg
REACH	900mm

TITLE	LAYOUT		Q'TY	1
MODEL	M0609		W.T (kg)	27
SERIES	MAT.		SCALE	
M-SERIES	DRG. NO. A3			
DATE	21.03.03			
			DOOSAN	