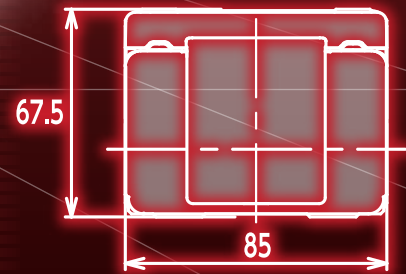
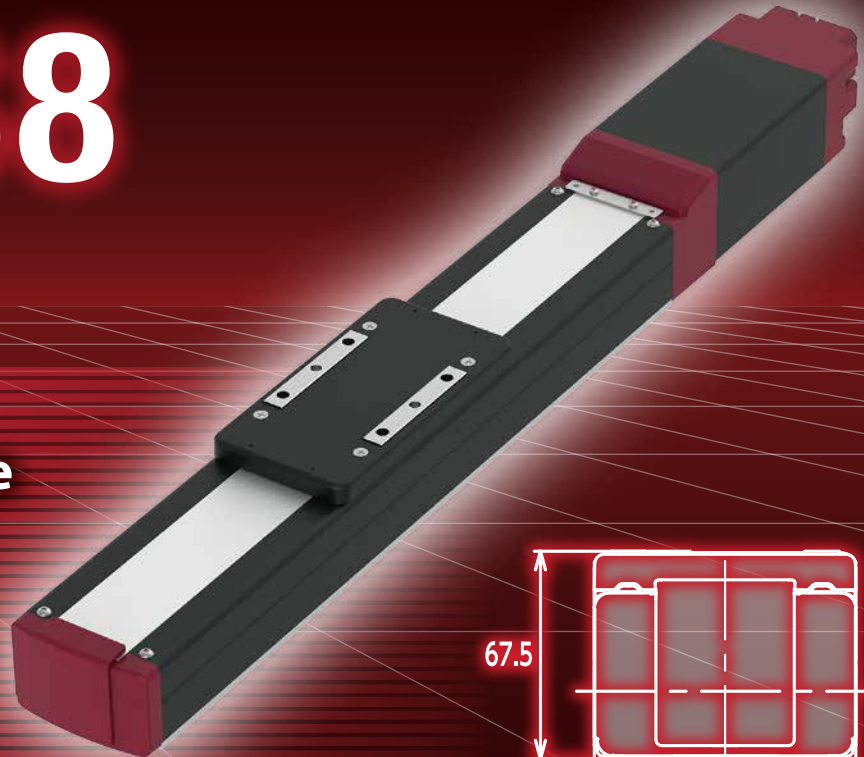


ELECYLINDER

EC-S8

NEW!

**Introducing the
High Payload
Models!**



1 Extensive Range of products

We have expanded the ELECYLINDER slider type lineup with a total of 9 new models, including options with extended strokes and cleanroom specifications.



Coupled Motor



Side-mounted motor specification



Cleanroom specification

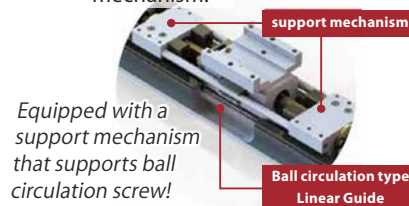
2 Impressive Maximum Payload of 80kg!

Despite its compact base size, our ELECYLINDER series offers exceptional transportability. What's more, thanks to its efficient pulse motor, it is available at an affordable price point.



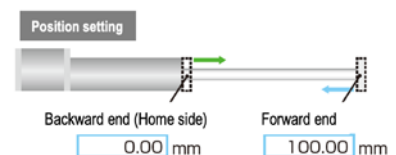
3 Extended Stroke Support

Achieve a maximum stroke of **1500mm!** The key to our ELECYLINDER series' remarkable long stroke capability lies in its innovative intermediate support mechanism.



4 Simplified Setup

With just two setting items, namely the start point and end point, configuring the ELECYLINDER series is incredibly straightforward.



Product Specification

Model Item

① EC — ② S8 (X) ③ (A) — ④ — ⑤ — (⑥)
 Series Type With Intermediate Support Lead Long Stroke Correspondence Stroke Power supply I/O cable length Option

Coupled Motor



For detailed specifications, external dimensions (2D/3D), etc. please check out the following links



EC-S8

<https://www.intelligentactuator.com/EC-S8/>



EC-S8□A

<https://www.intelligentactuator.com/EC-S8A/>



EC-S8X□A

<https://www.intelligentactuator.com/EC-S8XA/>

Body size (mm) *Without brake													
① Series	EC												
② Type	S8*				S8□A*				S8X□A				
Encoder	Incremental/battery-less absolute encoder												
Motor Type	Stepper motor (□56SP) (power capacity: max. 6A)												
③ Lead (mm)	30	20	10	5	30	20	10	5	30	20	10	5	
④ Stroke (mm) *Every 50mm	50-600				350-1100				700-1500				
Applicable controller	The EC series has a built-in controller												
⑤ Power· I/O cable length	Please check the product specifications on the homepage												
⑥ Option	Please check the product specifications on the homepage												
Horizontal	Maximum payload (kg)	23	35	70	80	23	35	70	80	18	35	70	80
	Maximum speed (mm/s)	1200	975	450	225	1200	975	450	225	1200	975	450	225
Vertical	Maximum payload (kg)	2	4	25	55	2	4	25	55	2	4	25	55
	Maximum speed (mm/s)	850	650	450	225	850	650	450	225	850	650	450	225
Allowable dynamic moment (N·m)	Ma:61 / Mb:61 / Mc:116												
Positioning repeatability (mm)	±0.05												

*Double slider specification can be selected by option. For details, please check the product specifications on the website.

Product Specification

Model Item

① EC — ② S8 (X) ③ (A) R — ④ — ⑤ — (⑥)

Series Type With Intermediate Support Lead Long Stroke Correspondence Side-mounted motor Stroke Power supply I/O cable length Option

Side-mounted motor Specification



For detailed specifications, external dimensions (2D/3D), etc. please check out the following links



EC-S8□R

<https://www.intelligentactuator.com/EC-S8R/>



EC-S8□AR

<https://www.intelligentactuator.com/EC-S8AR/>



EC-S8X□AR

<https://www.intelligentactuator.com/EC-S8XAR/>

Body size (mm) *Without brake													
① Series	EC												
② Type	S8□R*				S8□AR*				S8X□AR				
Encoder	Incremental/battery-less absolute encoder												
Motor Type	Stepper motor (□56SP) (power capacity: max. 6A)												
③ Lead (mm)	30	20	10	5	30	20	10	5	30	20	10	5	
④ Stroke (mm) *Every 50mm	50-600				350-1100				700-1500				
Applicable controller	The EC series has a built-in controller												
⑤ Power·I/O cable length	Please check the product specifications on the homepage												
⑥ Option	Please check the product specifications on the homepage												
Horizontal	Maximum payload (kg)	20	35	70	80	20	35	70	80	14	35	70	80
	Maximum speed (mm/s)	1000	900	450	225	1200	975	450	225	1200	975	450	200
Vertical	Maximum payload (kg)	2	4	25	55	2	4	25	55	2	4	25	55
	Maximum speed (mm/s)	850	650	400	200	850	650	400	200	850	650	400	200
Allowable dynamic moment (N·m)	Ma:61 / Mb:61 / Mc:116												
Positioning repeatability (mm)	±0.05												

*Double slider specification can be selected by option. For details, please check the product specifications on the website.

Product Specification

Model Item

① EC — ② S8 (X) ③ (A) CR — ④ — ⑤ — (⑥)

Series Type With Intermediate Support Lead Long Stroke Correspondence Cleanroom Specification Stroke Power supply I/O cable length Option

Cleanroom Specification



For detailed specifications, external dimensions (2D/3D), etc. please check out the following links



EC-S8□CR

<https://www.intelligentactuator.com/EC-S8CR/>



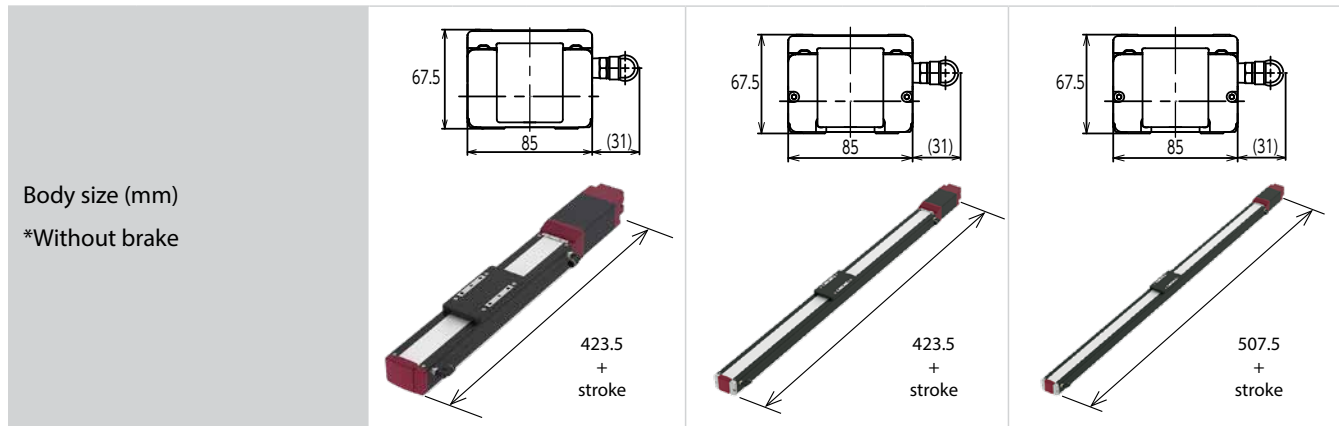
EC-S8□ACR

<https://www.intelligentactuator.com/EC-S8ACR/>



EC-S8X□ACR

<https://www.intelligentactuator.com/EC-S8XACR/>



① Series	EC												
② Type	S8□CR				S8□ACR				S8X□ACR				
Encoder	Incremental/battery-less absolute encoder												
Motor Type	Stepper motor (□56SP) (power capacity: max. 6A)												
③ Lead (mm)	30	20	10	5	30	20	10	5	30	20	10	5	
④ Stroke (mm) *Every 50mm	50-600				350-1100				700-1500				
Applicable controller	The EC series has a built-in controller												
⑤ Power• I/O cable length	Please check the product specifications on the homepage												
⑥ Option	Please check the product specifications on the homepage												
Horizontal	Maximum payload (kg)	23	35	70	80	23	35	70	80	18	35	70	80
	Maximum speed (mm/s)	1200	975	450	225	1200	975	450	225	1200	975	450	225
Vertical	Maximum payload (kg)	2	4	25	55	2	4	25	55	2	4	25	55
	Maximum speed (mm/s)	850	650	450	225	850	650	450	225	850	650	450	225
Allowable dynamic moment (N·m)	Ma:61 / Mb:61 / Mc:116												
Positioning repeatability (mm)	±0.05												
Cleanliness	ISO Class 3 (ISO 14644-1)												
Suction Volume (NL/min)	115	85	75	30	115	85	75	30	125	95	75	60	

IAI America, Inc.

USA Headquarters & Western Region (Los Angeles): 2690 W. 237th Street, Torrance, CA 90505 (310) 891-1712

Midwest Branch Office (Chicago): 110 E. State Pkwy, Schaumburg, IL 60173 (874) 908-0333

Southeast Branch Office (Atlanta): 1220 Kennestone Circle, Suite 108, Marietta, GA 30066 (678) 354-9470

www.intelligentactuator.com

JAPAN Headquarters: 577-1 Obane, Shimizu-ku, Shizuoka-shi, Shizuoka, 424-0103, JAPAN

The information contained in this product brochure may change without prior notice due to product improvements.

IAI Industrieroboter GmbH

Ober der Röth 4, D-65824 Schwalbach am Taunus, Germany

IAI (Shanghai) Co., Ltd.

Shanghai Jiahua Business Center A8-303, 808, Hongqiao Rd., Shanghai 200030, China

IAI Robot (Thailand) Co., Ltd.

825 Phairojkijja Tower 7th Floor, Debaratana Rd., Bangna Nuea, Bangna, Bangkok 10260, Thailand