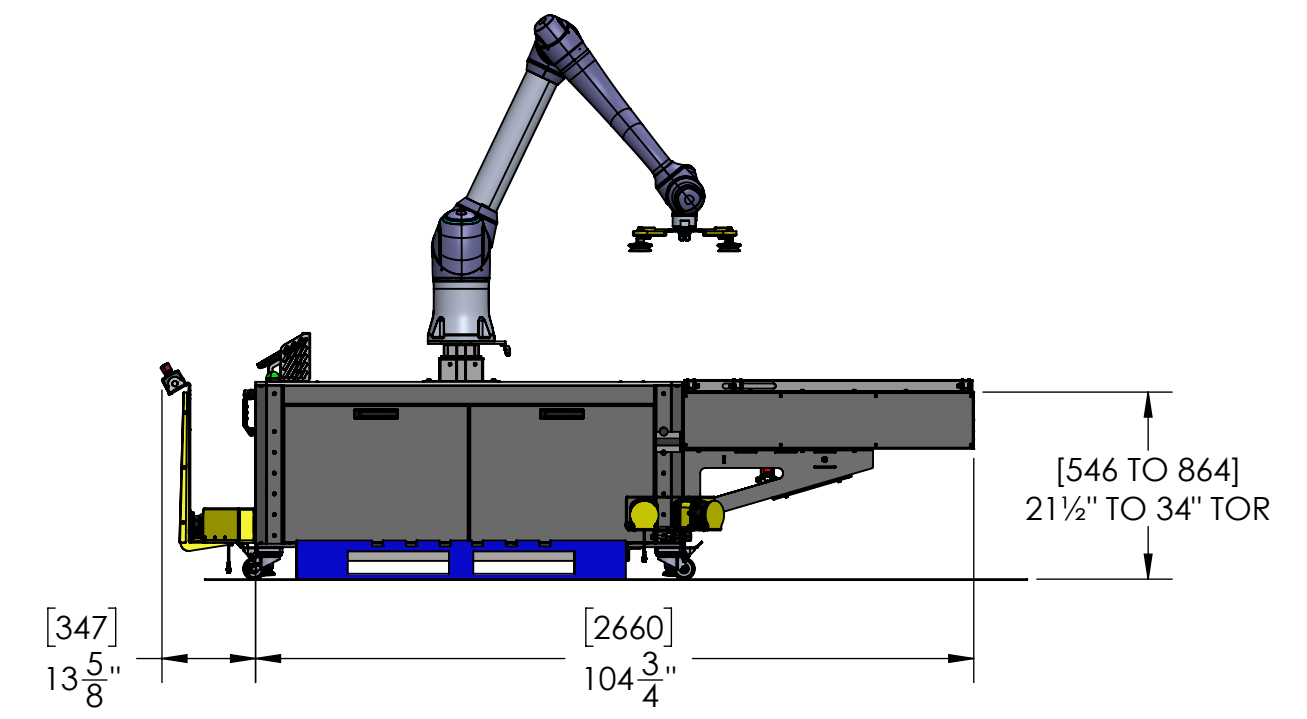
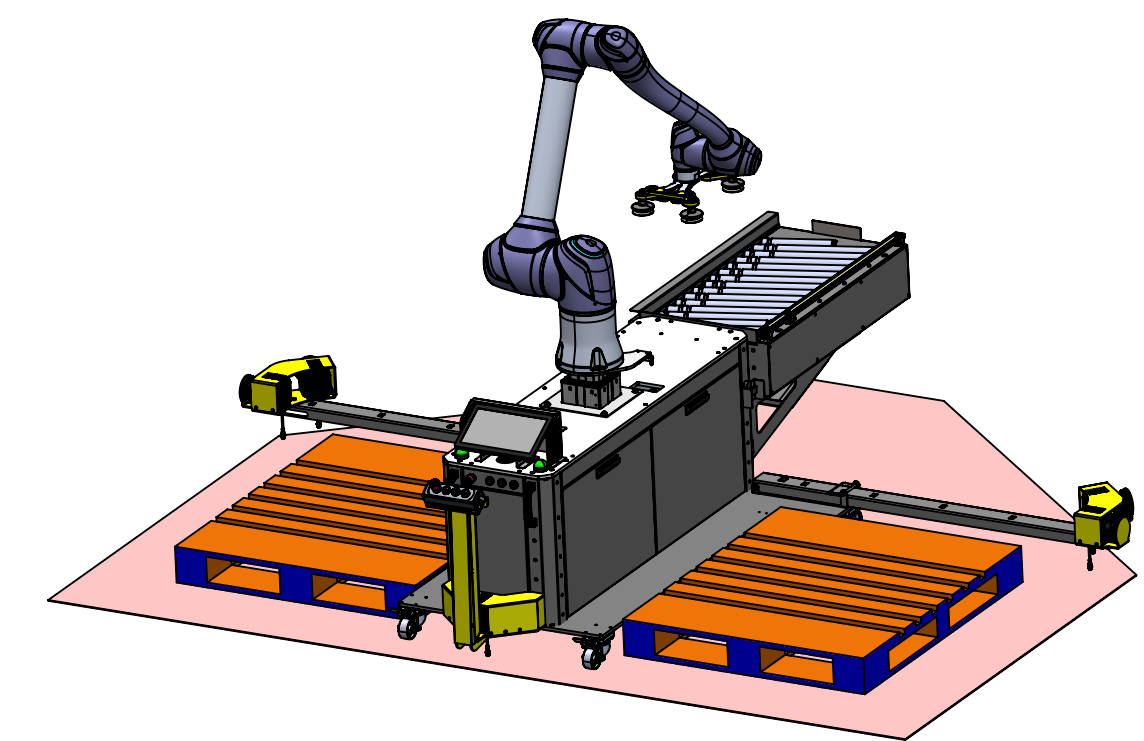
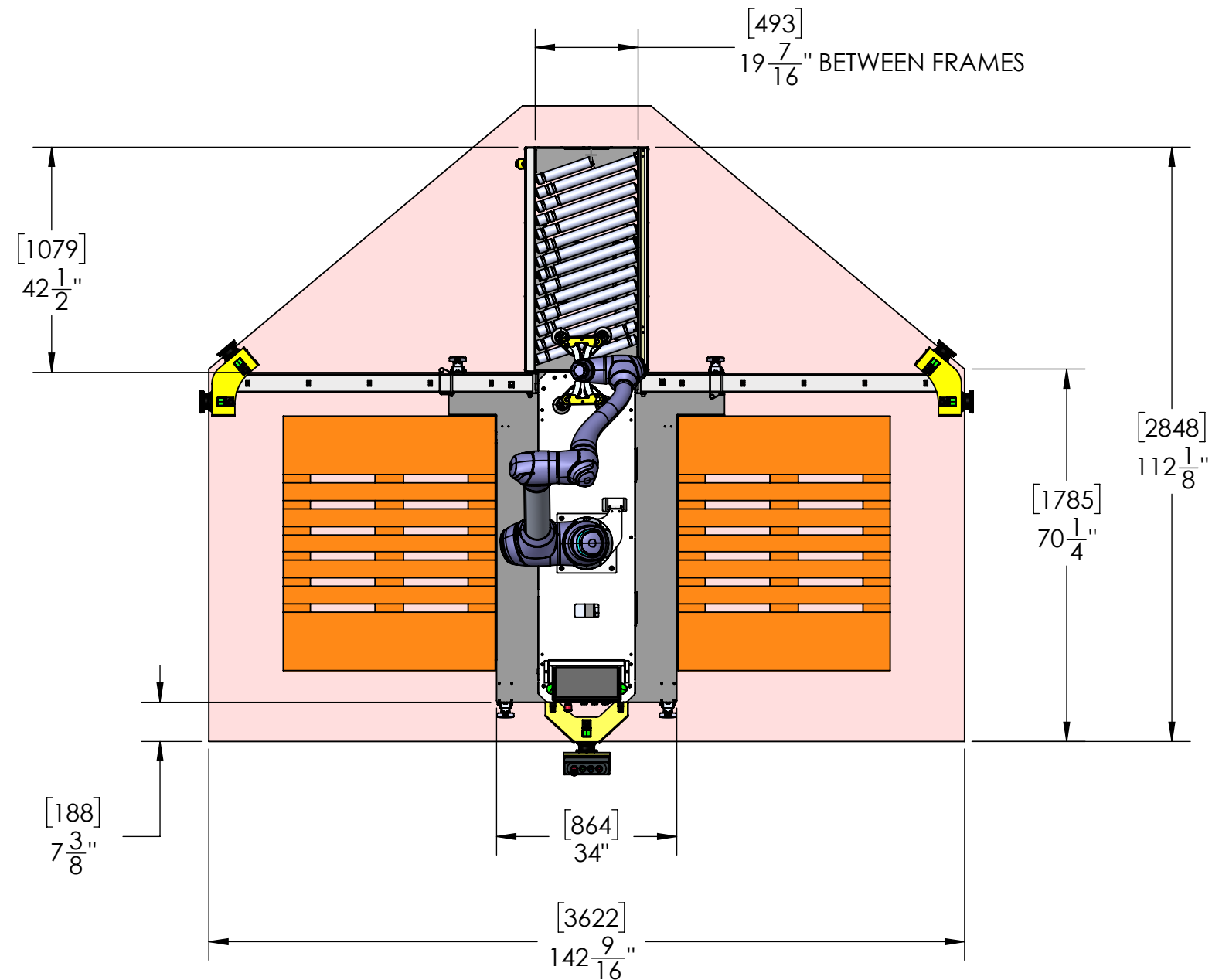


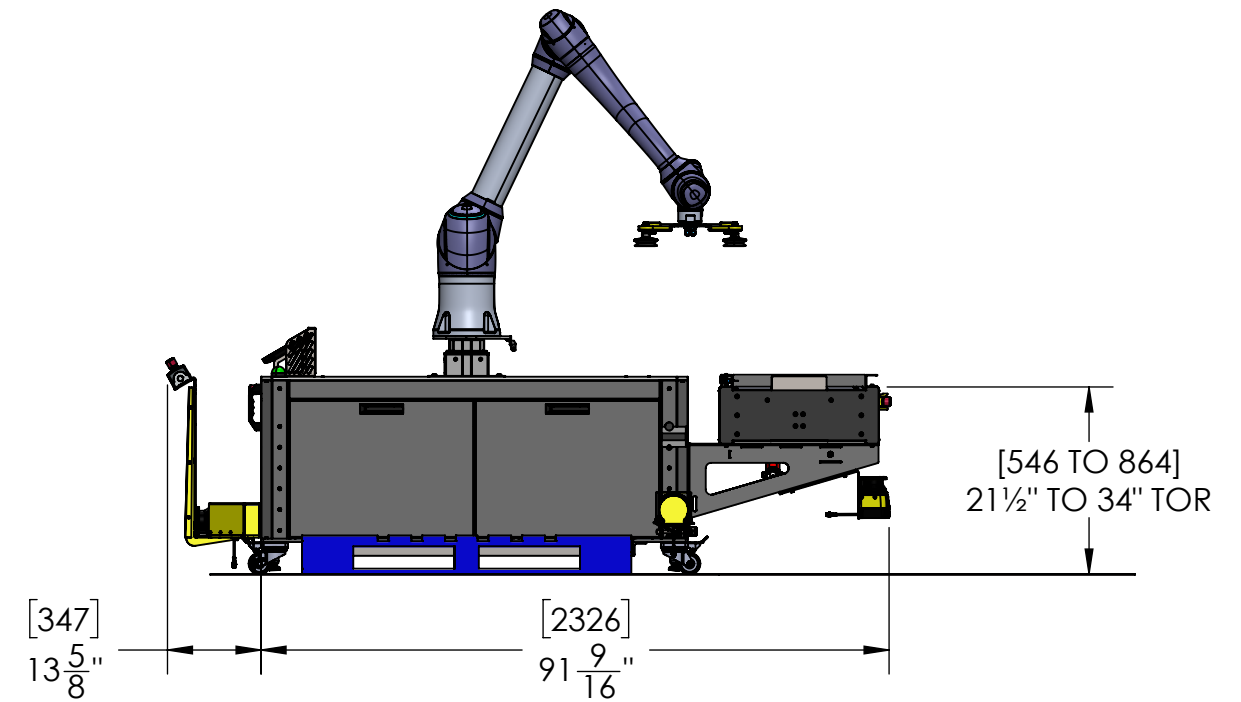
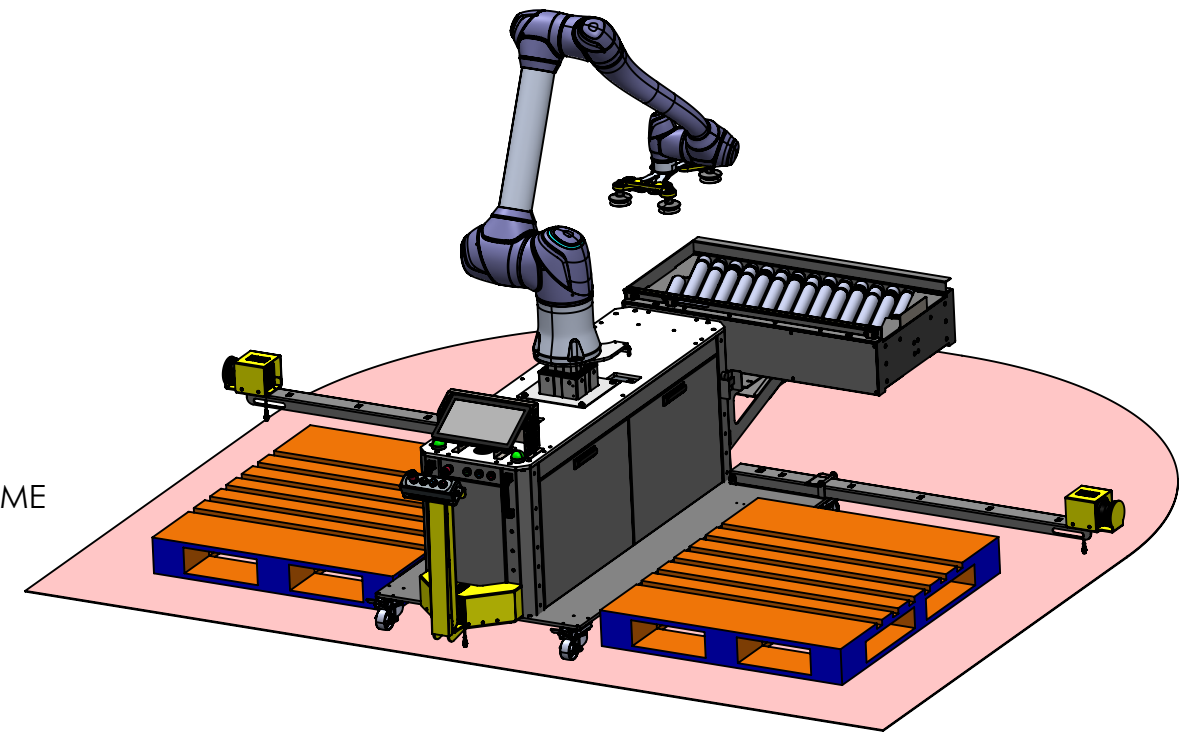
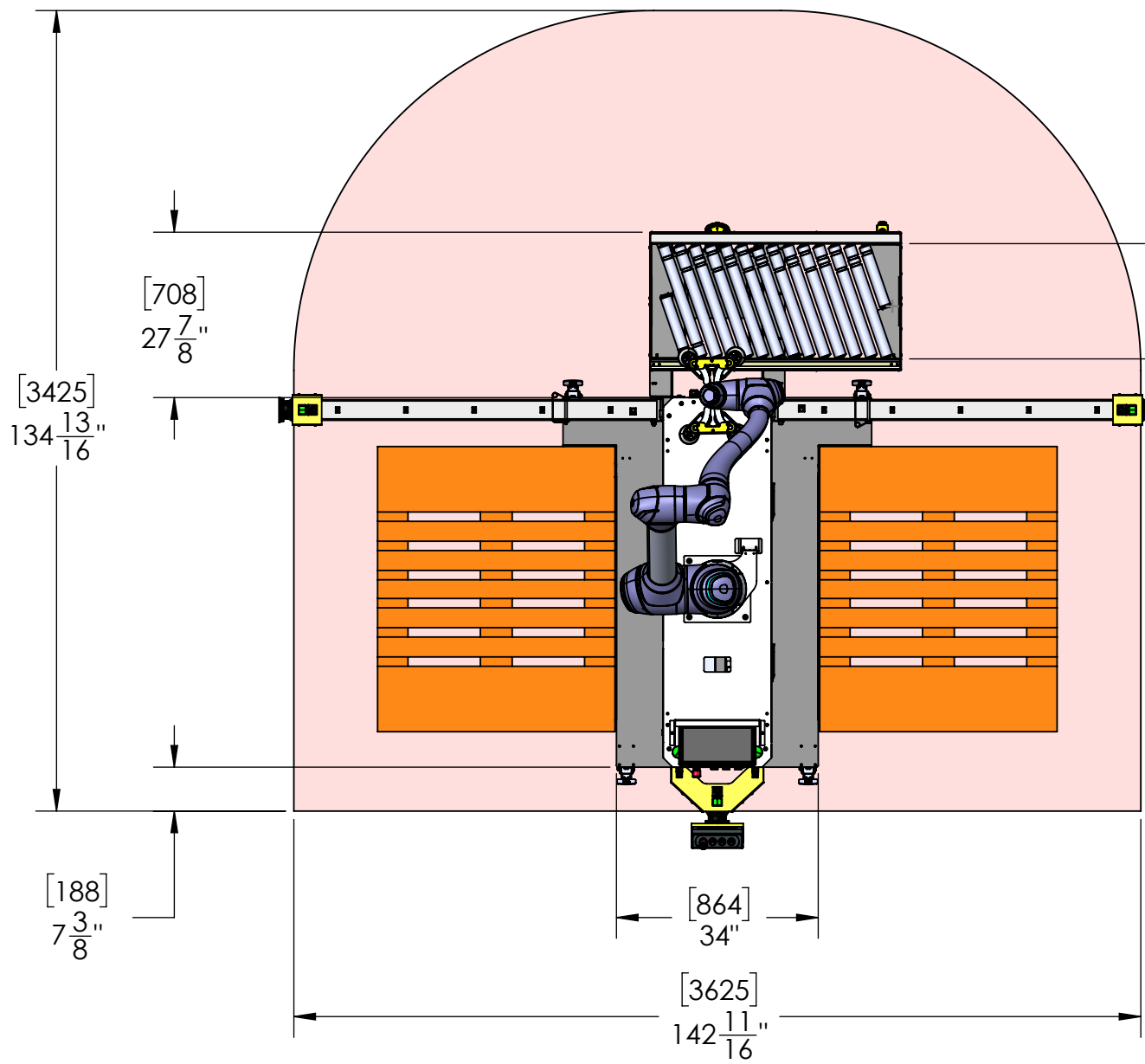
6 5 4 3 2 1

F  
E  
D  
C  
B  
A

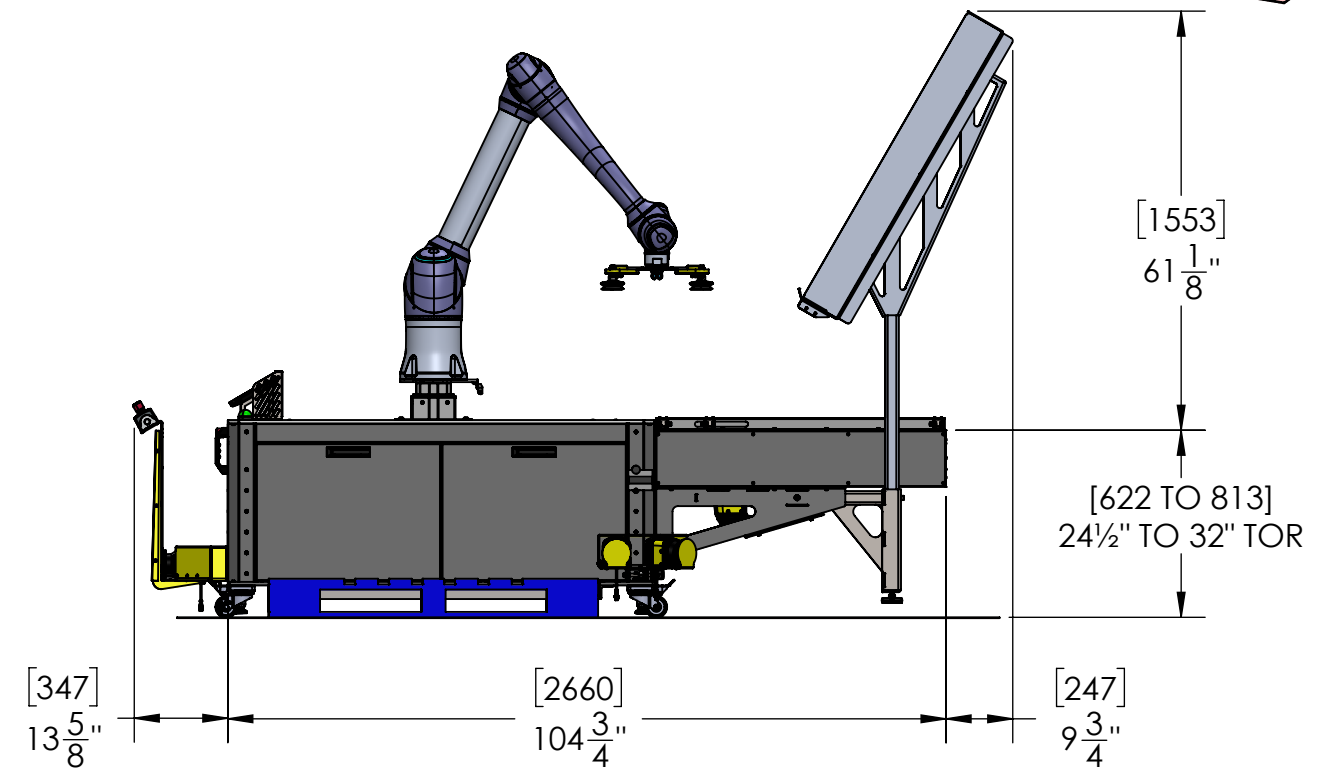
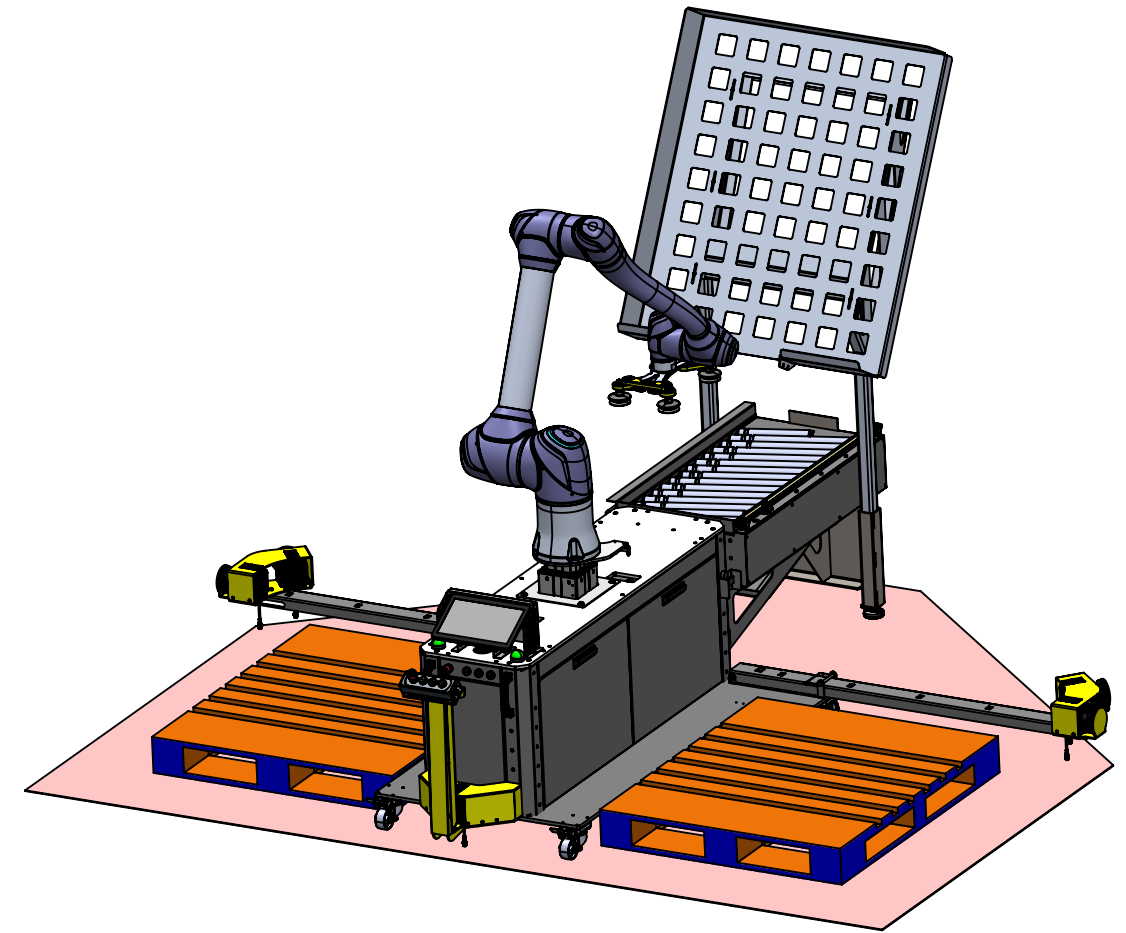
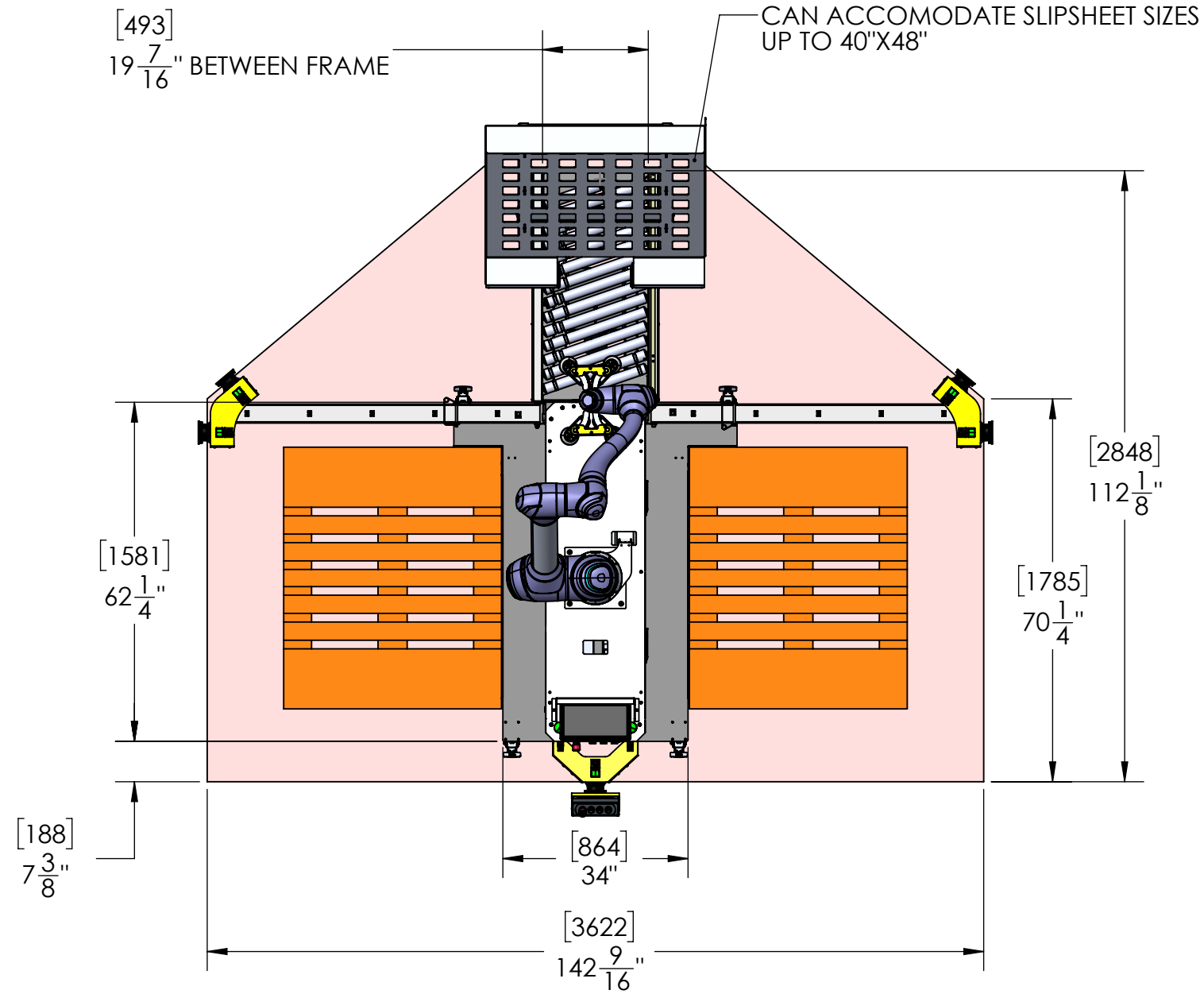


<p>THIS DOCUMENT CONTAINS CONFIDENTIAL AND PROPRIETARY INFORMATION OF BEROBX INC. AND IS PROTECTED BY COPYRIGHT, TRADE SECRET AND OTHER STATE AND FEDERAL LAWS. ITS RECEIPT OR POSSESSION DOES NOT CONVEY ANY RIGHTS TO REPRODUCE, DISCLOSE ITS CONTENTS, OR TO MANUFACTURE, USE OR SELL ANYTHING IT MAY DESCRIBE. REPRODUCTION, DISCLOSURE OR USE WITHOUT SPECIFIC WRITTEN AUTHORIZATION OF BEROBX INC. IS STRICTLY FORBIDDEN.</p>	<b>GENERAL TOLERANCES</b> (UNLESS OTHERWISE SPECIFIED) FRACTIONAL : ± 1/32" X.X : ± .020 X.XX : ± .010 X.XXX : ± .005 ANGLE : ± 1°		DRAWING NUMBER <b>PALTZ.17CSV</b>		DRAWING TITLE <b>PALTZ DOOSAN H2017 - NO OPTIONS</b>	
	DIMENSIONS ARE IN: <b>INCHES</b>		DESIGNED / DRAWN BY <b>HFTOPPING</b>		DATE 2023-09-14	
	BREAK ALL SHARP EDGES		CHECKED BY		DATE	
	IN ACCORDANCE WITH ASME Y14.5-2009. DO NOT SCALE DRAWING.		MASS 0.00 lb	DWG REV <b>B</b>	SCALE 1:28	SIZE <b>B</b>
				FINISH	SHEET 1/3	

6 5 4 3 2 1



	<b>GENERAL TOLERANCES</b> (UNLESS OTHERWISE SPECIFIED) FRACTIONAL : ± 1/32" X.X : ± .020 X.XX : ± .010 X.XXX : ± .005 ANGLE : ± 1°		DRAWING NUMBER <b>PALTZ.17CSV</b>		DRAWING TITLE <b>PALTZ DOOSAN H2017 - DUAL PALLETIZING</b>		
	THIS DOCUMENT CONTAINS CONFIDENTIAL AND PROPRIETARY INFORMATION OF BEROBX INC. AND IS PROTECTED BY COPYRIGHT, TRADE SECRET AND OTHER STATE AND FEDERAL LAWS. ITS RECEIPT OR POSSESSION DOES NOT CONVEY ANY RIGHTS TO REDUCE, DISCLOSE ITS CONTENTS, OR TO MANUFACTURE, USE OR SELL ANYTHING IT MAY DESCRIBE. REPRODUCTION, DISCLOSURE OR USE WITHOUT SPECIFIC WRITTEN AUTHORIZATION OF BEROBX INC. IS STRICTLY FORBIDDEN.		DESIGNED / DRAWN BY <b>HFTOPPING</b>		DATE <b>2023-09-14</b>		
DIMENSIONS ARE IN: <b>INCHES</b>		CHECKED BY		DATE		FINISH	
BREAK ALL SHARP EDGES		IN ACCORDANCE WITH ASME Y14.5-2009. DO NOT SCALE DRAWING.		MASS <b>0.00 lb</b>		DWG REV <b>B</b>	
				SCALE <b>1:28</b>		SIZE <b>B</b>	
				SHEET <b>2/3</b>			



	<b>GENERAL TOLERANCES</b> (UNLESS OTHERWISE SPECIFIED) FRACTIONAL : ± 1/32" X.X : ± .020 X.XX : ± .010 X.XXX : ± .005 ANGLE : ± 1°		DRAWING NUMBER <b>PALTZ.17CSV</b>		DRAWING TITLE <b>PALTZ DOOSAN H2017 - SLIPSHEET</b>			
	THIS DOCUMENT CONTAINS CONFIDENTIAL AND PROPRIETARY INFORMATION OF BEROBX INC. AND IS PROTECTED BY COPYRIGHT, TRADE SECRET AND OTHER STATE AND FEDERAL LAWS. ITS RECEIPT OR POSSESSION DOES NOT CONVEY ANY RIGHTS TO REDUCE, DISCLOSE ITS CONTENTS, OR TO MANUFACTURE, USE OR SELL ANYTHING IT MAY DESCRIBE. REPRODUCTION, DISCLOSURE OR USE WITHOUT SPECIFIC WRITTEN AUTHORIZATION OF BEROBX INC. IS STRICTLY FORBIDDEN.		DESIGNED / DRAWN BY <b>HFTOPPING</b>		DATE <b>2023-09-14</b>			
DIMENSIONS ARE IN: <b>INCHES</b>		CHECKED BY		DATE		FINISH		
BREAK ALL SHARP EDGES		IN ACCORDANCE WITH ASME Y14.5-2009. DO NOT SCALE DRAWING.		MASS <b>0.00 lb</b>	DWG REV <b>B</b>	SCALE <b>1:28</b>	SIZE <b>B</b>	SHEET <b>3/3</b>