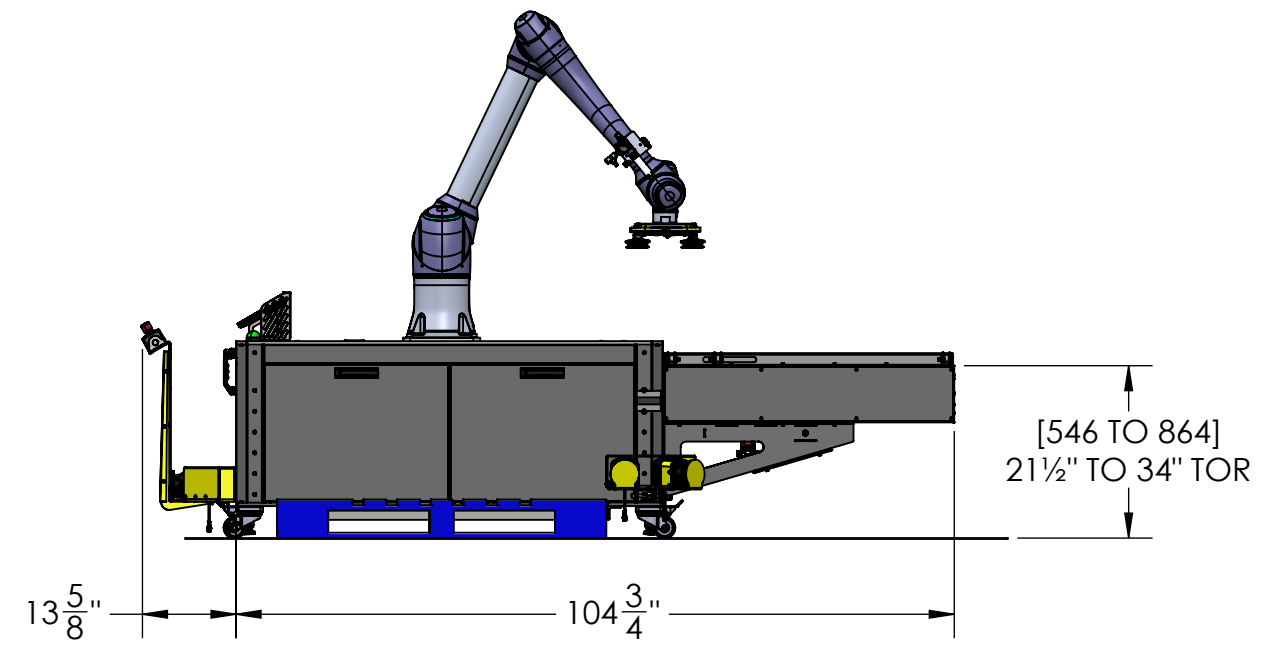
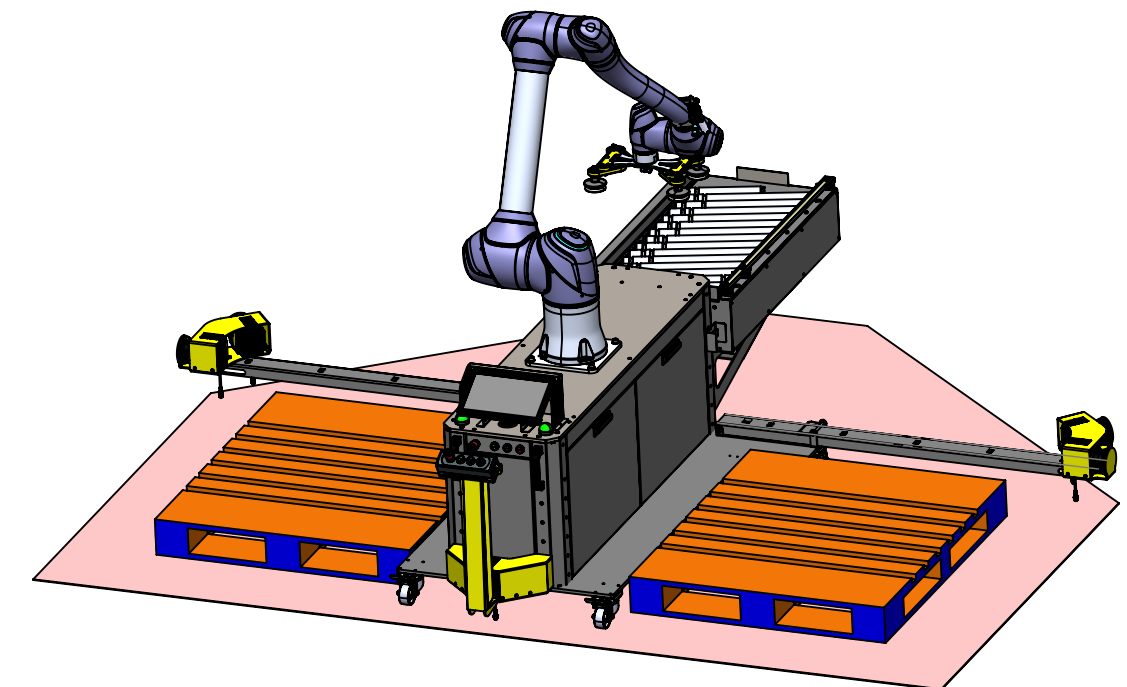
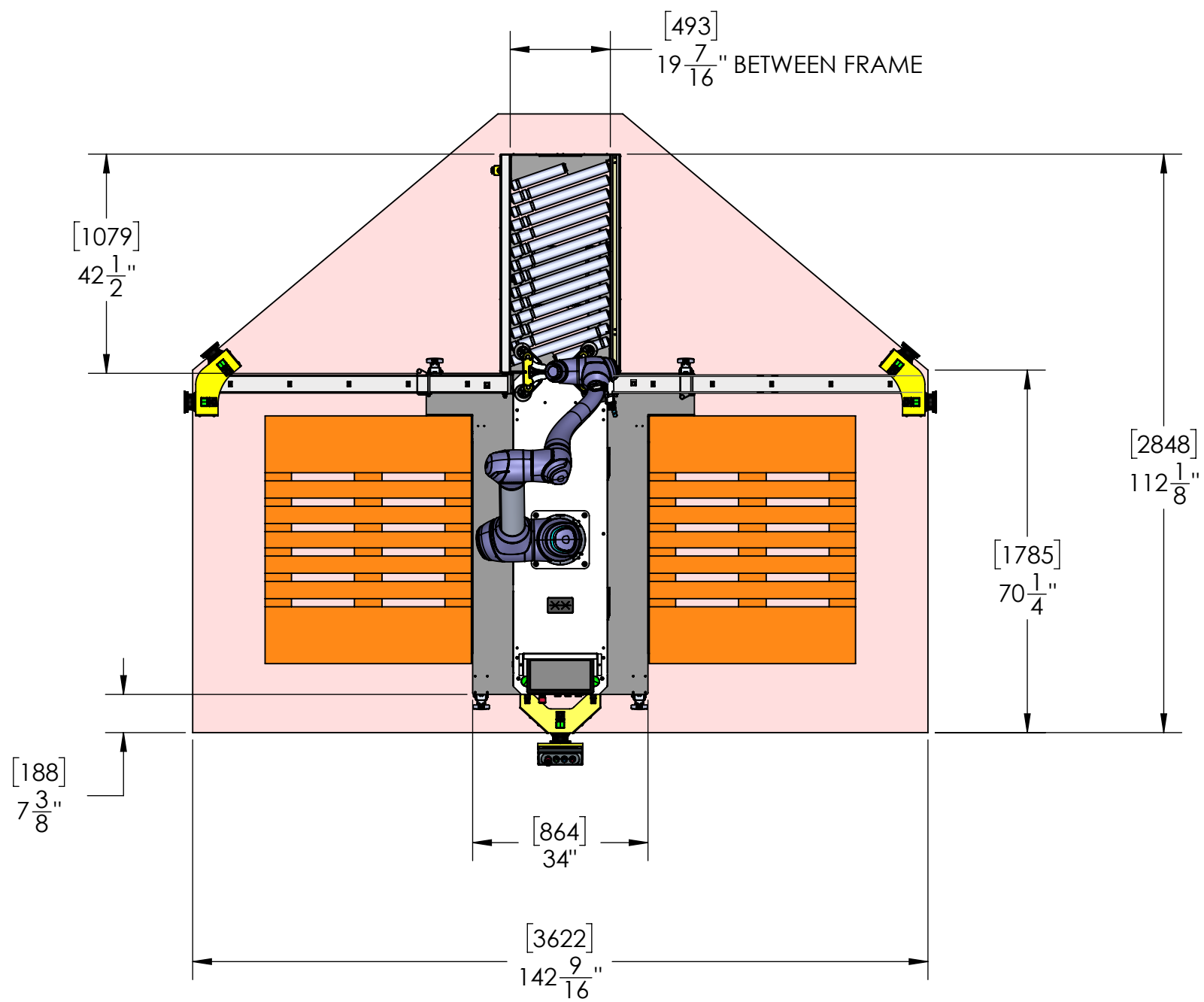


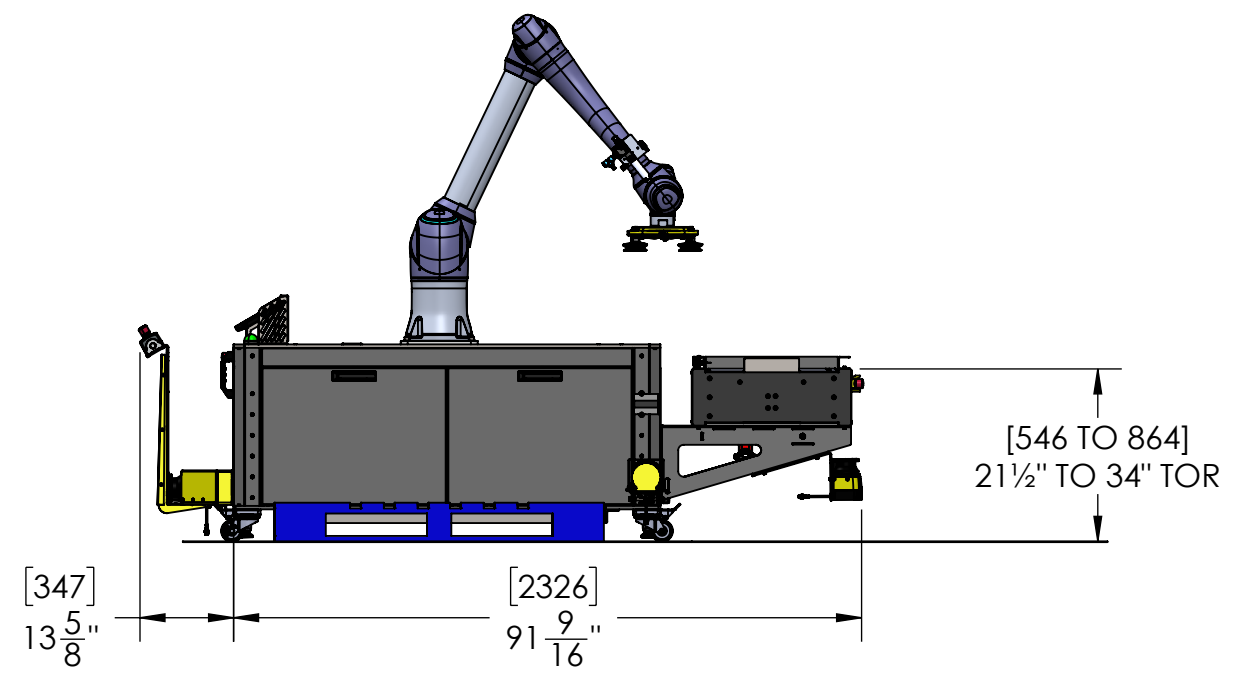
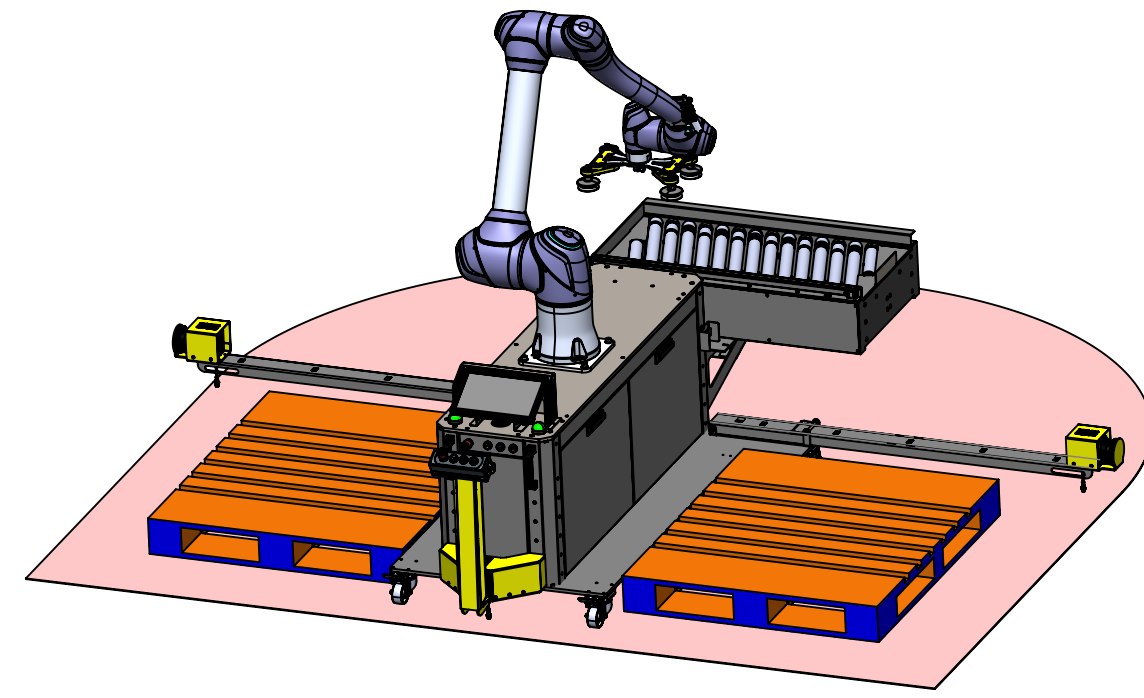
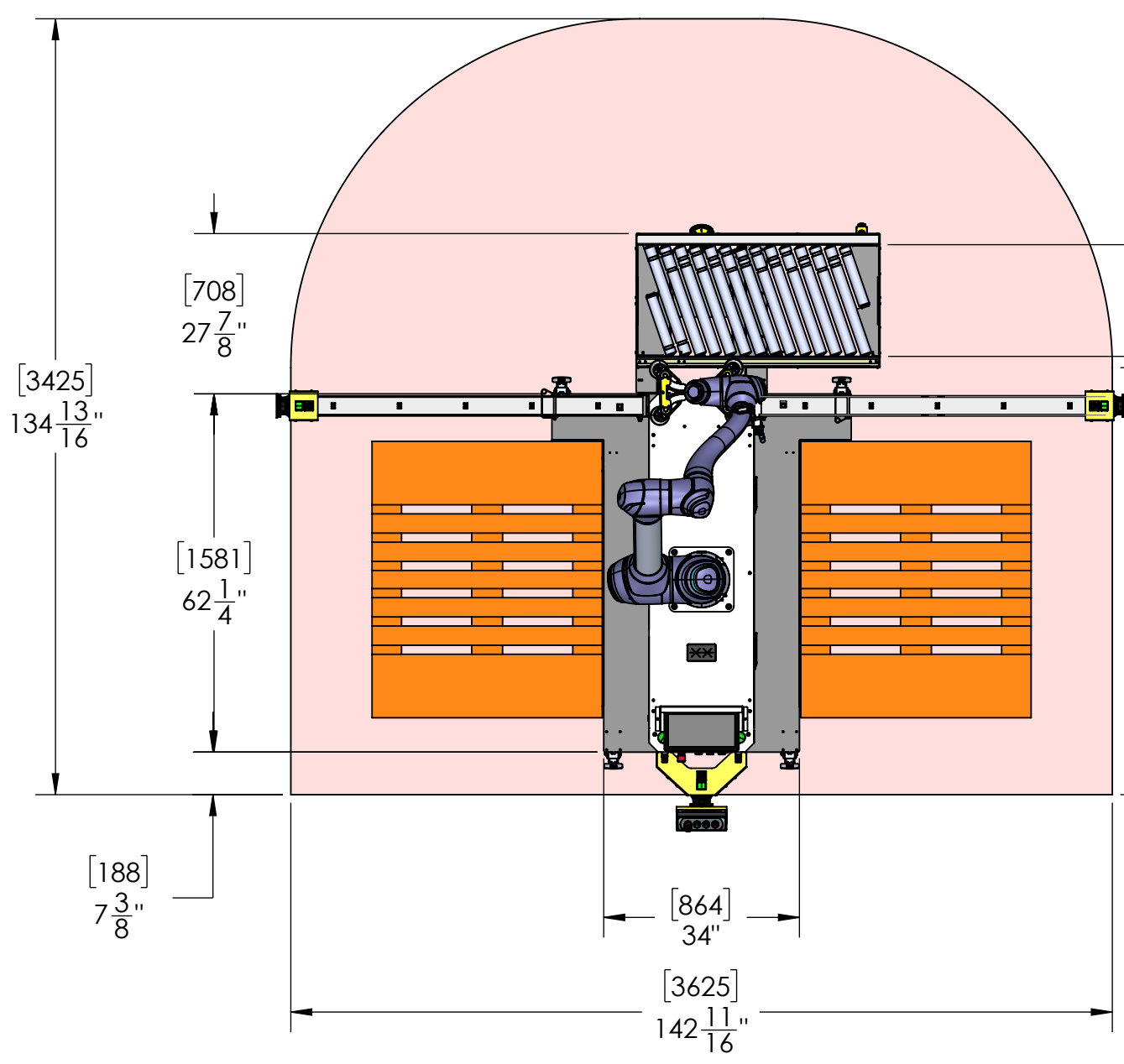
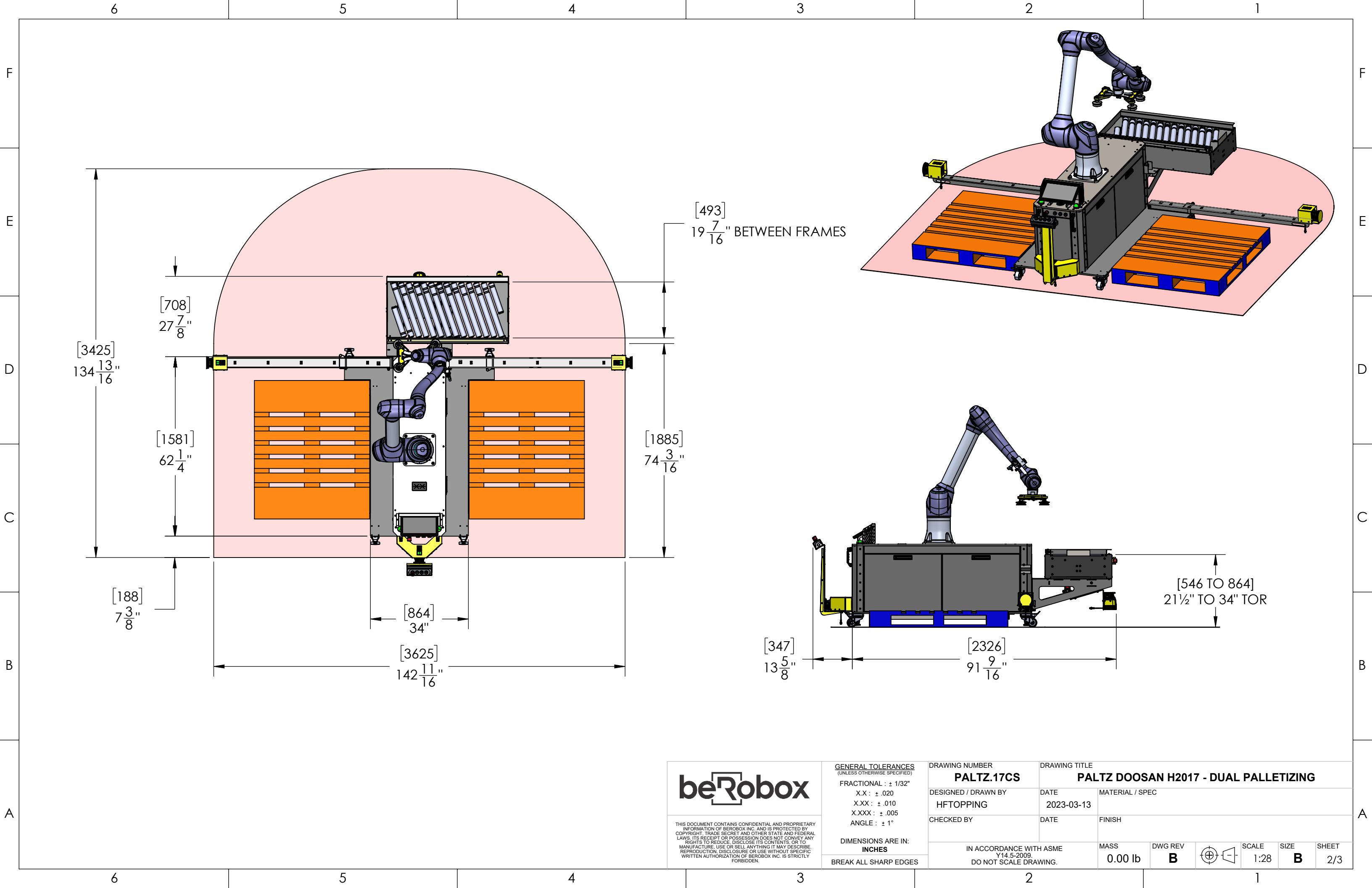
6 5 4 3 2 1

F
E
D
C
B
A



	GENERAL TOLERANCES (UNLESS OTHERWISE SPECIFIED) FRACTIONAL : ± 1/32" X.X : ± .020 X.XX : ± .010 X.XXX : ± .005 ANGLE : ± 1°		DRAWING NUMBER PALTZ.17CS		DRAWING TITLE PALTZ DOOSAN H2017 - NO OPTIONS		
	DIMENSIONS ARE IN: INCHES		DESIGNED / DRAWN BY HFTOPPING		DATE 2023-03-13		
THIS DOCUMENT CONTAINS CONFIDENTIAL AND PROPRIETARY INFORMATION OF BEROBX INC. AND IS PROTECTED BY COPYRIGHT, TRADE SECRET AND OTHER STATE AND FEDERAL LAWS. ITS RECEIPT OR POSSESSION DOES NOT CONVEY ANY RIGHTS TO REDUCE, DISCLOSE ITS CONTENTS, OR TO MANUFACTURE, USE OR SELL ANYTHING IT MAY DESCRIBE. REPRODUCTION, DISCLOSURE OR USE WITHOUT SPECIFIC WRITTEN AUTHORIZATION OF BEROBX INC. IS STRICTLY FORBIDDEN.		CHECKED BY		DATE		FINISH	
BREAK ALL SHARP EDGES		IN ACCORDANCE WITH ASME Y14.5-2009. DO NOT SCALE DRAWING.		MASS 0.00 lb		DWG REV B	
				SCALE 1:28		SIZE B	
						SHEET 1/3	

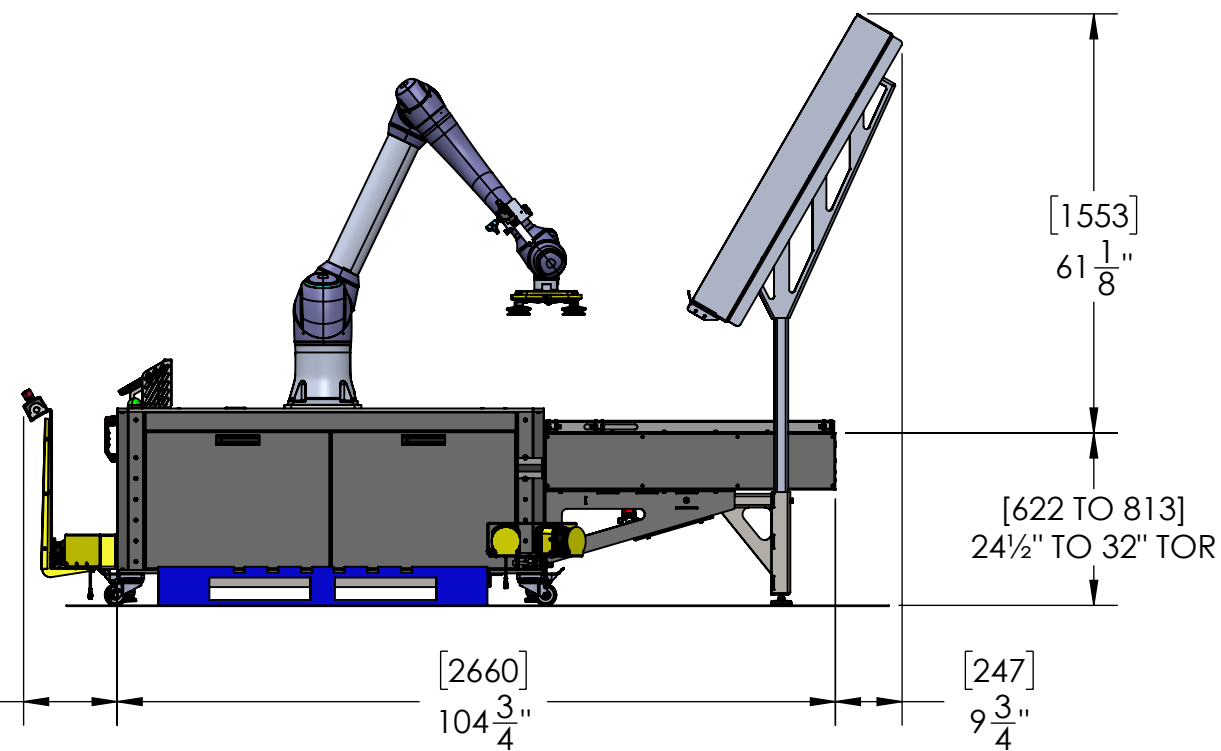
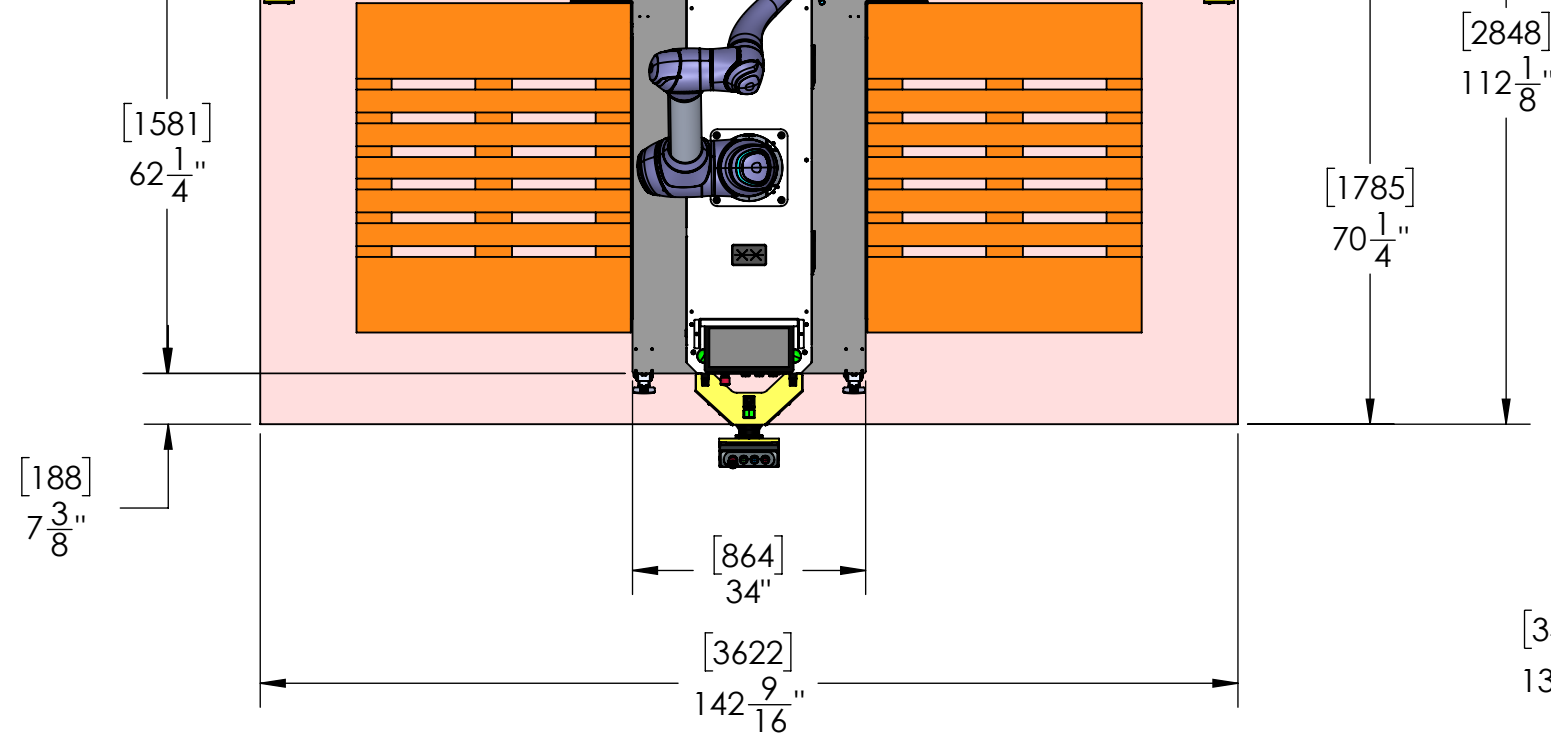
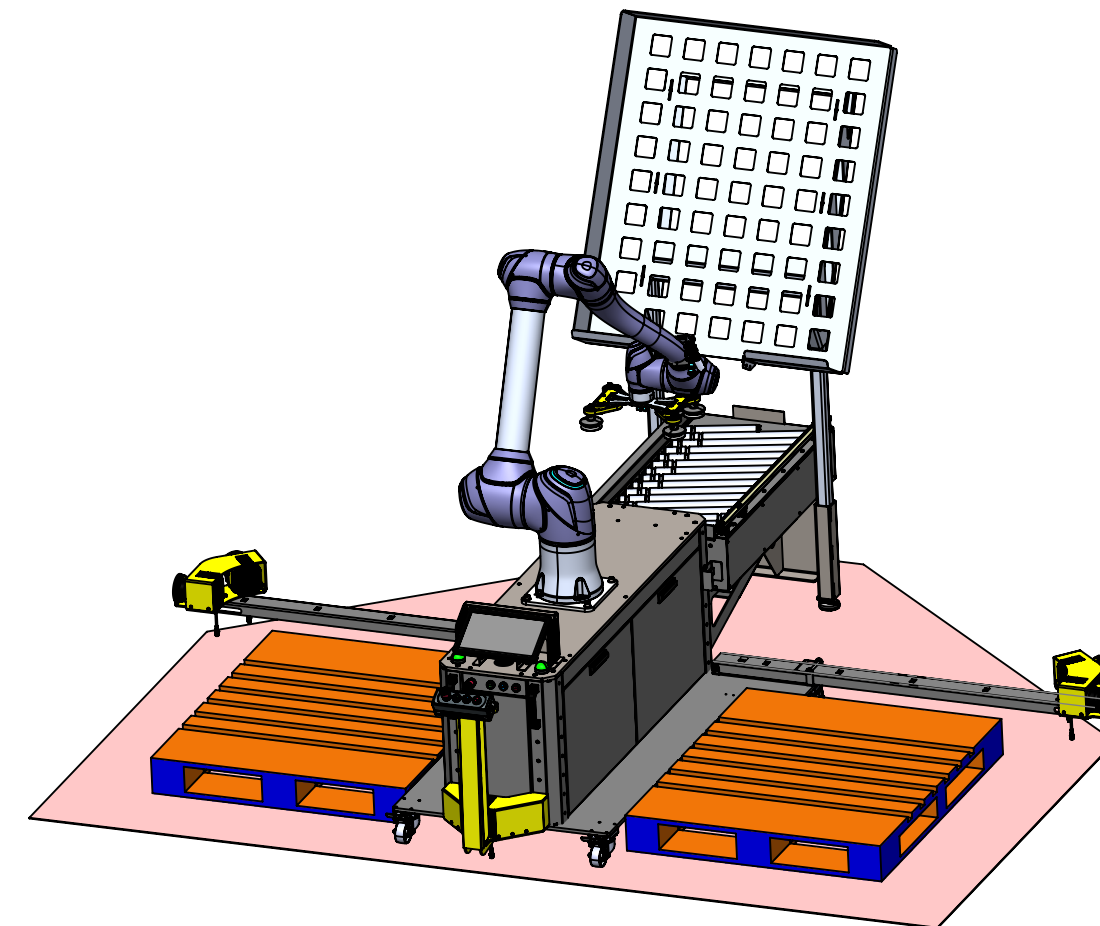
6 5 4 3 2 1



	GENERAL TOLERANCES (UNLESS OTHERWISE SPECIFIED) FRACTIONAL : ± 1/32" X.X : ± .020 X.XX : ± .010 X.XXX : ± .005 ANGLE : ± 1°		DRAWING NUMBER PALTZ.17CS		DRAWING TITLE PALTZ DOOSAN H2017 - DUAL PALLETIZING	
	THIS DOCUMENT CONTAINS CONFIDENTIAL AND PROPRIETARY INFORMATION OF BEROBX INC. AND IS PROTECTED BY COPYRIGHT, TRADE SECRET AND OTHER STATE AND FEDERAL LAWS. ITS RECEIPT OR POSSESSION DOES NOT CONVEY ANY RIGHTS TO REDUCE, DISCLOSE ITS CONTENTS, OR TO MANUFACTURE, USE OR SELL ANYTHING IT MAY DESCRIBE. REPRODUCTION, DISCLOSURE OR USE WITHOUT SPECIFIC WRITTEN AUTHORIZATION OF BEROBX INC. IS STRICTLY FORBIDDEN.		DIMENSIONS ARE IN: INCHES BREAK ALL SHARP EDGES		DESIGNED / DRAWN BY HFTOPPING	
			CHECKED BY		DATE	
			IN ACCORDANCE WITH ASME Y14.5-2009. DO NOT SCALE DRAWING.		MATERIAL / SPEC	
			MASS 0.00 lb		DWG REV B	
					SCALE 1:28	
			SIZE B		SHEET 2/3	

[493]
19 ⁷/₁₆" BETWEEN FRAME

CAN ACCOMODATE SLIPSHEET SIZES UP TO 40"X48"



	GENERAL TOLERANCES (UNLESS OTHERWISE SPECIFIED) FRACTIONAL : ± 1/32" X.X : ± .020 X.XX : ± .010 X.XXX : ± .005 ANGLE : ± 1°		DRAWING NUMBER PALTZ.17CS		DRAWING TITLE PALTZ DOOSAN H2017 - SLIPSHEET		
	THIS DOCUMENT CONTAINS CONFIDENTIAL AND PROPRIETARY INFORMATION OF BEROBX INC. AND IS PROTECTED BY COPYRIGHT, TRADE SECRET AND OTHER STATE AND FEDERAL LAWS. ITS RECEIPT OR POSSESSION DOES NOT CONVEY ANY RIGHTS TO REPRODUCE, DISCLOSE ITS CONTENTS, OR TO MANUFACTURE, USE OR SELL ANYTHING IT MAY DESCRIBE. REPRODUCTION, DISCLOSURE OR USE WITHOUT SPECIFIC WRITTEN AUTHORIZATION OF BEROBX INC. IS STRICTLY FORBIDDEN.		DESIGNED / DRAWN BY HFTOPPING		DATE 2023-03-13		
DIMENSIONS ARE IN: INCHES		CHECKED BY		DATE		FINISH	
BREAK ALL SHARP EDGES		IN ACCORDANCE WITH ASME Y14.5-2009. DO NOT SCALE DRAWING.		MASS 0.00 lb		DWG REV B	
				SCALE 1:28		SIZE B	
				SHEET 3/3			