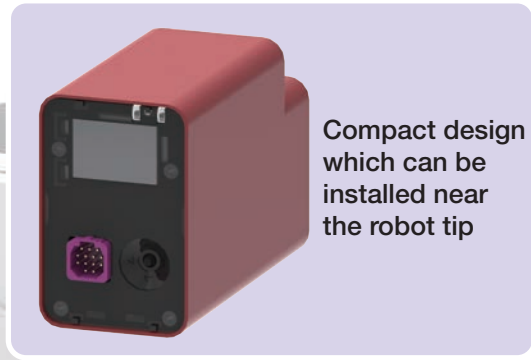
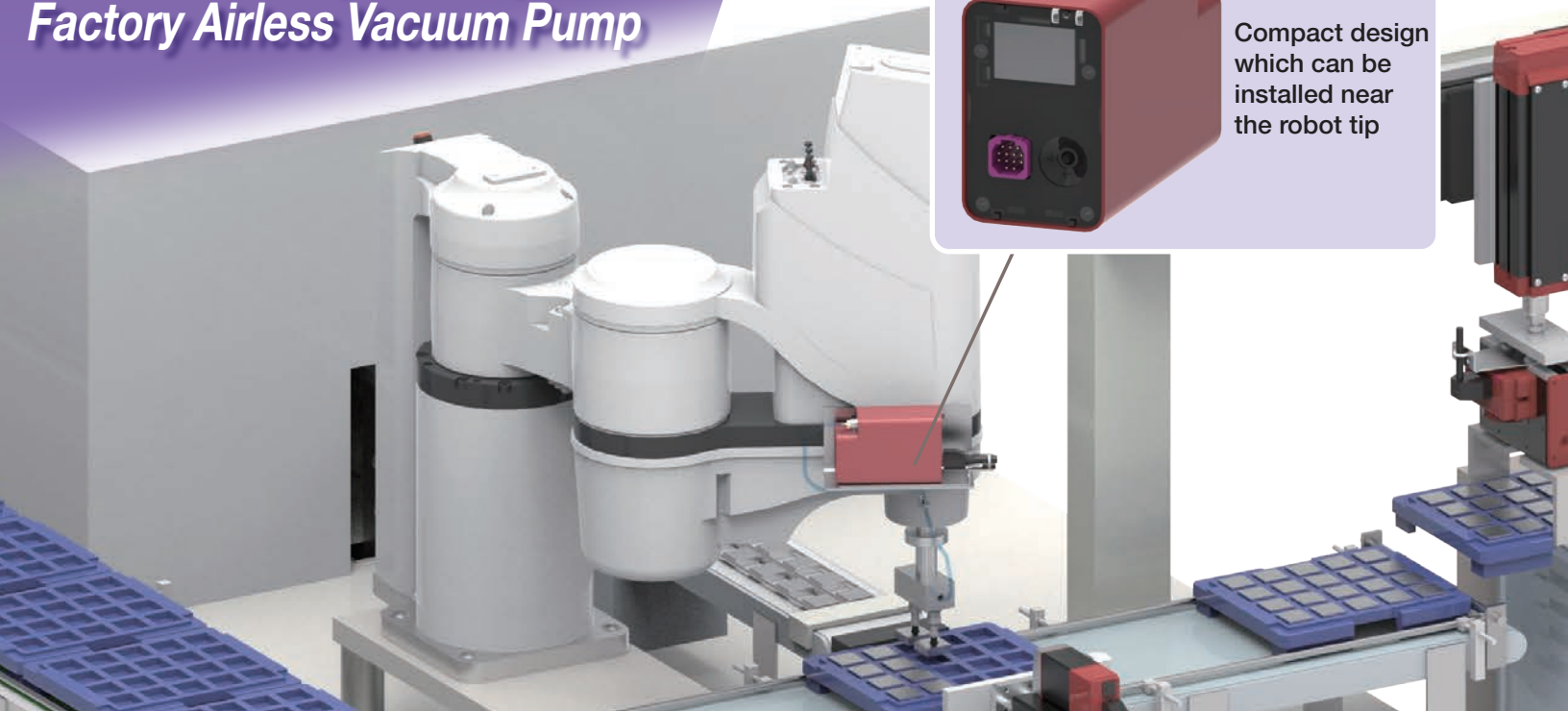


ROBOPUMP

New Release
Environmentally Friendly
Factory Airless Vacuum Pump



Compact design which can be installed near the robot tip



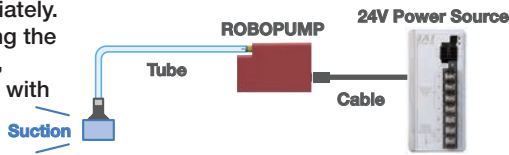
Equipment can be *entirely electric* with ROBO Pump®.



Click here for movie

No piping necessary

Unlike an ejector, no air piping, compressor, or solenoid valve is required. Simply connect the ROBO Pump to the cable and power supply, and it can be activated immediately. Additionally, by equipping the wireless feature (option), wireless communication with a teaching tool can be performed.



Compact and Easy

This palm-size unit requires very little installation space. The unit contains a built-in solenoid valve and pressure sensor, making it ideal for suctioning lightweight objects.



Main Unit Features

The display unit is capable of showing the current pressure and alarm details. Additionally, various settings such as threshold values and parameters can be set with the operation switches (four-way + center push type).

Operation switches



Display panel

Pressure
 -54 kPa
 Current Pressure Display

Alarm
 Code EC1
 Detail 0001
 Address 0000
 Alarm Display

Threshold
 Suction -45kPa
 Release -4kPa
 Threshold Setting

Parameter1
 PIOpattern 1
 Energy sav. 0
 ReleaseT. 1.0s
 Parameter Change

Model
number

RP - VPM -

Series

Type

(Every 1m)
Power & Communication
Cable length(Every 1m)
Power · I/O Cable
Cable length

Options

VPM Vacuum Pump (Standard)

1	1m
to	to
10	10m

(Note) When using the interface box, 9m is the maximum available.

0	No Cable Terminal block connector is included when "ACR" is not selected *
1 to 9	1m to 9m standard cable included
S1 to S9	1m to 9m 4-way connector cable included

* When selecting RCON-EC connection specification (ACR), select "0." * Power · I/O connector is not included.

(S): 4-way connector cable

(Note) Make sure that the total length along with the actuator cable is 10m or less.

Power · I/O Cable * Only a terminal block connector is included.

Standard connector cable		
Cable code	Cable length	User Wiring Type Flying leads CB-EC-PWBIO□□□-RB enclosed
0	No Cable	* The only accessory provided is the terminal block.
1 to 3	1 to 3m	✓
4 to 5	4 to 5m	✓
6 to 9	6 to 9m	✓

4-way connector cable		
Cable code	Cable length	User Wiring Type Flying leads CB-EC2-PWBIO□□□-RB enclosed
S1 to S3	1 to 3m	✓
S4 to S5	4 to 5m	✓
S6 to S9	6 to 9m	✓

(Note) Robot cable.

Blank	NPN specification (Connected via I/F box) No option
ACR	RCON-EC connection specification ¹
PN	PNP specification (Connected via I/F box) ¹
WL	Wireless communication specification (Connected via I/F box) ²

¹ "PN" cannot be selected when "ACR" is selected.

(I/O for "ACR" option is NPN only)

² "WL" cannot be selected when "ACR" is selected.

(When using wireless communication, an interface box and cable must be purchased separately.)

Product Price

Specification
RCON-EC connection specification (Note1)
NPN/PNP specification

(Note1) Make sure to select "ACR" in the options.

Power & Communication Cable

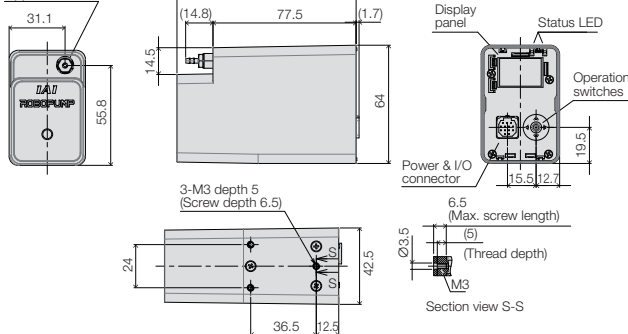
Cable code	Cable length
1 to 3	1 to 3m
4 to 5	4 to 5m
6 to 10	6 to 10m

(Note) Robot cable.

Specification

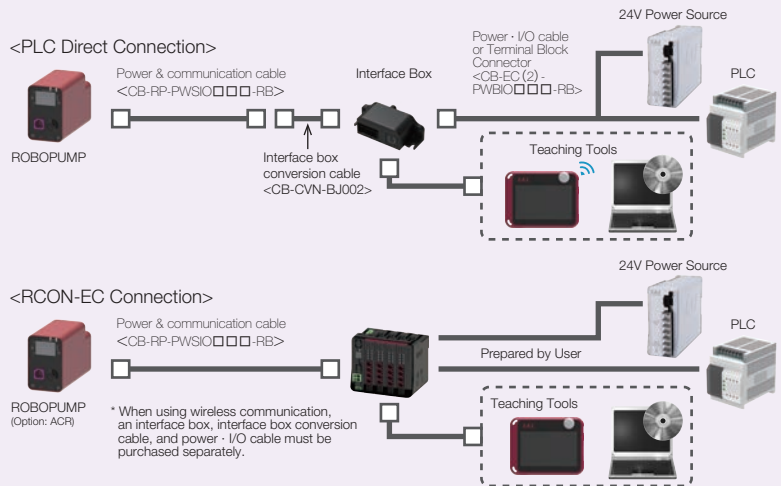
Item	Contents
Withdrawal Method	Vent to atmosphere
Pump Type	Diaphragm Pump System
Power supply voltage	24VDC±10%
Power supply current	Rated 0.8A maximum 1.3A
Vacuum pressure	-50kPa or less
Generated flow volume	1.8L/min or more
Air suction fitting size	For $\Phi 4 \times 2.5$ mm tube
Installation orientation	Horizontal
Ambient operating temperature	0 to 40°C
Ambient operating humidity	85% RH or less (no condensation)
Allowable Duty Cycle	100% Duty cycle operation available * Duty (%) = Vacuum Time / (Vacuum Time + Stop Time)
Protection rating	IP20
Mass	320g

Appearance

CAD drawings can be downloaded from our website.
www.intelligentactuator.comAir suction fitting
Applicable tube $\Phi 4 \times 2.5$ mm

Connected

* For individual model numbers and connection limitations, refer to the instruction manual.



Reference for Loadable Workpiece Mass

Suction Cup Diameter (mm)	Top suction payload (kgf) <Safety Margin 4>	Side suction payload (kgf) <Safety Margin 8>
1	0.001	0.0005
3	0.009	0.0045
6	0.036	0.018
10	0.1	0.05
15	0.225	0.113
20	0.401	0.2

(Pressure -50kPa, Nitrile Rubber Pad)

