

WHITE PAINT IMA-WP INTEGRATED MOTOR ACTUATOR IMA-WP

The white epoxy IMA is a durable, high force rod-style actuator with an IP67 rating. The IMA integrates a servo motor into a ball or roller screw-driven actuator to provide efficient high force in a compact lightweight design envelope. Features suited to challenging food & beverage environment include: Food grade white epoxy paint, stainless steel components, Viton seals and food grade grease. Built-to-order in stroke lengths up to 450 mm (18"). Contact Tolomatic for lead time.

Modifications:

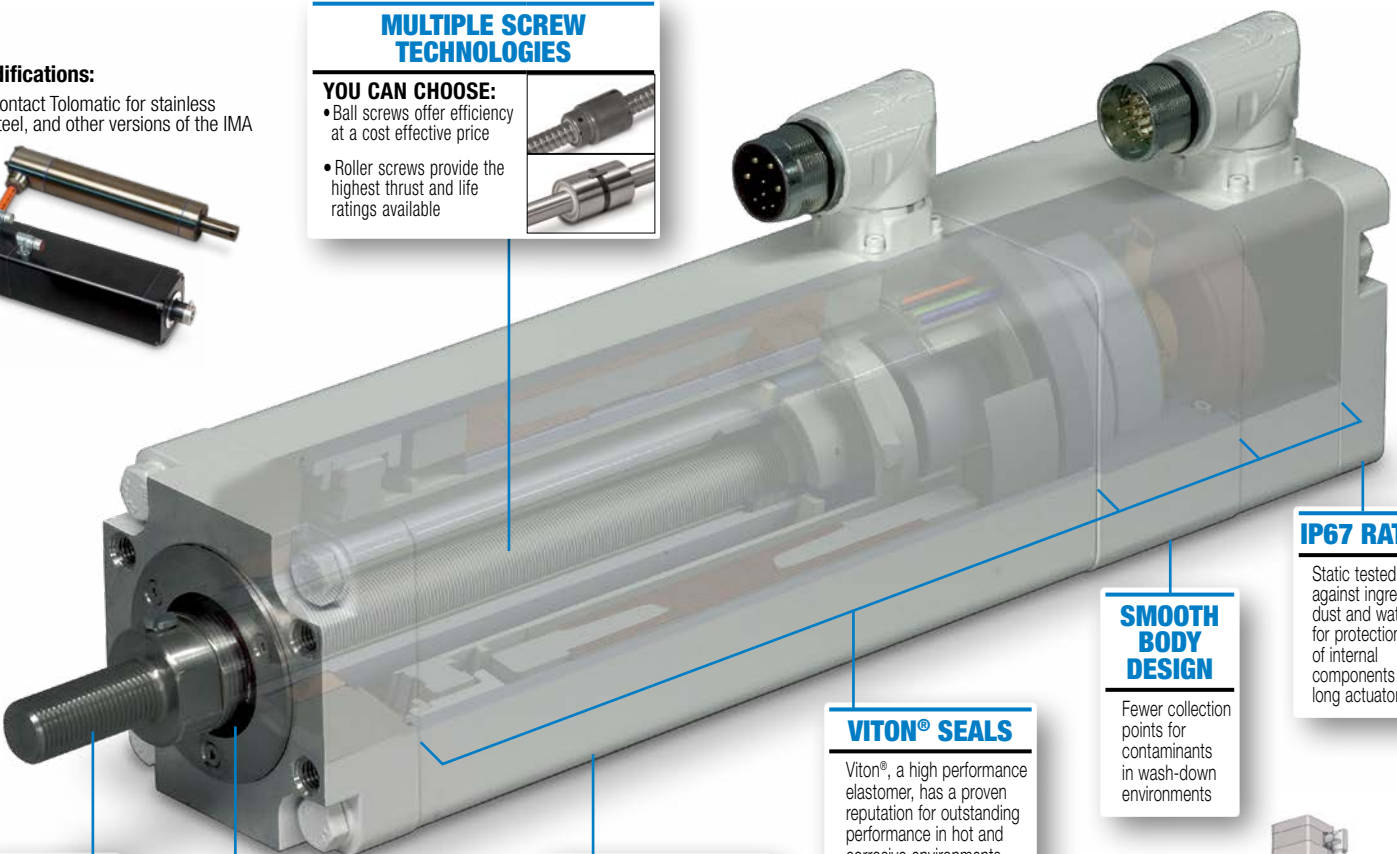
- Contact Tolomatic for stainless steel, and other versions of the IMA



MULTIPLE SCREW TECHNOLOGIES

YOU CAN CHOOSE:

- Ball screws offer efficiency at a cost effective price
- Roller screws provide the highest thrust and life ratings available



300 SERIES STAINLESS STEEL ROD

Corrosion resistant 316 stainless steel thrust rod

FIELD SERVICEABLE VITON® WIPER

State-of-the-art wiper prevents contaminants from entering the actuator for extended life

FOOD GRADE PAINT

- FDA & USDA approved
- White paint reveals any foreign matter to ease clean-up.

VITON® SEALS

Viton®, a high performance elastomer, has a proven reputation for outstanding performance in hot and corrosive environments.

SMOOTH BODY DESIGN

Fewer collection points for contaminants in wash-down environments

IP67 RATED

Static tested against ingress of dust and water for protection of internal components and long actuator life.

ROBOT DRIVE/CONTROLLER COMPATIBILITY

- See reverse side for details

Available Options:

Mounting Multiple options available	Brake 24V Spring held / electronically released
Rod End Multiple options available	ARO Anti-Rotate

Applications:

- Fillers
- Fluid dispensing
- Food slicing
- Formers
- Hydraulic replacement
- Material handling systems
- Medical
- Open - close hatches
- Packaging equipment
- Pharmaceutical
- Pneumatic replacement
- Valve / Process Control
- Ultrasonic Cutting

Fluid Dispensing

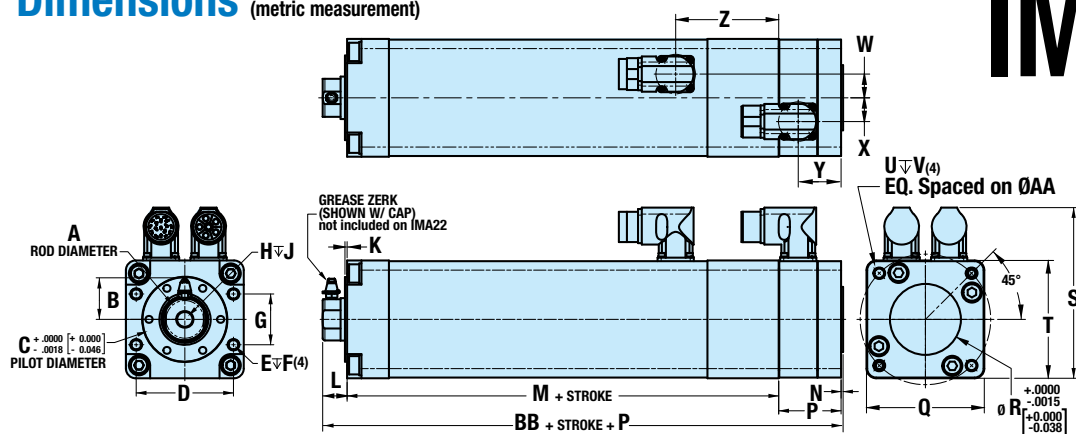
- Repeatable Force
- Smooth Velocity



IMA-WP WHITE PAINT INTEGRATED MOTOR ACTUATOR

Dimensions (metric measurement)

IMA-WP



ACTUATOR SIZING

COMPLETE INFORMATION, SIZING SOFTWARE AND SOLID MODELS AVAILABLE AT:

www.tolomatic.com

CAD LIBRARY

	IMA22	IMA33	IMA44	IMA55
A	25.38	30.13	38.08	57.13
B	—	28.3	32.3	41.9
C	48.000	60.000	72.000	100.000
D	54.00	69.00	85.00	110.00
E	M6 x 1.0	M8 x 1.25	M8 x 1.25	M12 x 1.75
F	13.2	14.5	17.1	22.5
G	20.00	36.00	55.00	65.00
H	M8 x 1.25	M12 x 1.25	M20 x 1.5	M27 x 2.0
J	16.5	22.2	25.9	38.1

	IMA22	IMA33	IMA44	IMA55
K	1.5	1.5	1.5	1.5
L	17.3	17.3	16.8	24.1
M	109.8	153.7	200.0	266.2
N	1.5	1.5	1.5	1.5
P min.	41.2	44.2	44.2	48.2
P max.	96.3	100.6	99.1	111.5
Q	63.5	83.6	110.5	143.6
R	40.000	50.000	75.000	100.000
S min.	102.0	122.2	149.0	181.9
S max.	104.4	124.6	151.4	184.3

	IMA22	IMA33	IMA44	IMA55
T	63.5	83.6	110.5	143.6
U	M6 x 1.0	M8 x 1.25	M8 x 1.25	M12 x 1.75
V	13.5	16.5	16.5	20.5
W	9.5	16.8	22.2	22.2
X	9.5	16.8	22.2	22.2
Y	27.3	30.4	30.4	34.4
Z	60.6	73.1	77.9	86.9
AA	70.00	92.00	127.00	155.00
BB	128.6	172.5	218.3	291.8

Performance & Mechanical Specs:

		IMA22 (1 STACK, MV21/41)	IMA22 (3 STACK, MV23/43)	IMA33 (1 STACK, MV21/41)	IMA33 (3 STACK, MV23/43)	IMA44	IMA55
CONTINUOUS FORCE	kN	0.89	1.45	2.0	4.7	9.3	12.2
PEAK FORCE	kN	1.45	1.45	6.0	11.1	17.8	30.6
MAX. VELOCITY	mm/sec	356	356	1219	1168	1334	797
TEMP RANGE	°C	Standard: 10 to 40; Extended: -20 to 60 (Contact Tolomatic if operation in the Extended Range is required)					
IP RATING		Standard IP65, Optional IP67 (Static)					

(Motor/screw selection determines performance. Not all models deliver maximum values listed, i.e.: Maximum thrust may not be available with maximum speed)

ROBOT & DRIVE/CONTROLLER COMPATIBILITY

Compatible feedback, connector(s) and wiring to match the following robot & drive/controller manufacturers:

- ABB Robot*
- Aerotech BM*
- Allen Bradley MP & VP*
- Baldor BSM
- Beckhoff AM8*
- Bosch Rexroth MSK
- Emerson FM & NT
- Fanuc Robot*
- Kawasaki Robot*
- Kollmorgen AKM*
- Kuka Robot*
- Lenze MCA
- Motoman / Yaskawa Robot*
- Nachi Robot*
- Omron*
- Parker MPP*
- Schneider Electric SH*
- SEW CMP*
- Siemens 1F*
- Stober*

*Consult Tolomatic for lead time

• B&R 8LS*

TolomaticTM
EXCELLENCE IN MOTION

COMPANY WITH
QUALITY SYSTEM
CERTIFIED BY DNV GL
= ISO 9001 =
Certified site: Hamel, MN

All brand and product names are trademarks or registered trademarks of their respective owners. Information in this document is believed accurate at time of printing. However, Tolomatic assumes no responsibility for its use or for any errors

that may appear in this document. Tolomatic reserves the right to change the design or operation of the equipment described herein and any associated motion products without notice. Information in this document is subject to change without notice.

Visit www.tolomatic.com for the most up-to-date technical information