

RODLESS BELT-DRIVE ACTUATOR W/ SOLID BEARINGS

MXB-S

The MXB-S rodless style actuator is a pre-assembled compact linear belt solution for use in applications requiring light to moderate load carrying and guidance. This economical actuator features speeds up to 2,540 mm/sec (100 in/sec) and thrusts up to 1,859 N (418 lbf). Built-to-order in stroke lengths up to 10.5 m (414 in).

OVERSIZED PULLEY BEARINGS

Drive shaft assembly incorporates oversized shielded/sealed ball bearings for long life and high speeds

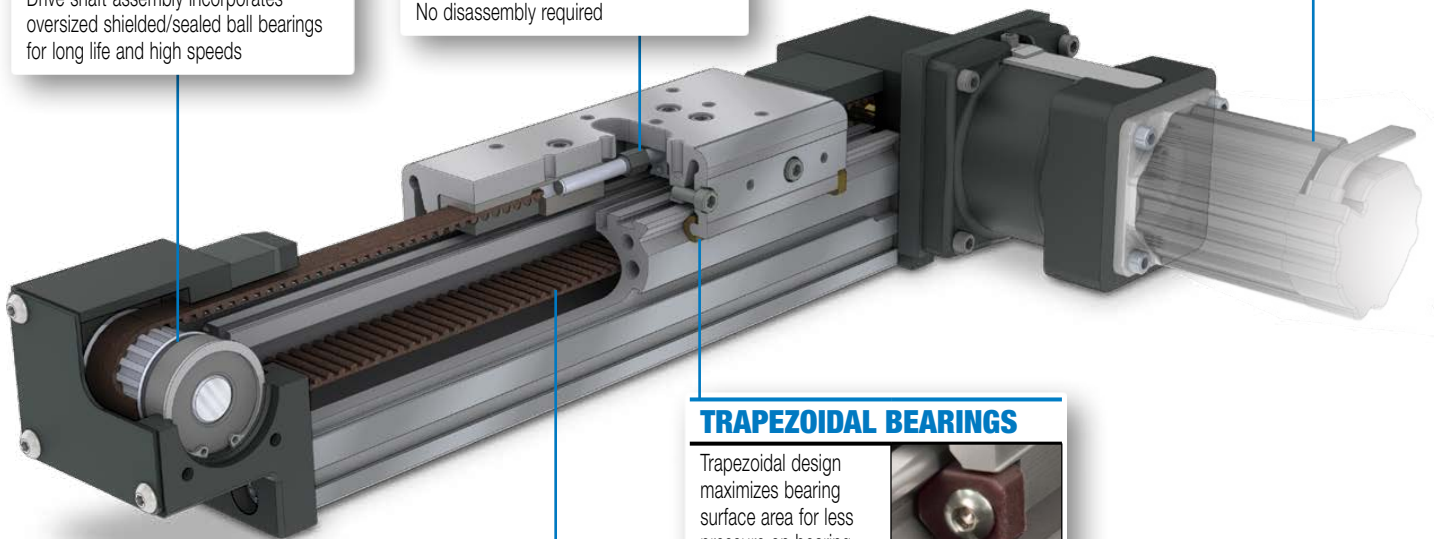
BELT TENSIONING SYSTEM

The open slot on the guide plate permits easy access to the belt tensioning screw. No disassembly required

OVERSIZED PULLEY BEARINGS

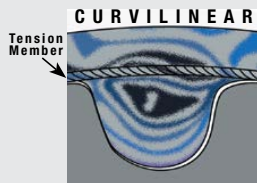
YOU CAN CHOOSE:

Choose ACSI (Integrated servo motor/drive) for a complete motion solution tested and assembled at the factory



STEEL REINFORCED/HTD BELT PROFILE

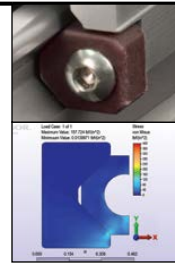
Belt of polyurethane material reinforced with steel tension members to produce high carrier thrusts without belt stretch.



Tolomatic's belt tooth profile distributes thrust force evenly

TRAPEZOIDAL BEARINGS

Trapezoidal design maximizes bearing surface area for less pressure on bearing surfaces; less pressure results in less wear



Flying Knife



Applications:

- Aligning
- Animation
- Assembly
- Camera positioning
- Conveyors
- Cutting
- Diverters
- Inspection
- Laser
- marking
- Material cutting
- Packaging equipment
- Parts transfer
- Pick & place
- Positioning
- Product handling
- Slitting
- Sorting
- Spraying
- Stacking
- Table positioning
- Test stations

Available Options:

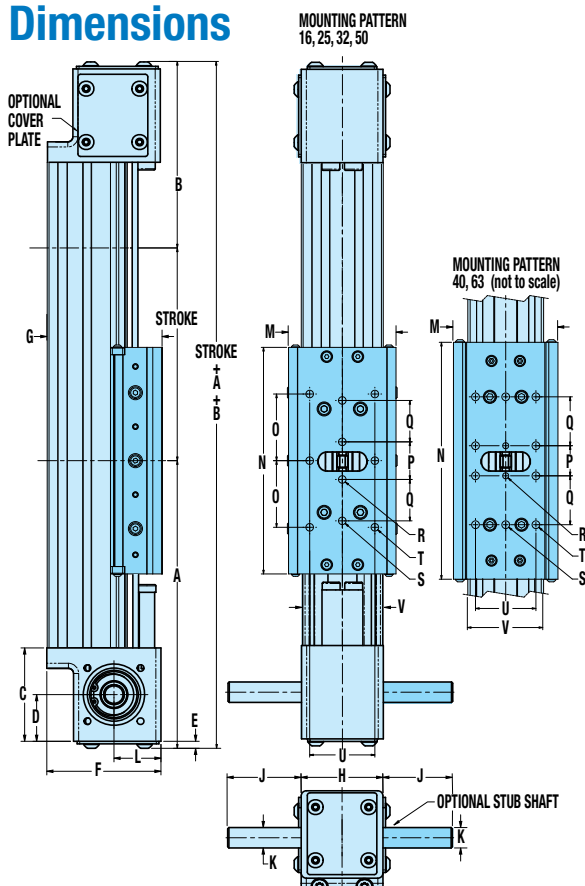
Mounting
Mounting Plates,
Tube Clamps,
Floating Mount

Sensors
With integrated
mounting

RODLESS BELT-DRIVE ACTUATOR W/ SOLID BEARINGS

MXB-S

Dimensions



	MXB16	MXB25	MXB32	MXB40	MXB50	MXB63
A	135.3	173.9	179.3	216.6	217.8	275.1
B	119.0	139.3	163.2	192.7	212.0	262.1
C	50.8	58.0	55.9	78.7	82.6	96.1
D	25.4	29.0	25.4	39.4	40.0	45.3
E	3.8	4.4	4.4	4.4	4.4	4.4
F	52.8	66.0	77.5	93.8	110.6	139.3
G	45.8	58.4	77.8	89.2	112.8	139.7
H	44.5	50.8	69.9	82.6	98.4	111.1
(LMI) J	15.0	57.7	57.7	47.5	47.5	47.5

Measurements in mm

Specifications

MXB SIZE	MAX. THRUST	BELT DEAD LENGTH	MAXIMUM STROKE
	N	mm	mm
16	169	363.0	5,842
25	672	475.5	10,516
32	930	556.0	10,490
40	1,112	633.7	10,465
50	1,446	692.2	10,414
63	1,859	917.2	5,512

Max. Velocity	2,540 mm/sec
Repeatability	± 0.051 mm

SIZE	MAX. BENDING MOMENTS			MAX. LOAD
	Mx	My	Mz	Fz
	N-m	N-m	N-m	N
16	2.5	2.1	2.8	156
25	6.8	12.4	3.8	311
32	11.3	39.5	15.8	667
40	31.1	67.8	24.9	1,001
50	35.6	131.0	38.5	1,401
63	66.1	264.0	58.8	2,313

Temp. Range	-12 to 54 °C
-------------	--------------

	MXB16	MXB25	MXB32	MXB40	MXB50	MXB63
(RP) J	46.6	57.7	57.7	47.5	47.5	47.5
K	Ø9.53	Ø12.70	Ø12.70	Ø12.70	Ø12.70	Ø12.70
L	26.4	29.2	27.9	39.7	41.5	52.2
M	40.1	55.4	72.6	88.2	104.1	142
N	110.0	134.9	153	200	200.9	307.6
O	30.0	39.9	45.0	-	47.8	-
P	-	25.4	25.4	25.4	63.5	76.2
Q	-	27.2	28	41.3	31.8	38.1
R	-	M6x1.0 (2)	M8x1.25 (2)	M8x1.25 (2)	M10x1.5 (2)	M10x1.5 (2)
S	-	M6x1.0 (2)	M8x1.25 (2)	M8x1.25 (2)	M10x1.5 (2)	M10x1.5 (2)
T	M4x0.7 (6)	M6x1.0 (6)	M8x1.25 (6)	M8x1.25 (8)	M10x1.5 (6)	M10x1.5 (8)
U	30.0	30.0	44.0	51.0	65.8	82.6
V	30.00	42.00	55.37	64.00	78.74	100.00



MADE IN U.S.A.

TolomaticTM
EXCELLENCE IN MOTION

COMPANY WITH QUALITY SYSTEM CERTIFIED BY DNV = ISO 9001 = Certified site: Hamel, MN

All brand and product names are trademarks or registered trademarks of their respective owners. Information in this document is believed accurate at time of printing. However, Tolomatic assumes no responsibility for its use or for any errors

that may appear in this document. Tolomatic reserves the right to change the design or operation of the equipment described herein and any associated motion products without notice. Information in this document is subject to change without notice.