

# Series XV03



## Series XV03

The AVENTICS XV03 series provides a reliable basis for both compact handling systems and complex automation solutions. The XV-Compact variant features a wide range of valve functions and accessories as well as the relevant electrical connectivity for general requirements in factory automation and other industries. With the simple support of D-Sub and terminal strips through to IO-Link and several XVES series fieldbus protocols, all requirements for decentralized control are also met. The unique online configurator makes it easy to define the optimum configuration for the base plate and the entire valve system, including accessories.

- Optimized flow to size
- Easy and flexible custom specific configurations via online configurator
- Broad connectivity through terminal strip, multipol, or fieldbus connection
- Multiple pneumatic connection directions as side, bottom and top
- Low energy consumption
- Wide range of accessories as shut-off, supply modules, speed modules and regulators
- Webserver and diagnostic
- Global availability and universal threads to support regional demands
- Robust aluminium base plate and ready for cabinet assembly



## Product overview

### 2x3/2-directional valve

	Page
2x3/2-directional valve, Series XV03, NO/NO, Manual override: without detent.....	6
Double Solenoid - 2x 3/2 NO/NO, with spring return	
2x3/2-directional valve, Series XV03, NO/NO, Manual override: with detent.....	7
Double Solenoid - 2x 3/2 NO/NO, with spring return	
2x3/2-directional valve, Series XV03, NC/NC, Manual override: without detent.....	8
Double Solenoid - 2x 3/2 NC/NC, with spring return	
2x3/2-directional valve, Series XV03, NC/NC, Manual override: with detent.....	9
Double Solenoid - 2x 3/2 NC/NC, with spring return	
2x3/2-directional valve, Series XV03, NC/NO, Manual override: without detent.....	10
Double Solenoid - 2x 3/2 NC/NO, with spring return	
2x3/2-directional valve, Series XV03, NC/NO, Manual override: with detent.....	11
Double Solenoid - 2x 3/2 NC/NO, with spring return	
2x3/2-directional valve, Series XV03, NO/NO, Manual override: without detent, Top connection.....	12
Double Solenoid - without detent - 2x 3/2 NO/NO, with spring return	
2x3/2-directional valve, Series XV03, NO/NO, MO: detent, Top connection.....	13
Double Solenoid - without detent - 2x 3/2 NO/NO, with spring return	
2x3/2-directional valve, Series XV03, NC/NC, MO: without detent, Top connection.....	14
Double Solenoid - 2x 3/2 NC/NC, with spring return	
2x3/2-directional valve, Series XV03, NC/NC, MO: detent, Top connection.....	15
Double Solenoid - with detent - 2x 3/2 NC/NC, with spring return	
2x3/2-directional valve, Series XV03, NC/NO, MO: without detent, Top connection.....	16
Double Solenoid - without detent - 2x 3/2 NC/NO, with spring return	
2x3/2-directional valve, Series XV03, NC/NO, Manual override: detent, Top connection.....	17
Double Solenoid - with detent - 2x 3/2 NC/NO, with spring return	

### 5/2-directional valve

5/2-directional valve, Series XV03, with spring return, manual override: without detent.....	18
Single Solenoid - 5/2, with spring return	
5/2-directional valve, Series XV03, with spring return, Manual override: with detent.....	19
Double Solenoid - 5/2, with spring return	
5/2-directional valve, series XV03, with air spring reset, manual override: without detent.....	20
Double Solenoid - 5/2, with air spring return	
5/2-directional valve, Series XV03, with air spring return, Manual override: with detent.....	21
Double Solenoid - 5/2, with air spring return	
5/2-directional valve, Series XV03, double solenoid, manual override: without detent.....	22
Double Solenoid - 5/2, double solenoid	
5/2-directional valve, Series XV03, double solenoid, Manual override: with detent.....	23
Double Solenoid - 5/2, double solenoid	
5/2-directional valve, Series XV03, with spring return, MO: without detent, Top connection.....	24
Single Solenoid - without detent - 5/2, with spring return	
5/2-directional valve, Series XV03, with spring return, MO: with detent, Top connection.....	25
Double Solenoid - with detent - 5/2, with spring return	
5/2-directional valve, Series XV03, with air spring return, MO: without detent, Top connection.....	26
Single Solenoid - without detent - 5/2, with air spring return	
5/2-directional valve, Series XV03, with air spring return, MO: with detent, Top connection.....	27
Single Solenoid - with detent - 5/2, with air spring return	
5/2-directional valve, Series XV03, double solenoid, MO: without detent, Top connection.....	28
Double Solenoid - without detent - 5/2, double solenoid	

## Product overview

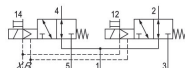
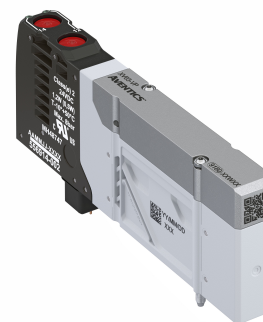
	Page
5/2-directional valve, Series XV03, double solenoid, MO: with detent, Top connection.....	29
Double Solenoid - with detent - 5/2, double solenoid	
<b>5/3-directional valve</b>	
5/3-directional valve, Series XV03, pressurized enter, manual override: without detent.....	30
Double Solenoid - 5/3, pressurized center	
5/3-directional valve, Series XV03, pressurized center, Manual override: with detent.....	31
Double Solenoid - 5/3, pressurized center	
5/3-directional valve, Series XV03, exhausted center, manual override: without detent.....	32
Double Solenoid - 5/3, exhausted center	
5/3-directional valve, Series XV03, Exhausted Center, Manual override: with detent.....	33
Double Solenoid - 5/3, exhausted center	
5/3-directional valve, Series XV03, closed center, manual override: without detent.....	34
Double Solenoid - 5/3, closed center	
5/3-directional valve, Series XV03, closed center, Manual override: with detent.....	35
Double Solenoid - 5/3, closed center	
5/3-directional valve, Series XV03, closed center, MO: without detent, Top connection.....	36
Double Solenoid - without detent - 5/3, closed center	
5/3-directional valve, Series XV03, closed center, MO: with detent, Top connection.....	37
Double Solenoid - with detent - 5/3, closed center	
5/3-directional valve, Series XV03, exhausted center, MO: without detent, Top connection.....	38
Double Solenoid - without detent - 5/3, exhausted center	
5/3-directional valve, Series XV03, Exhausted Center, MO: with detent, Top connection.....	39
Double Solenoid - with detent - 5/3, exhausted center	
5/3-directional valve, Series XV03, pressurized center, MO: without detent, Top connection.....	40
Double Solenoid - without detent - 5/3, pressurized center	
5/3-directional valve, Series XV03, pressurized center, MO: with detent, Top connection.....	41
Double Solenoid - with detent - 5/3, pressurized center	
<b>Accessories overview Electrical accessories</b>	
Multipole connection, 25-pin, on top.....	42
Multipole connection, 44-pin, on top.....	43
Multipole connection, 25-pin, on the side.....	44
Multipole connection, 44-pin, on the side.....	45
Multipole connection, terminal 27, on top.....	46
<b>Accessories overview Fieldbus connections</b>	
Bus coupler, series XVES Profinet.....	47
Bus coupler, series XVES EtherCAT.....	49
Bus coupler, series XVES EtherNet/IP.....	51
Bus coupler, series XVES Modbus TCP.....	53
Bus coupler, series XVES Profibus DP.....	55
Plug	
Bus coupler, series XVES IO-Link.....	57
IO-Link - Plug	
<b>Accessories overview Base plates</b>	
Base plate, series XV03, working connections on the side.....	59
Base plate, series XV03, working connections on bottom.....	61
<b>Accessories overview Mechanical accessories</b>	
Blank plate, series XV03.....	63

## Product overview

	Page
Supply plate, series XV03.....	64
Air supply sandwich plate, series XV03.....	65
Exhaust sandwich plate, series XV03.....	66
Shut-off module, Series XV03.....	67
Shut-off module, series XV03, extended.....	68
Throttle sandwich plate, series XV03.....	69
Orifice plugs.....	71
Straight fitting, M7x1.....	73
Straight fitting, M7x1, Screw.....	75
Straight fitting	
Straight fitting, 1/8" BSP.....	76
Straight fitting, 1/4" BSP.....	78
Straight fitting, 1/8" NPT.....	80
Straight fitting, 1/4" NPT.....	82
Separator for channel 1, 3, 5.....	84
Separator for channel X.....	85
Mounting kit for DIN rail XV03.....	86

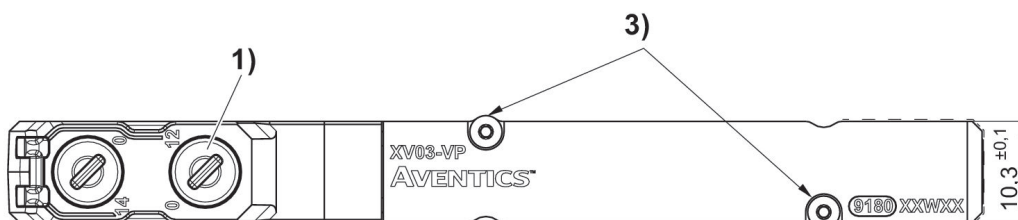
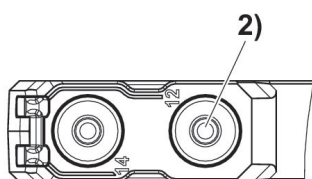
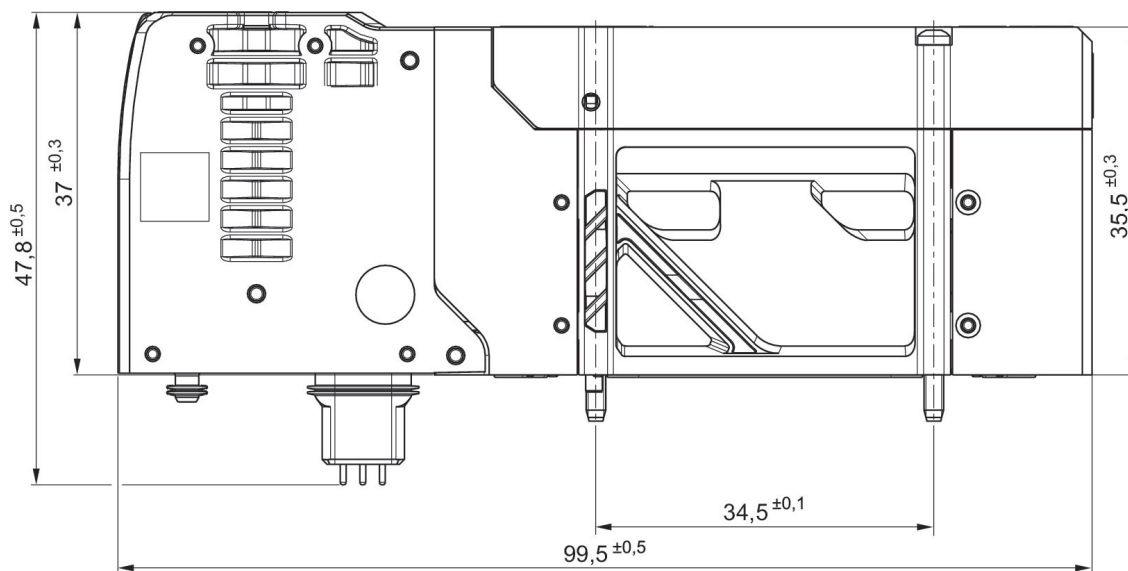
**2x3/2-directional valve, Series XV03, NO/NO, Manual override: without detent**

Flow: 330 l/min  
 Activation: Electrically operated  
 Min. control pressure: 3 bar  
 Max. control pressure: 8 bar  
 Duty cycle: 100 %  
 Type: Spool valve, positive overlapping  
 Min. ambient temperature: -10 °C  
 Max. ambient temperature: 50 °C  
 Max. working pressure: 8 bar



Switching principle	Operational voltage	Pilot	Power consumption DC [W]	Max. working pressure [bar]	Typ. switch-on time [ms]	Typ. switch-off time [ms]	Part No.
2x 3/2 NO/NO, with spring return	24 V DC	External	0.55	8	15	30	R572A2BA0MA00F1

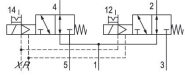
Dimensions



- 1) with detent
- 2) without detent
- 3) Tightening torque: 0,25 Nm ±0,05

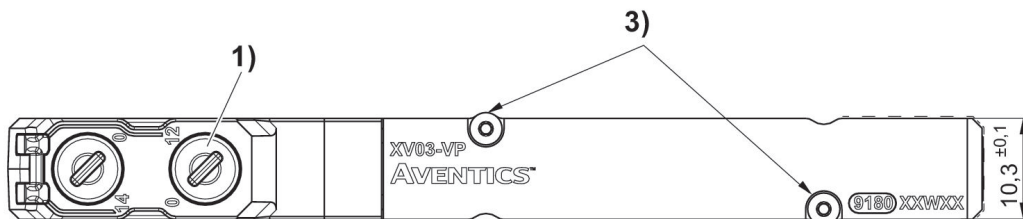
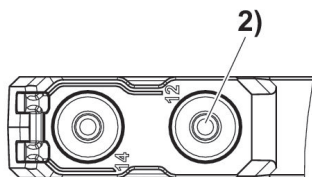
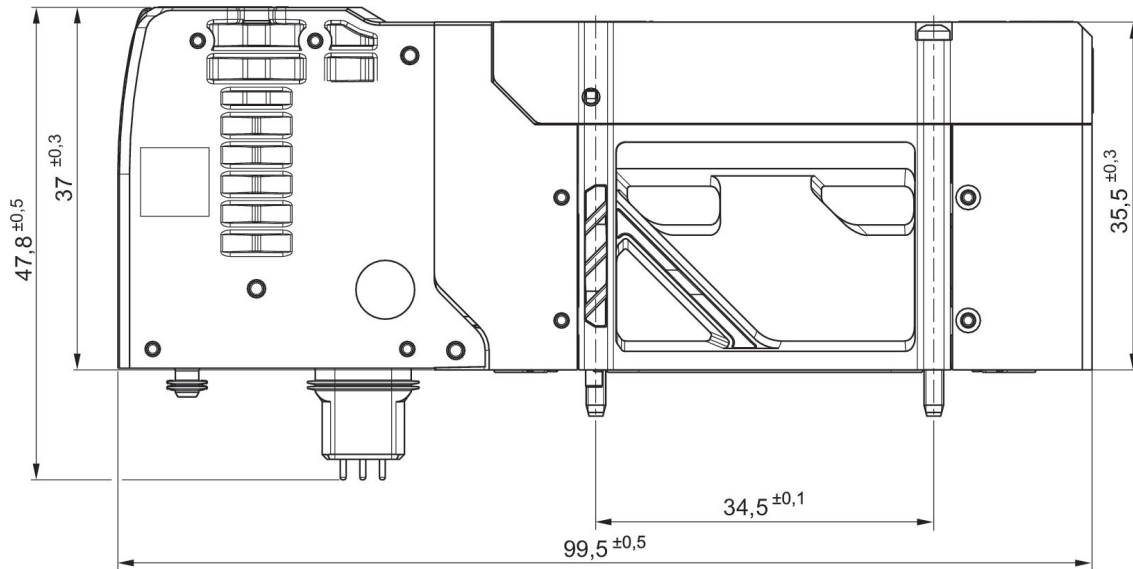
**2x3/2-directional valve, Series XV03, NO/NO, Manual override: with detent**

Flow: 330 l/min  
 Activation: Electrically operated  
 Min. control pressure: 3 bar  
 Max. control pressure: 8 bar  
 Duty cycle: 100 %  
 Type: Spool valve, positive overlapping  
 Min. ambient temperature: -10 °C  
 Max. ambient temperature: 50 °C  
 Max. working pressure: 8 bar



Switching principle	Operational voltage	Pilot	Power consumption DC [W]	Max. working pressure [bar]	Typ. switch-on time [ms]	Typ. switch-off time [ms]	Part No.
2x 3/2 NO/NO, with spring return	24 V DC	External	0.55	8	15	30	R572A2CA0MA00F1

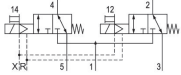
Dimensions



- 1) with detent
- 2) without detent
- 3) Tightening torque: 0,25 Nm ±0,05

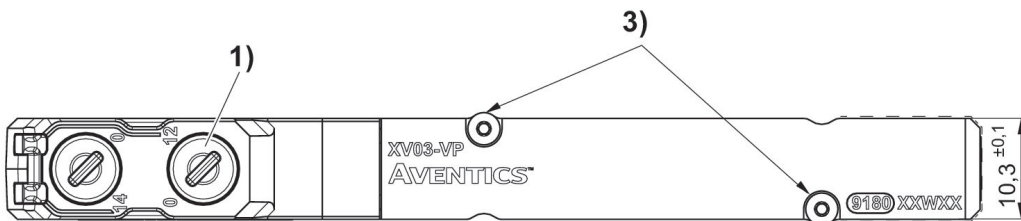
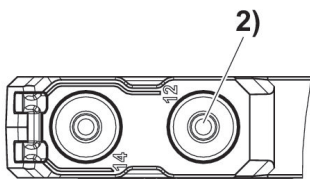
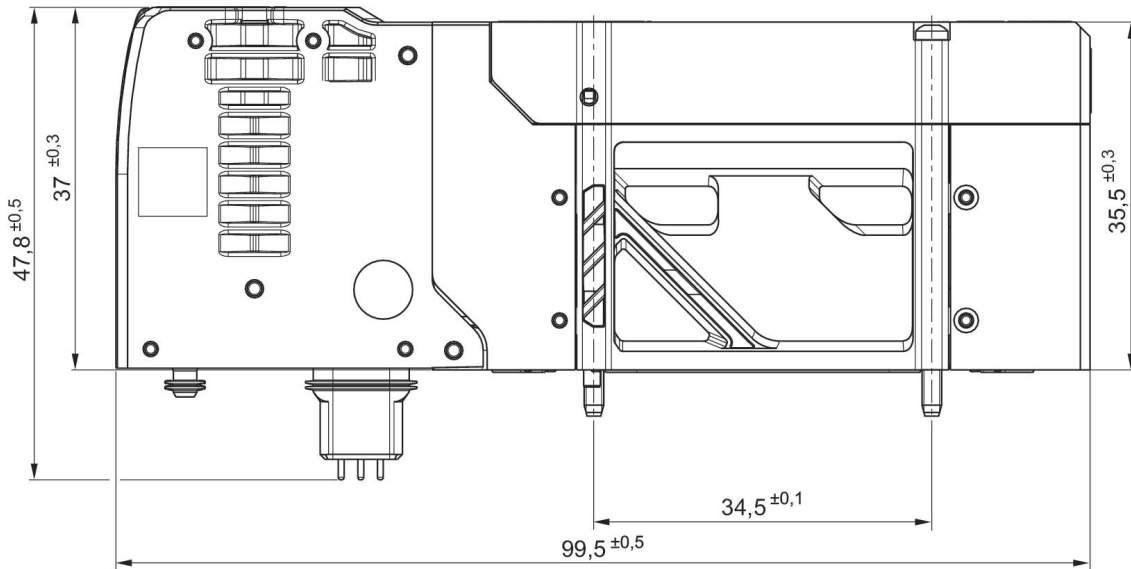
**2x3/2-directional valve, Series XV03, NC/NC, Manual override: without detent**

Flow: 345 l/min  
 Activation: Electrically operated  
 Min. control pressure: 3 bar  
 Max. control pressure: 8 bar  
 Duty cycle: 100 %  
 Type: Spool valve, positive overlapping  
 Min. ambient temperature: -10 °C  
 Max. ambient temperature: 50 °C  
 Max. working pressure: 8 bar



Switching principle	Operational voltage	Pilot	Power consumption DC [W]	Max. working pressure [bar]	Typ. switch-on time [ms]	Typ. switch-off time [ms]	Part No.
2x 3/2 NC/NC, with spring return	24 V DC	External	0.55	8	15	30	R572A2BD0MA00F1

Dimensions

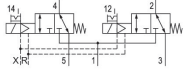


- 1) with detent
- 2) without detent
- 3) Tightening torque: 0,25 Nm ±0,05



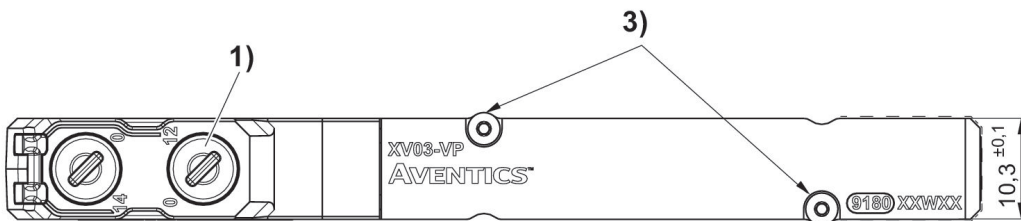
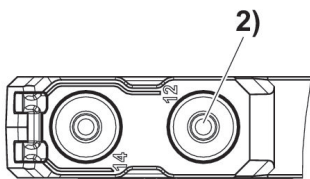
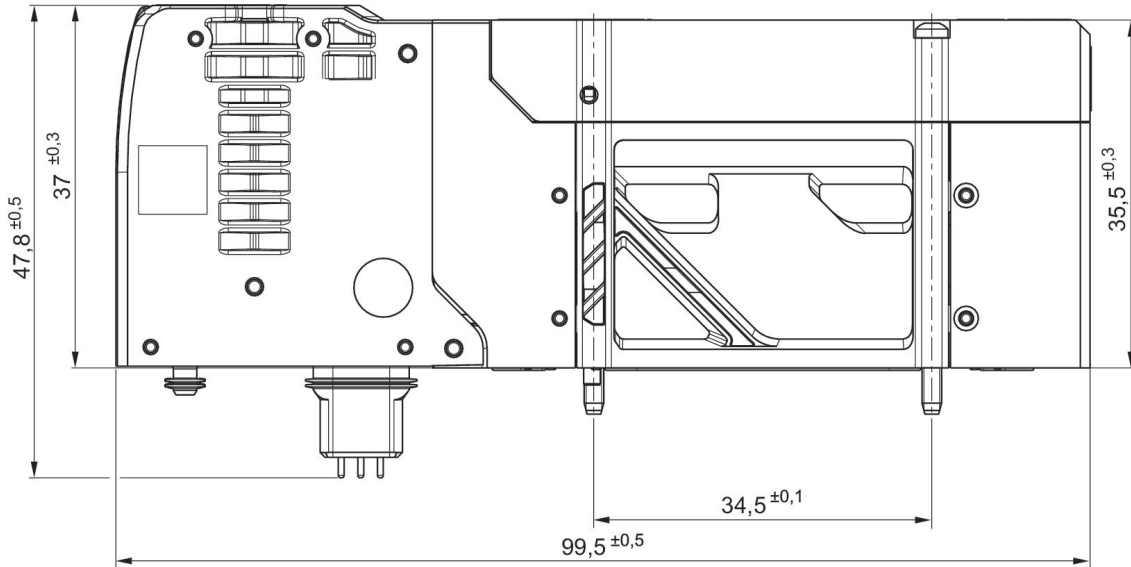
**2x3/2-directional valve, Series XV03, NC/NC, Manual override: with detent**

Flow: 345 l/min  
 Activation: Electrically operated  
 Min. control pressure: 3 bar  
 Max. control pressure: 8 bar  
 Duty cycle: 100 %  
 Type: Spool valve, positive overlapping  
 Min. ambient temperature: -10 °C  
 Max. ambient temperature: 50 °C  
 Max. working pressure: 8 bar



Switching principle	Operational voltage	Pilot	Power consumption DC [W]	Max. working pressure [bar]	Typ. switch-on time [ms]	Typ. switch-off time [ms]	Part No.
2x 3/2 NC/NC, with spring return	24 V DC	External	0.55	8	15	30	R572A2CD0MA00F1

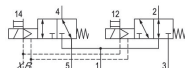
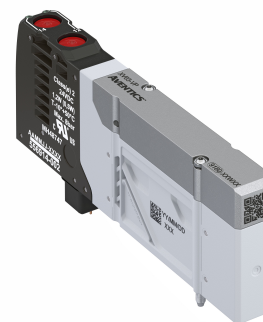
Dimensions



- 1) with detent
- 2) without detent
- 3) Tightening torque: 0,25 Nm ±0,05

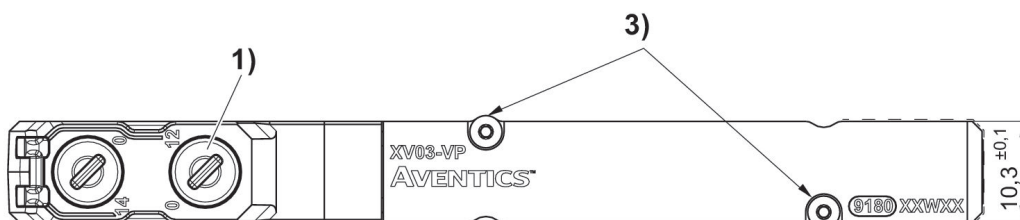
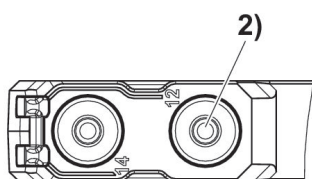
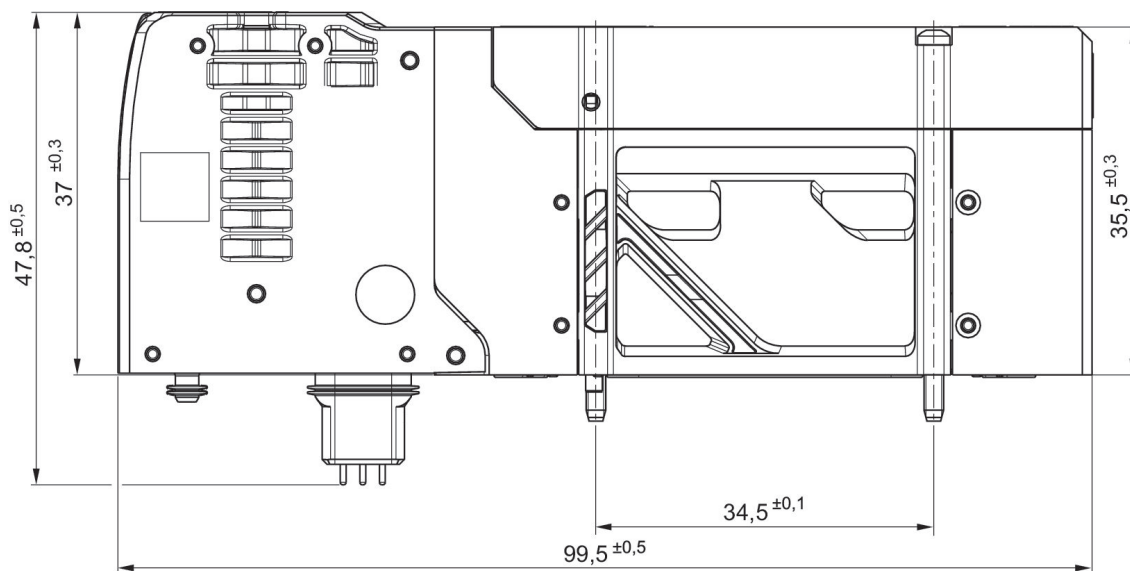
**2x3/2-directional valve, Series XV03, NC/NO, Manual override: without detent**

Flow: 330 l/min  
 Activation: Electrically operated  
 Min. control pressure: 3 bar  
 Max. control pressure: 8 bar  
 Duty cycle: 100 %  
 Type: Spool valve, positive overlapping  
 Min. ambient temperature: -10 °C  
 Max. ambient temperature: 50 °C  
 Max. working pressure: 8 bar



Switching principle	Operational voltage	Pilot	Power consumption DC [W]	Max. working pressure [bar]	Typ. switch-on time [ms]	Typ. switch-off time [ms]	Part No.
2x 3/2 NC/NO, with spring return	24 V DC	External	0.55	8	15	30	R572A2BF0MA00F1

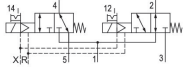
Dimensions



- 1) with detent
- 2) without detent
- 3) Tightening torque: 0,25 Nm ±0,05

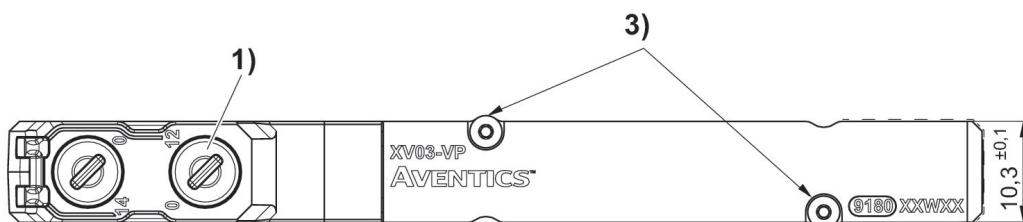
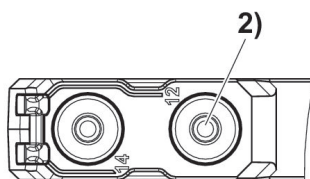
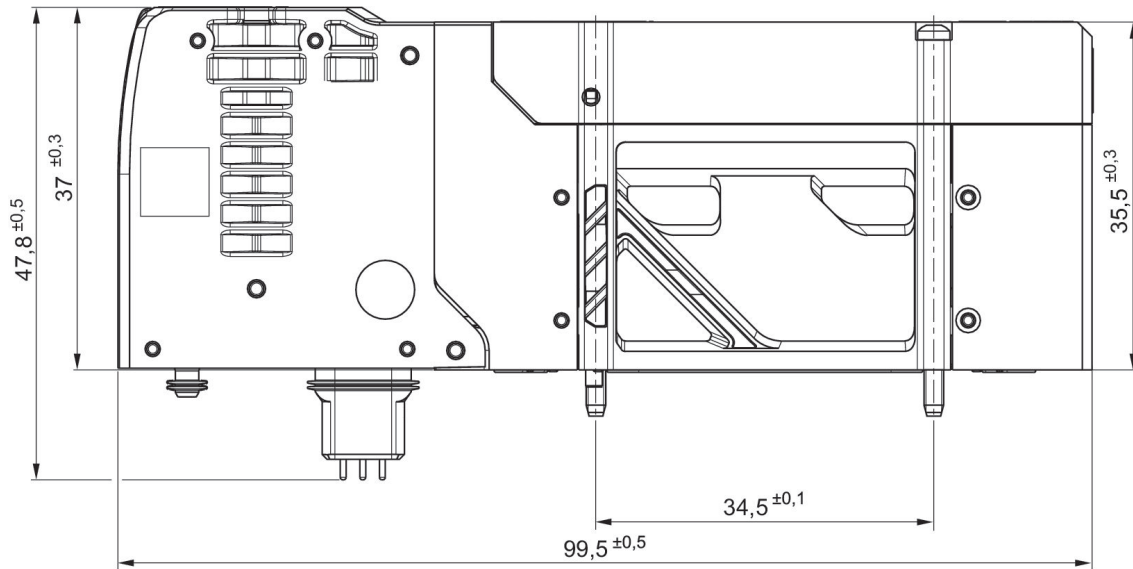
**2x3/2-directional valve, Series XV03, NC/NO, Manual override: with detent**

Flow: 330 l/min  
 Activation: Electrically operated  
 Min. control pressure: 3 bar  
 Max. control pressure: 8 bar  
 Duty cycle: 100 %  
 Type: Spool valve, positive overlapping  
 Min. ambient temperature: -10 °C  
 Max. ambient temperature: 50 °C  
 Max. working pressure: 8 bar



Switching principle	Operational voltage	Pilot	Power consumption DC [W]	Max. working pressure [bar]	Typ. switch-on time [ms]	Typ. switch-off time [ms]	Part No.
2x 3/2 NC/NO, with spring return	24 V DC	External	0.55	8	15	30	R572A2CF0MA00F1

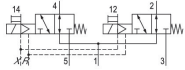
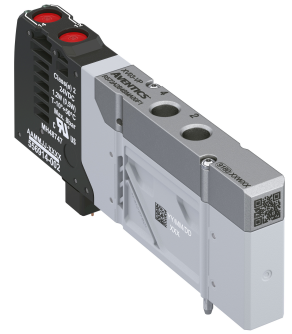
Dimensions



- 1) with detent
- 2) without detent
- 3) Tightening torque: 0,25 Nm ±0,05

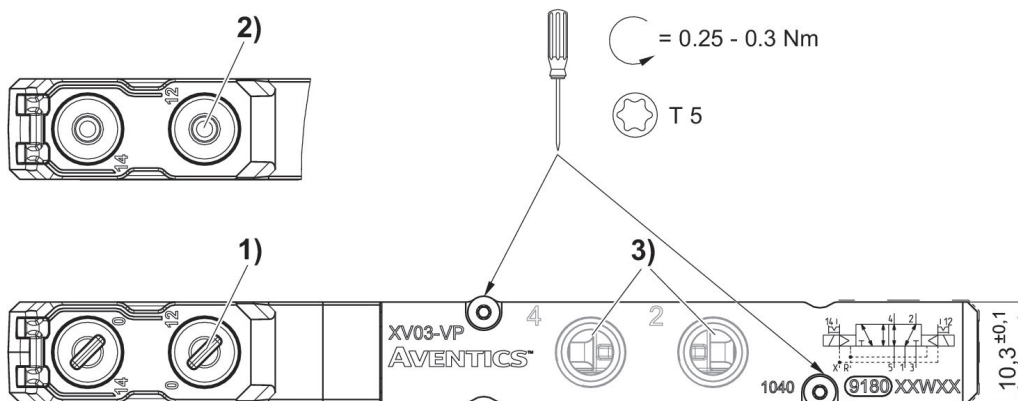
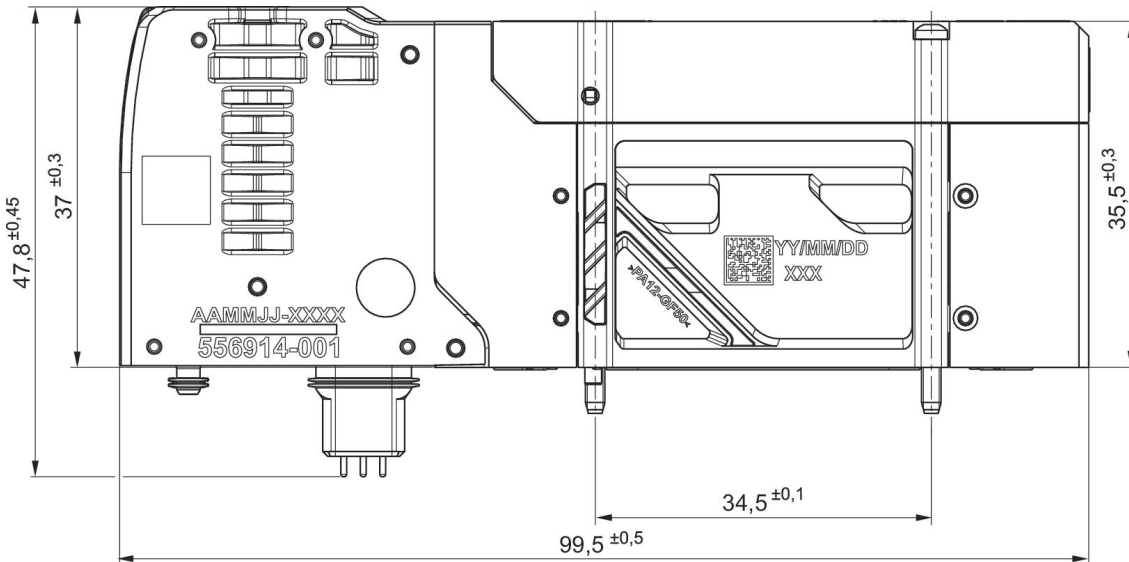
**2x3/2-directional valve, Series XV03, NO/NO, Manual override: without detent, Top connection**

Flow: 330 l/min  
 Activation: Electrically operated  
 Min. control pressure: 3 bar  
 Max. control pressure: 8 bar  
 Duty cycle: 100 %  
 Type: Spool valve, positive overlapping  
 Min. ambient temperature: -10 °C  
 Max. ambient temperature: 50 °C  
 Max. working pressure: 8 bar



Switching principle	Operational voltage	Pilot	Power consumption DC [W]	Max. working pressure [bar]	Typ. switch-on time [ms]	Typ. switch-off time [ms]	Part No.
2x 3/2 NO/NO, with spring return	24 V DC	External	0.55	8	15	30	R572A2BABMA00F1

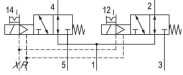
Dimensions



- 1) with detent
- 2) without detent
- 3) Ports: M7

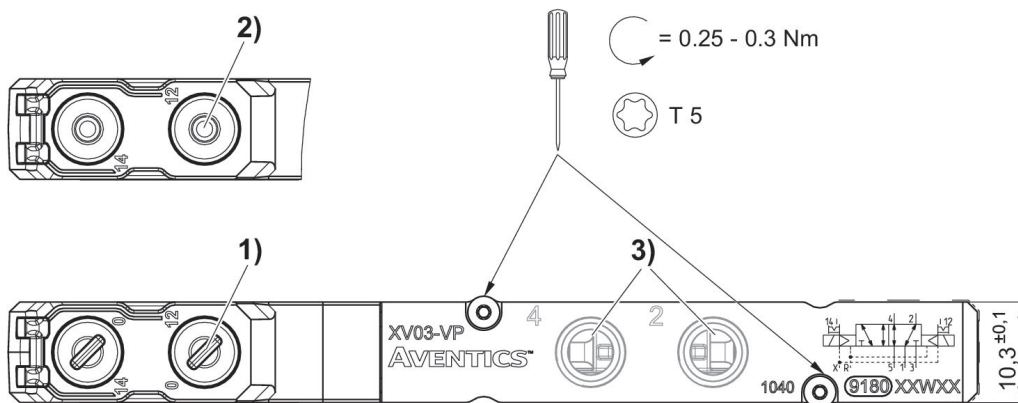
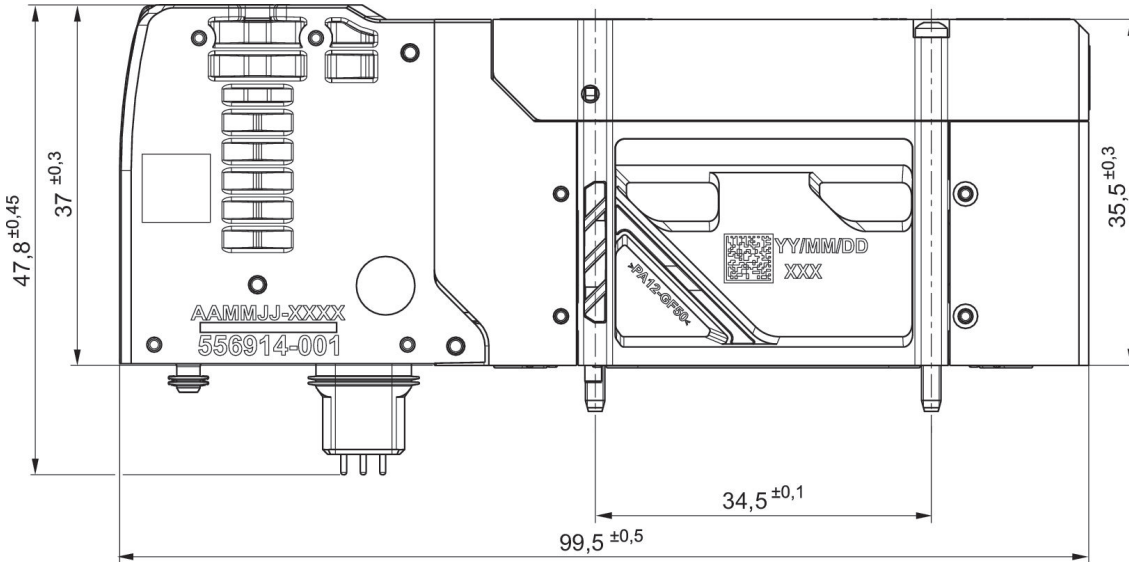
**2x3/2-directional valve, Series XV03, NO/NO, MO: detent, Top connection**

Flow: 330 l/min  
 Activation: Electrically operated  
 Min. control pressure: 3 bar  
 Max. control pressure: 8 bar  
 Duty cycle: 100 %  
 Type: Spool valve, positive overlapping  
 Min. ambient temperature: -10 °C  
 Max. ambient temperature: 50 °C  
 Max. working pressure: 8 bar



Switching principle	Operational voltage	Pilot	Power consumption DC [W]	Max. working pressure [bar]	Typ. switch-on time [ms]	Typ. switch-off time [ms]	Part No.
2x 3/2 NO/NO, with spring return	24 V DC	External	0.55	8	15	30	R572A2CABMA00F1

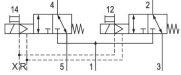
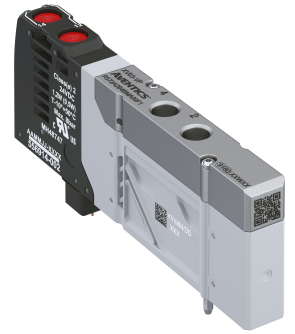
Dimensions



- 1) with detent
- 2) without detent
- 3) Ports: M7

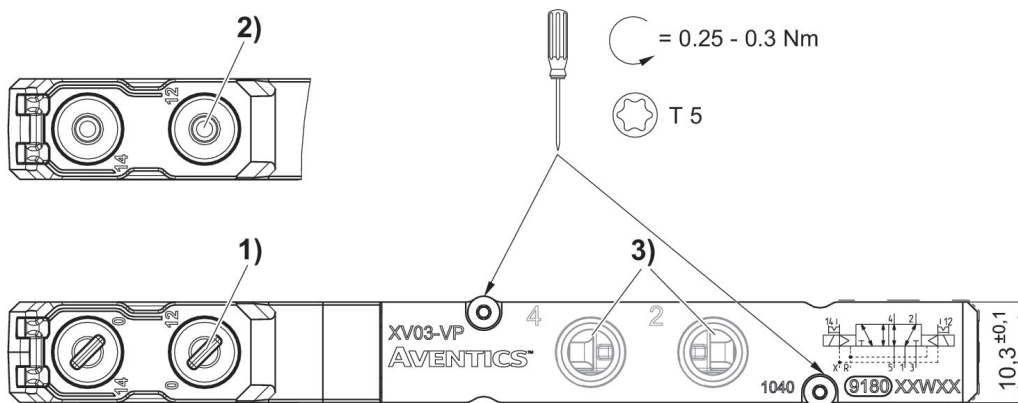
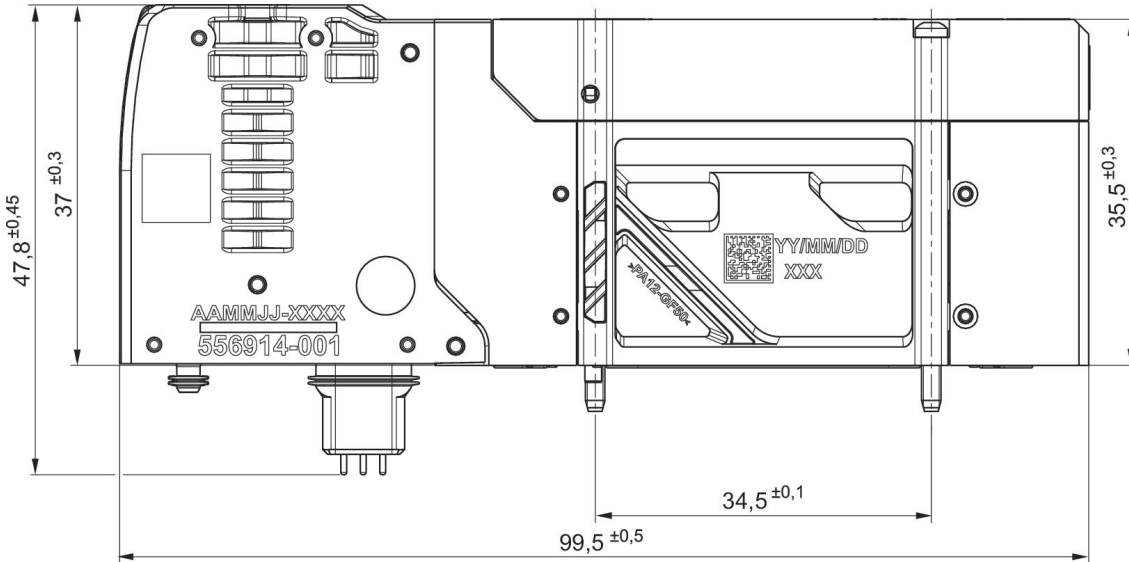
**2x3/2-directional valve, Series XV03, NC/NC, MO: without detent, Top connection**

Flow: 345 l/min  
 Activation: Electrically operated  
 Min. control pressure: 3 bar  
 Max. control pressure: 8 bar  
 Duty cycle: 100 %  
 Type: Spool valve, positive overlapping  
 Min. ambient temperature: -10 °C  
 Max. ambient temperature: 50 °C  
 Max. working pressure: 8 bar



Switching principle	Operational voltage	Pilot	Power consumption DC [W]	Max. working pressure [bar]	Typ. switch-on time [ms]	Typ. switch-off time [ms]	Part No.
2x 3/2 NC/NC, with spring return	24 V DC	External	0.55	8	15	30	R572A2BDBMA00F1

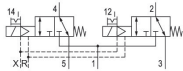
Dimensions



- 1) with detent
- 2) without detent
- 3) Ports: M7

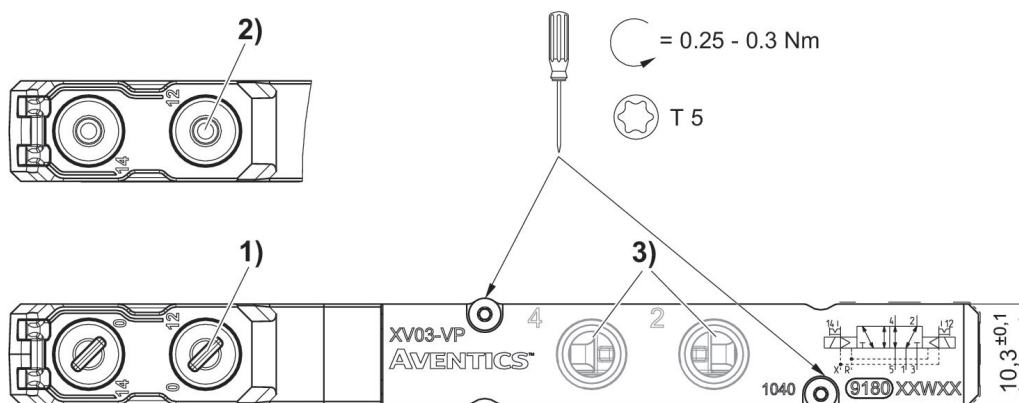
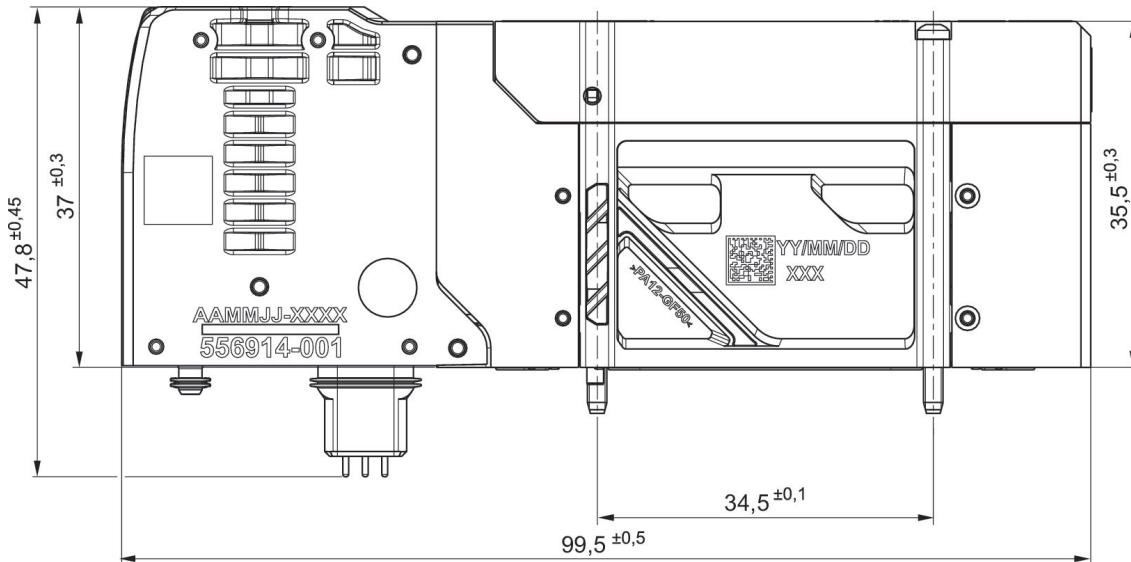
2x3/2-directional valve, Series XV03, NC/NC, MO: detent, Top connection

Flow: 345 l/min  
 Activation: Electrically operated  
 Min. control pressure: 3 bar  
 Max. control pressure: 8 bar  
 Duty cycle: 100 %  
 Type: Spool valve, positive overlapping  
 Min. ambient temperature: -10 °C  
 Max. ambient temperature: 50 °C  
 Max. working pressure: 8 bar



Switching principle	Operational voltage	Pilot	Power consumption DC [W]	Max. working pressure [bar]	Typ. switch-on time [ms]	Typ. switch-off time [ms]	Part No.
2x 3/2 NC/NC, with spring return	24 V DC	External	0.55	8	15	30	R572A2CDBMA00F1

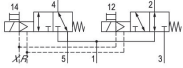
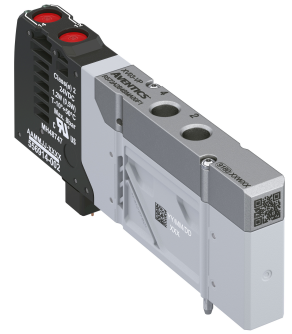
Dimensions



- 1) with detent
- 2) without detent
- 3) Ports: M7

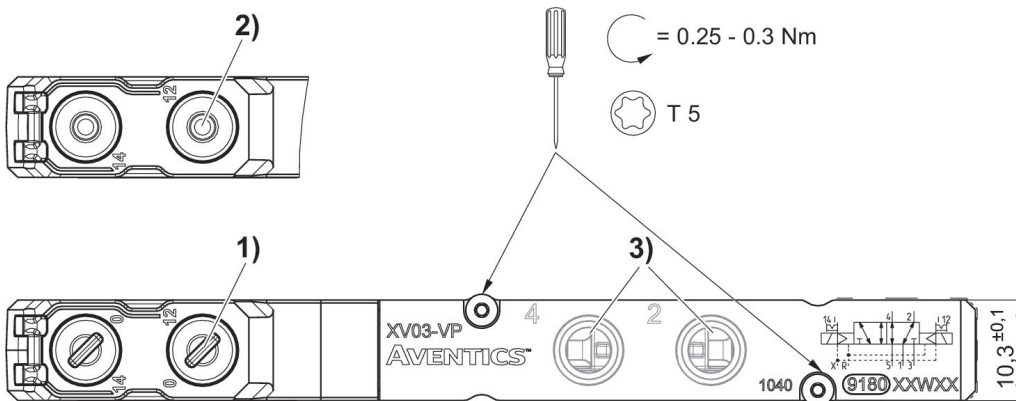
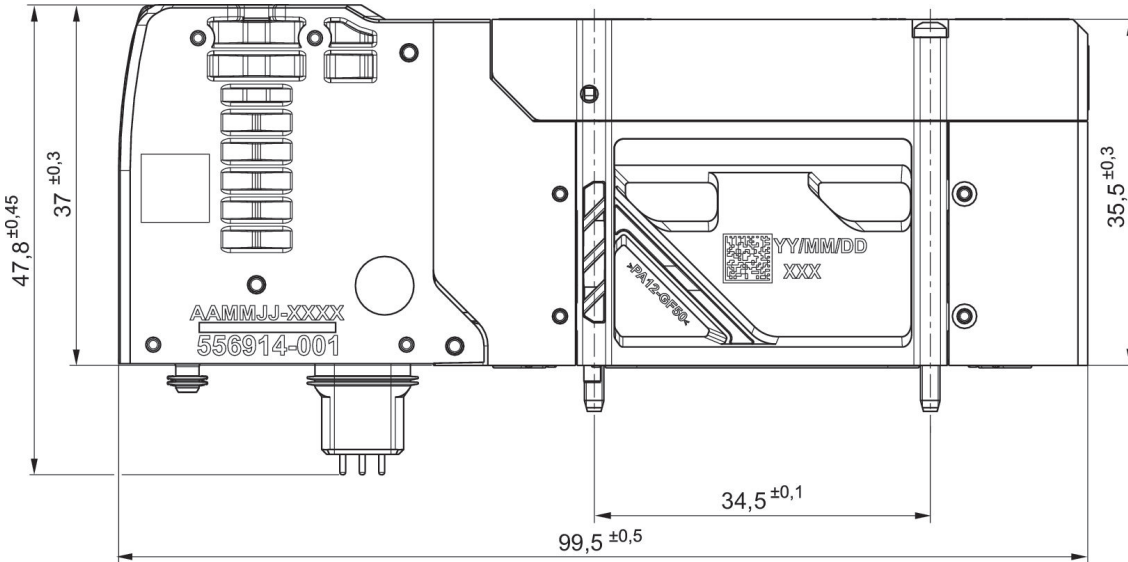
2x3/2-directional valve, Series XV03, NC/NO, MO: without detent, Top connection

Flow: 330 l/min  
 Activation: Electrically operated  
 Min. control pressure: 3 bar  
 Max. control pressure: 8 bar  
 Duty cycle: 100 %  
 Type: Spool valve, positive overlapping  
 Min. ambient temperature: -10 °C  
 Max. ambient temperature: 50 °C  
 Max. working pressure: 8 bar



Switching principle	Operational voltage	Pilot	Power consumption DC [W]	Max. working pressure [bar]	Typ. switch-on time [ms]	Typ. switch-off time [ms]	Part No.
2x 3/2 NC/NO, with spring return	24 V DC	External	0.55	8	15	30	R572A2BFBMA00F1

Dimensions

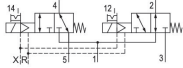


- 1) with detent
- 2) without detent
- 3) Ports: M7



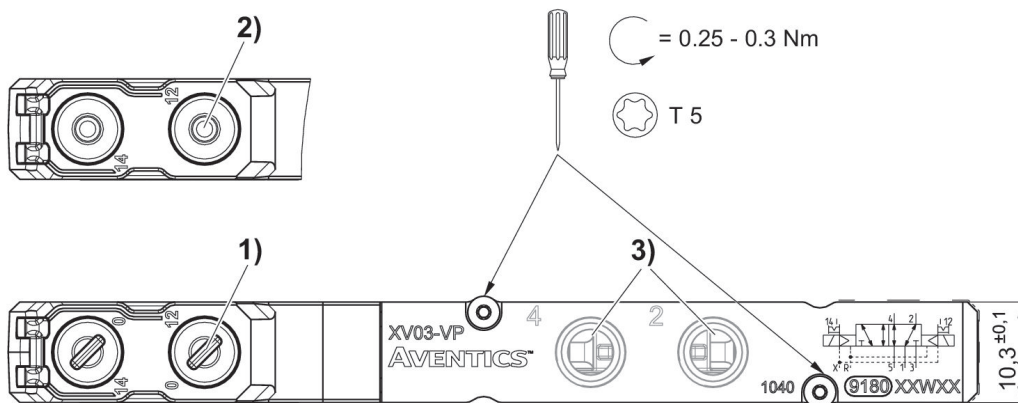
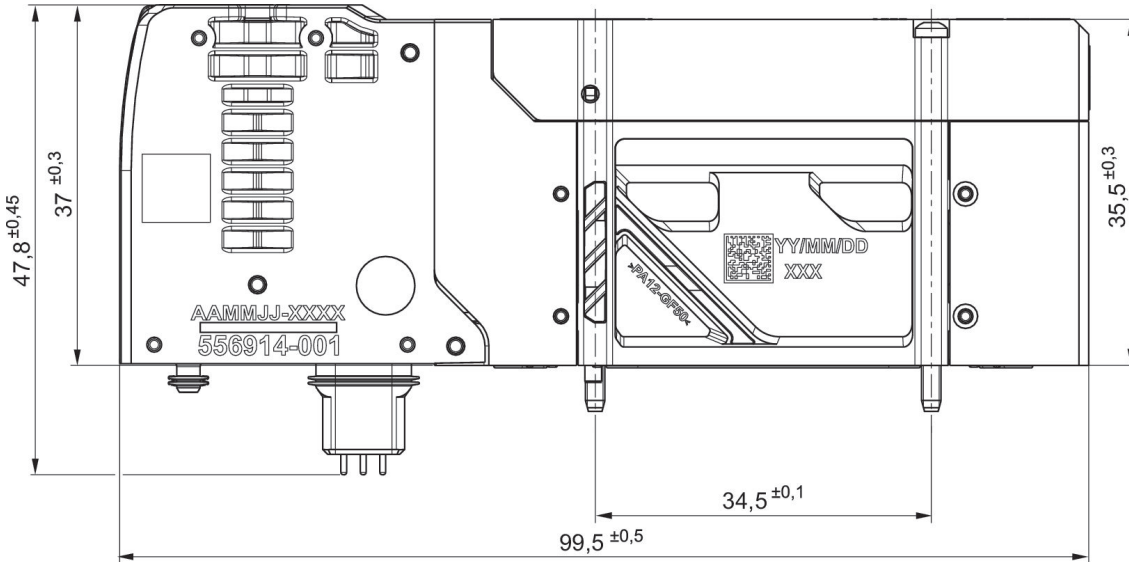
**2x3/2-directional valve, Series XV03, NC/NO, Manual override: detent, Top connection**

Flow: 330 l/min  
 Activation: Electrically operated  
 Min. control pressure: 3 bar  
 Max. control pressure: 8 bar  
 Duty cycle: 100 %  
 Type: Spool valve, positive overlapping  
 Min. ambient temperature: -10 °C  
 Max. ambient temperature: 50 °C  
 Max. working pressure: 8 bar



Switching principle	Operational voltage	Pilot	Power consumption DC [W]	Max. working pressure [bar]	Typ. switch-on time [ms]	Typ. switch-off time [ms]	Part No.
2x 3/2 NC/NO, with spring return	24 V DC	External	0.55	8	15	30	R572A2CFBMA00F1

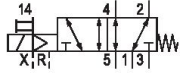
Dimensions



- 1) with detent
- 2) without detent
- 3) Ports: M7

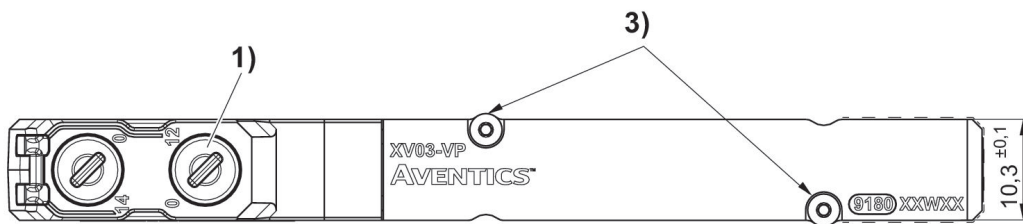
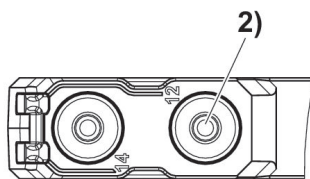
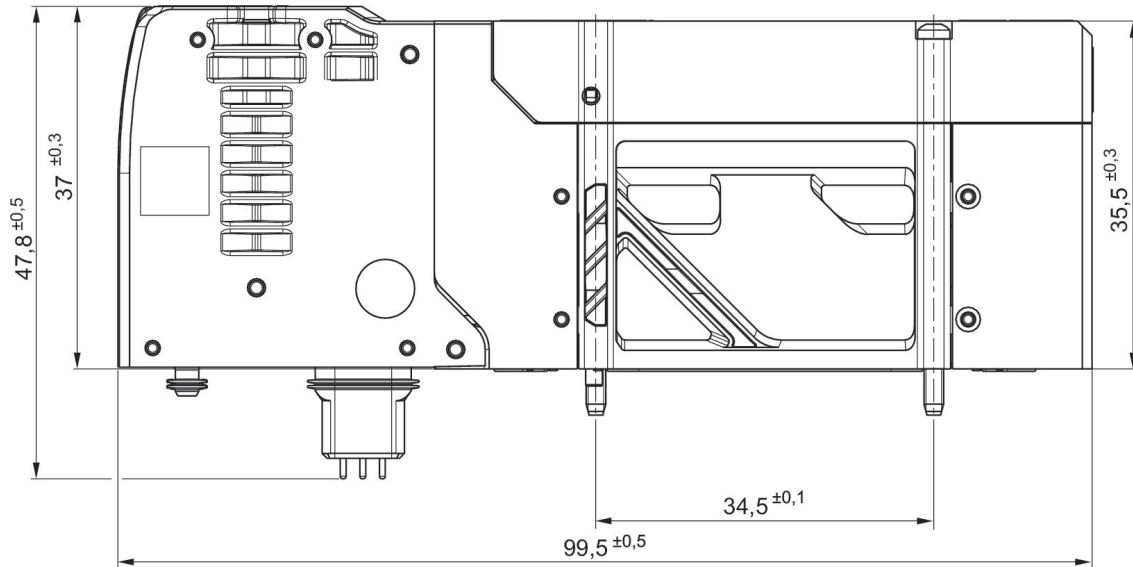
**5/2-directional valve, Series XV03, with spring return, manual override: without detent**

Flow: 345 l/min  
 Activation: Electrically operated  
 Min. control pressure: 3 bar  
 Max. control pressure: 8 bar  
 Duty cycle: 100 %  
 Type: Spool valve, positive overlapping  
 Min. ambient temperature: -10 °C  
 Max. ambient temperature: 50 °C  
 Max. working pressure: 8 bar



Switching principle	Operational voltage	Pilot	Power consumption DC [W]	Max. working pressure [bar]	Typ. switch-on time [ms]	Typ. switch-off time [ms]	Part No.
5/2, with spring return	24 V DC	External	0.55	8	15	30	R572A2B10MA00F1

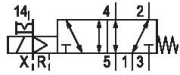
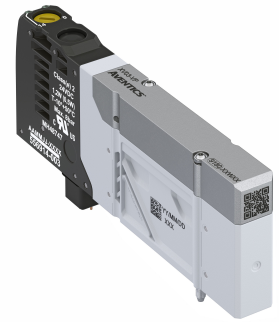
Dimensions



- 1) with detent
- 2) without detent
- 3) Tightening torque: 0,25 Nm ±0,05

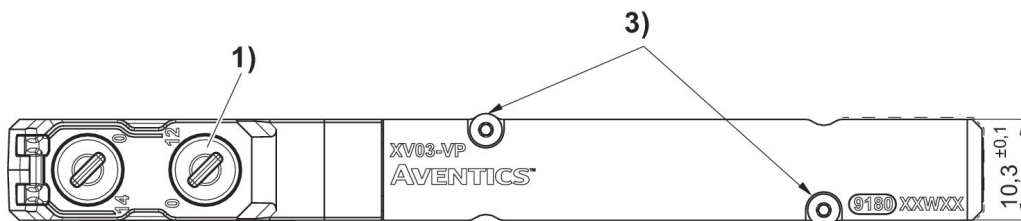
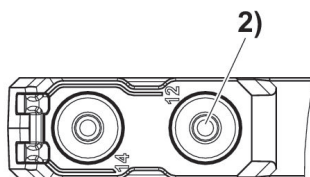
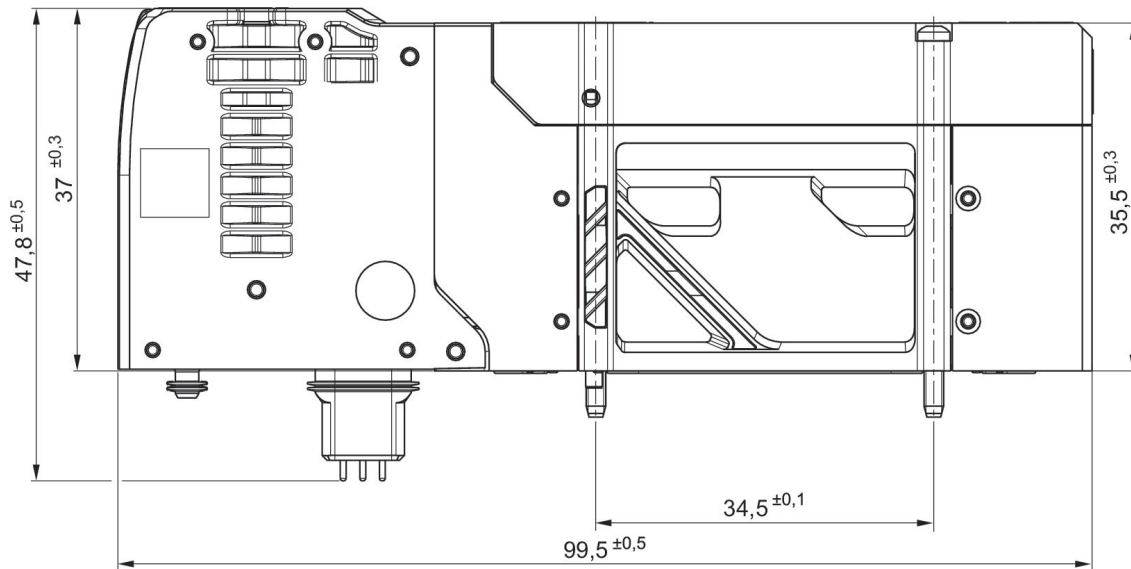
**5/2-directional valve, Series XV03, with spring return, Manual override: with detent**

Flow: 345 l/min  
 Activation: Electrically operated  
 Min. control pressure: 3 bar  
 Max. control pressure: 8 bar  
 Duty cycle: 100 %  
 Type: Spool valve, positive overlapping  
 Min. ambient temperature: -10 °C  
 Max. ambient temperature: 50 °C  
 Max. working pressure: 8 bar



Switching principle	Operational voltage	Pilot	Power consumption DC [W]	Max. working pressure [bar]	Typ. switch-on time [ms]	Typ. switch-off time [ms]	Part No.
5/2, with spring return	24 V DC	External	0.55	8	15	30	R572A2C10MA00F1

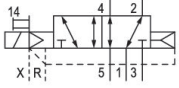
Dimensions



- 1) with detent
- 2) without detent
- 3) Tightening torque: 0,25 Nm ±0,05

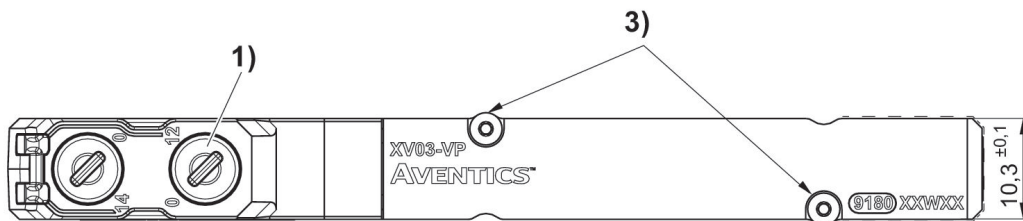
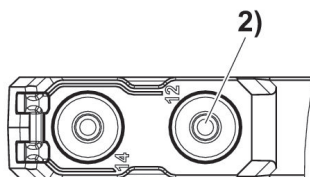
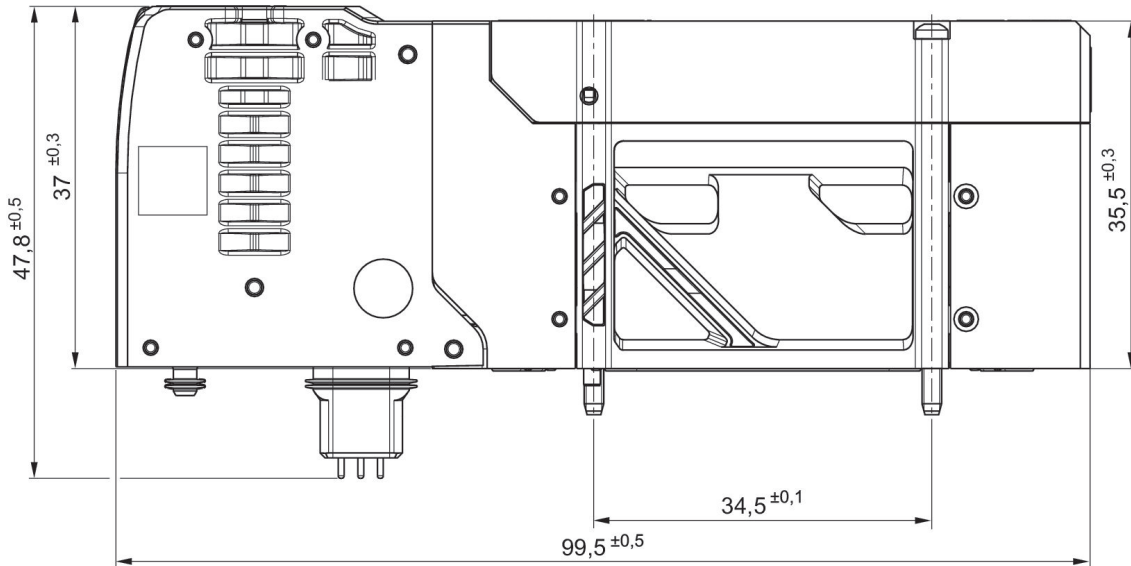
**5/2-directional valve, series XV03, with air spring reset, manual override: without detent**

Flow: 345 l/min  
 Activation: Electrically operated  
 Min. control pressure: 3 bar  
 Max. control pressure: 8 bar  
 Duty cycle: 100 %  
 Type: Spool valve, positive overlapping  
 Min. ambient temperature: -10 °C  
 Max. ambient temperature: 50 °C  
 Max. working pressure: 8 bar



Switching principle	Operational voltage	Pilot	Power consumption DC [W]	Max. working pressure [bar]	Typ. switch-on time [ms]	Typ. switch-off time [ms]	Part No.
5/2, with air spring return	24 V DC	External	0.55	8	15	30	R572A2BN0MA00F1

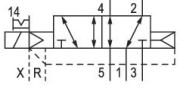
Dimensions



- 1) with detent
- 2) without detent
- 3) Tightening torque: 0,25 Nm ±0,05

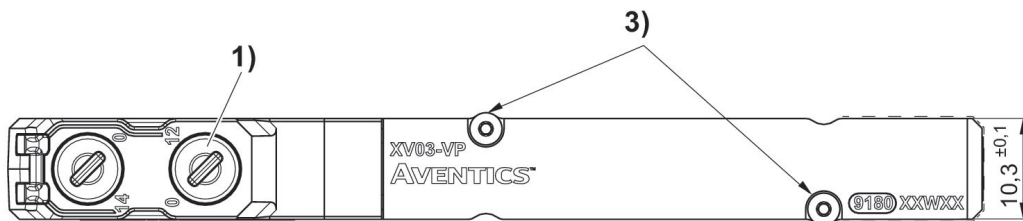
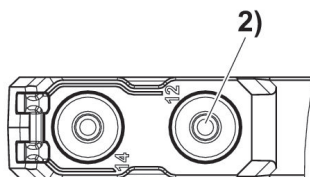
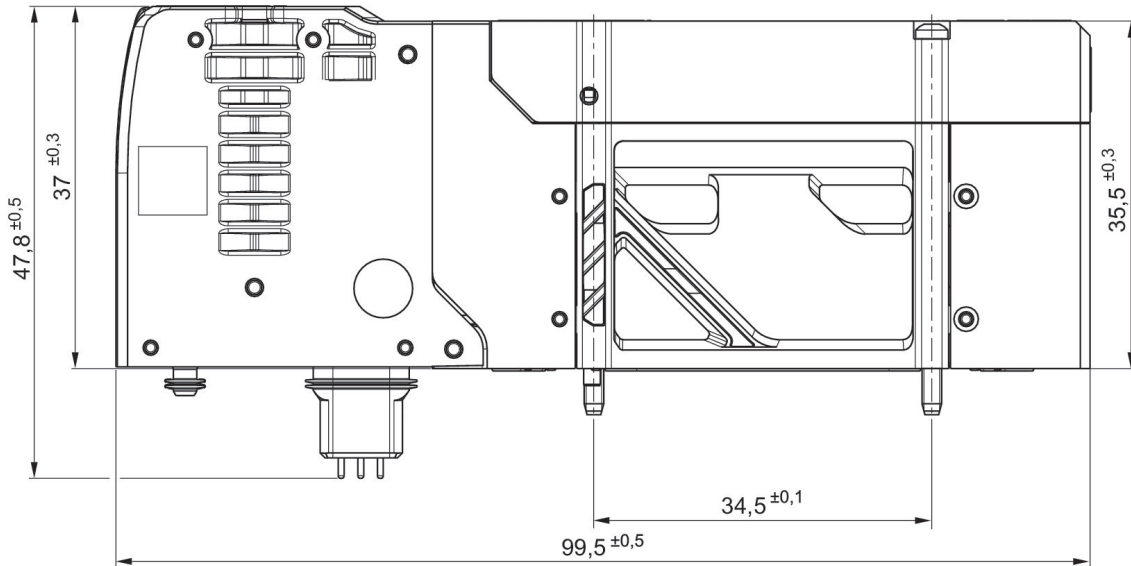
**5/2-directional valve, Series XV03, with air spring return, Manual override: with detent**

Flow: 345 l/min  
 Activation: Electrically operated  
 Min. control pressure: 3 bar  
 Max. control pressure: 8 bar  
 Duty cycle: 100 %  
 Type: Spool valve, positive overlapping  
 Min. ambient temperature: -10 °C  
 Max. ambient temperature: 50 °C  
 Max. working pressure: 8 bar



Switching principle	Operational voltage	Pilot	Power consumption DC [W]	Max. working pressure [bar]	Typ. switch-on time [ms]	Typ. switch-off time [ms]	Part No.
5/2, with air spring return	24 V DC	External	0.55	8	15	30	R572A2CN0MA00F1

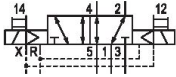
Dimensions



- 1) with detent
- 2) without detent
- 3) Tightening torque: 0,25 Nm ±0,05

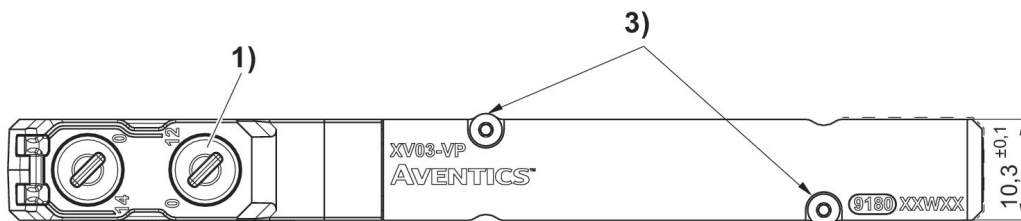
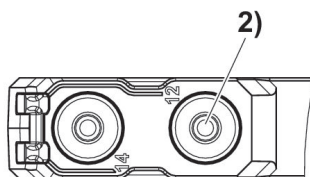
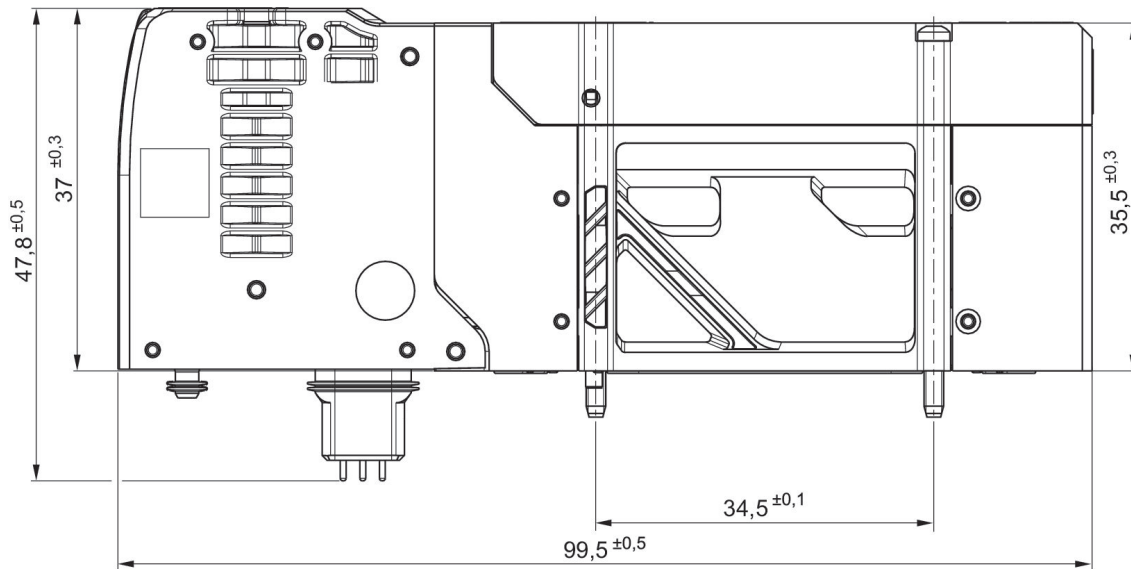
**5/2-directional valve, Series XV03, double solenoid, manual override: without detent**

Flow: 345 l/min  
 Activation: Electrically operated  
 Min. control pressure: 3 bar  
 Max. control pressure: 8 bar  
 Duty cycle: 100 %  
 Type: Spool valve, positive overlapping  
 Min. ambient temperature: -10 °C  
 Max. ambient temperature: 50 °C  
 Max. working pressure: 8 bar



Switching principle	Operational voltage	Pilot	Power consumption DC [W]	Max. working pressure [bar]	Typ. switch-on time [ms]	Part No.
5/2, double solenoid	24 V DC	External	0.55	8	15	R572A2B40MA00F1

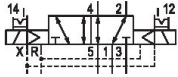
Dimensions



- 1) with detent
- 2) without detent
- 3) Tightening torque: 0,25 Nm ±0,05

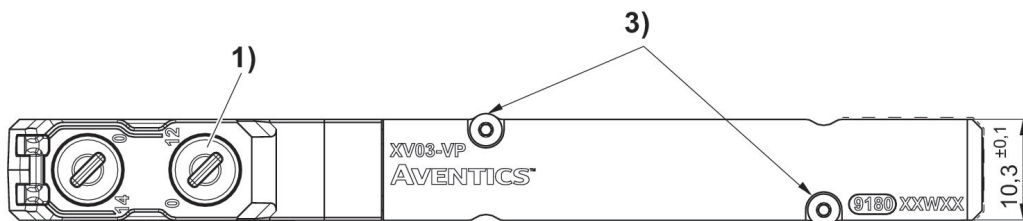
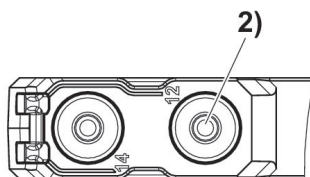
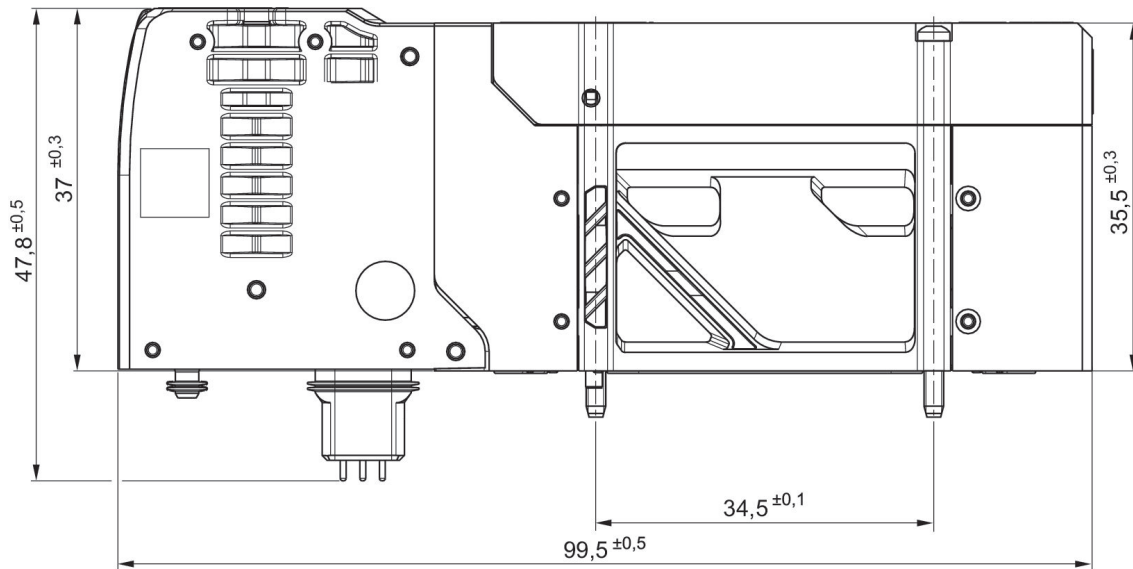
**5/2-directional valve, Series XV03, double solenoid, Manual override: with detent**

Flow: 345 l/min  
 Activation: Electrically operated  
 Min. control pressure: 3 bar  
 Max. control pressure: 8 bar  
 Duty cycle: 100 %  
 Type: Spool valve, positive overlapping  
 Min. ambient temperature: -10 °C  
 Max. ambient temperature: 50 °C  
 Max. working pressure: 8 bar



Switching principle	Operational voltage	Pilot	Power consumption DC [W]	Max. working pressure [bar]	Typ. switch-on time [ms]	Part No.
5/2, double solenoid	24 V DC	External	0.55	8	15	R572A2C40MA00F1

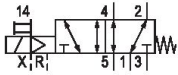
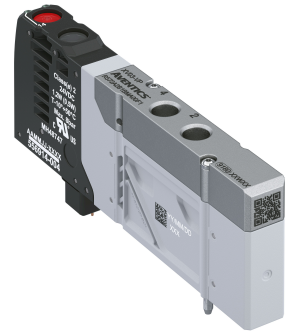
Dimensions



- 1) with detent
- 2) without detent
- 3) Tightening torque: 0,25 Nm ±0,05

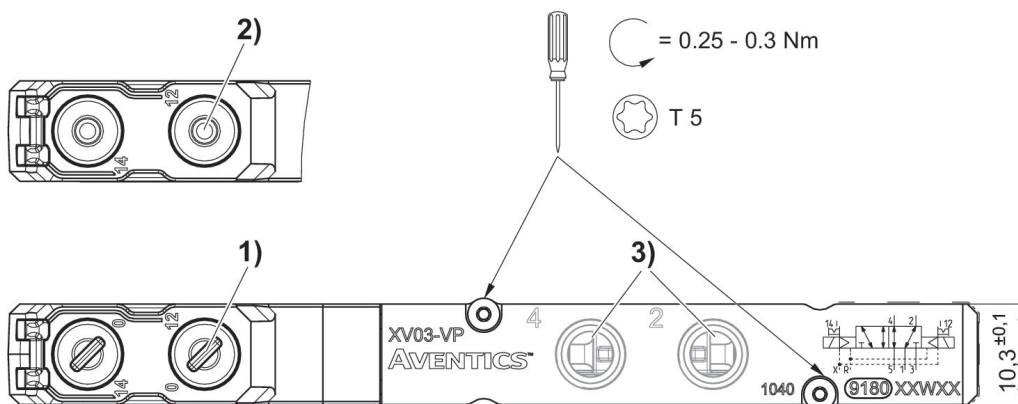
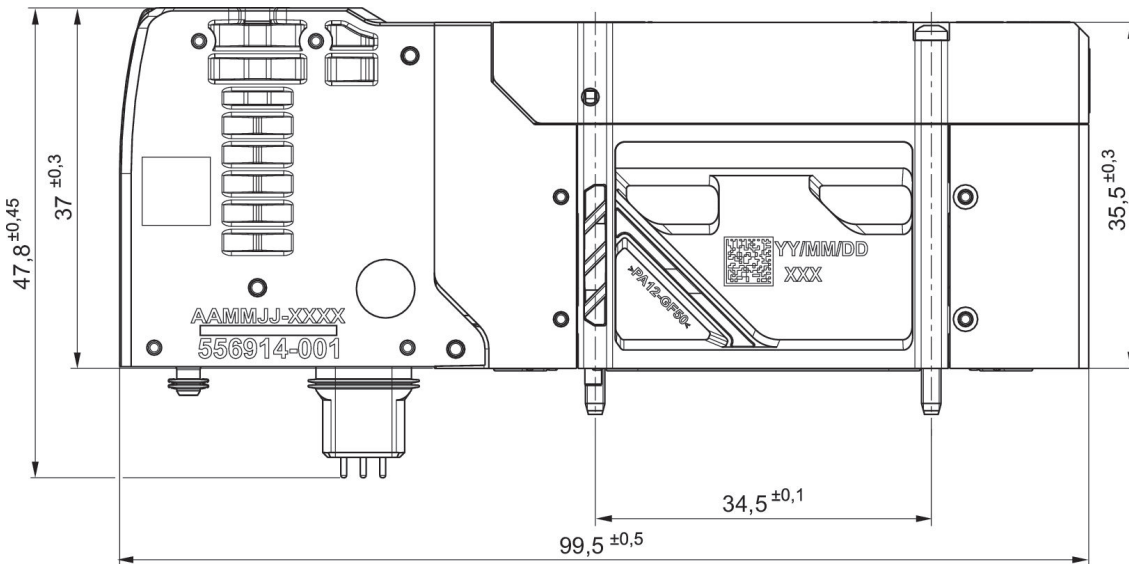
**5/2-directional valve, Series XV03, with spring return, MO: without detent, Top connection**

Flow: 345 l/min  
 Activation: Electrically operated  
 Min. control pressure: 3 bar  
 Max. control pressure: 8 bar  
 Duty cycle: 100 %  
 Type: Spool valve, positive overlapping  
 Min. ambient temperature: -10 °C  
 Max. ambient temperature: 50 °C  
 Max. working pressure: 8 bar



Switching principle	Operational voltage	Pilot	Power consumption DC [W]	Max. working pressure [bar]	Typ. switch-on time [ms]	Typ. switch-off time [ms]	Part No.
5/2, with spring return	24 V DC	External	0.55	8	15	30	R572A2B1BMA00F1

Dimensions

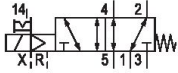
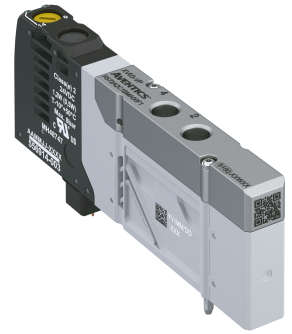


- 1) with detent
- 2) without detent
- 3) Ports: M7



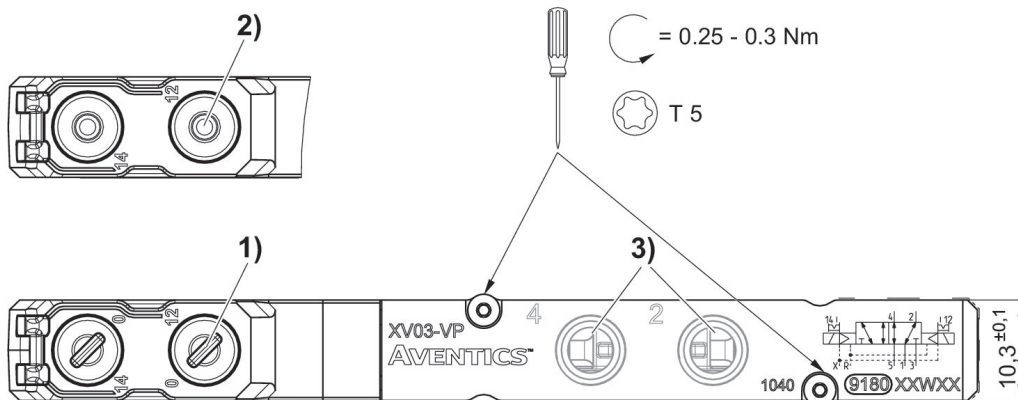
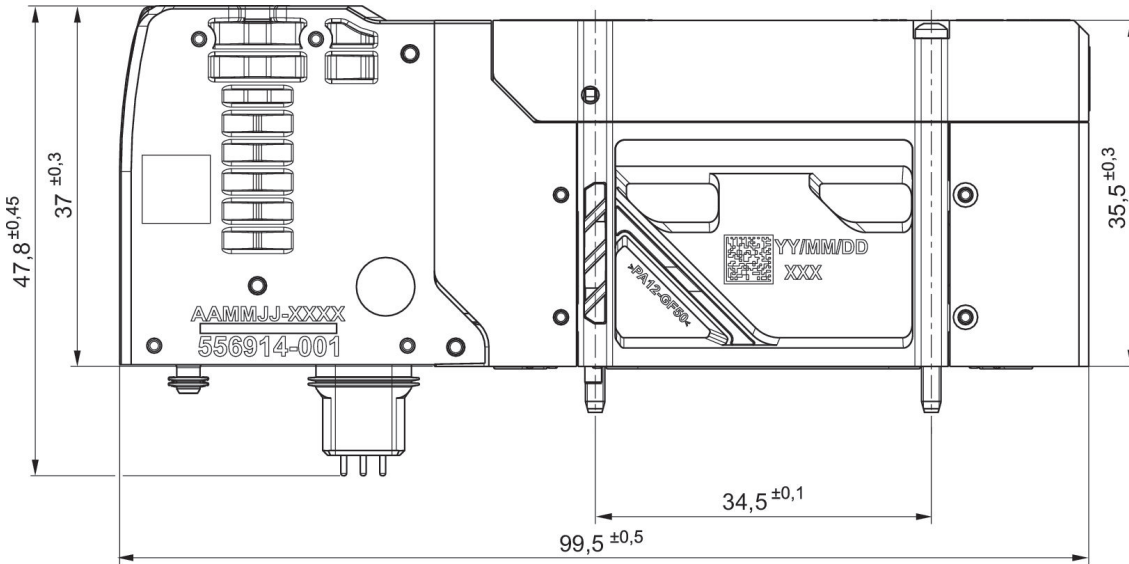
**5/2-directional valve, Series XV03, with spring return, MO: with detent, Top connection**

Flow: 345 l/min  
 Activation: Electrically operated  
 Min. control pressure: 3 bar  
 Max. control pressure: 8 bar  
 Duty cycle: 100 %  
 Type: Spool valve, positive overlapping  
 Min. ambient temperature: -10 °C  
 Max. ambient temperature: 50 °C  
 Max. working pressure: 8 bar



Switching principle	Operational voltage	Pilot	Power consumption DC [W]	Max. working pressure [bar]	Typ. switch-on time [ms]	Typ. switch-off time [ms]	Part No.
5/2, with spring return	24 V DC	External	0.55	8	15	30	R572A2C1BMA00F1

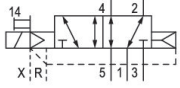
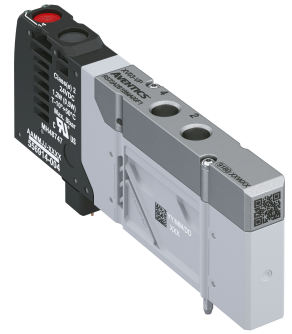
Dimensions



- 1) with detent
- 2) without detent
- 3) Ports: M7

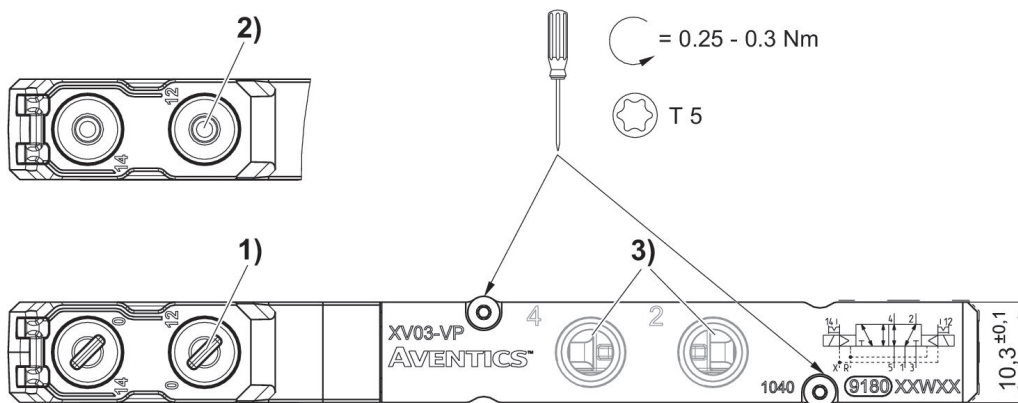
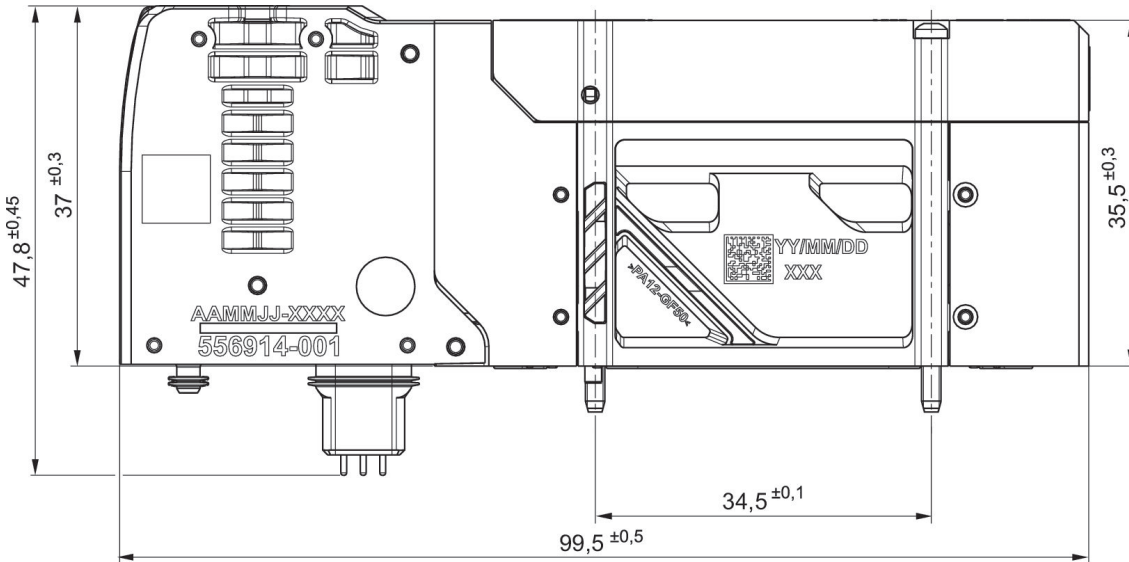
**5/2-directional valve, Series XV03, with air spring return, MO: without detent, Top connection**

Flow: 345 l/min  
 Activation: Electrically operated  
 Min. control pressure: 3 bar  
 Max. control pressure: 8 bar  
 Duty cycle: 100 %  
 Type: Spool valve, positive overlapping  
 Min. ambient temperature: -10 °C  
 Max. ambient temperature: 50 °C  
 Max. working pressure: 8 bar



Switching principle	Operational voltage	Pilot	Power consumption DC [W]	Max. working pressure [bar]	Typ. switch-on time [ms]	Typ. switch-off time [ms]	Part No.
5/2, with air spring return	24 V DC	External	0.55	8	15	30	R572A2BNBMA00F1

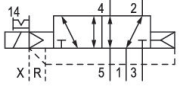
Dimensions



- 1) with detent
- 2) without detent
- 3) Ports: M7

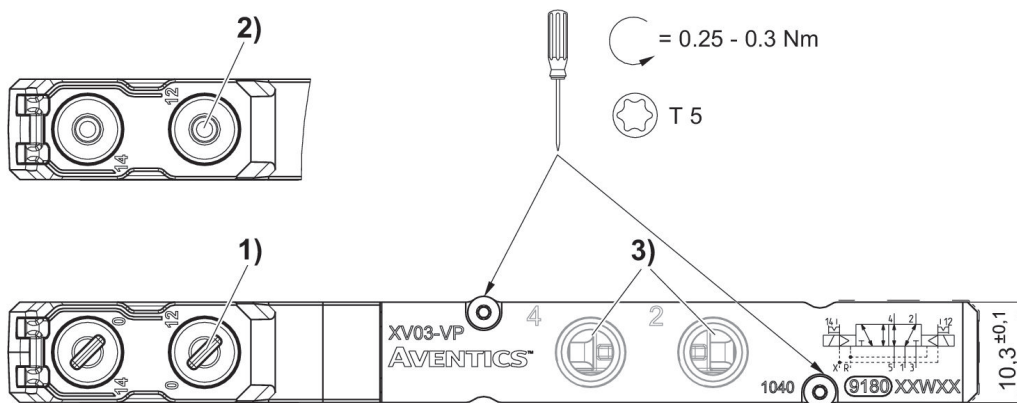
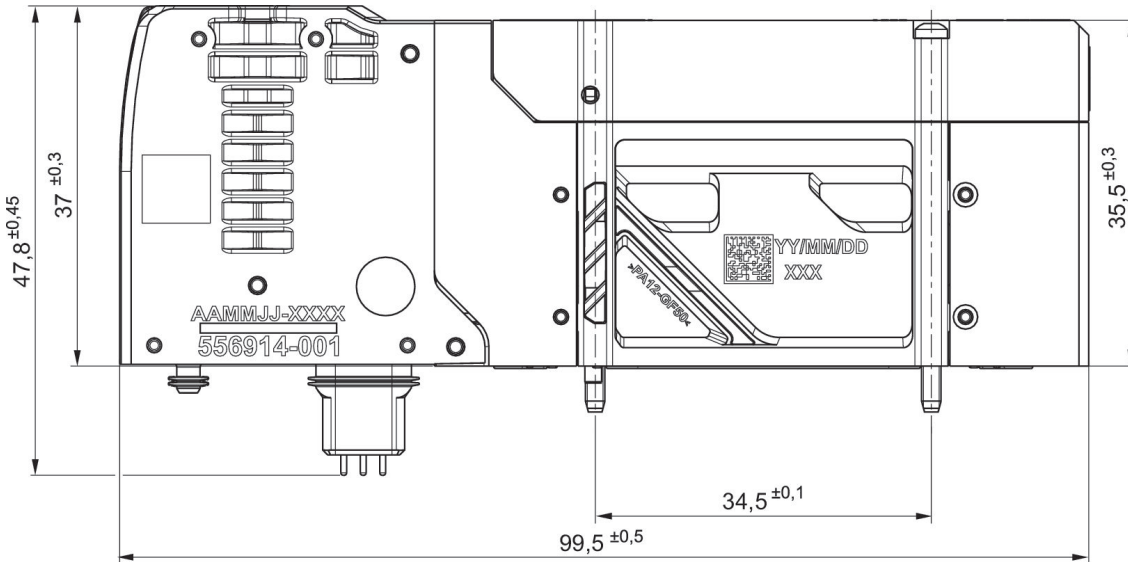
**5/2-directional valve, Series XV03, with air spring return, MO: with detent, Top connection**

Flow: 345 l/min  
 Activation: Electrically operated  
 Min. control pressure: 3 bar  
 Max. control pressure: 8 bar  
 Duty cycle: 100 %  
 Type: Spool valve, positive overlapping  
 Min. ambient temperature: -10 °C  
 Max. ambient temperature: 50 °C  
 Max. working pressure: 8 bar



Switching principle	Operational voltage	Pilot	Power consumption DC [W]	Max. working pressure [bar]	Typ. switch-on time [ms]	Typ. switch-off time [ms]	Part No.
5/2, with air spring return	24 V DC	External	0.55	8	15	30	R572A2CNBMA00F1

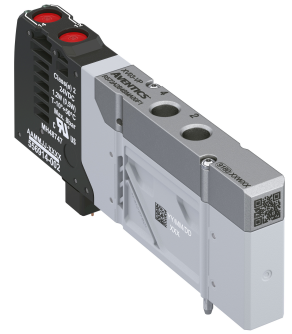
Dimensions



- 1) with detent
- 2) without detent
- 3) Ports: M7

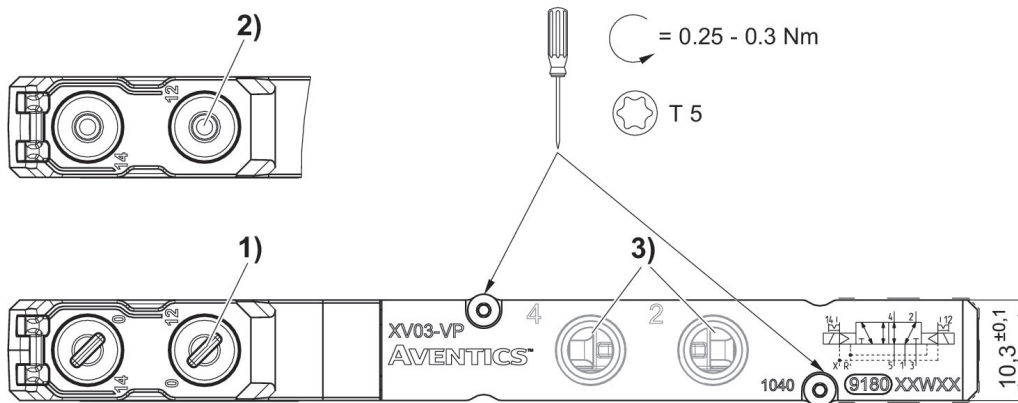
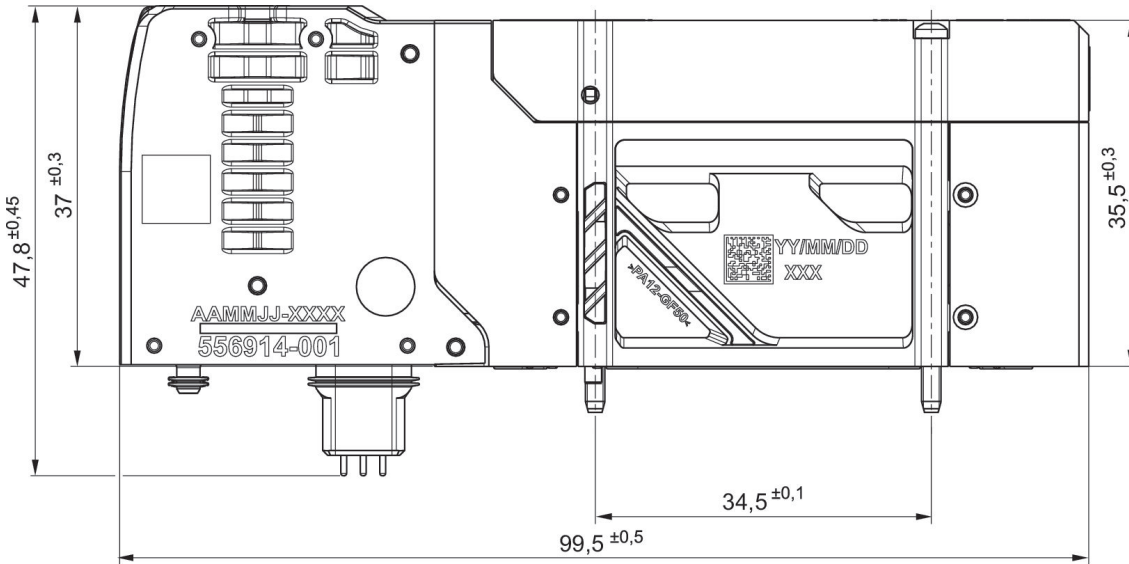
**5/2-directional valve, Series XV03, double solenoid, MO: without detent, Top connection**

Flow: 345 l/min  
 Activation: Electrically operated  
 Min. control pressure: 3 bar  
 Max. control pressure: 8 bar  
 Duty cycle: 100 %  
 Type: Spool valve, positive overlapping  
 Min. ambient temperature: -10 °C  
 Max. ambient temperature: 50 °C  
 Max. working pressure: 8 bar



Switching principle	Operational voltage	Pilot	Power consumption DC [W]	Max. working pressure [bar]	Typ. switch-on time [ms]	Part No.
5/2, double solenoid	24 V DC	External	0.55	8	15	R572A2B4BMA00F1

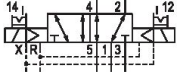
Dimensions



- 1) with detent
- 2) without detent
- 3) Ports: M7

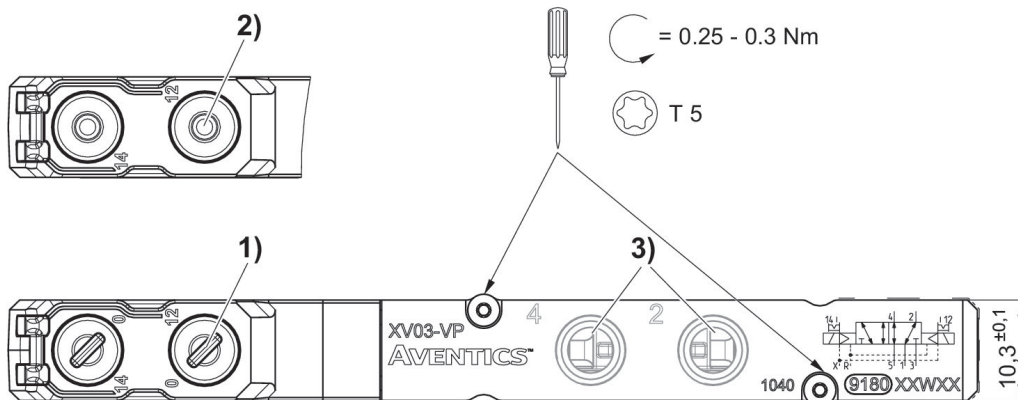
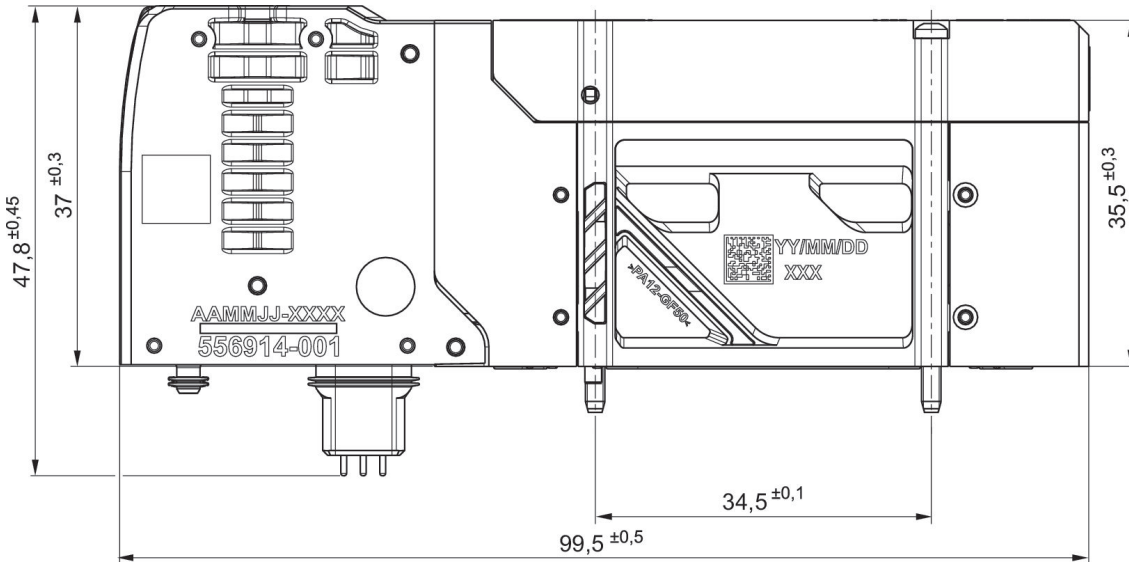
**5/2-directional valve, Series XV03, double solenoid, MO: with detent, Top connection**

Flow: 345 l/min  
 Activation: Electrically operated  
 Min. control pressure: 3 bar  
 Max. control pressure: 8 bar  
 Duty cycle: 100 %  
 Type: Spool valve, positive overlapping  
 Min. ambient temperature: -10 °C  
 Max. ambient temperature: 50 °C  
 Max. working pressure: 8 bar



Switching principle	Operational voltage	Pilot	Power consumption DC [W]	Max. working pressure [bar]	Typ. switch-on time [ms]	Part No.
5/2, double solenoid	24 V DC	External	0.55	8	15	R572A2C4BMA00F1

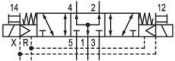
Dimensions



- 1) with detent
- 2) without detent
- 3) Ports: M7

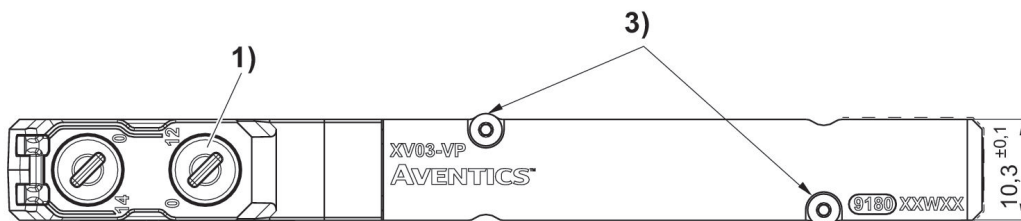
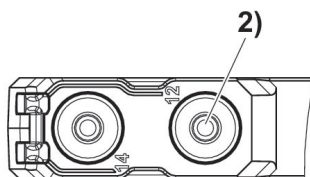
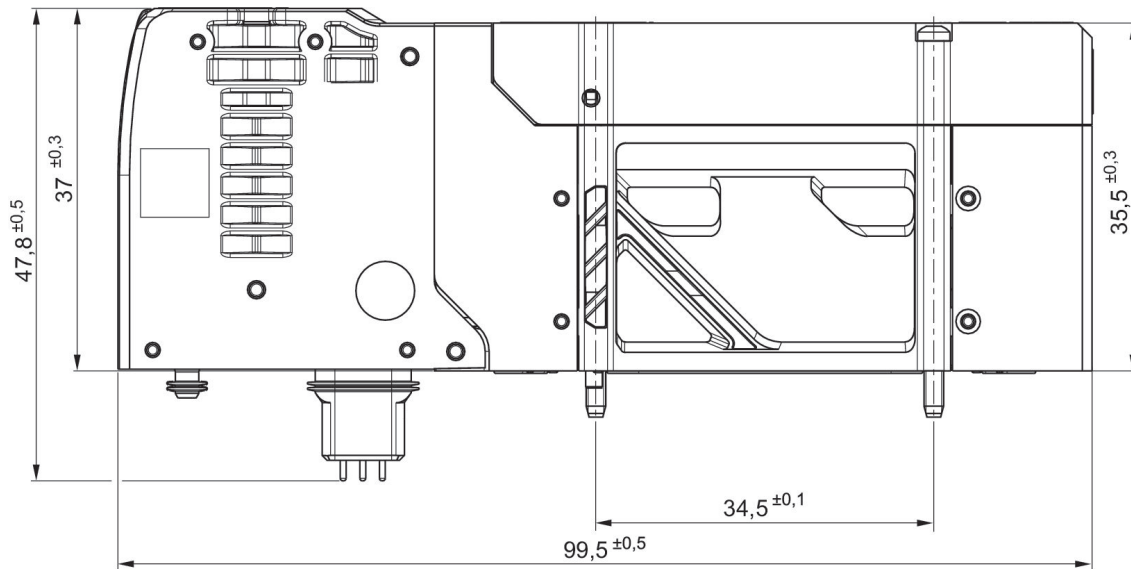
**5/3-directional valve, Series XV03, pressurized enter, manual override: without detent**

Flow: 350 l/min  
 Activation: Electrically operated  
 Min. control pressure: 3 bar  
 Max. control pressure: 8 bar  
 Duty cycle: 100 %  
 Type: Spool valve, positive overlapping  
 Min. ambient temperature: -10 °C  
 Max. ambient temperature: 50 °C  
 Max. working pressure: 8 bar



Switching principle	Operational voltage	Pilot	Power consumption DC [W]	Max. working pressure [bar]	Typ. switch-on time [ms]	Typ. switch-off time [ms]	Part No.
5/3, pressurized center	24 V DC	External	0.55	8	15	30	R572A2B50MA00F1

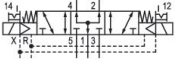
Dimensions



- 1) with detent
- 2) without detent
- 3) Tightening torque: 0,25 Nm ±0,05

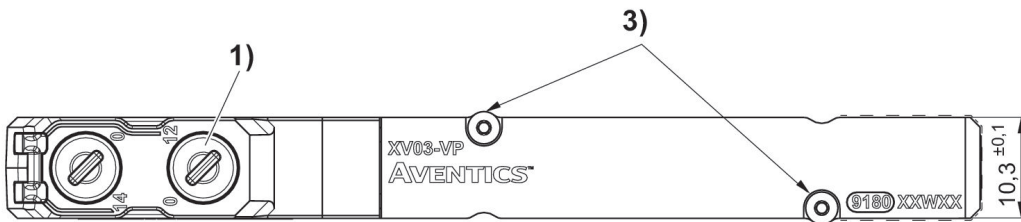
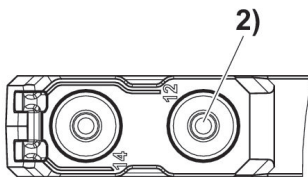
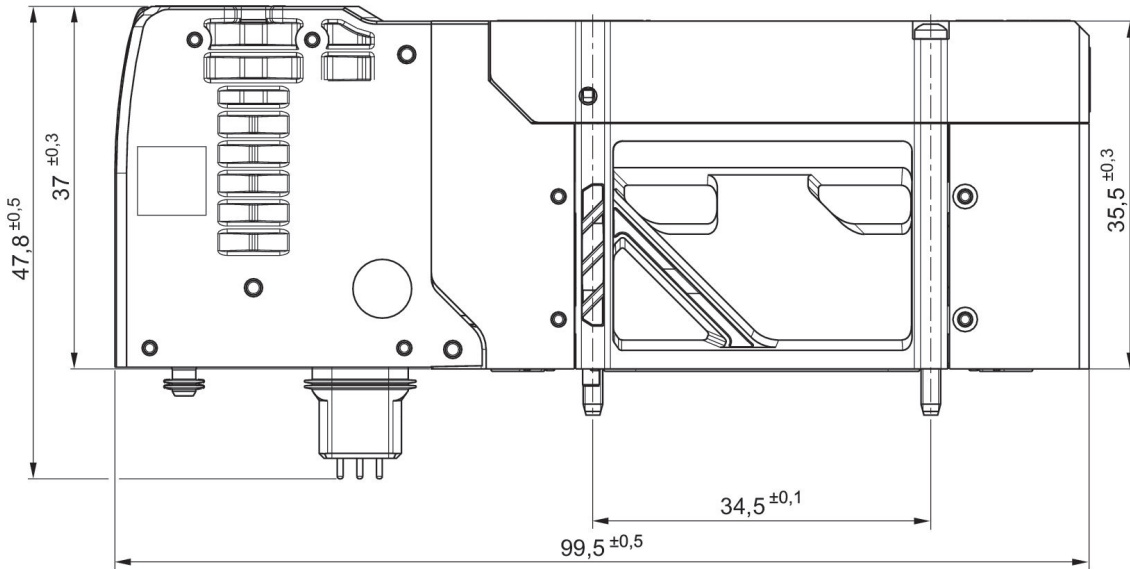
**5/3-directional valve, Series XV03, pressurized center, Manual override: with detent**

Flow: 350 l/min  
 Activation: Electrically operated  
 Min. control pressure: 3 bar  
 Max. control pressure: 8 bar  
 Duty cycle: 100 %  
 Type: Spool valve, positive overlapping  
 Min. ambient temperature: -10 °C  
 Max. ambient temperature: 50 °C  
 Max. working pressure: 8 bar



Switching principle	Operational voltage	Pilot	Power consumption DC [W]	Max. working pressure [bar]	Typ. switch-on time [ms]	Typ. switch-off time [ms]	Part No.
5/3, pressurized center	24 V DC	External	0.55	8	15	30	R572A2C50MA00F1

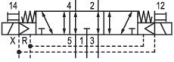
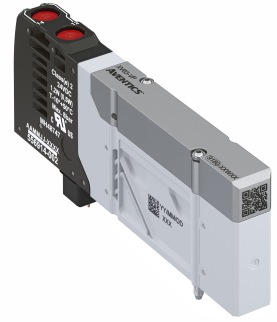
Dimensions



- 1) with detent
- 2) without detent
- 3) Tightening torque: 0,25 Nm ±0,05

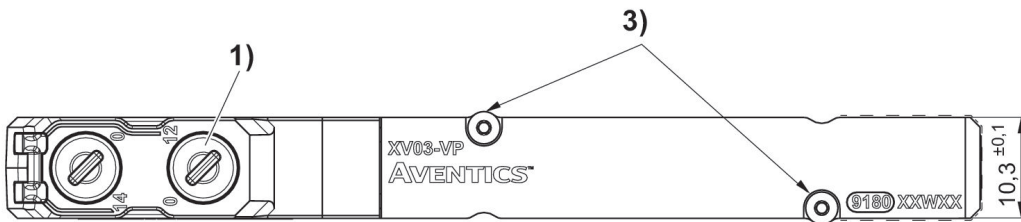
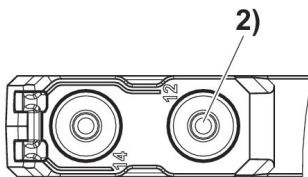
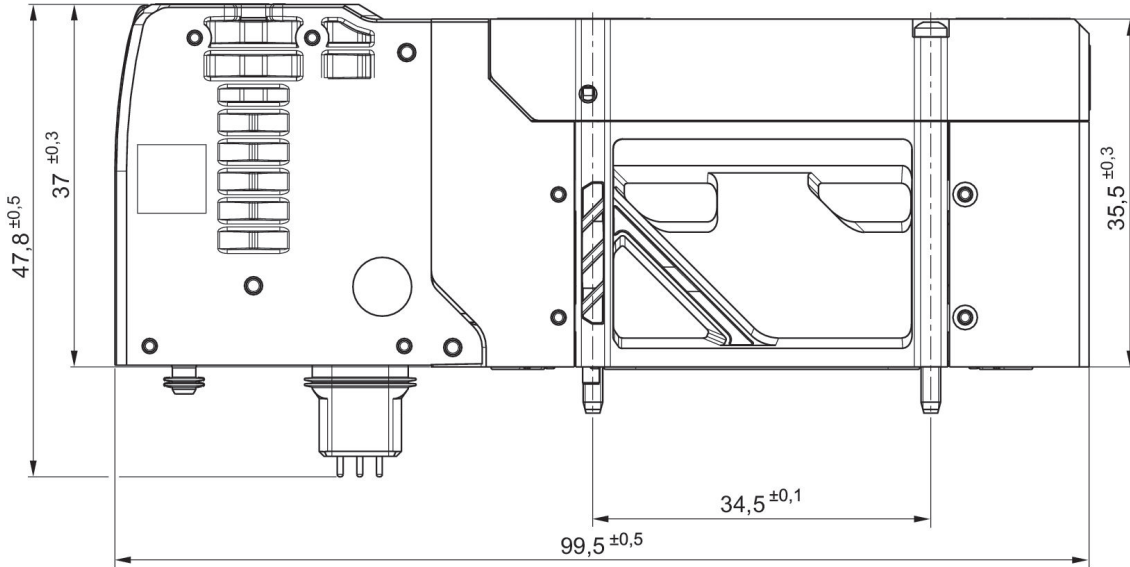
**5/3-directional valve, Series XV03, exhausted center, manual override: without detent**

Flow: 285 l/min  
 Activation: Electrically operated  
 Min. control pressure: 3 bar  
 Max. control pressure: 8 bar  
 Duty cycle: 100 %  
 Type: Spool valve, positive overlapping  
 Min. ambient temperature: -10 °C  
 Max. ambient temperature: 50 °C  
 Max. working pressure: 8 bar



Switching principle	Operational voltage	Pilot	Power consumption DC [W]	Max. working pressure [bar]	Typ. switch-on time [ms]	Typ. switch-off time [ms]	Part No.
5/3, exhausted center	24 V DC	External	0.55	8	15	30	R572A2B70MA00F1

Dimensions

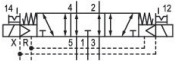


- 1) with detent
- 2) without detent
- 3) Tightening torque: 0,25 Nm ±0,05



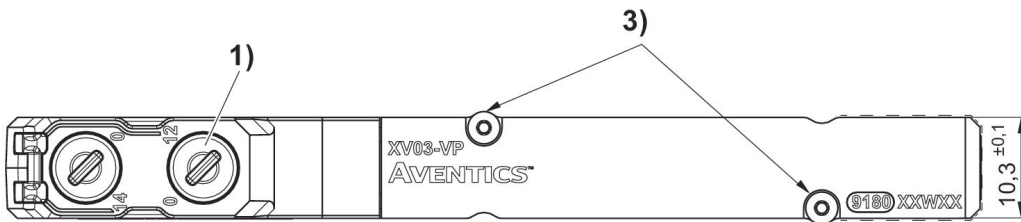
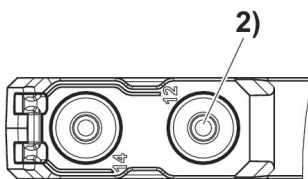
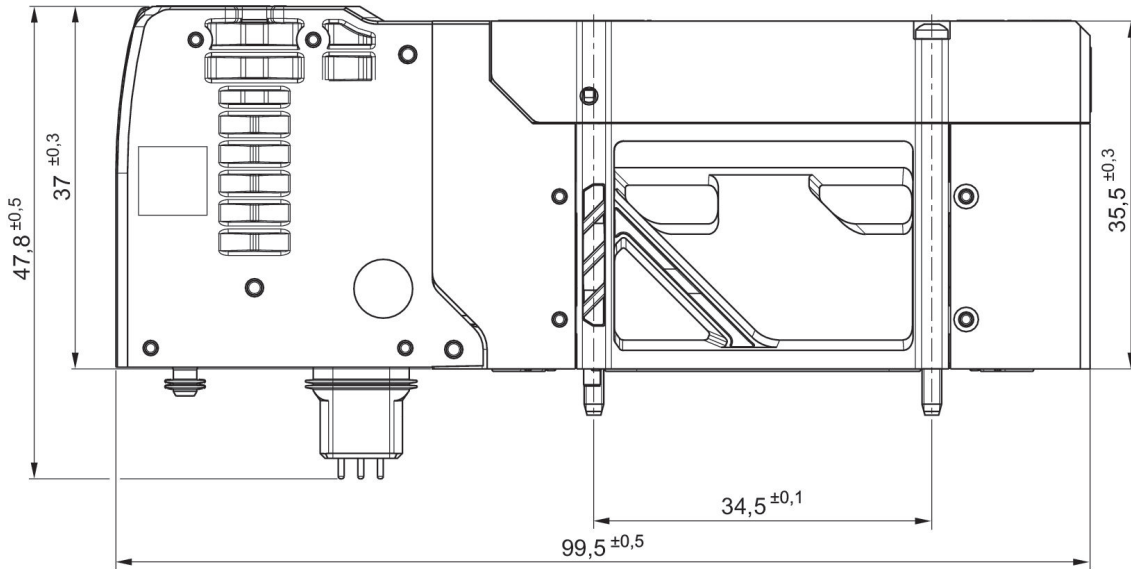
**5/3-directional valve, Series XV03, Exhausted Center, Manual override: with detent**

Flow: 285 l/min  
 Activation: Electrically operated  
 Min. control pressure: 3 bar  
 Max. control pressure: 8 bar  
 Duty cycle: 100 %  
 Type: Spool valve, positive overlapping  
 Min. ambient temperature: -10 °C  
 Max. ambient temperature: 50 °C  
 Max. working pressure: 8 bar



Switching principle	Operational voltage	Pilot	Power consumption DC [W]	Max. working pressure [bar]	Typ. switch-on time [ms]	Typ. switch-off time [ms]	Part No.
5/3, exhausted center	24 V DC	External	0.55	8	15	30	R572A2C70MA00F1

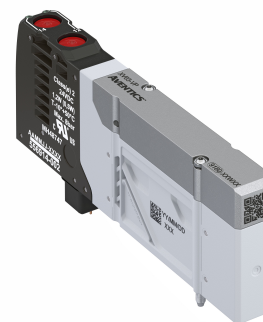
Dimensions



- 1) with detent
- 2) without detent
- 3) Tightening torque: 0,25 Nm ±0,05

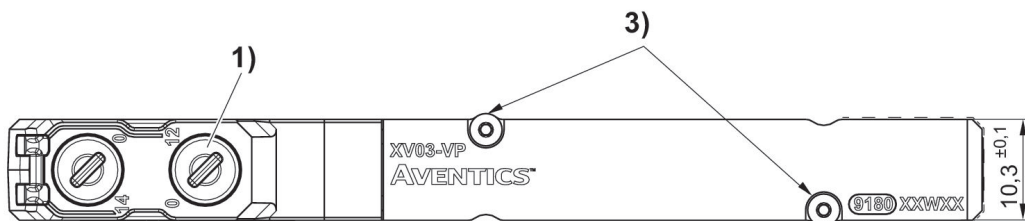
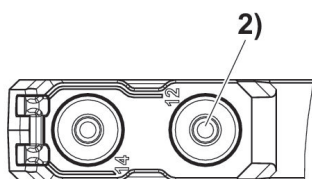
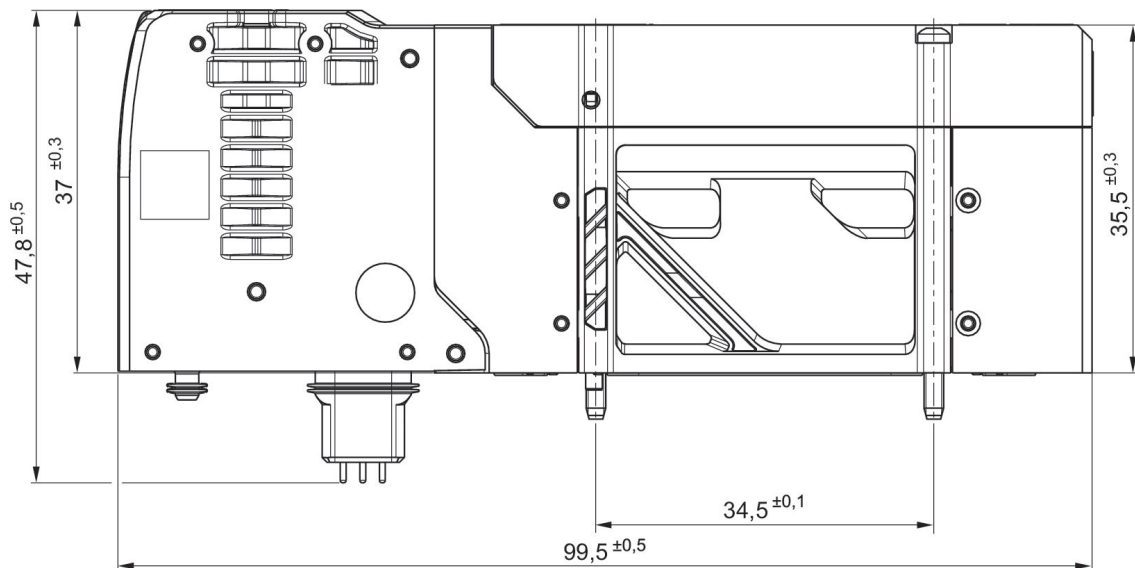
**5/3-directional valve, Series XV03, closed center, manual override: without detent**

Flow: 280 l/min  
 Activation: Electrically operated  
 Min. control pressure: 3 bar  
 Max. control pressure: 8 bar  
 Duty cycle: 100 %  
 Type: Spool valve, positive overlapping  
 Min. ambient temperature: -10 °C  
 Max. ambient temperature: 50 °C  
 Max. working pressure: 8 bar



Switching principle	Operational voltage	Pilot	Power consumption DC [W]	Max. working pressure [bar]	Typ. switch-on time [ms]	Part No.
5/3, closed center	24 V DC	External	0.55	8	15	R572A2B60MA00F1

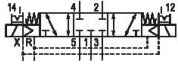
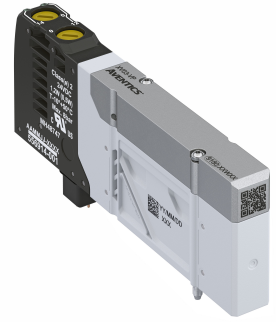
Dimensions



- 1) with detent
- 2) without detent
- 3) Tightening torque: 0,25 Nm ±0,05

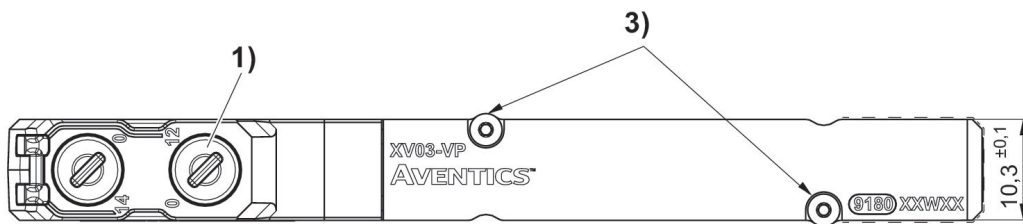
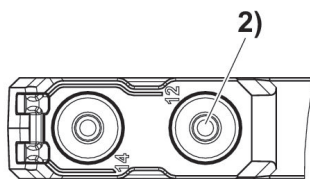
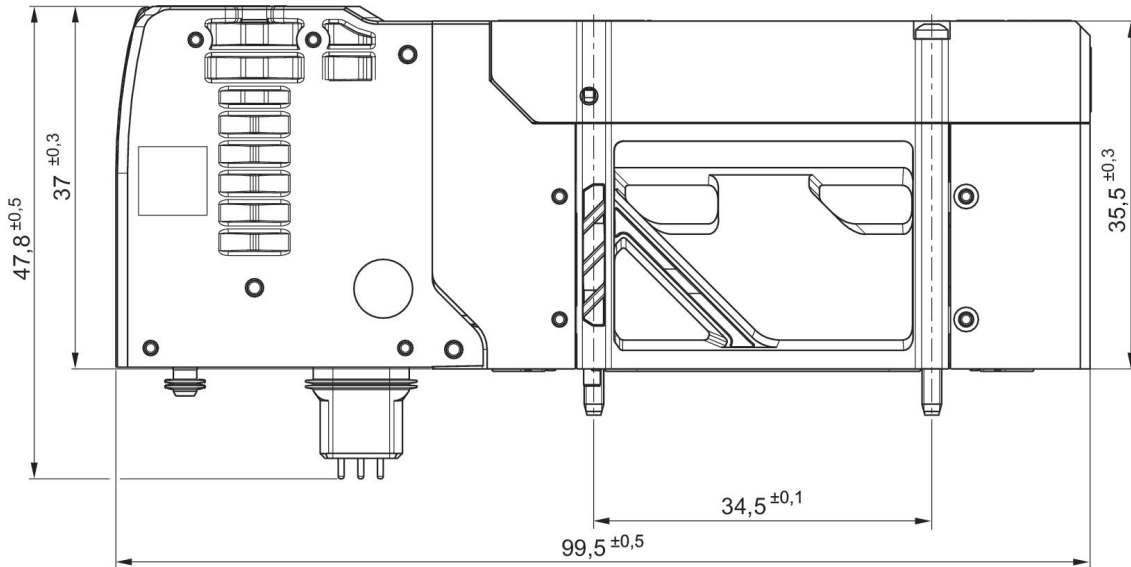
**5/3-directional valve, Series XV03, closed center, Manual override: with detent**

Flow: 280 l/min  
 Activation: Electrically operated  
 Min. control pressure: 3 bar  
 Max. control pressure: 8 bar  
 Duty cycle: 100 %  
 Type: Spool valve, positive overlapping  
 Min. ambient temperature: -10 °C  
 Max. ambient temperature: 50 °C  
 Max. working pressure: 8 bar



Switching principle	Operational voltage	Pilot	Power consumption DC [W]	Max. working pressure [bar]	Typ. switch-on time [ms]	Part No.
5/3, closed center	24 V DC	External	0.55	8	15	R572A2C60MA00F1

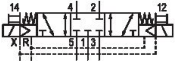
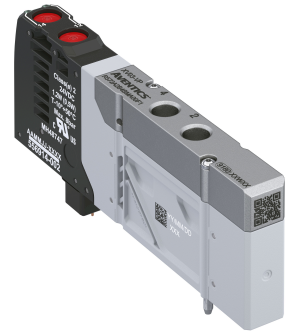
Dimensions



- 1) with detent
- 2) without detent
- 3) Tightening torque: 0,25 Nm ±0,05

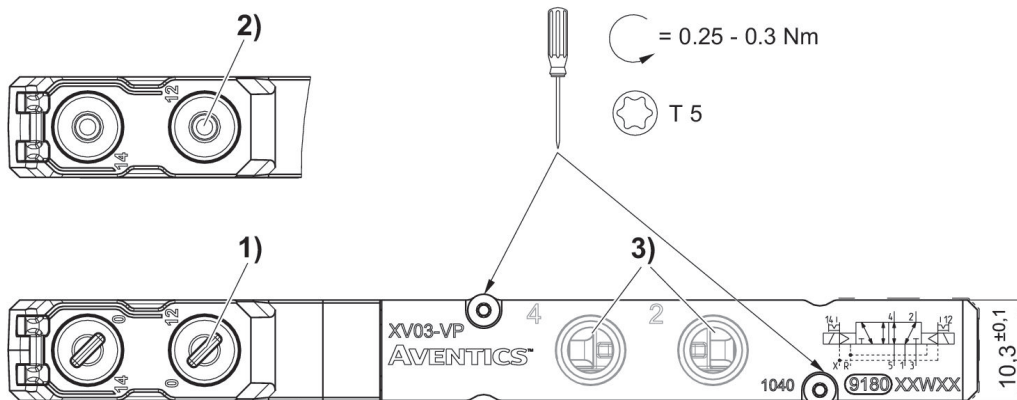
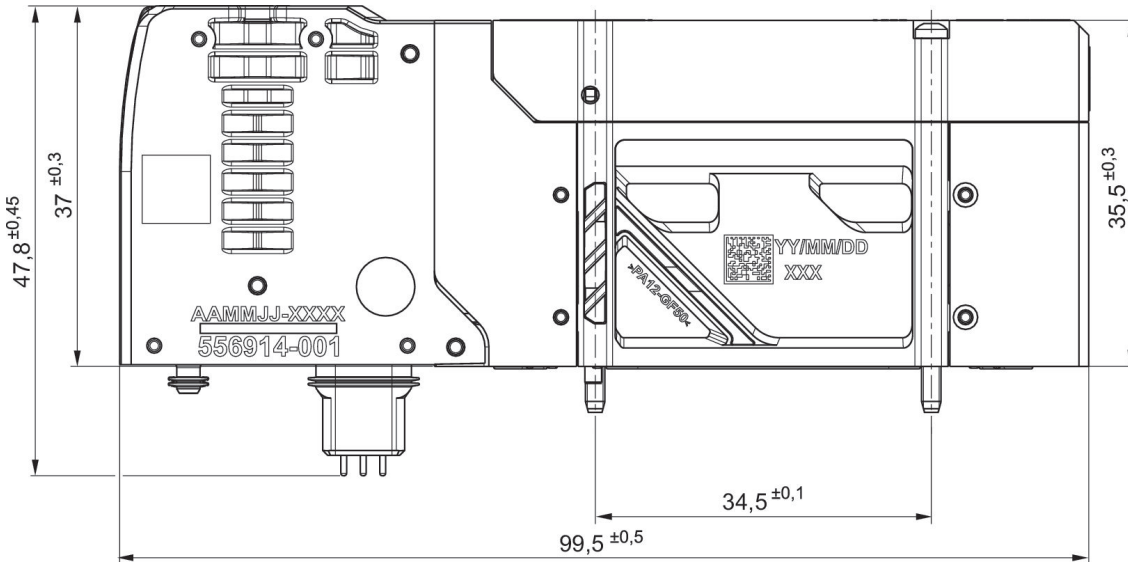
**5/3-directional valve, Series XV03, closed center, MO: without detent, Top connection**

Flow: 280 l/min  
 Activation: Electrically operated  
 Min. control pressure: 3 bar  
 Max. control pressure: 8 bar  
 Duty cycle: 100 %  
 Type: Spool valve, positive overlapping  
 Min. ambient temperature: -10 °C  
 Max. ambient temperature: 50 °C  
 Max. working pressure: 8 bar



Switching principle	Operational voltage	Pilot	Power consumption DC [W]	Max. working pressure [bar]	Typ. switch-on time [ms]	Part No.
5/3, closed center	24 V DC	External	0.55	8	15	R572A2B6BMA00F1

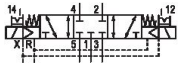
Dimensions



- 1) with detent
- 2) without detent
- 3) Ports: M7

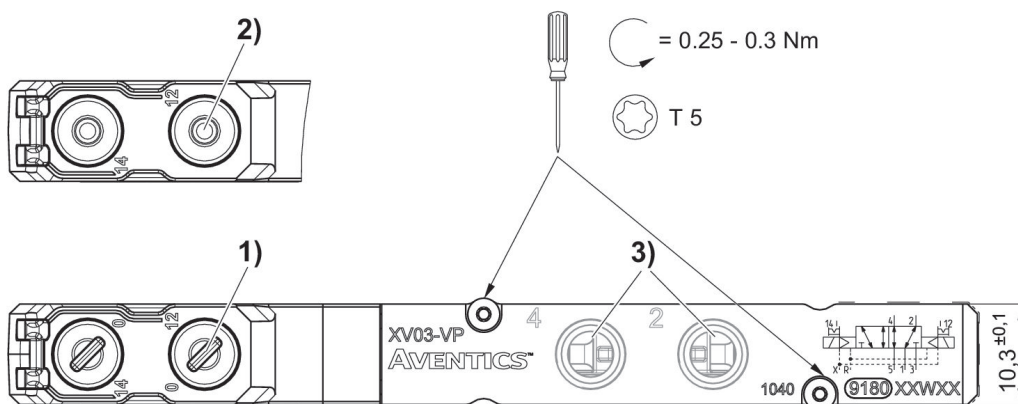
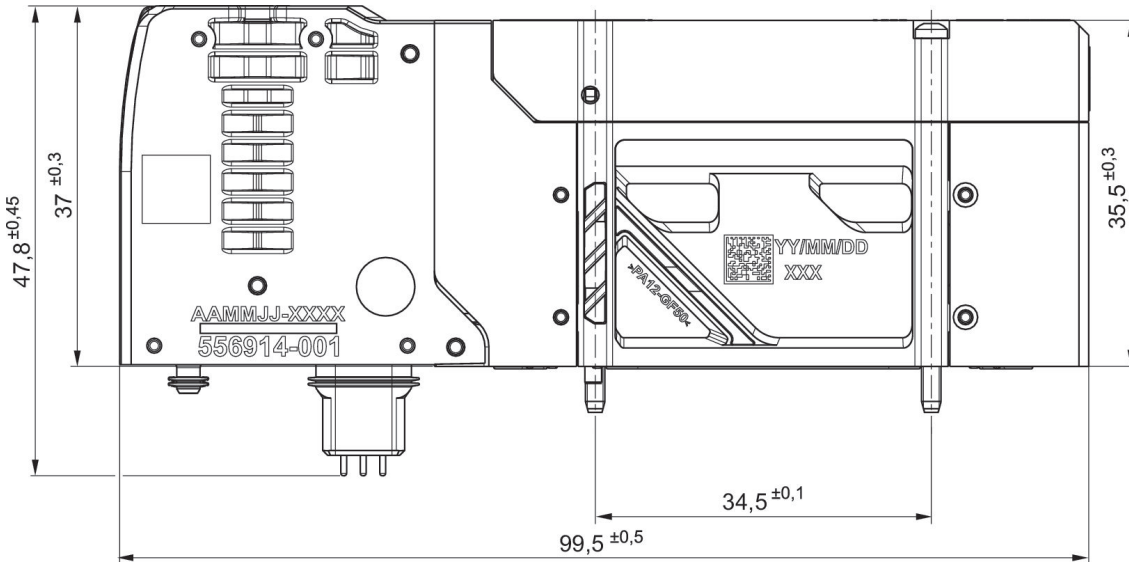
**5/3-directional valve, Series XV03, closed center, MO: with detent, Top connection**

Flow: 280 l/min  
 Activation: Electrically operated  
 Min. control pressure: 3 bar  
 Max. control pressure: 8 bar  
 Duty cycle: 100 %  
 Type: Spool valve, positive overlapping  
 Min. ambient temperature: -10 °C  
 Max. ambient temperature: 50 °C  
 Max. working pressure: 8 bar



Switching principle	Operational voltage	Pilot	Power consumption DC [W]	Max. working pressure [bar]	Typ. switch-on time [ms]	Part No.
5/3, closed center	24 V DC	External	0.55	8	15	R572A2C6BMA00F1

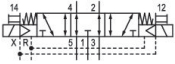
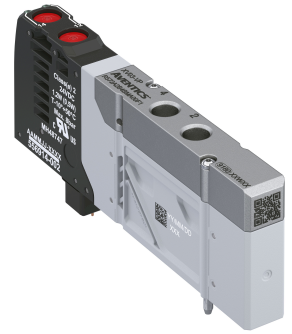
Dimensions



- 1) with detent
- 2) without detent
- 3) Ports: M7

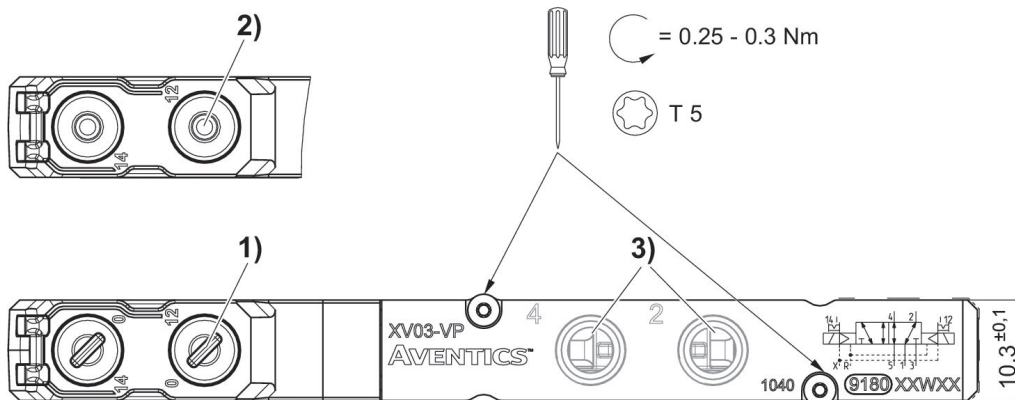
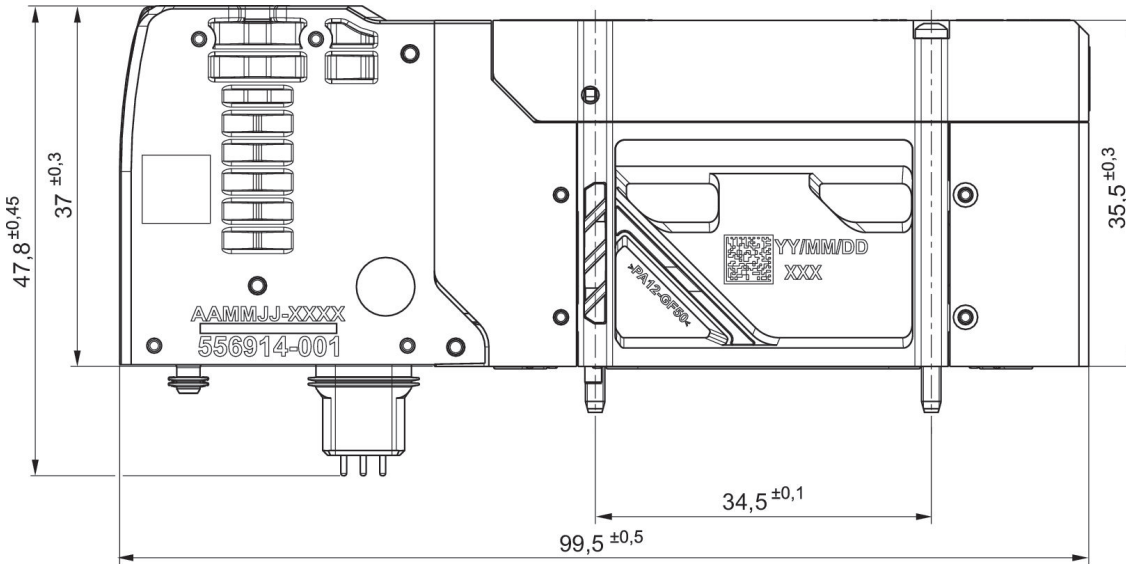
**5/3-directional valve, Series XV03, exhausted center, MO: without detent, Top connection**

Flow: 285 l/min  
 Activation: Electrically operated  
 Min. control pressure: 3 bar  
 Max. control pressure: 8 bar  
 Duty cycle: 100 %  
 Type: Spool valve, positive overlapping  
 Min. ambient temperature: -10 °C  
 Max. ambient temperature: 50 °C  
 Max. working pressure: 8 bar



Switching principle	Operational voltage	Pilot	Power consumption DC [W]	Max. working pressure [bar]	Typ. switch-on time [ms]	Typ. switch-off time [ms]	Part No.
5/3, exhausted center	24 V DC	External	0.55	8	15	30	R572A2B7BMA00F1

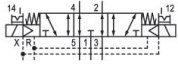
Dimensions



- 1) with detent
- 2) without detent
- 3) Ports: M7

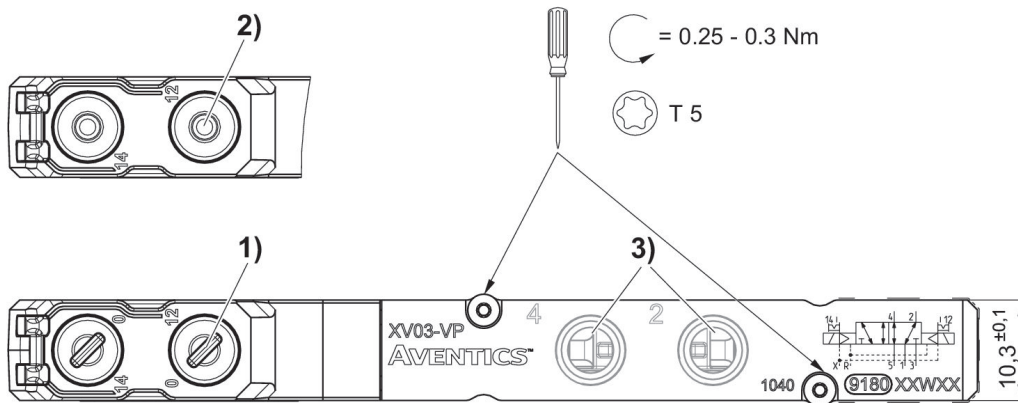
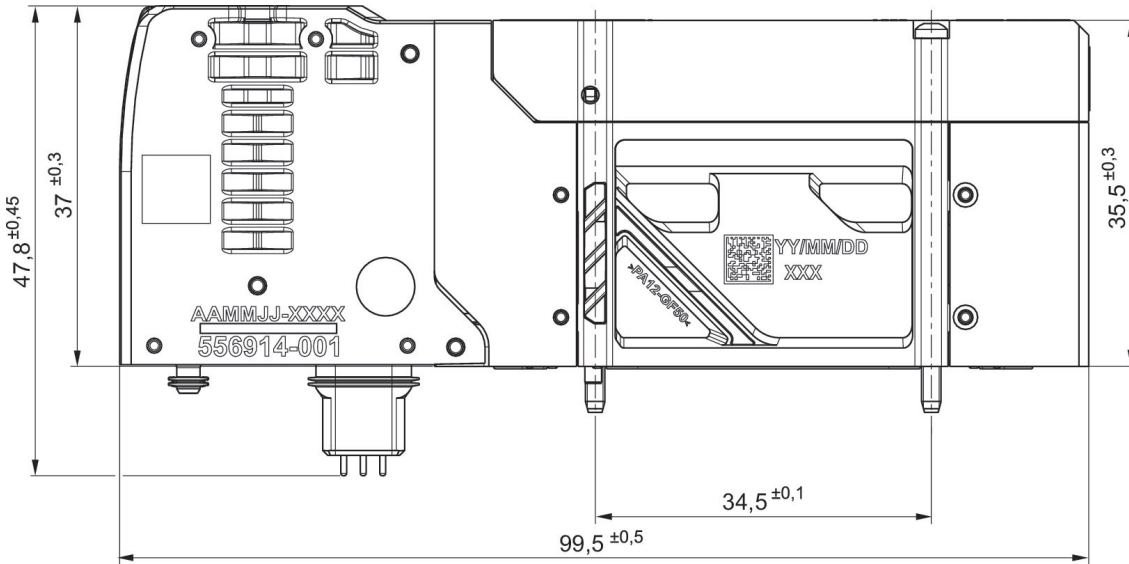
**5/3-directional valve, Series XV03, Exhausted Center, MO: with detent, Top connection**

Flow: 285 l/min  
 Activation: Electrically operated  
 Min. control pressure: 3 bar  
 Max. control pressure: 8 bar  
 Duty cycle: 100 %  
 Type: Spool valve, positive overlapping  
 Min. ambient temperature: -10 °C  
 Max. ambient temperature: 50 °C  
 Max. working pressure: 8 bar



Switching principle	Operational voltage	Pilot	Power consumption DC [W]	Max. working pressure [bar]	Typ. switch-on time [ms]	Typ. switch-off time [ms]	Part No.
5/3, exhausted center	24 V DC	External	0.55	8	15	30	R572A2C7BMA00F1

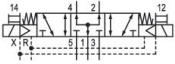
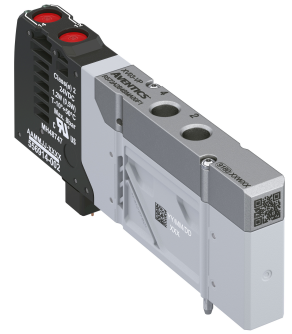
Dimensions



- 1) with detent
- 2) without detent
- 3) Ports: M7

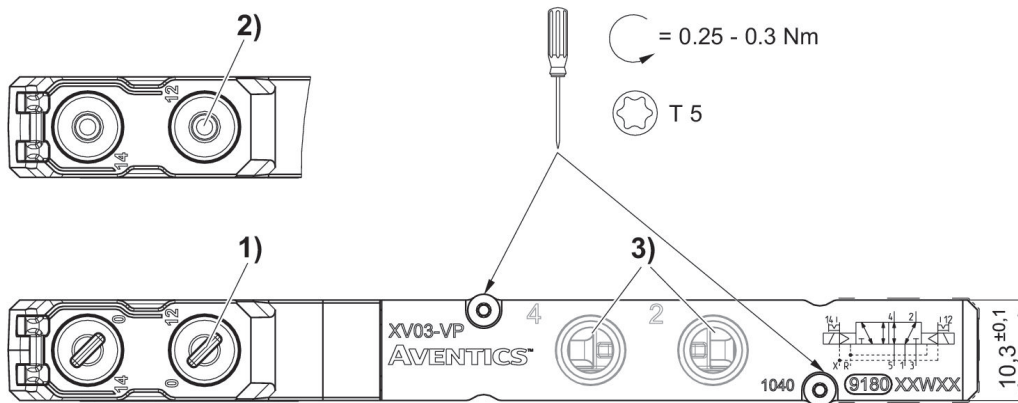
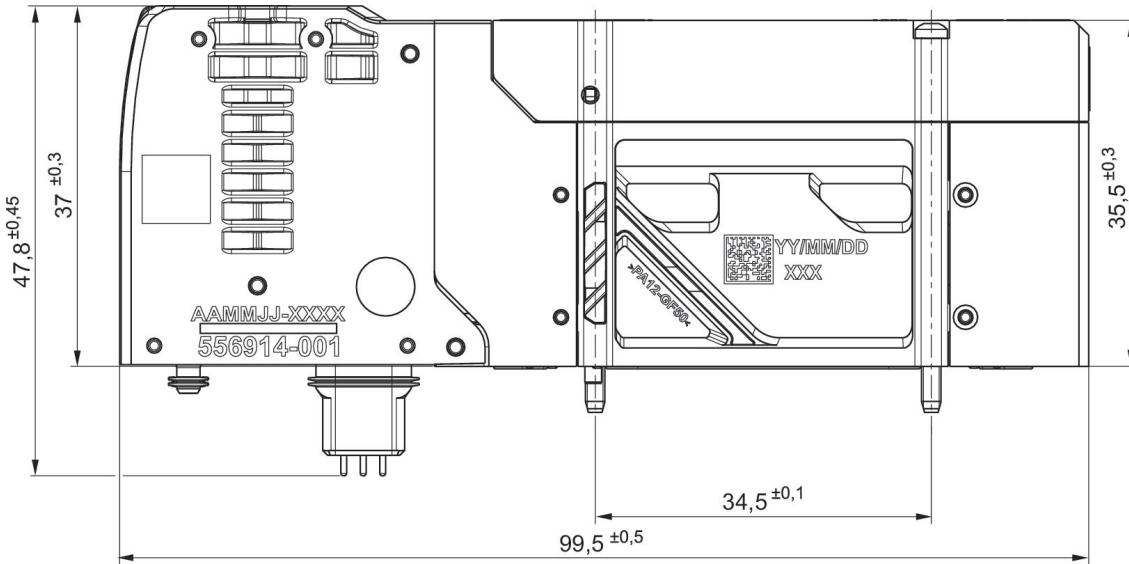
**5/3-directional valve, Series XV03, pressurized center, MO: without detent, Top connection**

Flow: 350 l/min  
 Activation: Electrically operated  
 Min. control pressure: 3 bar  
 Max. control pressure: 8 bar  
 Duty cycle: 100 %  
 Type: Spool valve, positive overlapping  
 Min. ambient temperature: -10 °C  
 Max. ambient temperature: 50 °C  
 Max. working pressure: 8 bar



Switching principle	Operational voltage	Pilot	Power consumption DC [W]	Max. working pressure [bar]	Typ. switch-on time [ms]	Typ. switch-off time [ms]	Part No.
5/3, pressurized center	24 V DC	External	0.55	8	15	30	R572A2B5BMA00F1

Dimensions

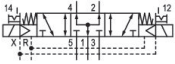


- 1) with detent
- 2) without detent
- 3) Ports: M7



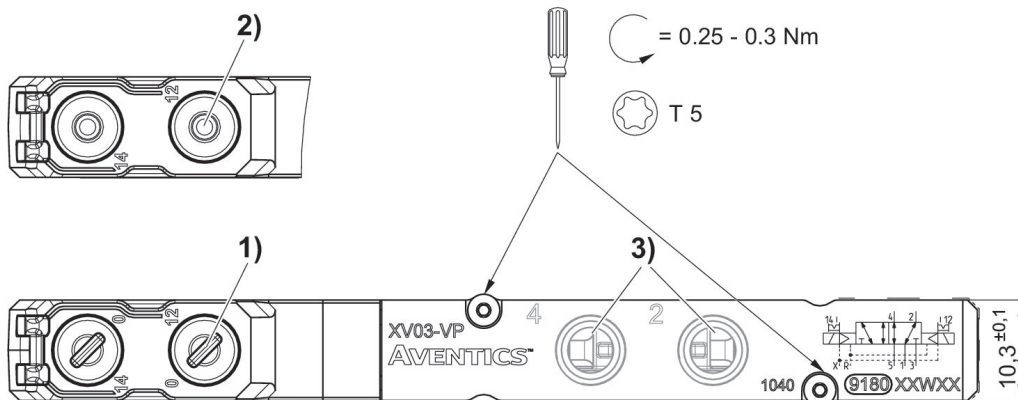
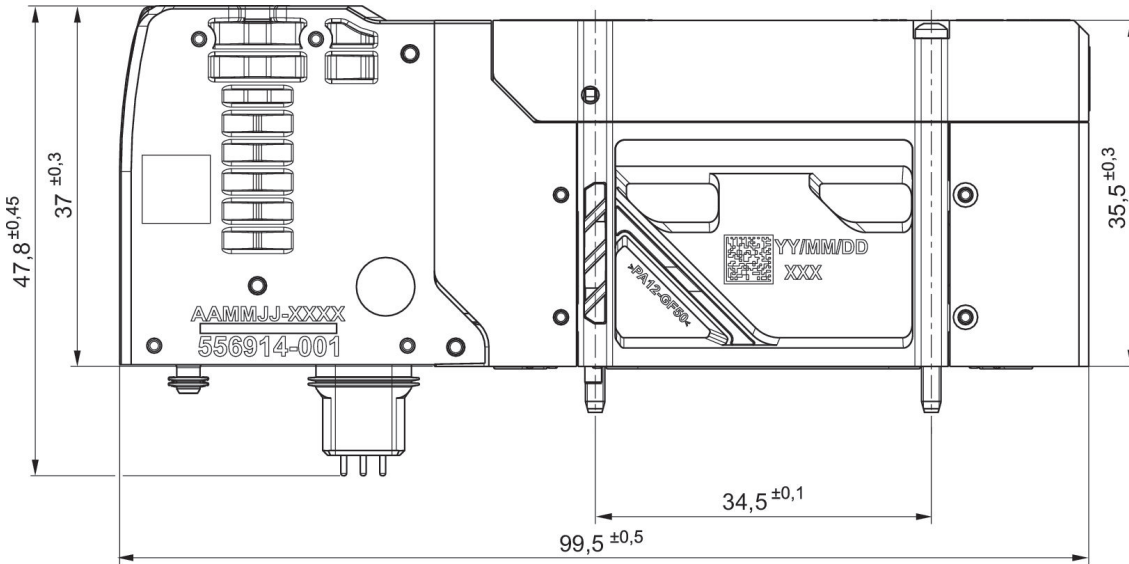
**5/3-directional valve, Series XV03, pressurized center, MO: with detent, Top connection**

Flow: 350 l/min  
 Activation: Electrically operated  
 Min. control pressure: 3 bar  
 Max. control pressure: 8 bar  
 Duty cycle: 100 %  
 Type: Spool valve, positive overlapping  
 Min. ambient temperature: -10 °C  
 Max. ambient temperature: 50 °C  
 Max. working pressure: 8 bar



Switching principle	Operational voltage	Pilot	Power consumption DC [W]	Max. working pressure [bar]	Typ. switch-on time [ms]	Typ. switch-off time [ms]	Part No.
5/3, pressurized center	24 V DC	External	0.55	8	15	30	R572A2C5BMA00F1

Dimensions



- 1) with detent
- 2) without detent
- 3) Ports: M7

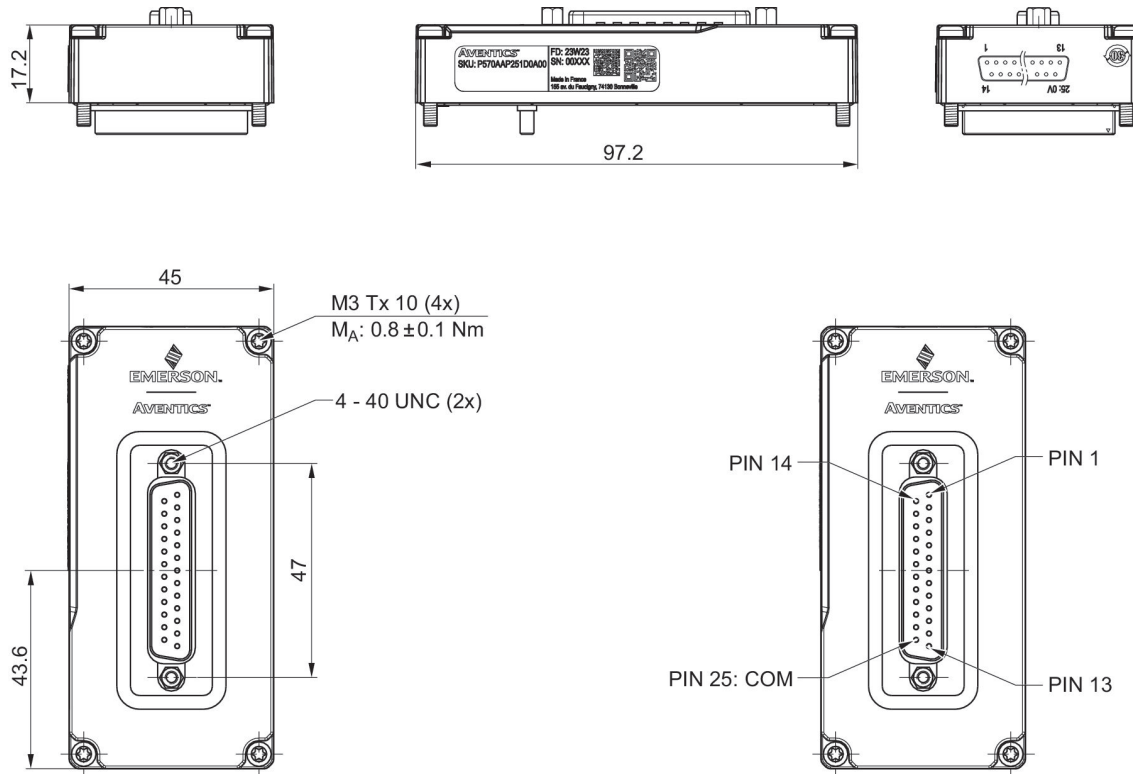
### Multipole connection, 25-pin, on top

Min. ambient temperature: -10 °C  
Max. ambient temperature: 50 °C



Max. number of solenoid coils	Weight [kg]	Part No.
24	0.06	P570AAP251D0A00

Dimensions



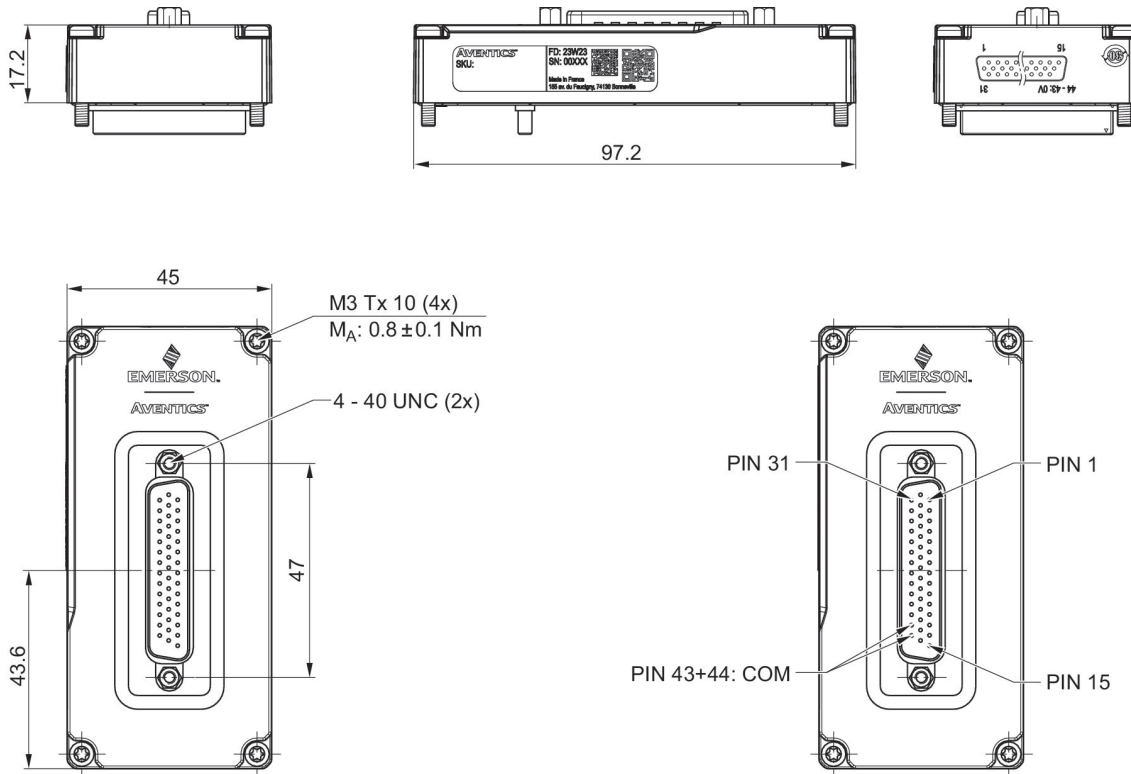
**Multipole connection, 44-pin, on top**

Min. ambient temperature: -10 °C  
Max. ambient temperature: 50 °C



Max. number of solenoid coils	Weight [kg]	Part No.
42	0.08	P570AAP441D0A00

Dimensions



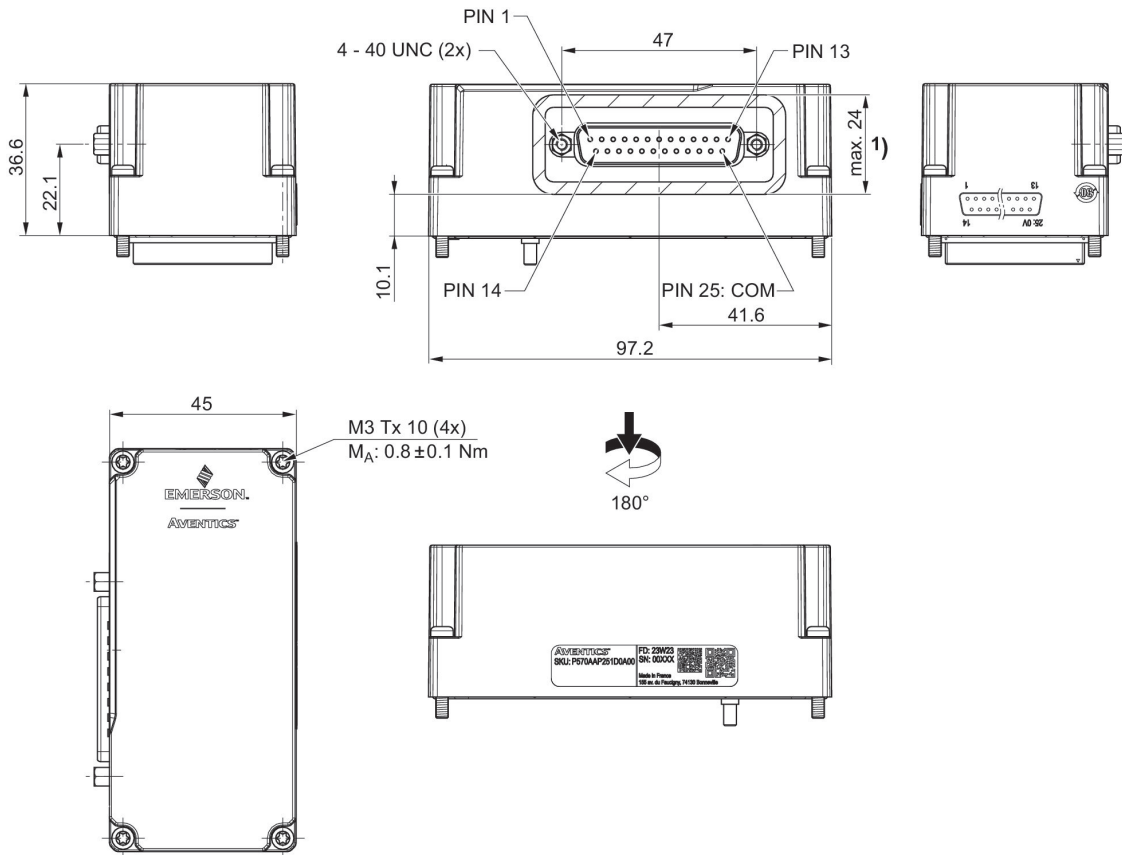
**Multipole connection, 25-pin, on the side**

Min. ambient temperature: -10 °C  
Max. ambient temperature: 50 °C



Max. number of solenoid coils	Weight [kg]	Part No.
24	0.08	P570AAP251E0A00

Dimensions



1) For D-Sub plug

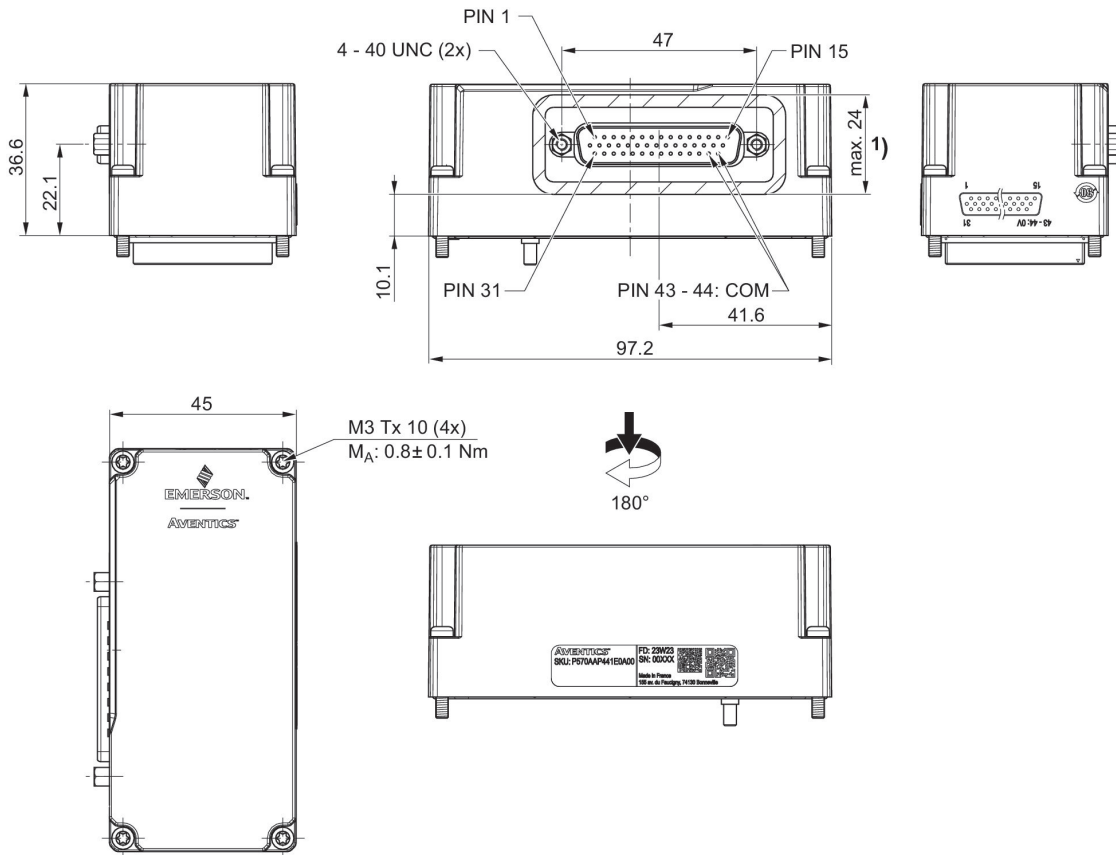
**Multipole connection, 44-pin, on the side**

Min. ambient temperature: -10 °C  
Max. ambient temperature: 60 °C



Max. number of solenoid coils	Weight [kg]	Part No.
42	0.08	P570AAP441E0A00

**Dimensions**



1) For D-Sub plug

### Multipole connection, terminal 27, on top

Certificates: RoHS

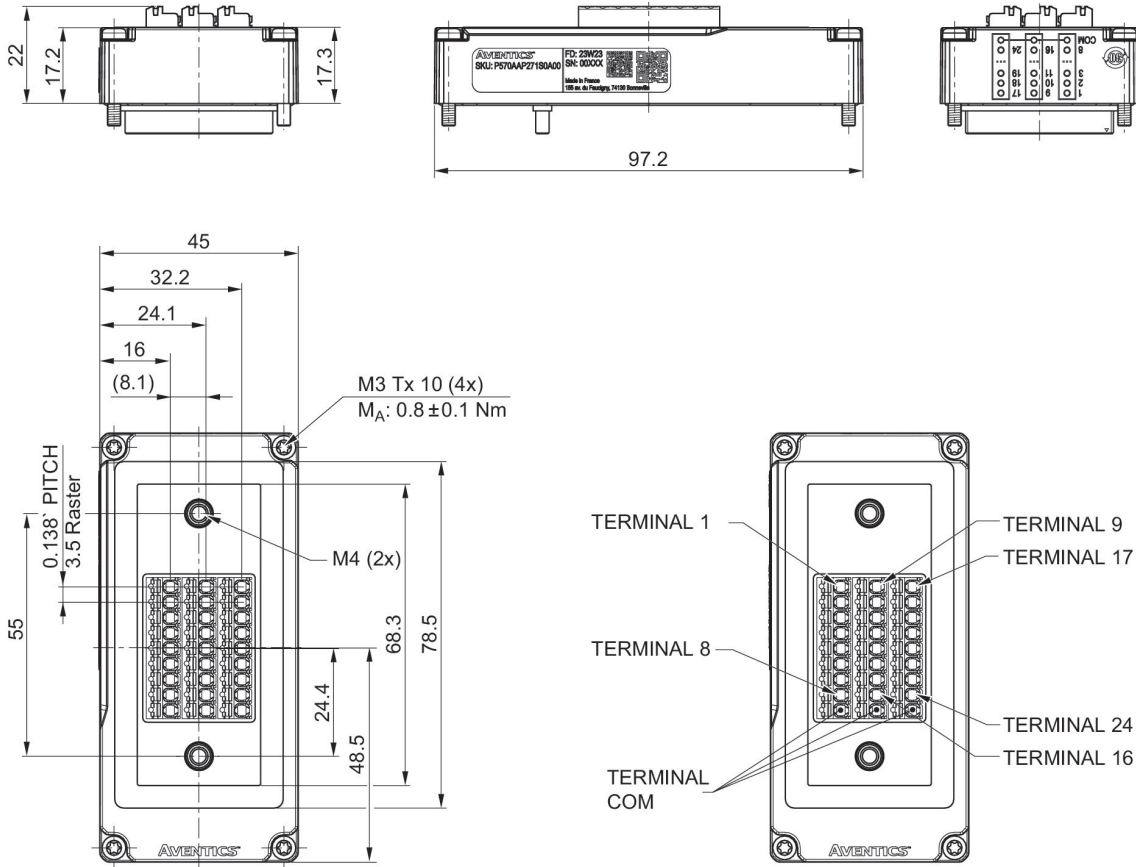
Min. ambient temperature: -10 °C

Max. ambient temperature: 50 °C



Max. number of solenoid coils	Weight [kg]	Part No.
24	0.06	P570AAP271S0A00

Dimensions



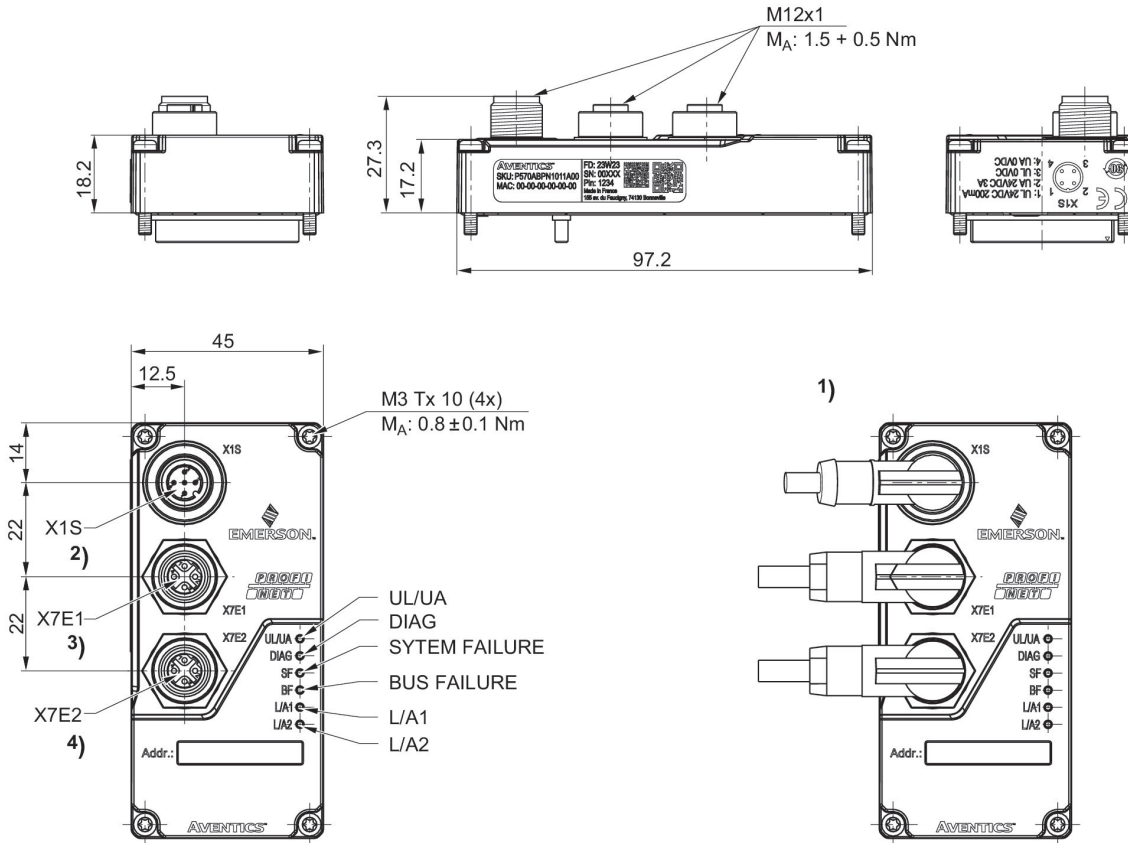
**Bus coupler, series XVES Profinet**

Min. ambient temperature: -10 °C  
Max. ambient temperature: 50 °C



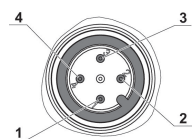
Fieldbus protocol	Power plug IN, Type	Power plug IN size, Thread size	Power plug IN, Number of poles	Number of I/O connections	Part No.
Profinet	Plug (male)	M12x1	4-pin	48 outputs	P570ABPN1011A00

Dimensions



- 1) Cable exit direction – angle plug
- 2) Power plug
- 3) Communication port 1
- 4) Communication port 2

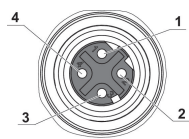
**P570ABPN1011A00**



X1S

Pin	
1	24 V DC (UL)
2	24 V DC (UA)
3	0 V DC (UL)
4	0 V DC (UA)

**P570ABPN1011A00**



IN / OUT

Pin	
1	TD+
2	RD+
3	TD-
4	RD-



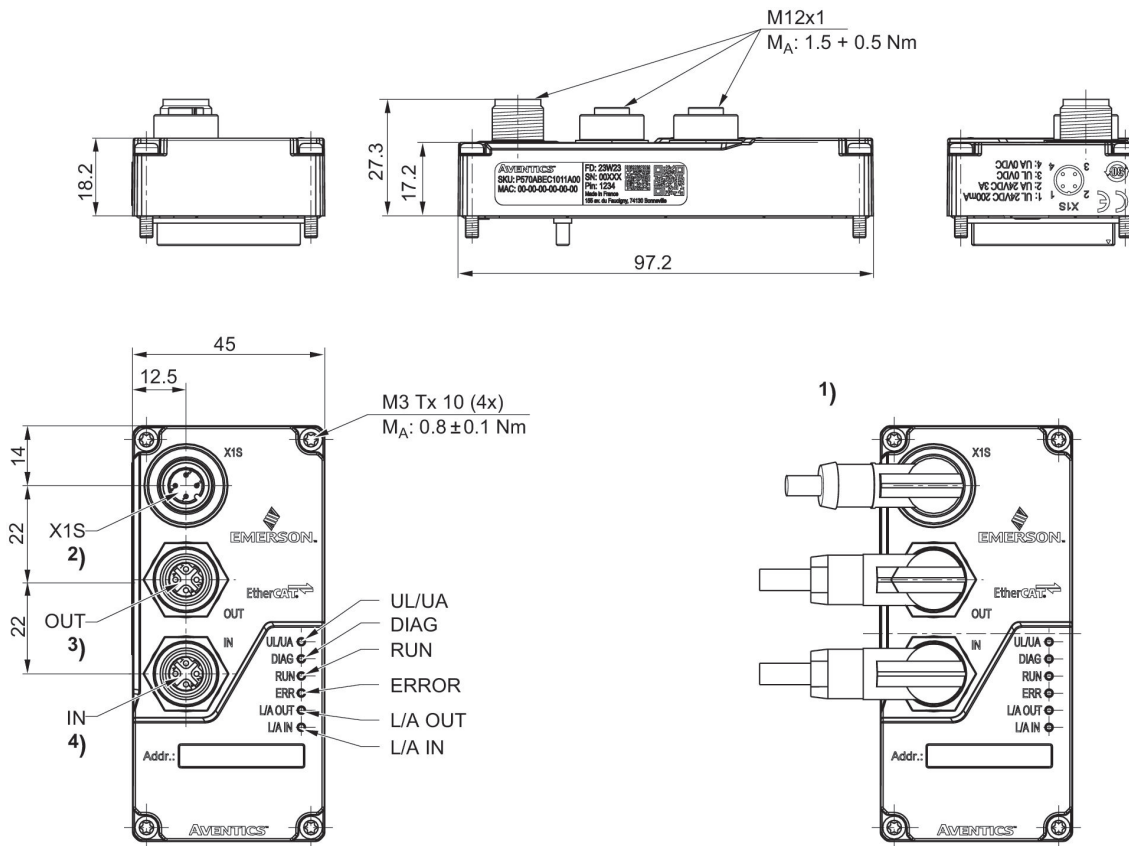
### Bus coupler, series XVES EtherCAT

Min. ambient temperature: -10 °C  
Max. ambient temperature: 50 °C



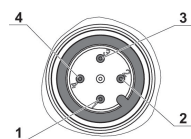
Fieldbus protocol	Power plug IN, Type	Power plug IN size, Thread size	Power plug IN, Number of poles	Number of I/O connections	Part No.
EtherCAT	Plug (male)	M12x1	4-pin	48 outputs	P570ABEC1011A00

Dimensions



- 1) Cable exit direction – angle plug
- 2) Power plug
- 3) Communication port 1
- 4) Communication port 2

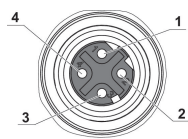
**P570ABEC1011A00**



X1S

Pin	
1	24 V DC (UL)
2	24 V DC (UA)
3	0 V DC (UL)
4	0 V DC (UA)

**P570ABEC1011A00**



IN / OUT

Pin	
1	TD+
2	RD+
3	TD-
4	RD-

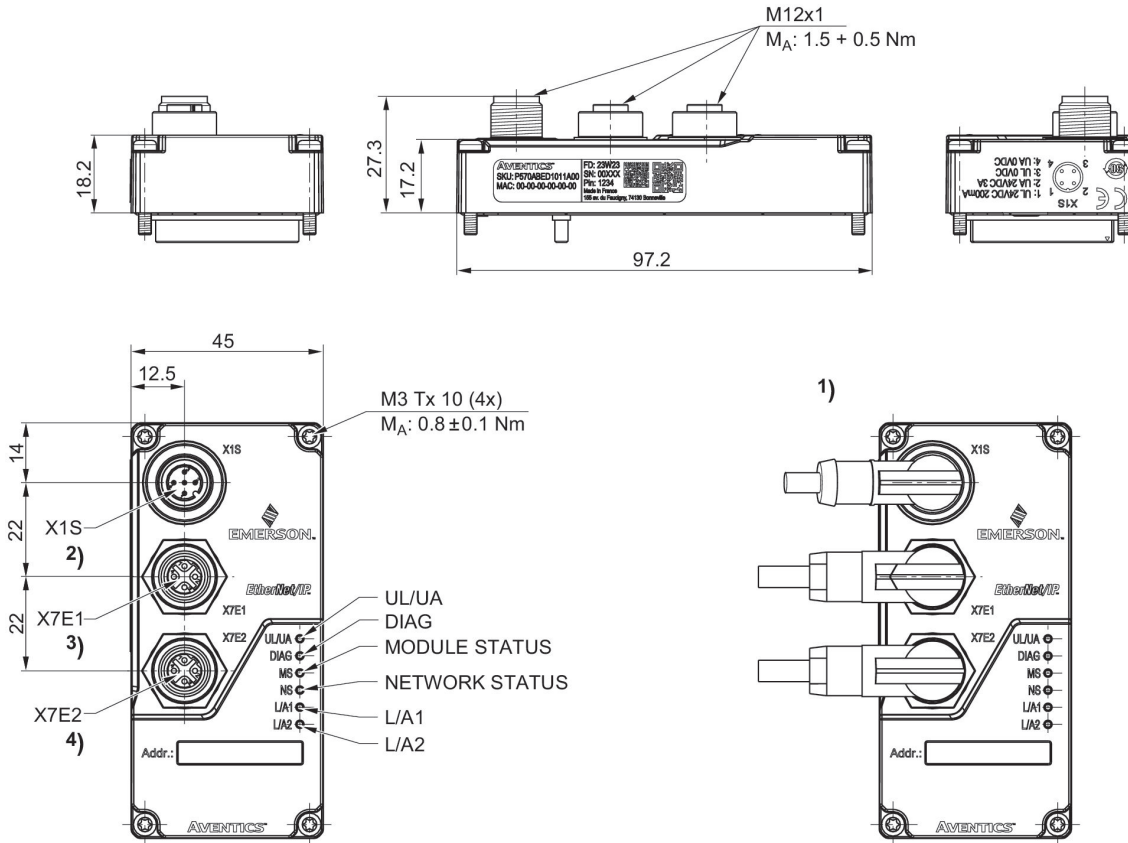
**Bus coupler, series XVES EtherNet/IP**

Min. ambient temperature: -10 °C  
Max. ambient temperature: 50 °C



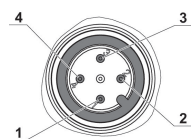
Fieldbus protocol	Power plug IN, Type	Power plug IN size, Thread size	Power plug IN, Number of poles	Number of I/O connections	Part No.
EtherNet/IP	Plug (male)	M12x1	4-pin	48 outputs	P570ABED1011A00

Dimensions



- 1) Cable exit direction – angle plug
- 2) Power plug
- 3) Communication port 1
- 4) Communication port 2

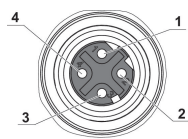
**P570ABED1011A00**



X1S

Pin	
1	24 V DC (UL)
2	24 V DC (UA)
3	0 V DC (UL)
4	0 V DC (UA)

**P570ABED1011A00**



IN / OUT

Pin	
1	TD+
2	RD+
3	TD-
4	RD-

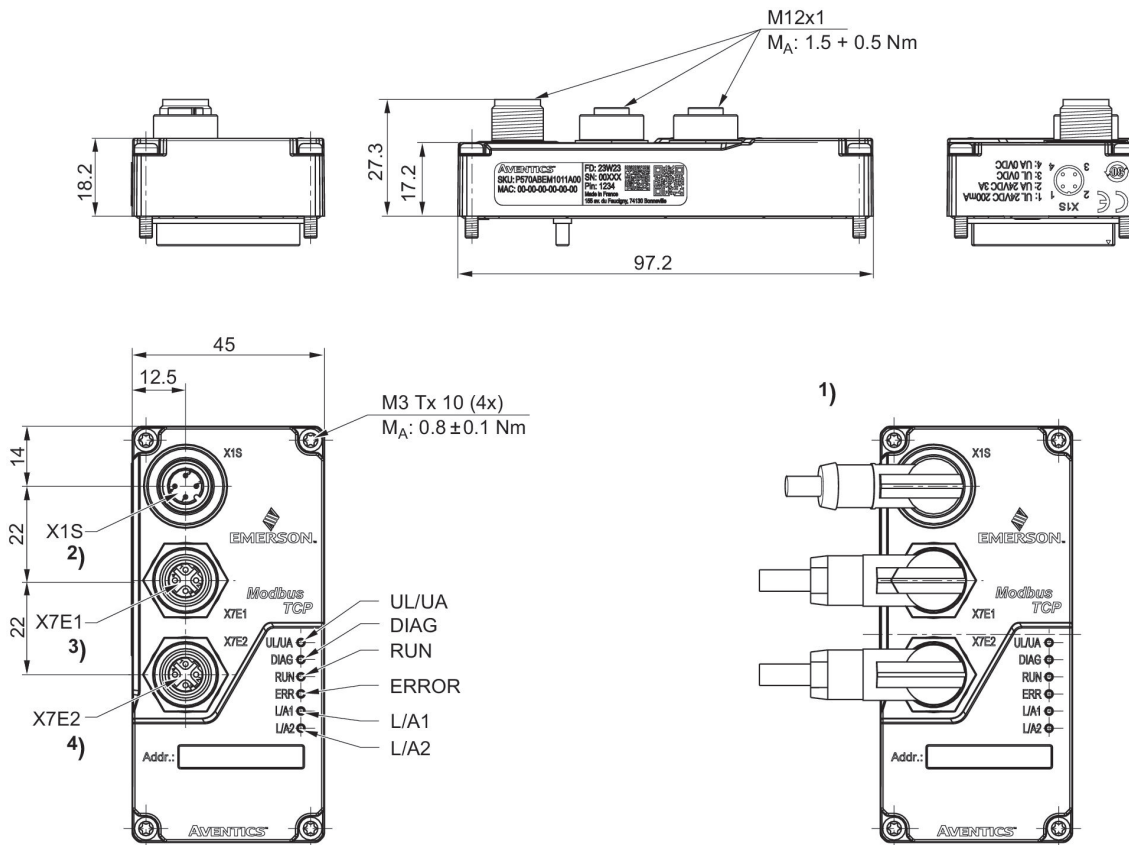
### Bus coupler, series XVES Modbus TCP

Min. ambient temperature: -10 °C  
Max. ambient temperature: 50 °C



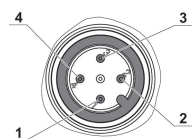
Fieldbus protocol	Power plug IN, Type	Power plug IN size, Thread size	Power plug IN, Number of poles	Number of I/O connections	Part No.
MODBUS TCP	Plug (male)	M12x1	4-pin	48 outputs	P570ABEM1011A00

Dimensions



- 1) Cable exit direction – angle plug
- 2) Power plug
- 3) Communication port 1
- 4) Communication port 2

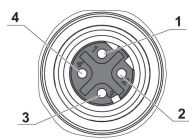
**P570ABEM1011A00**



X1S

Pin	
1	24 V DC (UL)
2	24 V DC (UA)
3	0 V DC (UL)
4	0 V DC (UA)

**P570ABEM1011A00**



IN / OUT

Pin	
1	TD+
2	RD+
3	TD-
4	RD-

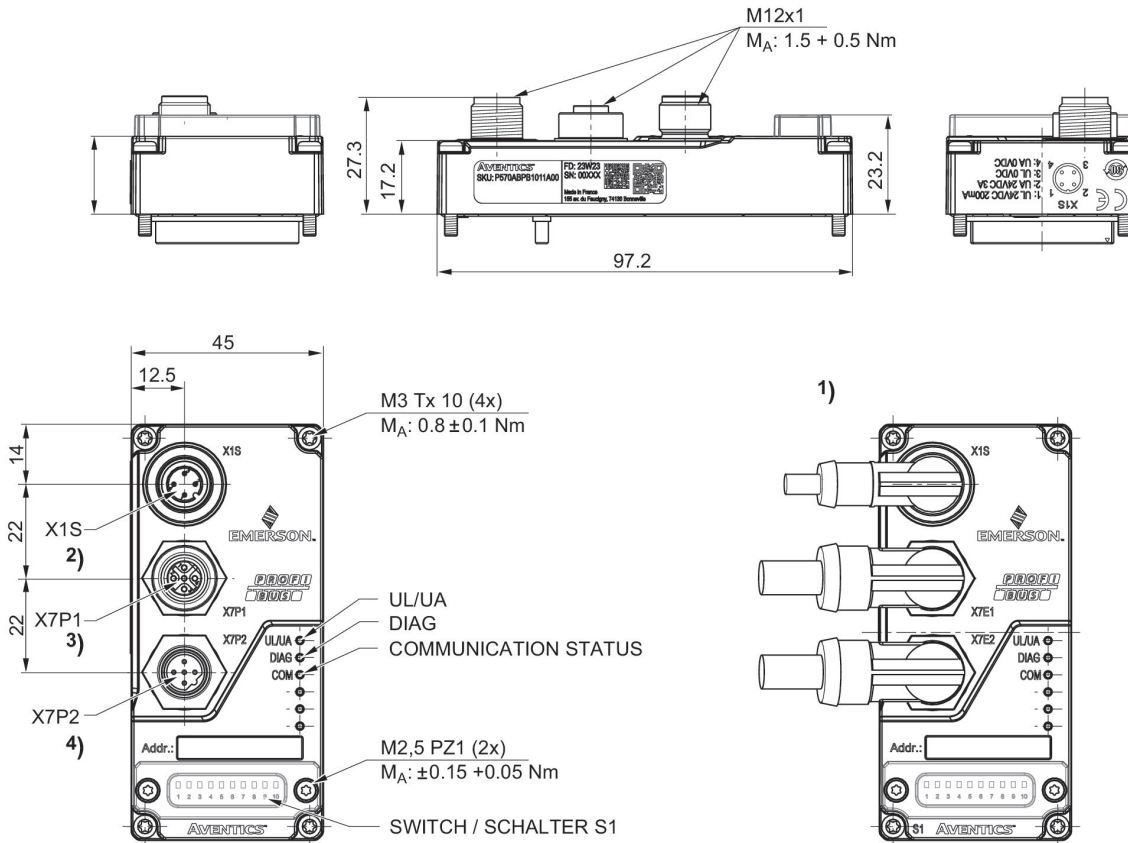
### Bus coupler, series XVES Profibus DP

Electrical connection 2, thread size: M12x1  
 Electrical connection 2, number of poles: 4-pin  
 Min. ambient temperature: -10 °C  
 Max. ambient temperature: 50 °C



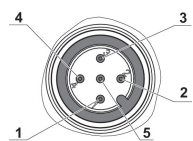
Fieldbus protocol	Power plug IN, Type	Power plug IN size, Thread size	Power plug IN, Number of poles	Number of I/O connections	Part No.
PROFIBUS DP	Plug	M12x1	4-pin	48 outputs	P570ABPB1011A00

Dimensions



- 1) Cable exit direction – angle plug
- 2) Power plug
- 3) Communication port 1
- 4) Communication port 2

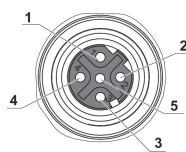
**P570ABPB1011A00**



X7P2

Pin	
1	-
2	A-data line
3	-
4	B-data line
5	FE

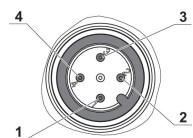
**P570ABPB1011A00**



X7P1

Pin	
1	5 V DC
2	A-data line
3	0 V DC
4	B-data line
5	FE

**P570ABPB1011A00**



X1S

Pin	
1	24 V DC (UL)
2	24 V DC (UA)
3	0 V DC (UL)
4	0 V DC (UA)



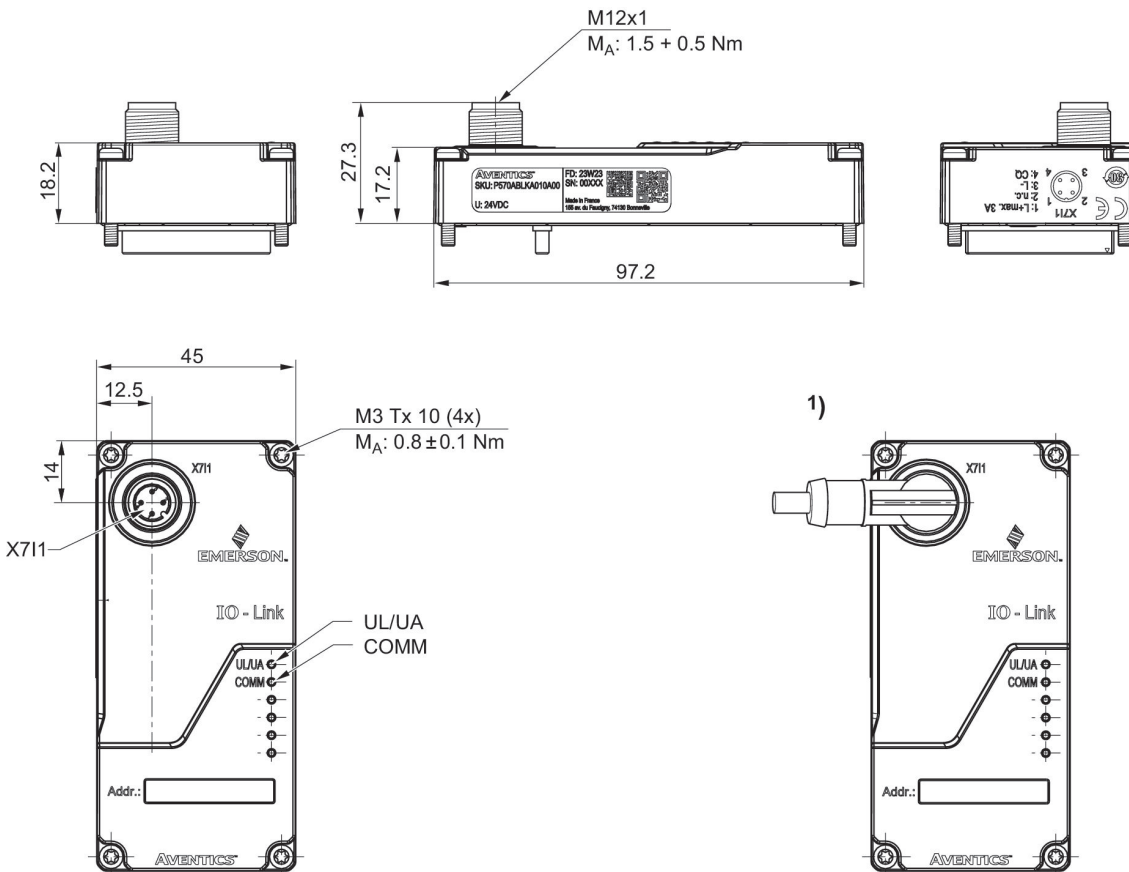
### Bus coupler, series XVES IO-Link

Electrical connection 2, thread size: M12x1  
 Electrical connection 2, number of poles: 4-pin  
 Min. ambient temperature: -10 °C  
 Max. ambient temperature: 50 °C



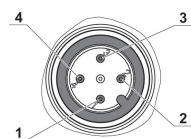
Fieldbus protocol	Power plug IN, Type	Power plug IN size, Thread size	Power plug IN, Number of poles	Number of I/O connections	Part No.
IO-Link	Plug	M12x1	4-pin	48 outputs	P570ABLKA010A00
IO-Link, type B	Plug	M12x1	5-pin	48 outputs	P570ABLKB010A00
IO-Link type AB	Plug	M12x1	4-pin	48 outputs	P570ABLM5010A00

Dimensions



1) Cable exit direction – angle plug

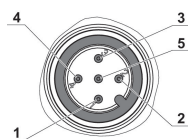
**P570ABLKA010A00**



X711

Pin	
1	L+
2	-
3	L-
4	CQ (IO link data)

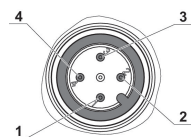
**P570ABLKB010A00**



X711

Pin	
1	L+ 24 V DC
2	2L+ 24 V DC
3	L-
4	CQ (IO link data)
5	2 L-

**P570ABLM5010A00**



X711

Pin	
1	L+ 24 V DC
2	UA + 24 V DC
3	L-
4	CQ (IO link data)

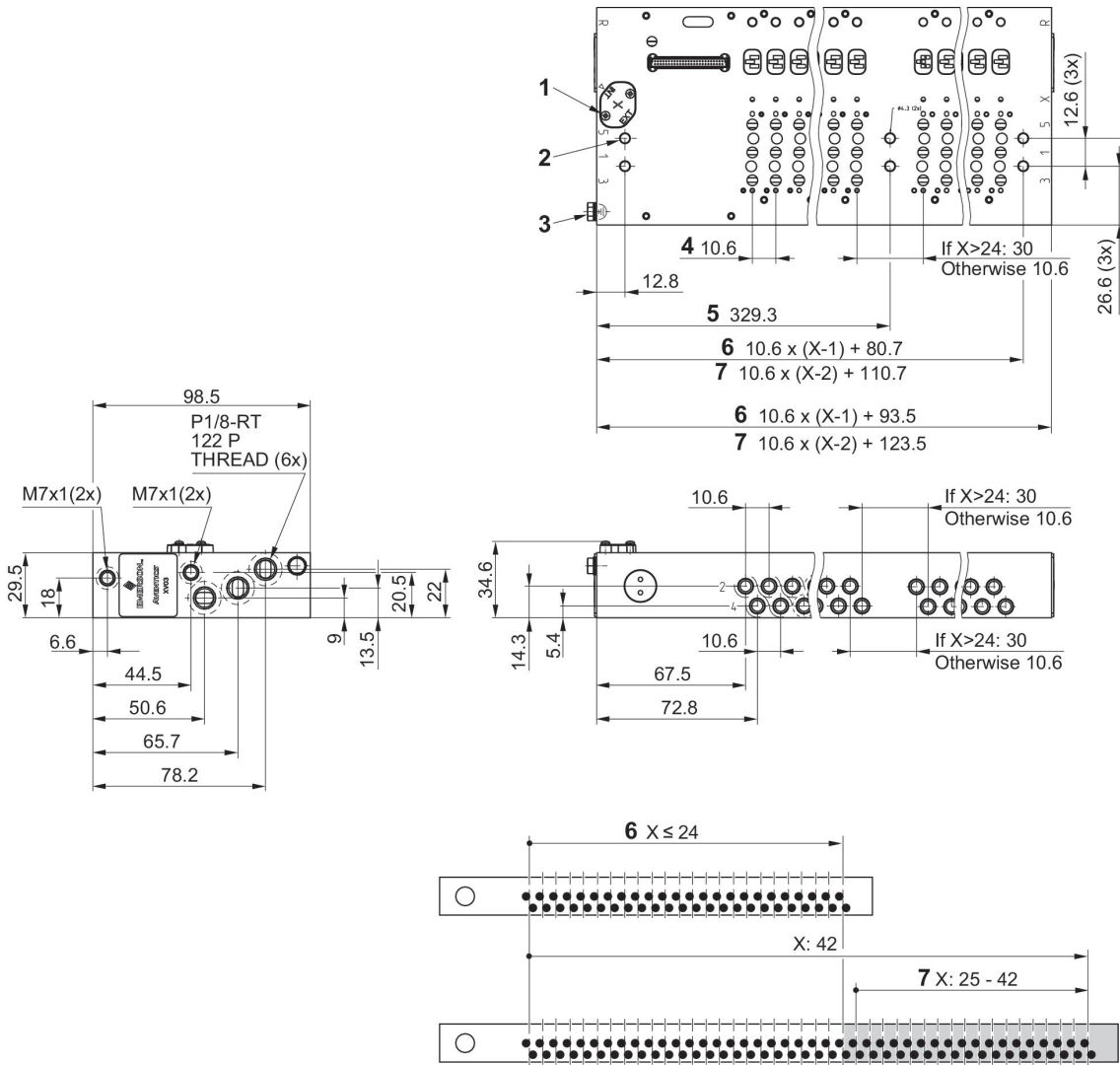
**Base plate, series XV03, working connections on the side**

Min. ambient temperature: -10 °C  
 Max. ambient temperature: 50 °C  
 Min. working pressure: -0.95 bar  
 Max. working pressure: 8 bar



Plate type	Max. number of valve positions	Part No.
Base plate	42	A572A00000012xx

Dimensions in mm



- 1) Mounting screw for the control plate
  - 2) Mounting hole  $\varnothing$  4.3 (4x)
  - 3) PE = Ground
  - 4) Station pitch
  - 5) Additional mounting holes for 25 stations or more
  - 6) For base plates with up to 24 valves
  - 7) For base plates with more than 25 valves
- X = number of valve positions

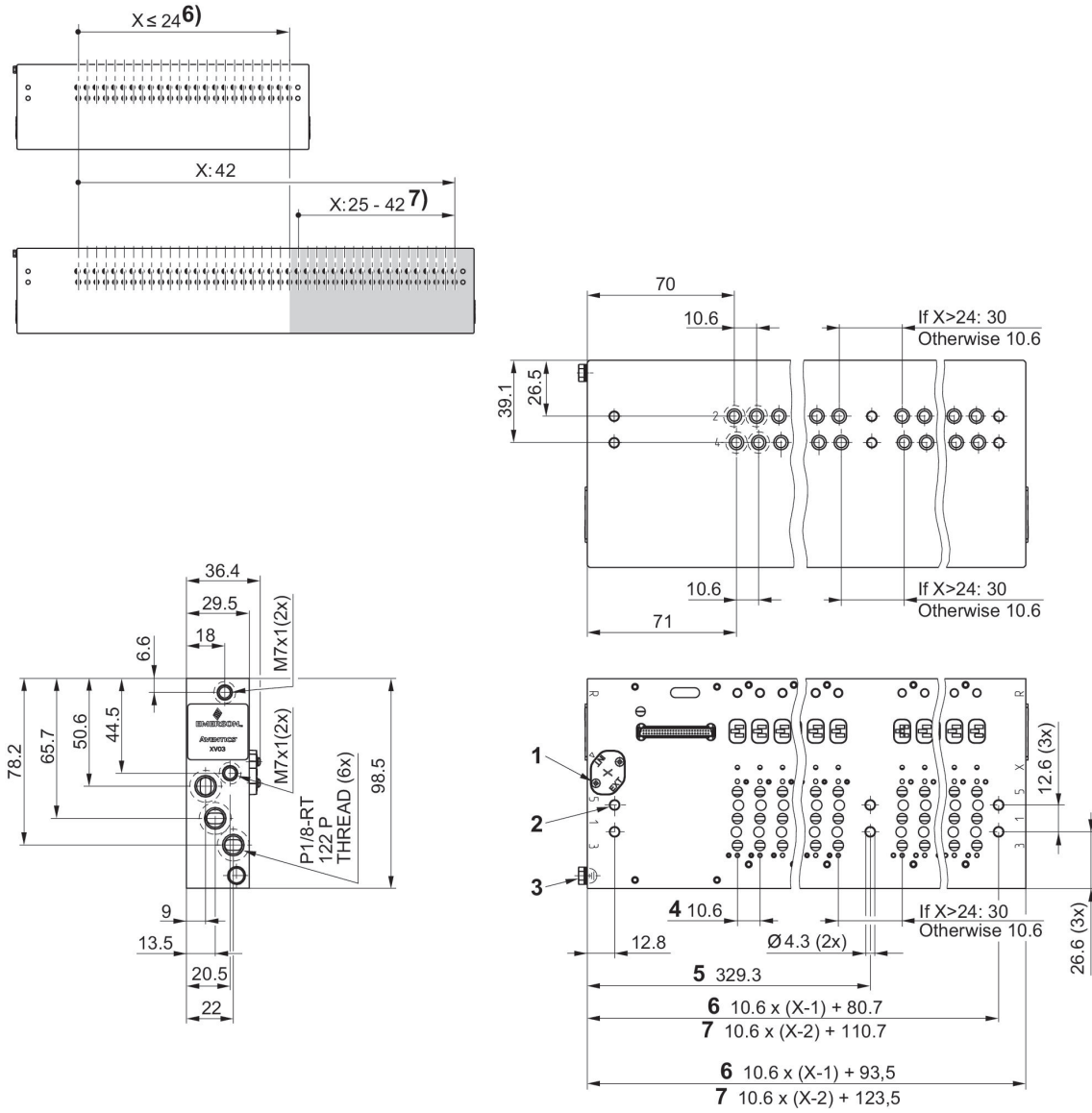
**Base plate, series XV03, working connections on bottom**

Min. ambient temperature: -10 °C  
 Max. ambient temperature: 50 °C  
 Min. working pressure: -0.95 bar  
 Max. working pressure: 8 bar



Plate type	Max. number of valve positions	Part No.
Base plate	42	A572A00000017xx

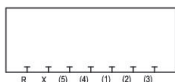
Dimensions



- 1) Mounting screw for the control plate
  - 2) Mounting hole  $\varnothing 4.3$  (4x)
  - 3) PE = Ground
  - 4) Station pitch
  - 5) Additional mounting holes for 25 stations or more
  - 6) For base plates with up to 24 valves
  - 7) For base plates with more than 25 valves
- X = number of valve positions

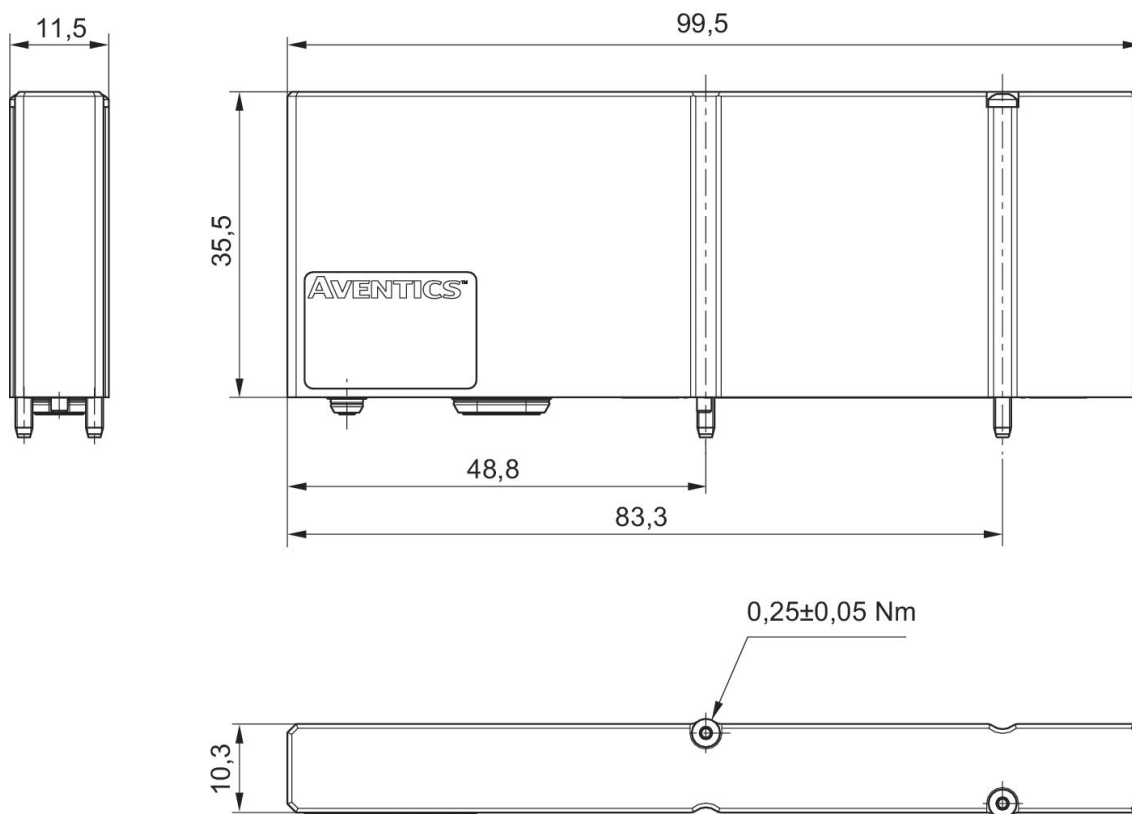
### Blank plate, series XV03

Min. ambient temperature: -10 °C  
 Max. ambient temperature: 50 °C  
 Min. working pressure: -0.95 bar  
 Max. working pressure: 10 bar



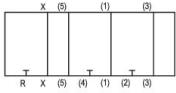
Type	Plate type	Scope of delivery	Max. number of valve positions	Part No.
Blanking plate	Blanking plate	Blank plate, sealing kit, mounting screws	1	R572AB555872001

Dimensions



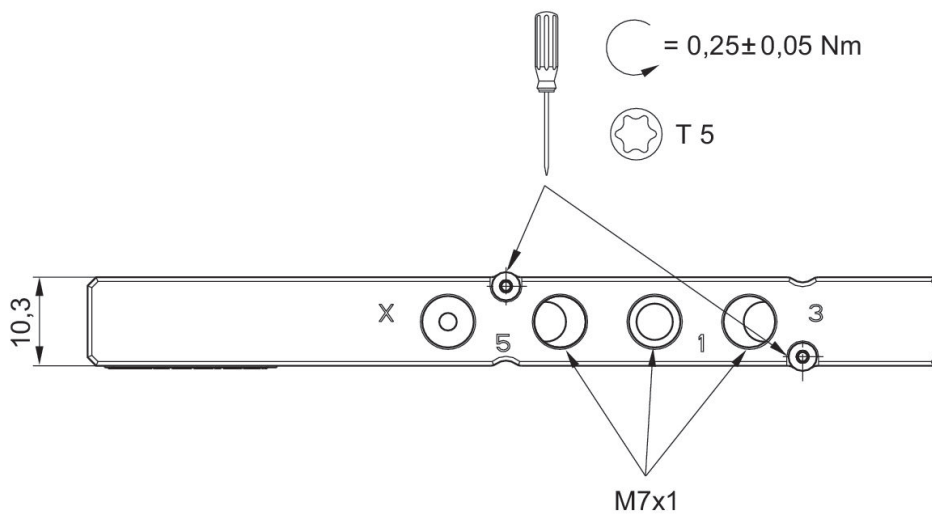
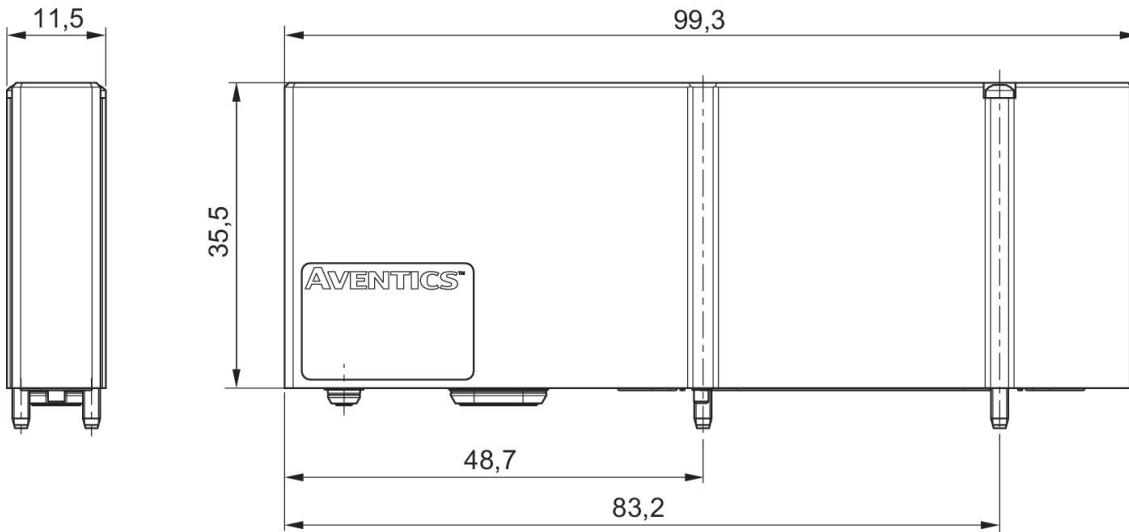
Supply plate, series XV03

Min. ambient temperature: -10 °C  
 Max. ambient temperature: 50 °C  
 Min. working pressure: -0.95 bar  
 Max. working pressure: 8 bar



Thread connection	Max. number of valve positions	Part No.
T5	1	H572AZ562822001

Dimensions





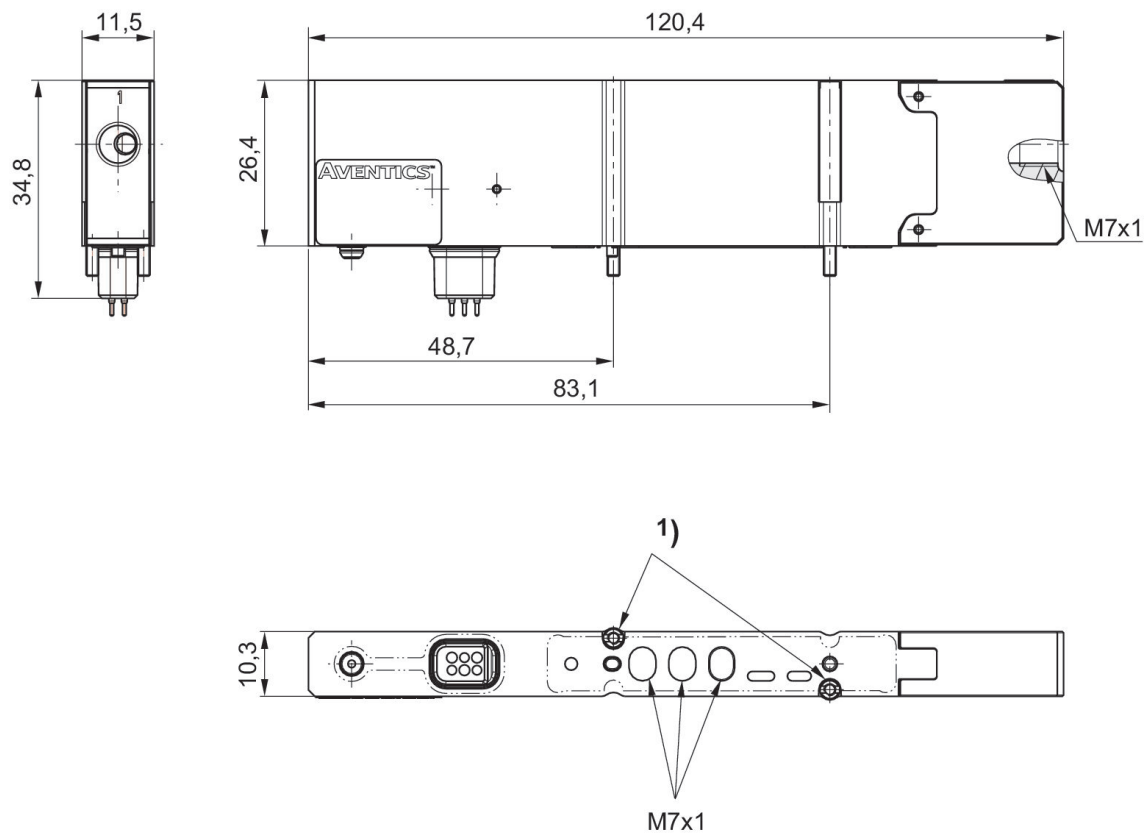
### Air supply sandwich plate, series XV03

Min. ambient temperature: -10 °C  
 Max. ambient temperature: 50 °C  
 Min. working pressure: -0.95 bar  
 Max. working pressure: 10 bar



Scope of delivery	Max. number of valve positions	Part No.
Sandwich plate, sealing kit, mounting screws	1	H572AW555464001

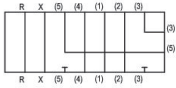
Dimensions



1) Tightening torque: 0,2 Nm ±0,02

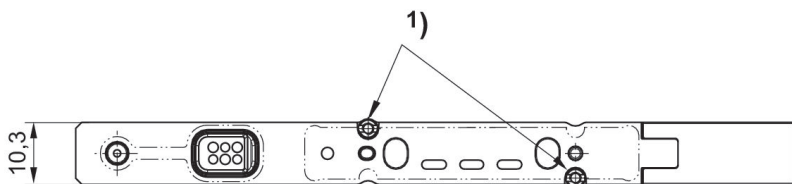
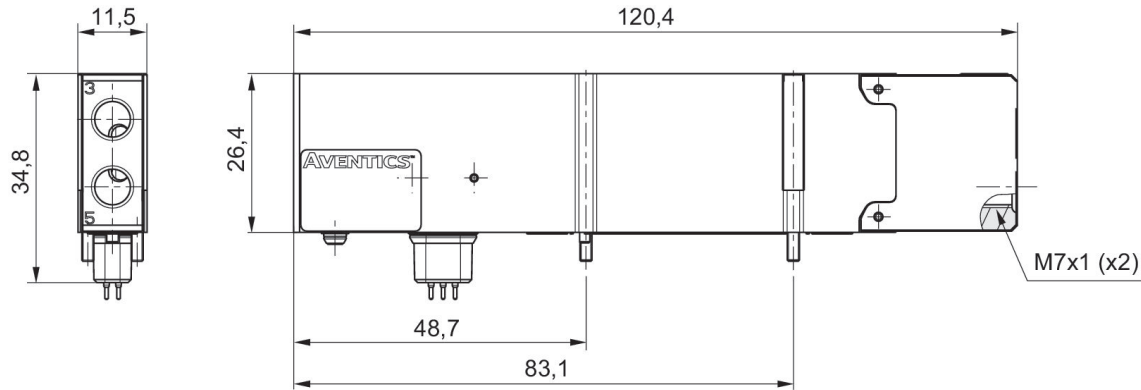
### Exhaust sandwich plate, series XV03

Min. ambient temperature: -10 °C  
 Max. ambient temperature: 50 °C  
 Min. working pressure: -0.95 bar  
 Max. working pressure: 10 bar



Scope of delivery	Max. number of valve positions	Part No.
Sandwich plate, sealing kit, mounting screws	1	H572AX555465001

Dimensions



1) Tightening torque: 0,2 Nm ±0,02

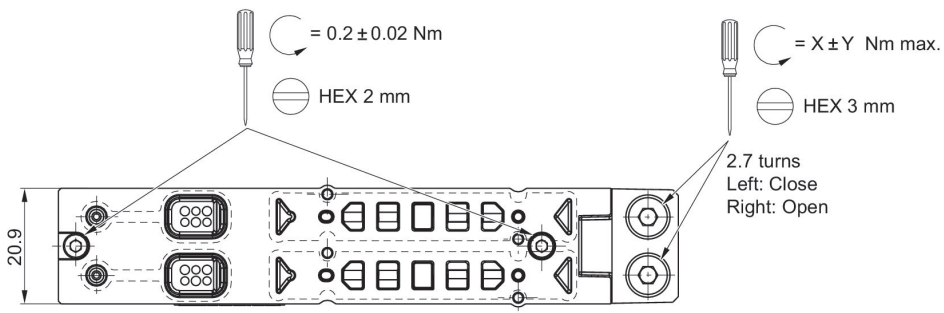
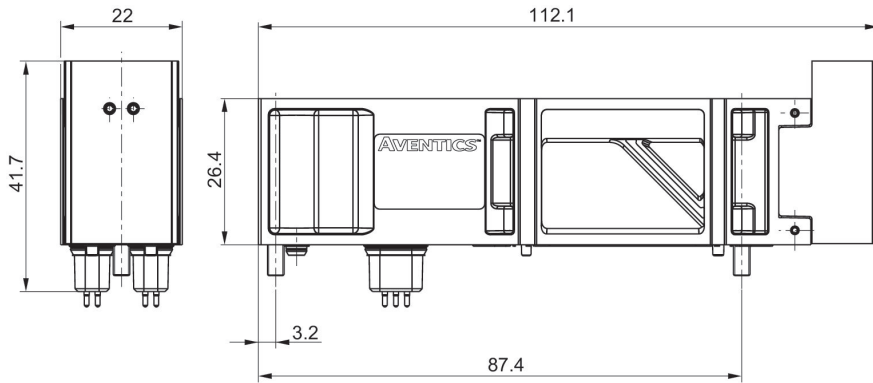
### Shut-off module, Series XV03

Activation: Mechanical  
 Min. ambient temperature: -10 °C  
 Max. ambient temperature: 50 °C  
 Min. working pressure: -0.95 bar  
 Max. working pressure: 8 bar



Housing material	Part No.
Aluminum, anodized	R572AY555660001

Dimensions



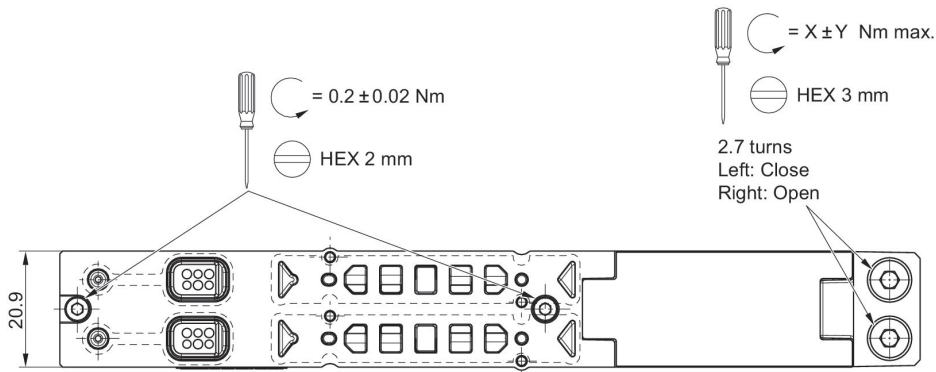
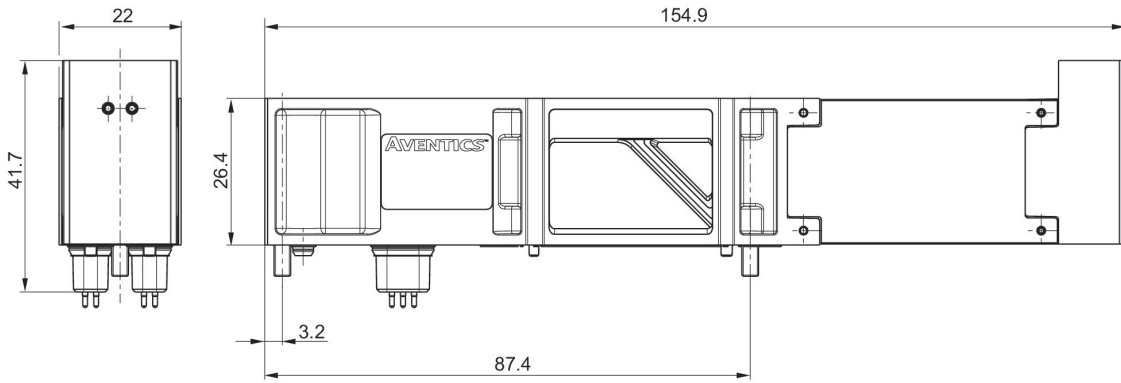
### Shut-off module, series XV03, extended

Activation: Mechanical  
 Min. ambient temperature: -10 °C  
 Max. ambient temperature: 50 °C  
 Min. working pressure: -0.95 bar  
 Max. working pressure: 8 bar



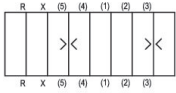
Housing material	Part No.
Aluminum, anodized	R572AY555661001

Dimensions



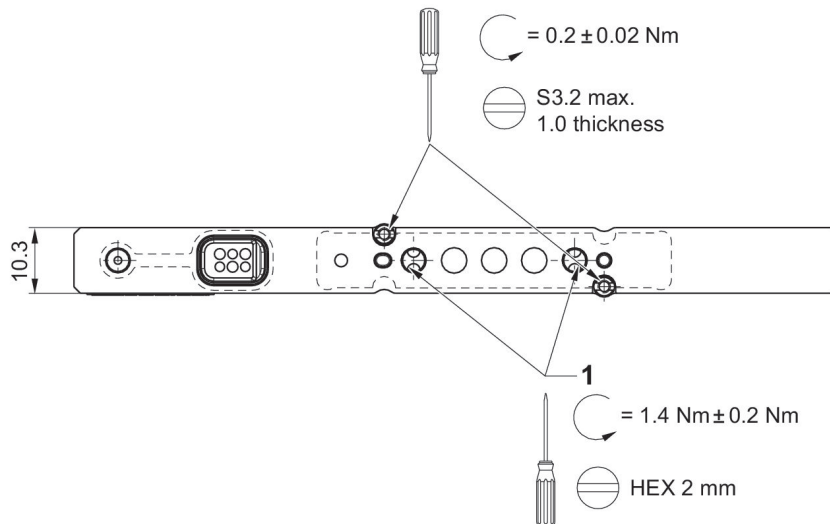
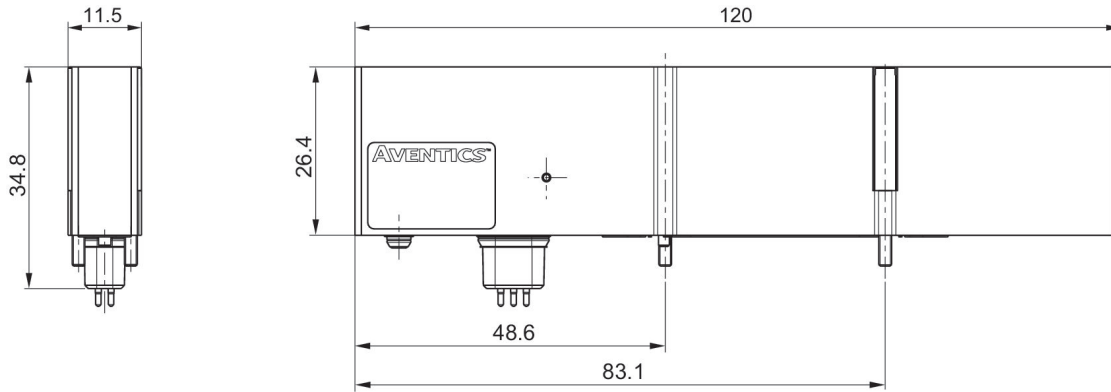
### Throttle sandwich plate, series XV03

Min. ambient temperature: -10 °C  
 Max. ambient temperature: 50 °C  
 Min. working pressure: -0.95 bar  
 Max. working pressure: 8 bar



Max. number of valve positions	Part No.
1	R572AS555951001

Dimensions



1) Blanking plugs are available separately.

## Orifice plugs

Part No.	Diameter	Delivery quantity	Weight [g]
P572AU556022111	all	2	
P572AU556022110	Ø 2±0.03	10	0.2
P572AU556022109	Ø 1.8±0.03	10	0.21
P572AU556022108	Ø 1.6±0.03	10	0.22
P572AU556022107	Ø 1.4±0.03	10	0.23
P572AU556022106	Ø 1.2±0.03	10	0.23
P572AU556022105	Ø 1.05±0.03	10	0.23
P572AU556022104	Ø 0.85±0.03	10	0.24
P572AU556022103	Ø 0.7±0.03	10	0.24
P572AU556022102	Ø 0.6±0.03	10	0.24
P572AU556022101	Ø 0.5±0.03	10	0.25

To be used for ports 3 and 5 of sandwich throttle valve XV03 (R572AS555951001).

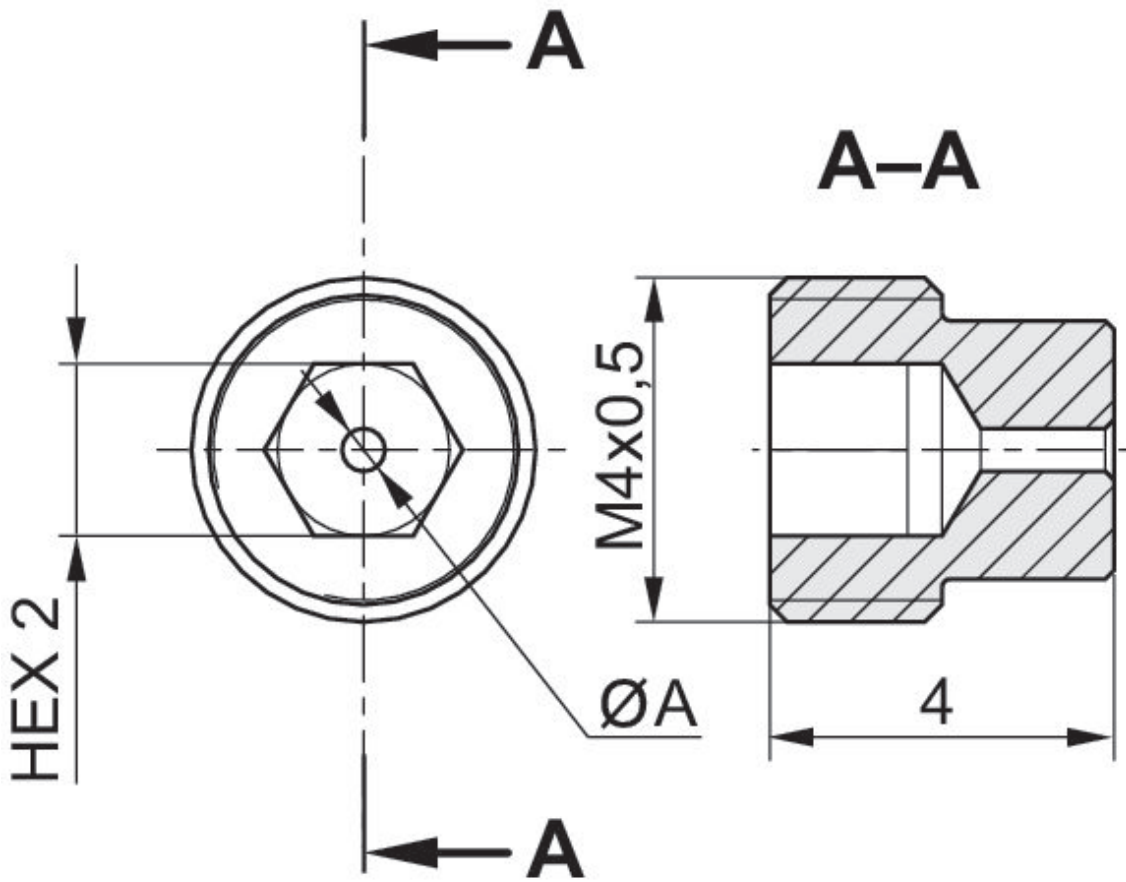
## Orifice plugs

For series: XV03



Type	Delivery unit [piece]	Weight [kg]	Part No.
Orifice plugs	2		P572AU556022111
Orifice plugs	10	0.02	P572AU556022110
Orifice plugs	10	0.021	P572AU556022109
Orifice plugs	10	0.022	P572AU556022108
Orifice plugs	10	0.023	P572AU556022107
Orifice plugs	10	0.023	P572AU556022106
Orifice plugs	10	0.023	P572AU556022105
Orifice plugs	10	0.024	P572AU556022104
Orifice plugs	10	0.024	P572AU556022103
Orifice plugs	10	0.024	P572AU556022102
Orifice plugs	10	0.025	P572AU556022101

Dimensions





### Straight fitting, M7x1

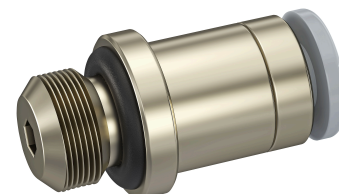
Certificates: RoHS

Min. ambient temperature: -10 °C

Max. ambient temperature: 60 °C

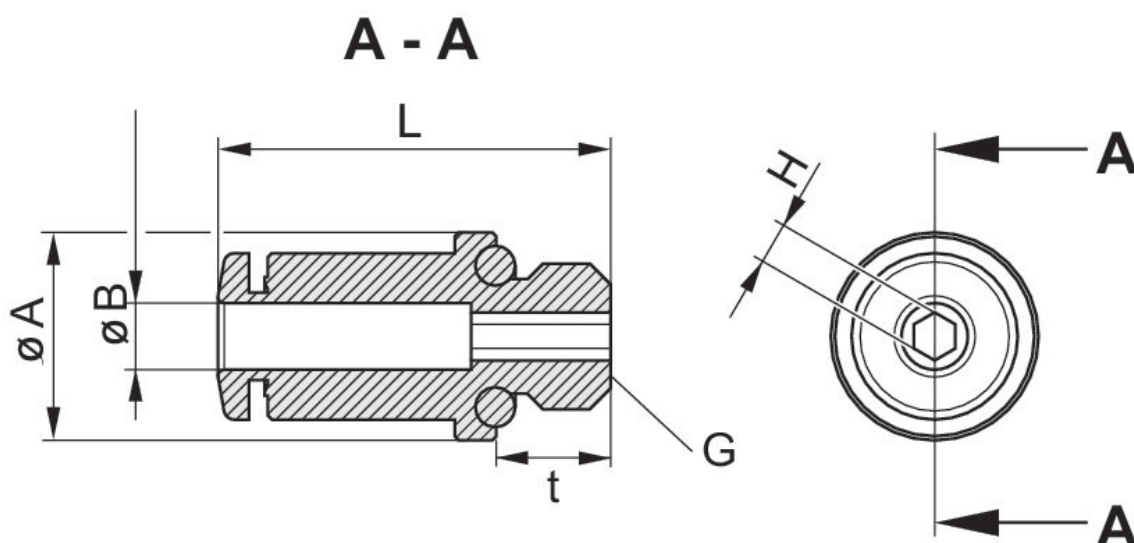
Min. working pressure: 0.95 bar

Max. working pressure: 10 bar



G	Delivery unit [piece]	Material	Part No.
M7x1	2	Brass, nickel-plated	K599AU571903732
M7x1	5	Brass, nickel-plated	K599AU571903735
M7x1	10	Brass, nickel-plated	K599AU571903730
M7x1	2	Brass, nickel-plated	K599AU571903712
M7x1	5	Brass, nickel-plated	K599AU571903715
M7x1	10	Brass, nickel-plated	K599AU571903710
M7x1	2	Brass, nickel-plated	K599AU571903742
M7x1	5	Brass, nickel-plated	K599AU571903745
M7x1	10	Brass, nickel-plated	K599AU571903740
M7x1	2	Brass, nickel-plated	K599AU571903762
M7x1	5	Brass, nickel-plated	K599AU571903765
M7x1	10	Brass, nickel-plated	K599AU571903760
M7x1	2	Brass, nickel-plated	K599AU571903722
M7x1	5	Brass, nickel-plated	K599AU571903725
M7x1	10	Brass, nickel-plated	K599AU571903720

Dimensions



Part No.	Port G t=depth of thread	A	B	L	H	Delivery quantity	Recommend- ed tighten- ing torque
K599AU571903732	M7x1 t=5,5	10	3	18,9	2	2	3,5 ± 0,5 Nm
K599AU571903735	M7x1 t=5,5	10	3	18,9	2	5	3,5 ± 0,5 Nm
K599AU571903730	M7x1 t=5,5	10	3	18,9	2	10	3,5 ± 0,5 Nm
K599AU571903712	M7x1 t=5,5	10	1/8"	18,9	2	2	3,5 ± 0,5 Nm
K599AU571903715	M7x1 t=5,5	10	1/8"	18,9	2	5	3,5 ± 0,5 Nm
K599AU571903710	M7x1 t=5,5	10	1/8"	18,9	2	10	3,5 ± 0,5 Nm
K599AU571903742	M7x1 t=5,5	10	4 mm+5/32"	20,55	3	2	3,5 ± 0,5 Nm
K599AU571903745	M7x1 t=5,5	10	4 mm+5/32"	20,55	3	5	3,5 ± 0,5 Nm
K599AU571903740	M7x1 t=5,5	10	4 mm+5/32"	20,55	3	10	3,5 ± 0,5 Nm
K599AU571903762	M7x1 t=5,5	10	6	20,5	4	2	3,5 ± 0,5 Nm
K599AU571903765	M7x1 t=5,5	10	6	20,5	4	5	3,5 ± 0,5 Nm
K599AU571903760	M7x1 t=5,5	10	6	20,5	4	10	3,5 ± 0,5 Nm
K599AU571903722	M7x1 t=5,5	10	1/4"	20,5	4	2	3,5 ± 0,5 Nm
K599AU571903725	M7x1 t=5,5	10	1/4"	20,5	4	5	3,5 ± 0,5 Nm
K599AU571903720	M7x1 t=5,5	10	1/4"	20,5	4	10	3,5 ± 0,5 Nm

### Straight fitting, M7x1, Screw

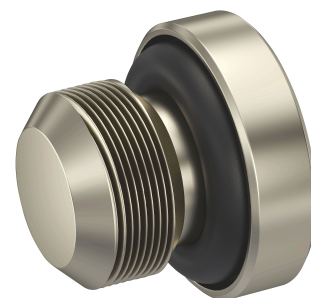
Certificates: RoHS

Min. ambient temperature: -10 °C

Max. ambient temperature: 60 °C

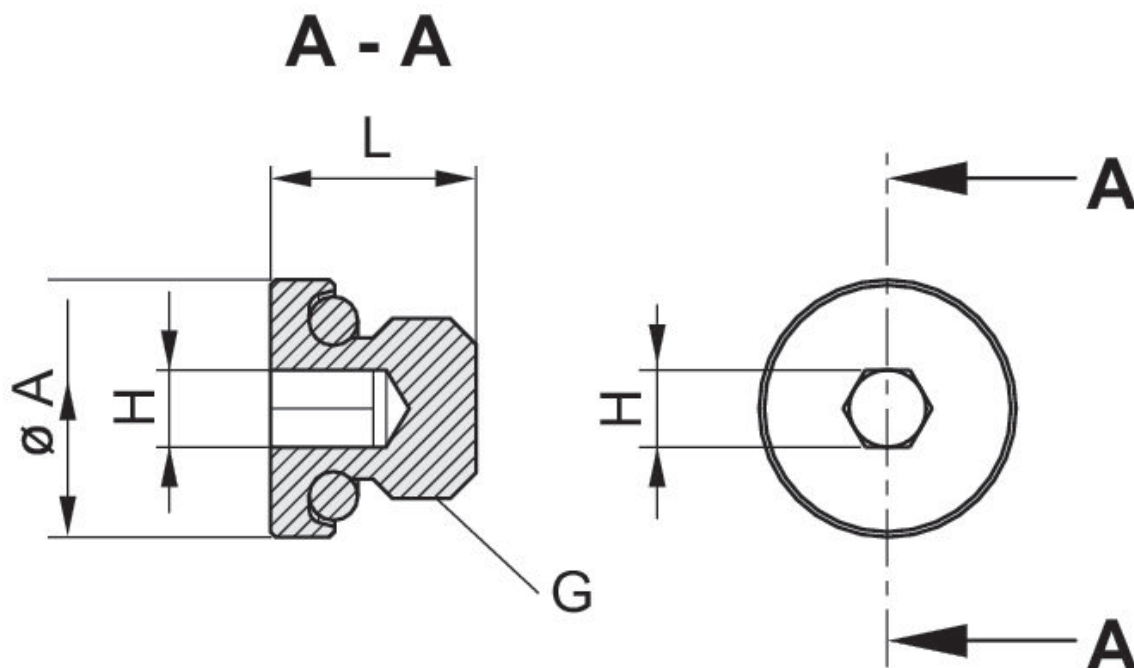
Min. working pressure: 0.95 bar

Max. working pressure: 10 bar



G	Delivery unit [piece]	Material	Part No.
M7x1	2	Brass, nickel-plated	K599AU571903792
M7x1	5	Brass, nickel-plated	K599AU571903795
M7x1	10	Brass, nickel-plated	K599AU571903790

#### Dimensions



Part No.	Port G	A	L	H	Delivery quantity	Recommended tightening torque
K599AU571903792	M7x1	10	8	3	2	3,5 ± 0,5 Nm
K599AU571903795	M7x1	10	8	3	5	3,5 ± 0,5 Nm
K599AU571903790	M7x1	10	8	3	10	3,5 ± 0,5 Nm

### Straight fitting, 1/8" BSP

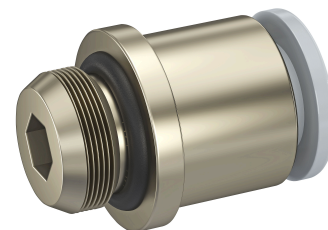
Certificates: RoHS

Min. ambient temperature: -10 °C

Max. ambient temperature: 60 °C

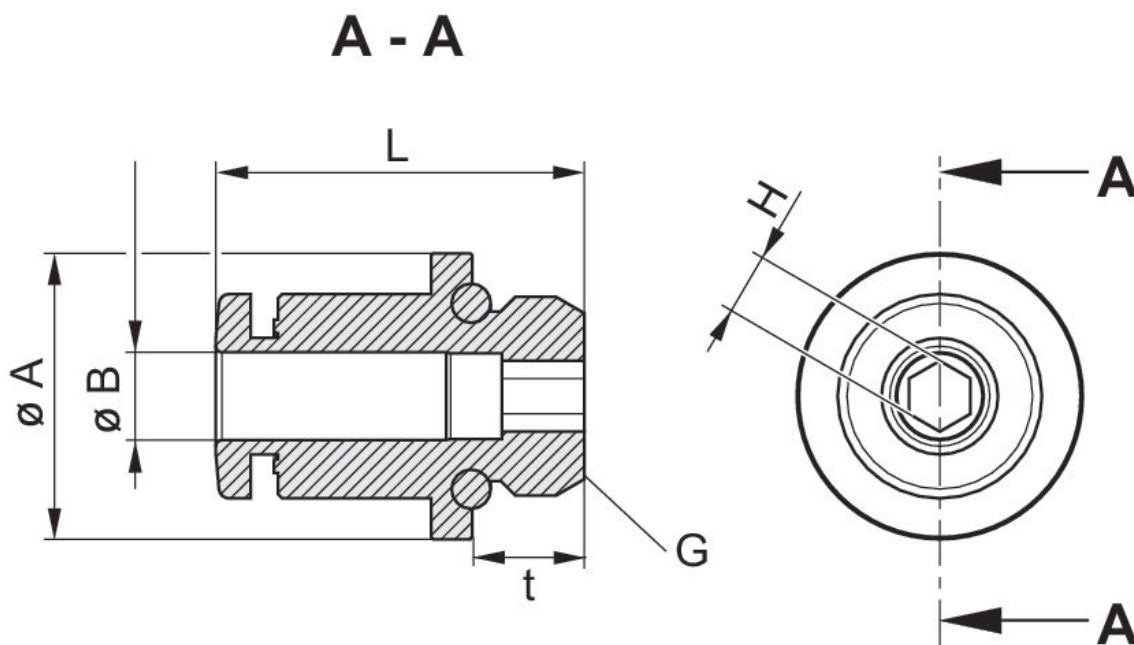
Min. working pressure: 0.95 bar

Max. working pressure: 10 bar



G	Delivery unit [piece]	Material	Part No.
1/8" BSP	2	Brass, nickel-plated	K599AU571903142
1/8" BSP	5	Brass, nickel-plated	K599AU571903145
1/8" BSP	10	Brass, nickel-plated	K599AU571903140
1/8" BSP	2	Brass, nickel-plated	K599AU571903162
1/8" BSP	5	Brass, nickel-plated	K599AU571903165
1/8" BSP	10	Brass, nickel-plated	K599AU571903160
1/8" BSP	2	Brass, nickel-plated	K599AU571903182
1/8" BSP	5	Brass, nickel-plated	K599AU571903185
1/8" BSP	10	Brass, nickel-plated	K599AU571903180

Dimensions



Part No.	Port G t=depth of thread	A	B	L	H	Delivery quantity	Recommend- ed tighten- ing torque
K599AU571903142	1/8" BSP t=5,5	14	4-5/32"	18,05	3	2	6,0 ± 1,2 Nm
K599AU571903145	1/8" BSP t=5,5	14	4-5/32"	18,05	3	5	6,0 ± 1,2 Nm
K599AU571903140	1/8" BSP t=5,5	14	4-5/32"	18,05	3	10	6,0 ± 1,2 Nm
K599AU571903162	1/8" BSP t=5,5	14	6	19,65	4	2	6,0 ± 1,2 Nm
K599AU571903165	1/8" BSP t=5,5	14	6	19,65	4	5	6,0 ± 1,2 Nm
K599AU571903160	1/8" BSP t=5,5	14	6	19,65	4	10	6,0 ± 1,2 Nm
K599AU571903182	1/8" BSP t=5,5	14	8	24,75	6*	2	6,0 ± 1,2 Nm
K599AU571903185	1/8" BSP t=5,5	14	8	24,75	6*	5	6,0 ± 1,2 Nm
K599AU571903180	1/8" BSP t=5,5	14	8	24,75	6*	10	6,0 ± 1,2 Nm

\* The length of the clamping tool should be at least 14 mm.

### Straight fitting, 1/4" BSP

Certificates: RoHS

Min. ambient temperature: -10 °C

Max. ambient temperature: 60 °C

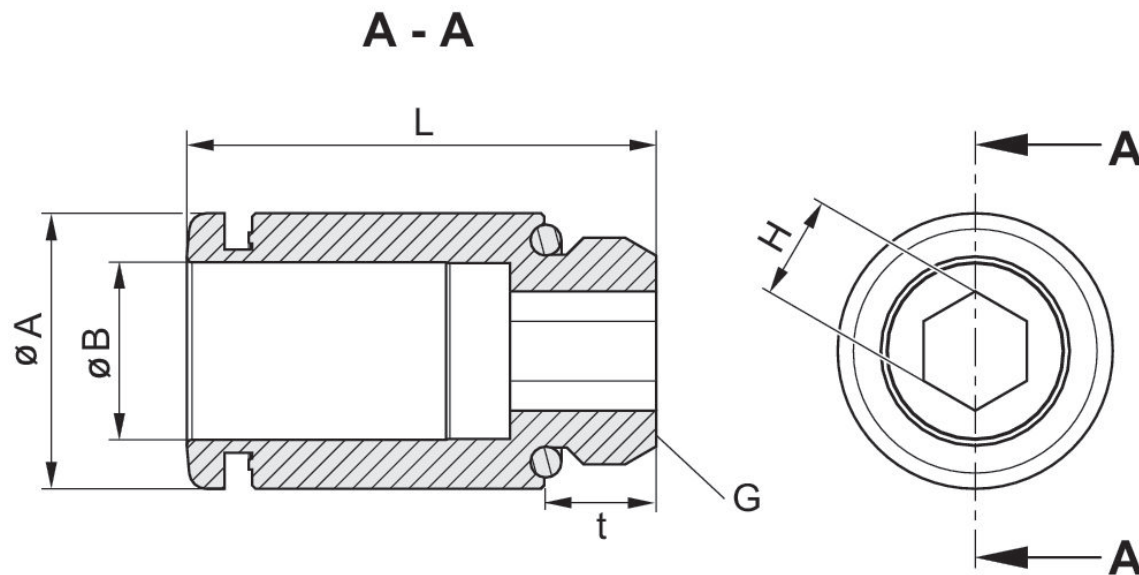
Min. working pressure: 0.95 bar

Max. working pressure: 10 bar



G	Delivery unit [piece]	Material	Part No.
1/4" BSP	2	Brass, nickel-plated	K599AU571903282
1/4" BSP	5	Brass, nickel-plated	K599AU571903285
1/4" BSP	10	Brass, nickel-plated	K599AU571903280
1/4" BSP	2	Brass, nickel-plated	K599AU571903202
1/4" BSP	5	Brass, nickel-plated	K599AU571903205
1/4" BSP	10	Brass, nickel-plated	K599AU571903200
1/4" BSP	2	Brass, nickel-plated	K599AU571903292
1/4" BSP	5	Brass, nickel-plated	K599AU571903295
1/4" BSP	10	Brass, nickel-plated	K599AU571903290

Dimensions



Part No.	Port G t=depth of thread	A	B	L	H	Delivery quantity	Recommend- ed tighten- ing torque
K599AU571903282	1/4" BSP t=6,5	16	8-5/16"	21,75	6*	2	7,5 ± 1,5 Nm

Part No.	Port G t=depth of thread	A	B	L	H	Delivery quantity	Recommend- ed tighten- ing torque
K599AU571903285	1/4" BSP t=6,5	16	8-5/16"	21,75	6*	5	7,5 ± 1,5 Nm
K599AU571903280	1/4" BSP t=6,5	16	8-5/16"	21,75	6*	10	7,5 ± 1,5 Nm
K599AU571903202	1/4" BSP t=6,5	16	10	27,3	6	2	7,5 ± 1,5 Nm
K599AU571903205	1/4" BSP t=6,5	16	10	27,3	6	5	7,5 ± 1,5 Nm
K599AU571903200	1/4" BSP t=6,5	16	10	27,3	6	10	7,5 ± 1,5 Nm
K599AU571903292	1/4" BSP t=6,5	19	12	30,3	6	2	7,5 ± 1,5 Nm
K599AU571903295	1/4" BSP t=6,5	19	12	30,3	6	5	7,5 ± 1,5 Nm
K599AU571903290	1/4" BSP t=6,5	19	12	30,3	6	10	7,5 ± 1,5 Nm

\* The length of the clamping tool should be at least 14 mm.

### Straight fitting, 1/8" NPT

Certificates: RoHS

Min. ambient temperature: -10 °C

Max. ambient temperature: 60 °C

Min. working pressure: 0.95 bar

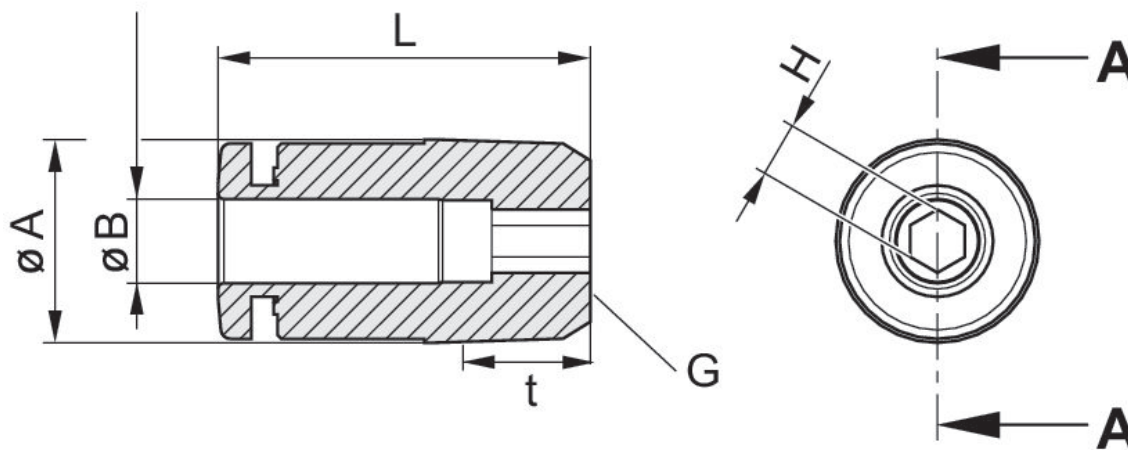
Max. working pressure: 10 bar



G	Delivery unit [piece]	Material	Part No.
NPT 1/8"	2	Brass, nickel-plated	K599AU571903542
NPT 1/8"	5	Brass, nickel-plated	K599AU571903545
NPT 1/8"	10	Brass, nickel-plated	K599AU571903540
NPT 1/8"	2	Brass, nickel-plated	K599AU571903522
NPT 1/8"	5	Brass, nickel-plated	K599AU571903525
NPT 1/8"	10	Brass, nickel-plated	K599AU571903520
NPT 1/8"	2	Brass, nickel-plated	K599AU571903582
NPT 1/8"	5	Brass, nickel-plated	K599AU571903585
NPT 1/8"	10	Brass, nickel-plated	K599AU571903580

Dimensions

### A - A



Part No.	Port G t=depth of thread	A	B	L	H	Delivery quantity	Recommend- ed tighten- ing torque
K599AU571903542	1/8" NPT t=8,5	10.4	4 mm + 5/32"	19.05	7/64"	2	3 - 4 Nm



Part No.	Port G t=depth of thread	A	B	L	H	Delivery quantity	Recommend- ed tighten- ing torque
K599AU571903545	1/8" NPT t=8,5	10.4	4 mm + 5/32"	19.05	7/64"	5	3 - 4 Nm
K599AU571903540	1/8" NPT t=8,5	10.4	4 mm + 5/32"	19.05	7/64"	10	3 - 4 Nm
K599AU571903522	1/8" NPT t=8,5	13	1/4"	22,3	5/32"	2	3 - 4 Nm
K599AU571903525	1/8" NPT t=8,5	13	1/4"	22,3	5/32"	5	3 - 4 Nm
K599AU571903520	1/8" NPT t=8,5	13	1/4"	22,3	5/32"	10	3 - 4 Nm
K599AU571903582	1/8" NPT t=8,5	14	8 mm + 5/16"	26,75	7/32" *	2	3 - 4 Nm
K599AU571903585	1/8" NPT t=8,5	14	8 mm + 5/16"	26,75	7/32" *	5	3 - 4 Nm
K599AU571903580	1/8" NPT t=8,5	14	8 mm + 5/16"	26,75	7/32" *	10	3 - 4 Nm

\* The length of the clamping tool should be at least 20 mm.

### Straight fitting, 1/4" NPT

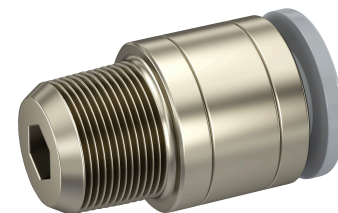
Certificates: RoHS

Min. ambient temperature: -10 °C

Max. ambient temperature: 60 °C

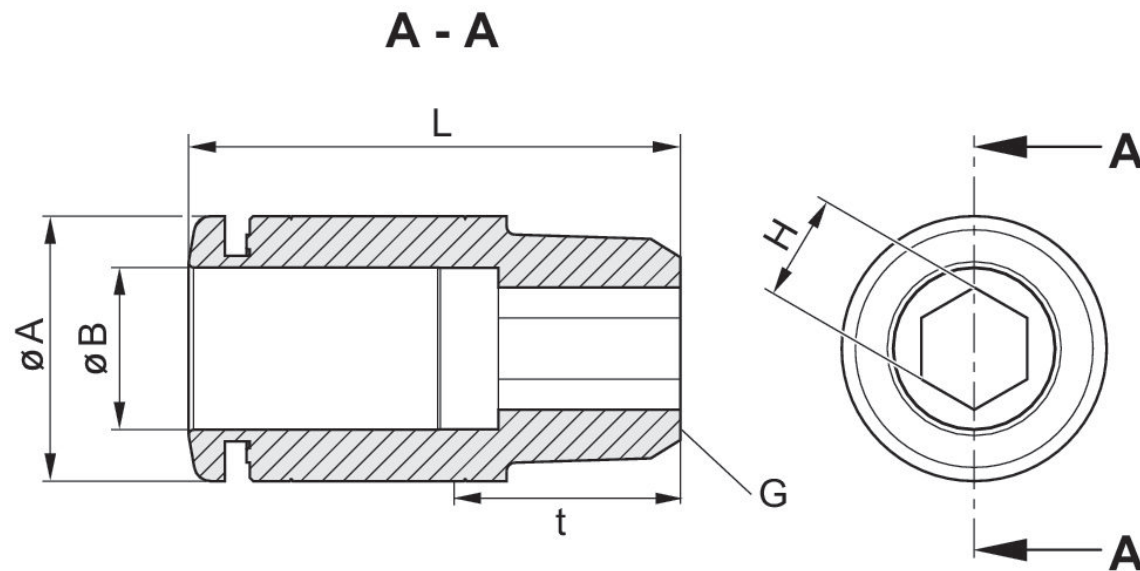
Min. working pressure: 0.95 bar

Max. working pressure: 10 bar



G	Delivery unit [piece]	Material	Part No.
NPT 1/4"	2	Brass, nickel-plated	K599AU571903682
NPT 1/4"	5	Brass, nickel-plated	K599AU571903685
NPT 1/4"	10	Brass, nickel-plated	K599AU571903680
NPT 1/4"	2	Brass, nickel-plated	K599AU571903632
NPT 1/4"	5	Brass, nickel-plated	K599AU571903635
NPT 1/4"	10	Brass, nickel-plated	K599AU571903630
NPT 1/4"	2	Brass, nickel-plated	K599AU571903692
NPT 1/4"	5	Brass, nickel-plated	K599AU571903695
NPT 1/4"	10	Brass, nickel-plated	K599AU571903690

Dimensions



Part No.	Port G t=depth of thread	A	B	L	H	Delivery quantity	Recommend- ed tighten- ing torque
K599AU571903682	1/4" NPT t=10,5	14	8 mm + 5/16"	25.25	7/32" *	2	7 - 12 Nm

Part No.	Port G t=depth of thread	A	B	L	H	Delivery quantity	Recommend- ed tighten- ing torque
K599AU571903685	1/4" NPT t=10,5	14	8 mm + 5/16"	25,25	7/32" *	5	7 - 12 Nm
K599AU571903680	1/4" NPT t=10,5	14	8 mm + 5/16"	25,25	7/32" *	10	7 - 12 Nm
K599AU571903632	1/4" NPT t=10,5	16	3/8"	29,7	1/4"	2	7 - 12 Nm
K599AU571903635	1/4" NPT t=10,5	16	3/8"	29,7	1/4"	5	7 - 12 Nm
K599AU571903630	1/4" NPT t=10,5	16	3/8"	29,7	1/4"	10	7 - 12 Nm
K599AU571903692	1/4" NPT t=10,5	19	1/2"	33,9	3/8" *	2	7 - 12 Nm
K599AU571903695	1/4" NPT t=10,5	19	1/2"	33,9	3/8" *	5	7 - 12 Nm
K599AU571903690	1/4" NPT t=10,5	19	1/2"	33,9	3/8" *	10	7 - 12 Nm

\* The length of the clamping tool should be at least 20 mm.

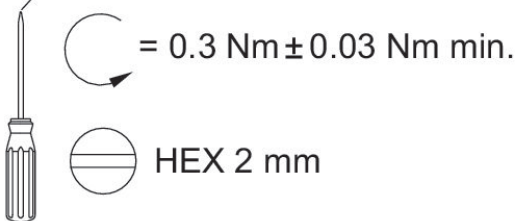
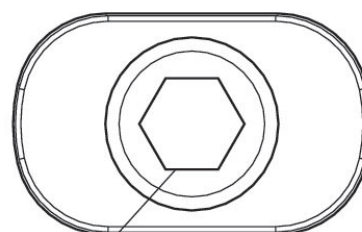
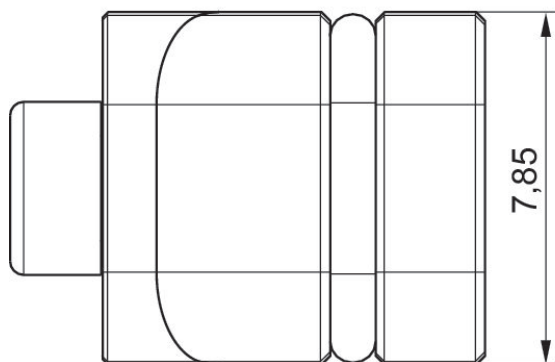
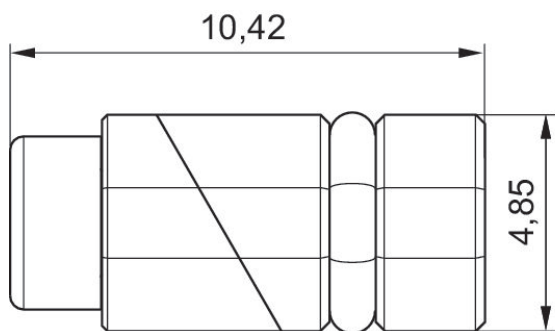
### Separator for channel 1, 3, 5

Min. ambient temperature: -10 °C  
 Max. ambient temperature: 50 °C  
 Min. working pressure: -0.95 bar  
 Max. working pressure: 8 bar



Delivery unit [piece]	Weight [kg]	Part No.
10	0.01	P572AD567994001

Dimensions



## Separator for channel X

Min. ambient temperature: -10 °C

Max. ambient temperature: 50 °C

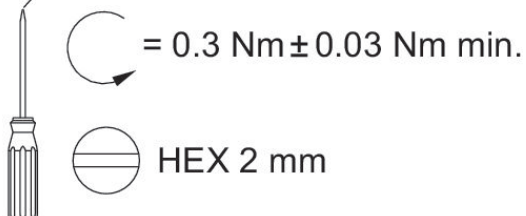
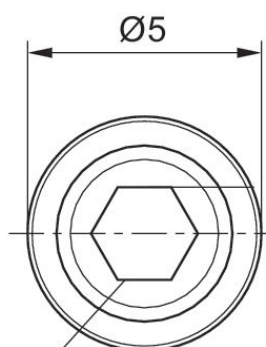
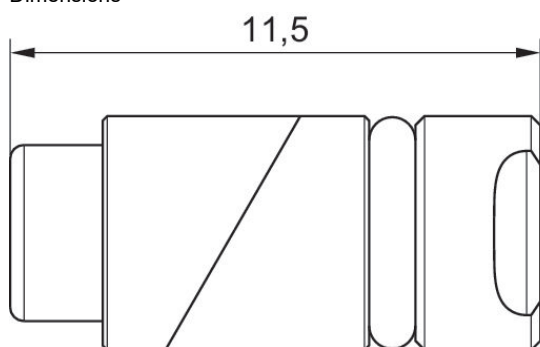
Min. working pressure: 3 bar

Max. working pressure: 8 bar



Delivery unit [piece]	Weight [kg]	Part No.
10	0.01	P572AD568264001

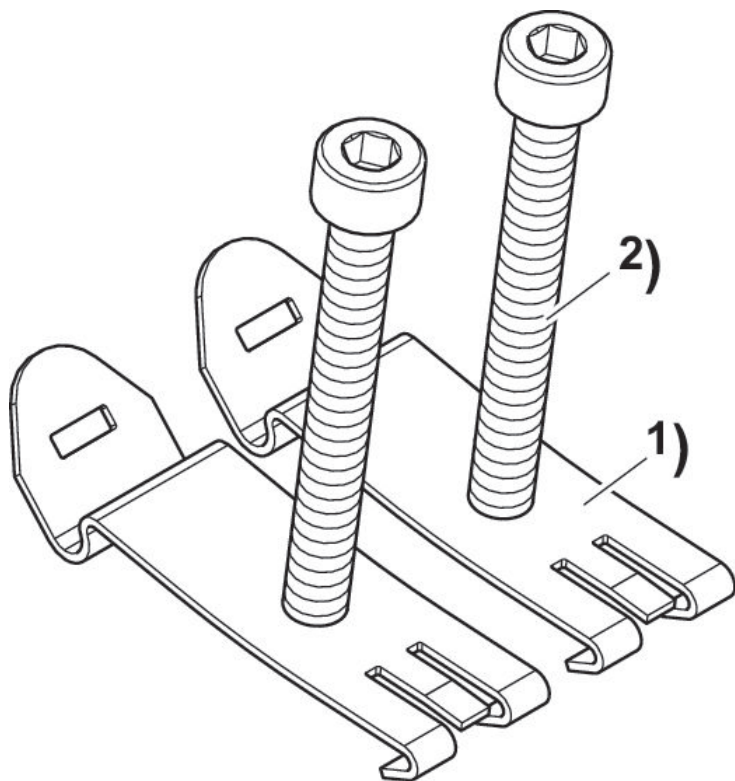
### Dimensions



Mounting kit for DIN rail XV03



Delivery unit [piece]	Material	Part No.
2	Stainless Steel	P572AU569467001







- 1) DIN rail
- 2) Hexagon screw M4x35

Efficient pneumatic solutions, our program:  
cylinders and drives, valves and valve systems,  
air supply management, proportional pressure  
control valves



Visit us: [www.Emerson.com/aventics](http://www.Emerson.com/aventics)  
Your local contact: [Emerson.com/contactus](http://Emerson.com/contactus)

-  [Emerson.com](http://Emerson.com)
-  [Facebook.com/EmersonAutomationSolutions](https://Facebook.com/EmersonAutomationSolutions)
-  [LinkedIn.com/company/Emerson-Automation-Solutions](https://LinkedIn.com/company/Emerson-Automation-Solutions)
-  [Twitter.com/EMR\\_Automation](https://Twitter.com/EMR_Automation)



The Emerson logo is a trademark and service mark of Emerson Electric Co. AVENTICS is a registered trademark of one of the Emerson family of companies. All other trademarks are the property of their respective owners. © 2020 Emerson Electric Co. All rights reserved.



**CONSIDER IT SOLVED<sup>®</sup>**