

Series XV05



Series XV05

The AVENTICS XV05 series provides a reliable basis for both compact handling systems and complex automation solutions. It comprises a wide range of valve functions and accessories as well as the required electrical connectivity for all requirements in factory automation and other industries. The associated XVES Connectivity module allows for connection options ranging from simple direct control via D-SUB or terminal strips to a variety of fieldbus protocols. Our one-of-a-kind online configurator makes it easy to configure the complete valve system, including accessories, so that it is perfectly tailored to your application needs.

- Optimized flow to size
- Easy and flexible custom specific configurations via online configurator
- Broad connectivity through terminal strip, multipol, or fieldbus connection
- Multiple pneumatic connection directions as side, bottom and top
- Low energy consumption
- Wide range of accessories as shut-off, supply modules, speed modules and regulators
- Webserver and diagnostic
- Global availability and universal threads to support regional demands
- Robust aluminium base plate and ready for cabinet assembly



Product overview

2x3/2-directional valve

	Page
2x3/2-directional valve, Series XV05, NO/NO, Manual override: without detent.....	6
Double Solenoid - without detent - 2x 3/2 NO/NO, with spring return	
2x3/2-directional valve, Series XV05, NO/NO, Manual override: with detent.....	7
Double Solenoid - with detent - 2x 3/2 NO/NO, with spring return	
2x3/2-directional valve, Series XV05, NC/NC, Manual override: without detent.....	8
Double Solenoid - without detent - 2x 3/2 NC/NC, with spring return	
2x3/2-directional valve, Series XV05, NC/NC, Manual override: with detent.....	9
Double Solenoid - without detent - 2x 3/2 NC/NC, with spring return	
2x3/2-directional valve, Series XV05, NC/NO, Manual override: without detent.....	10
Double Solenoid - without detent - 2x 3/2 NC/NO, with spring return	
2x3/2-directional valve, Series XV05, NC/NO, Manual override: with detent.....	11
Double Solenoid - without detent - 2x 3/2 NC/NO, with spring return	
2x3/2-directional valve, Series XV05, NO/NO, Manual override: without detent, Top connection.....	12
Double Solenoid - without detent - 2x 3/2 NO/NO, with spring return	
2x3/2-directional valve, Series XV05, NO/NO, Manual override: detent, Top connection.....	14
Double Solenoid - with detent - 2x 3/2 NO/NO, with spring return	
2x3/2-directional valve, Series XV05, NC/NC, Manual override: without detent, Top connection.....	16
Double Solenoid - without detent - 2x 3/2 NC/NC, with spring return	
2x3/2-directional valve, Series XV05, NC/NC, Manual override: detent, Top connection.....	18
Double Solenoid - with detent - 2x 3/2 NC/NC, with spring return	
2x3/2-directional valve, Series XV05, NC/NO, Manual override: without detent, Top connection.....	20
Double Solenoid - without detent - 2x 3/2 NC/NO, with spring return	
2x3/2-directional valve, Series XV05, NC/NO, Manual override: detent, Top connection.....	22
Double Solenoid - with detent - 2x 3/2 NC/NO, with spring return	

5/2-directional valve

5/2-directional valve, Series XV05, with spring return, manual override: without detent.....	24
Single Solenoid - 5/2, with spring return	
5/2-directional valve, Series XV05, with spring return, Manual override: with detent.....	25
Single Solenoid - 5/2, with spring return	
5/2-directional valve, Series XV05, with air spring return, manual override: without detent.....	26
Single Solenoid - 5/2, with air spring return	
5/2-directional valve, Series XV05, with air spring return, Manual override: with detent.....	27
Single Solenoid - with detent - 5/2, with air spring return	
5/2-directional valve, Series XV05, double solenoid, manual override: without detent.....	28
Double Solenoid - 5/2, double solenoid	
5/2-directional valve, Series XV05, double solenoid, Manual override: with detent.....	29
Double Solenoid - with detent - 5/2, double solenoid	
5/2-directional valve, Series XV05, with spring return, manual override: without detent, Top connection.....	30
Single Solenoid - 5/2, with spring return	
5/2-directional valve, Series XV05, with spring return, Manual override: with detent, Top connection.....	32
Single Solenoid - 5/2, with spring return	
5/2-directional valve, Series XV05, with air spring return, MO: without detent, Top connection.....	34
Single Solenoid - 5/2, with air spring return	
5/2-directional valve, Series XV05, with air spring return, Manual override: with detent, Top connection.....	36
Single Solenoid - with detent - 5/2, with air spring return	

Product overview

	Page
5/2-directional valve, Series XV05, double solenoid, manual override: without detent, Top connection.....	38
Double Solenoid - without detent - 5/2, double solenoid	
5/2-directional valve, Series XV05, double solenoid, Manual override: with detent, Top connection. Double Solenoid - with detent - 5/2, double solenoid	40
5/3-directional valve	
5/3-directional valve, Series XV05, pressurized center, manual override: without detent.....	42
Double Solenoid - 5/3, pressurized center	
5/3-directional valve, Series XV05, pressurized center, Manual override: with detent.....	43
Double Solenoid - with detent - 5/3, pressurized center	
5/3-directional valve, Series XV05, exhausted center, manual override: without detent.....	44
Double Solenoid - without detent - 5/3, exhausted center	
5/3-directional valve, Series XV05, Exhausted Center, Manual override: with detent.....	45
Double Solenoid - without detent - 5/3, exhausted center	
5/3-directional valve, Series XV05, closed center, manual override: without detent.....	46
Double Solenoid - without detent - 5/3, closed center	
5/3-directional valve, Series XV05, closed center, Manual override: with detent.....	47
Double Solenoid - with detent - 5/3, closed center	
5/3-directional valve, Series XV05, pressurized center, manual override: without detent, Top connection.....	48
Double Solenoid - without detent - 5/3, pressurized center	
5/3-directional valve, Series XV05, pressurized center, Manual override: with detent.....	50
Double Solenoid - with detent - 5/3, pressurized center	
5/3-directional valve, Series XV05, exhausted center, manual override: without detent, Top connection.....	52
Double Solenoid - without detent - 5/3, exhausted center	
5/3-directional valve, Series XV05, Exhausted Center, Manual override: with detent, Top connection.....	54
Double Solenoid - with detent - 5/3, exhausted center	
5/3-directional valve, Series XV05, closed center, manual override: without detent, Top connection	56
Double Solenoid - without detent - 5/3, closed center	
5/3-directional valve, Series XV05, closed center, Manual override: with detent, Top connection.....	58
Double Solenoid - with detent - 5/3, closed center	
Accessories overview Electrical accessories	
Multipole connection, 25-pin, on top.....	60
Multipole connection, 44-pin, on top.....	61
Multipole connection, 25-pin, on the side.....	62
Multipole connection, 44-pin, on the side.....	63
Multipole connection, terminal 27, on top.....	64
Accessories overview Fieldbus connections	
Bus coupler, series XVES Profinet.....	65
Bus coupler, series XVES EtherCAT.....	67
Bus coupler, series XVES EtherNet/IP.....	69
Bus coupler, series XVES Modbus TCP.....	71
Bus coupler, series XVES Profibus DP.....	73
Plug	
Bus coupler, series XVES IO-Link.....	75
IO-Link - Plug	

Product overview

Accessories overview Base plates

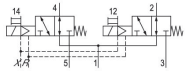
	Page
Base plate, series XV05, working connections on the side.....	77
Base plate, series XV05, working connections on bottom.....	78

Accessories overview Mechanical accessories

Blank plate, series XV05.....	80
Supply plate, series XV05.....	81
Air supply sandwich plate, series XV05.....	82
Exhaust sandwich plate, series XV05.....	83
Shut-off module, Series XV05.....	84
Shut-off module, Series XV05, extended.....	85
Throttle sandwich plate, series XV05.....	86
Orifice plugs.....	88
Straight fitting, M7x1.....	90
Straight fitting, M7x1, Screw.....	92
Straight fitting	
Straight fitting, 1/8" BSP.....	93
Straight fitting, 1/4" BSP.....	95
Straight fitting, 1/8" NPT.....	97
Straight fitting, 1/4" NPT.....	99
Separator for channel 1, 3, 5.....	101
Separator for channel X.....	102
Mounting kit for DIN rail XV05.....	103

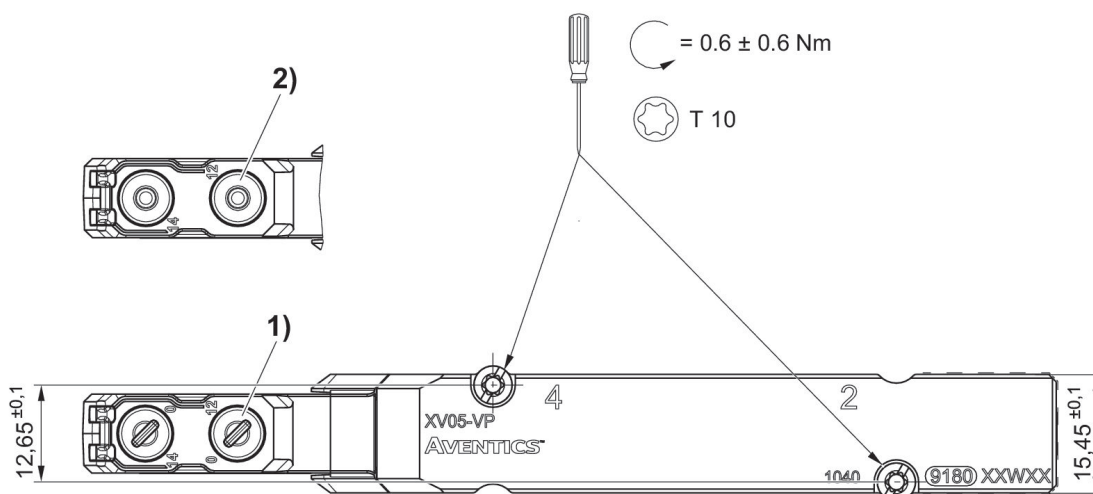
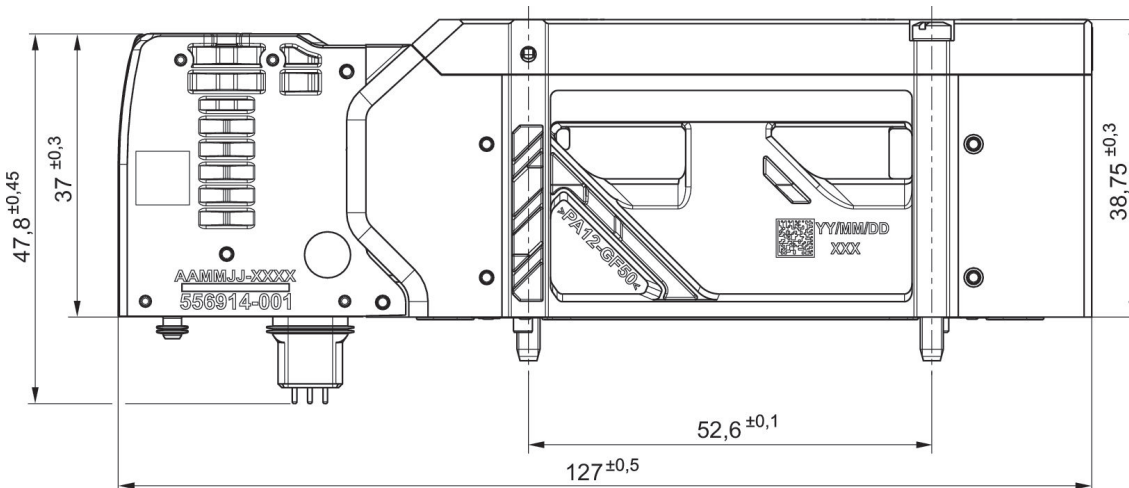
2x3/2-directional valve, Series XV05, NO/NO, Manual override: without detent

Flow: 1000 l/min
 Activation: Electrically operated
 Min. control pressure: 3 bar
 Max. control pressure: 8 bar
 Duty cycle: 100 %
 Type: Spool valve, positive overlapping
 Min. ambient temperature: -10 °C
 Max. ambient temperature: 50 °C
 Min. working pressure: -0.95 bar
 Max. working pressure: 8 bar



Switching principle	Operational voltage	Pilot	Power consumption DC [W]	Max. working pressure [bar]	Part No.
2x 3/2 NO/NO, with spring return	24 V DC	External	0.55	8	R573A2BA0MA00F1

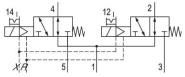
Dimensions



1) with detent
 2) without detent

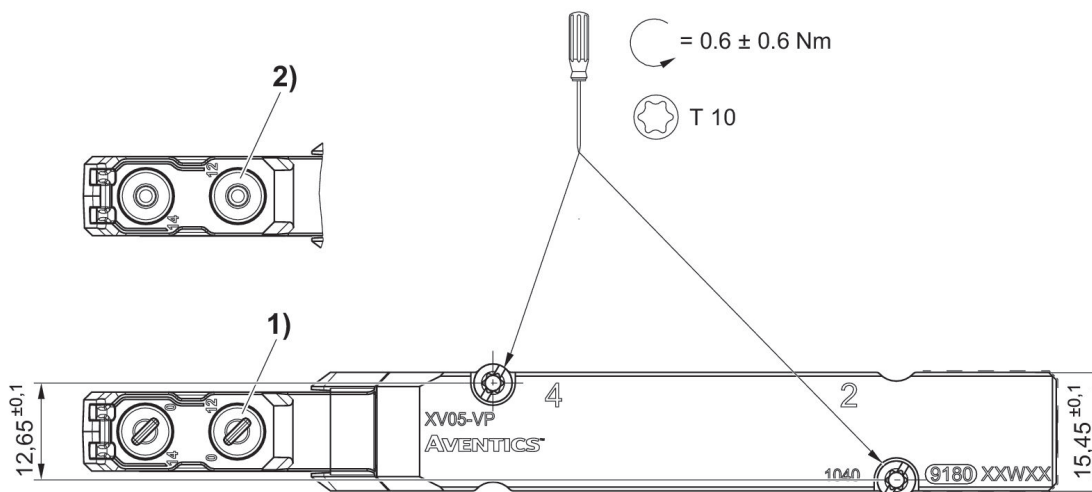
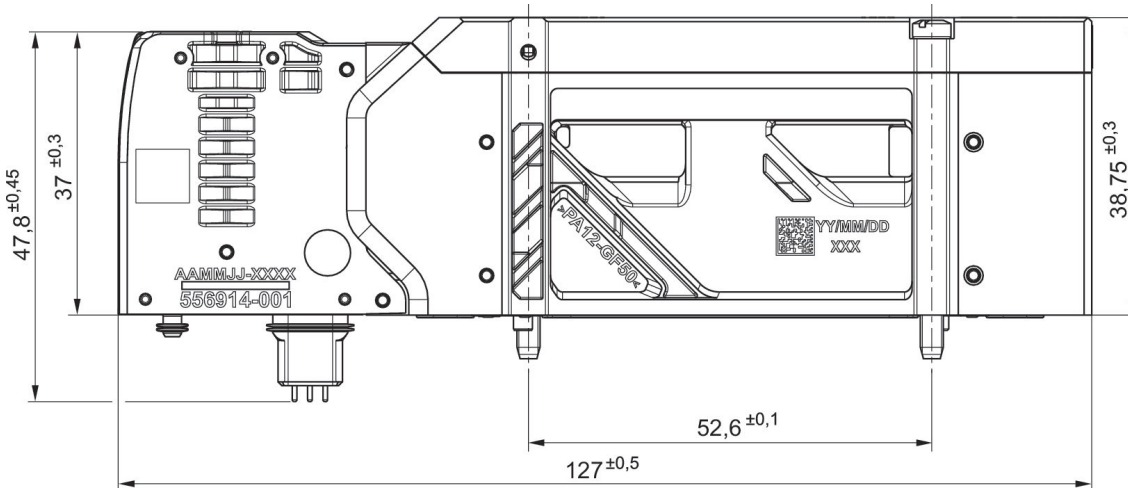
2x3/2-directional valve, Series XV05, NO/NO, Manual override: with detent

Flow: 1000 l/min
 Activation: Electrically operated
 Min. control pressure: 3 bar
 Max. control pressure: 8 bar
 Duty cycle: 100 %
 Type: Spool valve, positive overlapping
 Min. ambient temperature: -10 °C
 Max. ambient temperature: 50 °C
 Min. working pressure: -0.95 bar
 Max. working pressure: 8 bar



Switching principle	Operational voltage	Pilot	Power consumption DC [W]	Max. working pressure [bar]	Part No.
2x 3/2 NO/NO, with spring return	24 V DC	External	0.55	8	R573A2CA0MA00F1

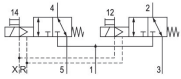
Dimensions



- 1) with detent
- 2) without detent

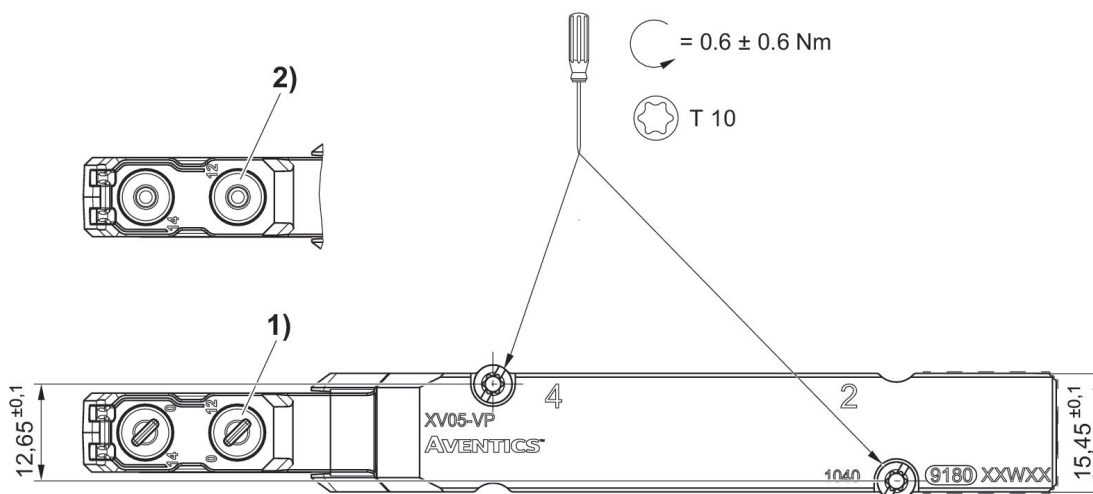
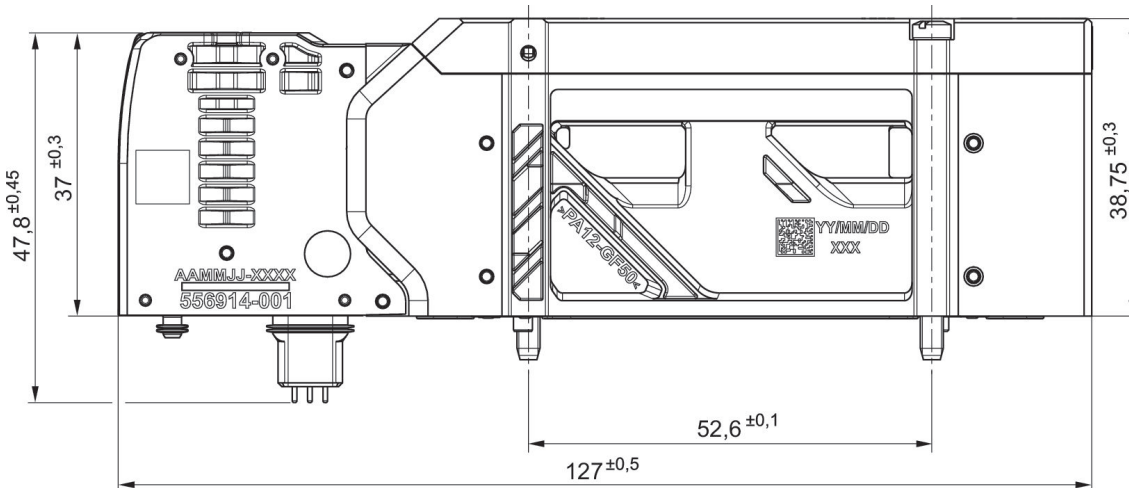
2x3/2-directional valve, Series XV05, NC/NC, Manual override: without detent

Flow: 1000 l/min
 Activation: Electrically operated
 Min. control pressure: 3 bar
 Max. control pressure: 8 bar
 Duty cycle: 100 %
 Type: Spool valve, positive overlapping
 Min. ambient temperature: -10 °C
 Max. ambient temperature: 50 °C
 Min. working pressure: -0.95 bar
 Max. working pressure: 8 bar



Switching principle	Operational voltage	Pilot	Power consumption DC [W]	Max. working pressure [bar]	Part No.
2x 3/2 NC/NC, with spring return	24 V DC	External	0.55	8	R573A2BD0MA00F1

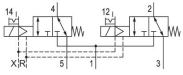
Dimensions



- 1) with detent
- 2) without detent

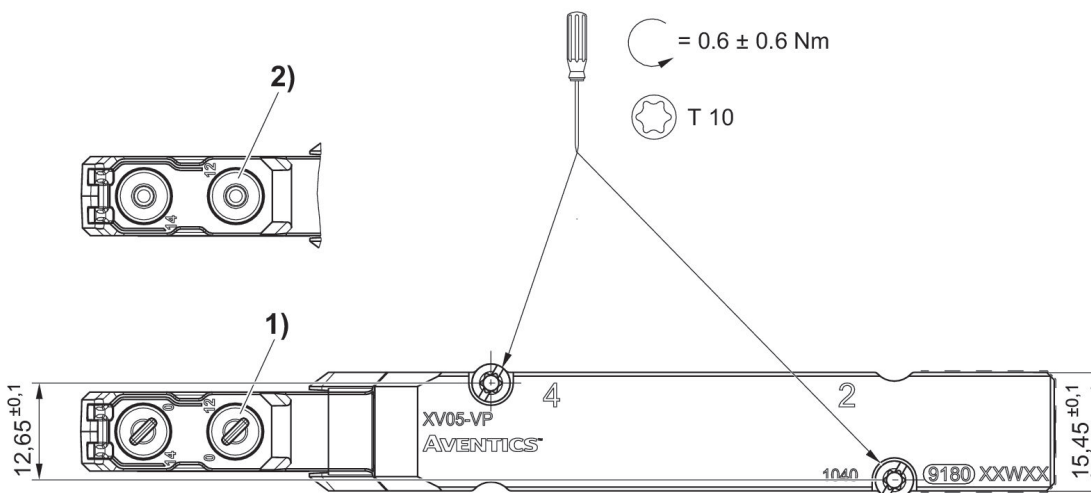
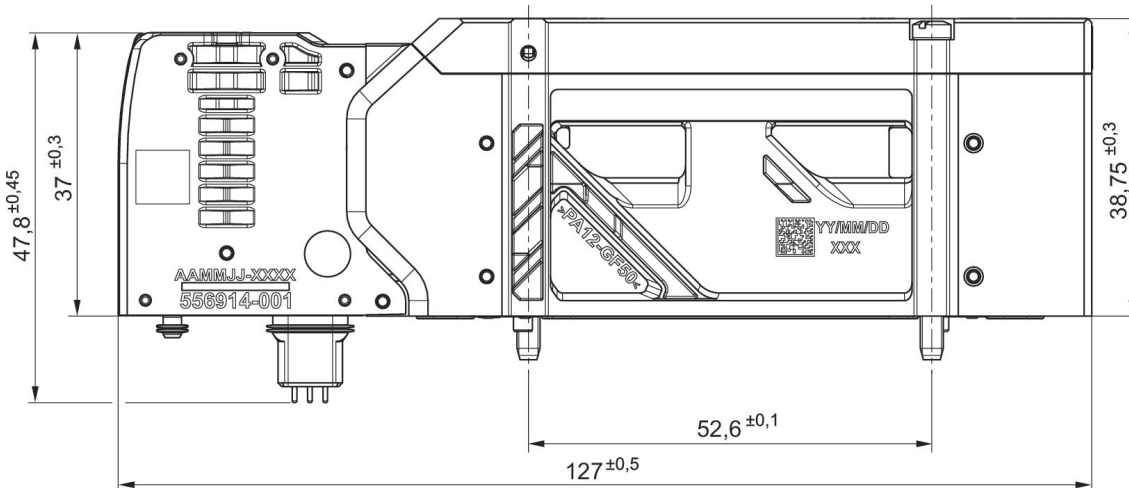
2x3/2-directional valve, Series XV05, NC/NC, Manual override: with detent

Flow: 1000 l/min
 Activation: Electrically operated
 Min. control pressure: 3 bar
 Max. control pressure: 8 bar
 Duty cycle: 100 %
 Type: Spool valve, positive overlapping
 Min. ambient temperature: -10 °C
 Max. ambient temperature: 50 °C
 Min. working pressure: -0.95 bar
 Max. working pressure: 8 bar



Switching principle	Operational voltage	Pilot	Power consumption DC [W]	Max. working pressure [bar]	Part No.
2x 3/2 NC/NC, with spring return	24 V DC	External	0.55	8	R573A2CD0MA00F1

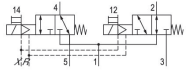
Dimensions



- 1) with detent
- 2) without detent

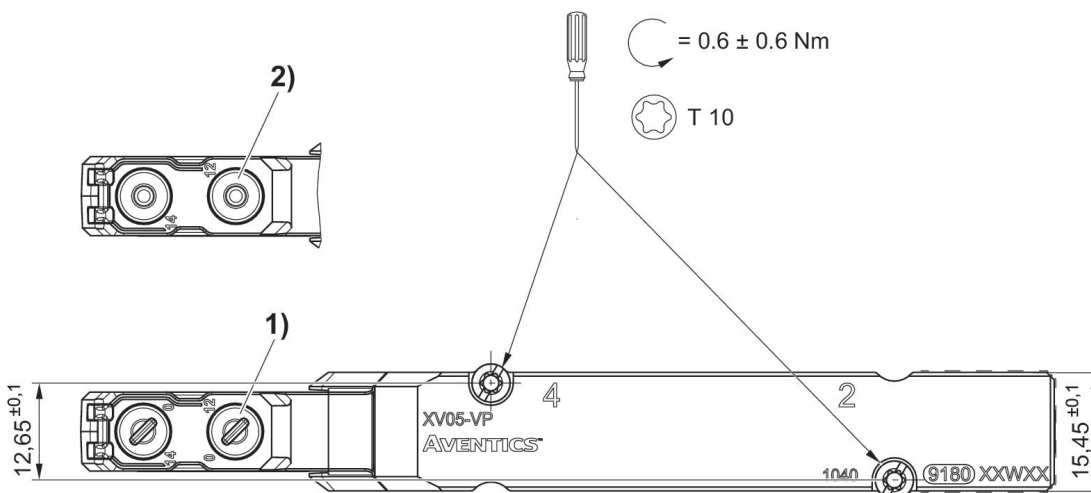
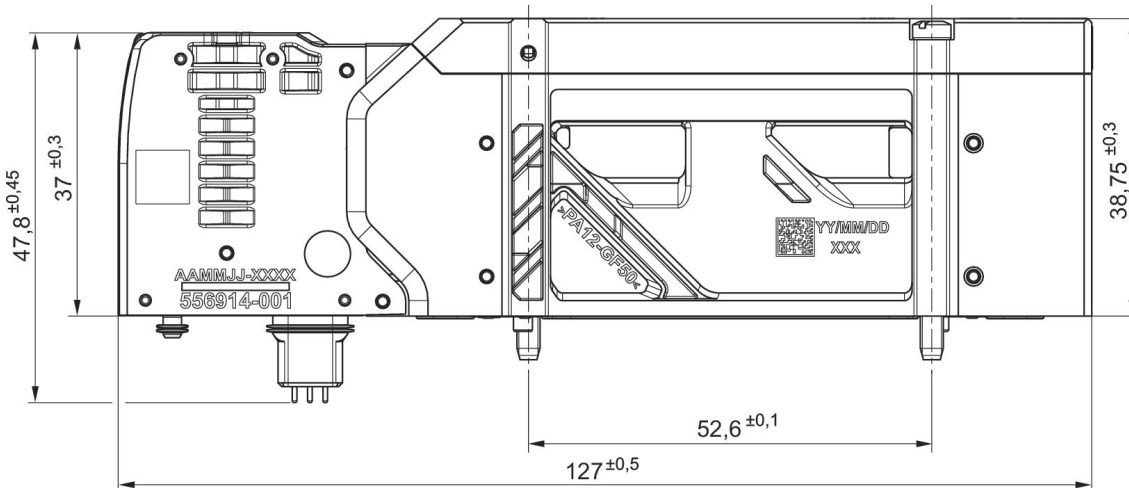
2x3/2-directional valve, Series XV05, NC/NO, Manual override: without detent

Flow: 1000 l/min
 Activation: Electrically operated
 Min. control pressure: 3 bar
 Max. control pressure: 8 bar
 Duty cycle: 100 %
 Type: Spool valve, positive overlapping
 Min. ambient temperature: -10 °C
 Max. ambient temperature: 50 °C
 Min. working pressure: -0.95 bar
 Max. working pressure: 8 bar



Switching principle	Operational voltage	Pilot	Power consumption DC [W]	Max. working pressure [bar]	Part No.
2x 3/2 NC/NO, with spring return	24 V DC	External	0.55	8	R573A2BF0MA00F1

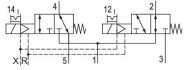
Dimensions



1) with detent
 2) without detent

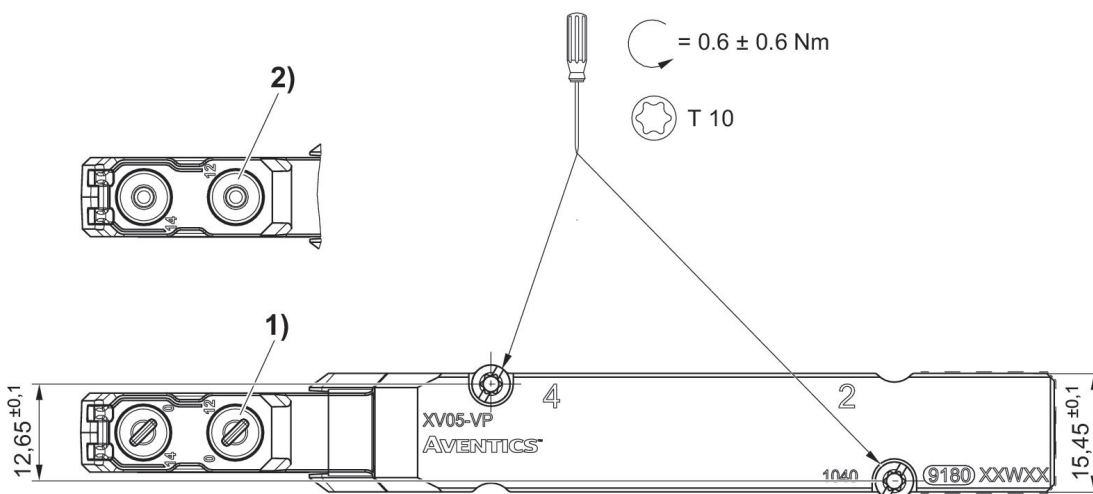
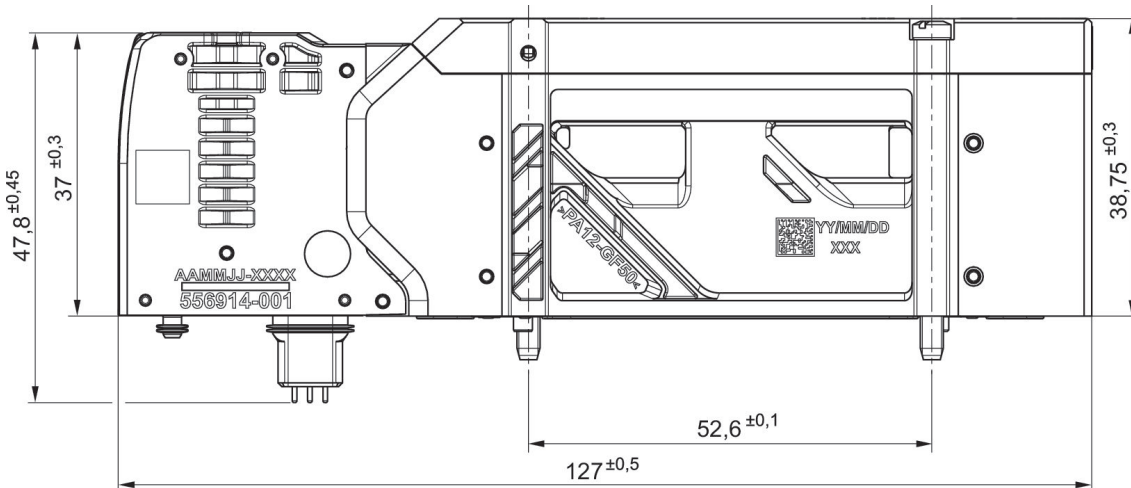
2x3/2-directional valve, Series XV05, NC/NO, Manual override: with detent

Flow: 1000 l/min
 Activation: Electrically operated
 Min. control pressure: 3 bar
 Max. control pressure: 8 bar
 Duty cycle: 100 %
 Type: Spool valve, positive overlapping
 Min. ambient temperature: -10 °C
 Max. ambient temperature: 50 °C
 Min. working pressure: -0.95 bar
 Max. working pressure: 8 bar



Switching principle	Operational voltage	Pilot	Power consumption DC [W]	Max. working pressure [bar]	Part No.
2x 3/2 NC/NO, with spring return	24 V DC	External	0.55	8	R573A2CF0MA00F1

Dimensions



1) with detent
 2) without detent

2x3/2-directional valve, Series XV05, NO/NO, Manual override: without detent, Top connection

Flow: 1000 l/min

Activation: Electrically operated

Min. control pressure: 3 bar

Max. control pressure: 8 bar

Duty cycle: 100 %

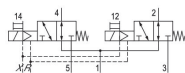
Type: Spool valve, positive overlapping

Min. ambient temperature: -10 °C

Max. ambient temperature: 50 °C

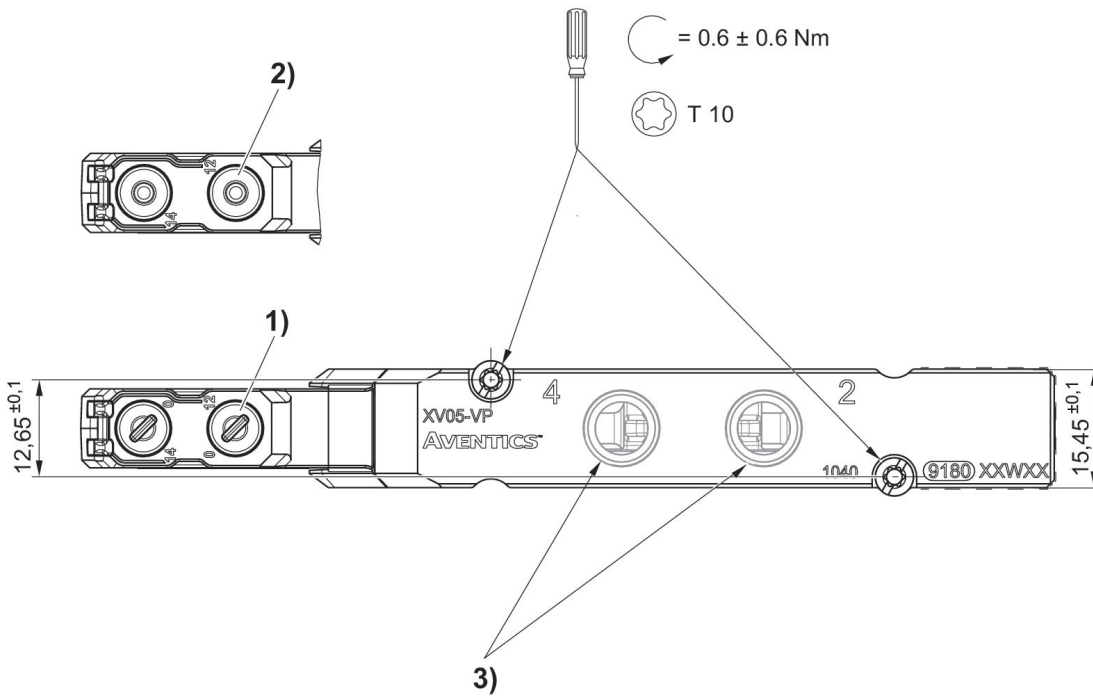
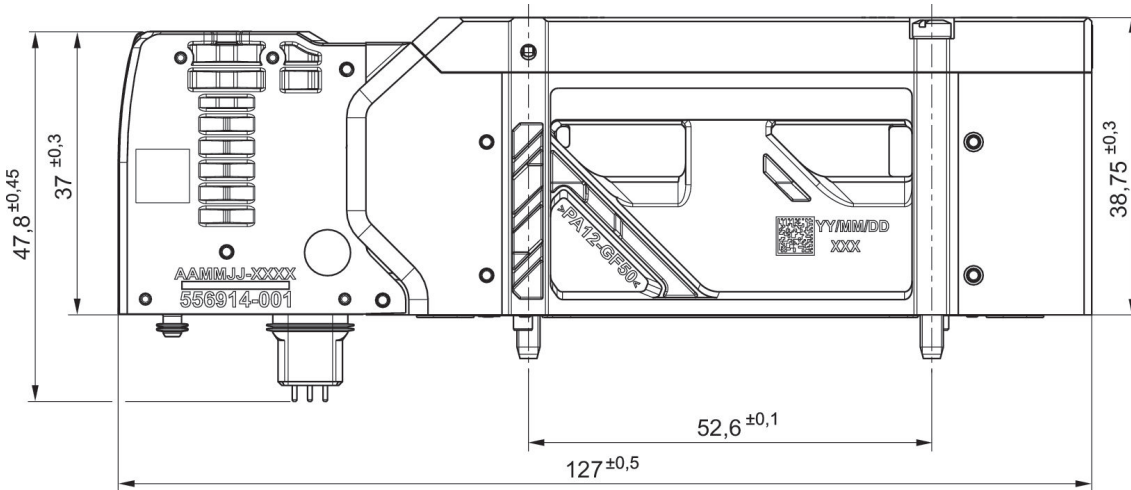
Min. working pressure: -0.95 bar

Max. working pressure: 8 bar



Switching principle	Operational voltage	Pilot	Power consumption DC [W]	Max. working pressure [bar]	Part No.
2x 3/2 NO/NO, with spring return	24 V DC	External	0.55	8	R573A2BA1MACCF1

Dimensions



- 1) with detent
- 2) without detent
- 3) Ports: G 1/8 & NPT 1/8

2x3/2-directional valve, Series XV05, NO/NO, Manual override: detent, Top connection

Flow: 1000 l/min

Activation: Electrically operated

Min. control pressure: 3 bar

Max. control pressure: 8 bar

Duty cycle: 100 %

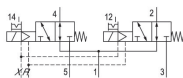
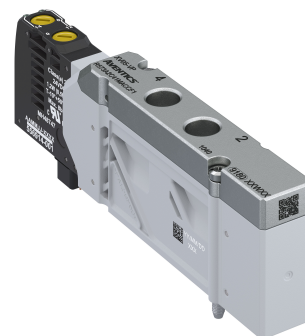
Type: Spool valve, positive overlapping

Min. ambient temperature: -10 °C

Max. ambient temperature: 50 °C

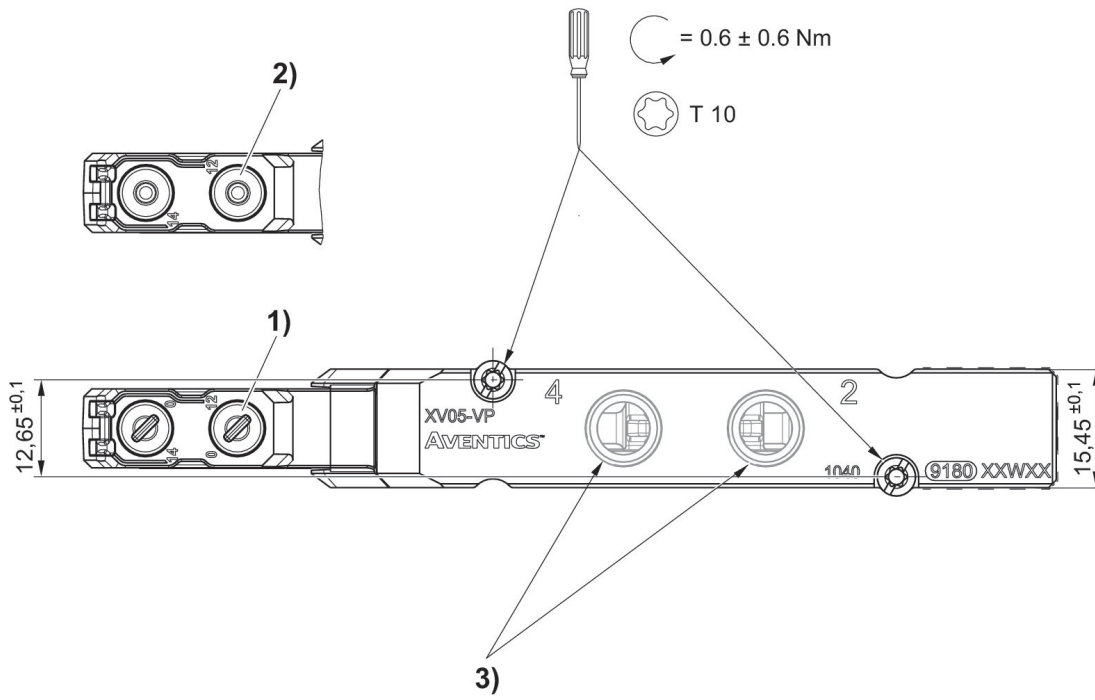
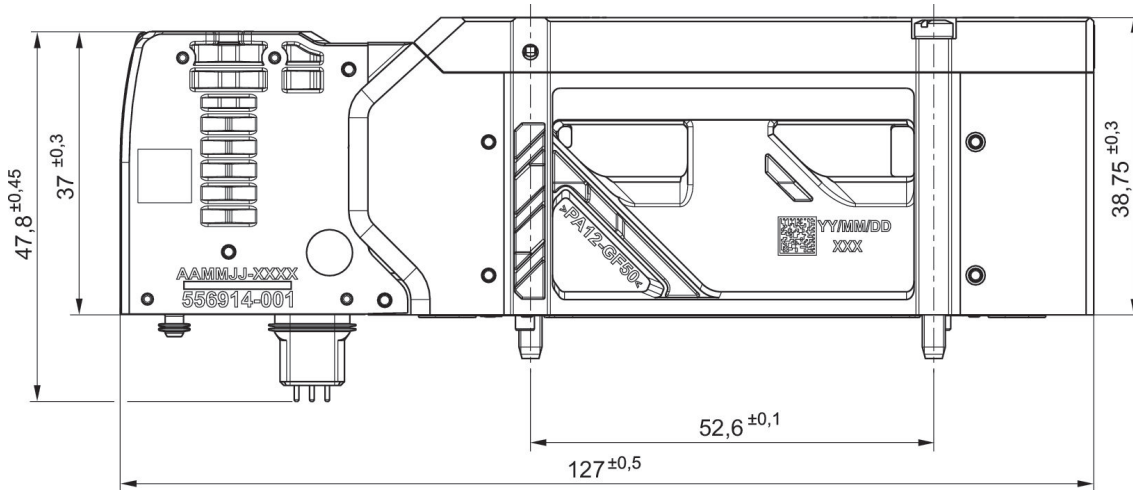
Min. working pressure: -0.95 bar

Max. working pressure: 8 bar



Switching principle	Operational voltage	Pilot	Power consumption DC [W]	Max. working pressure [bar]	Part No.
2x 3/2 NO/NO, with spring return	24 V DC	External	0.55	8	R573A2CA1MACCF1

Dimensions



- 1) with detent
- 2) without detent
- 3) Ports: G 1/8 & NPT 1/8

2x3/2-directional valve, Series XV05, NC/NC, Manual override: without detent, Top connection

Flow: 1000 l/min

Activation: Electrically operated

Min. control pressure: 3 bar

Max. control pressure: 8 bar

Duty cycle: 100 %

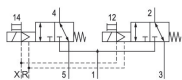
Type: Spool valve, positive overlapping

Min. ambient temperature: -10 °C

Max. ambient temperature: 50 °C

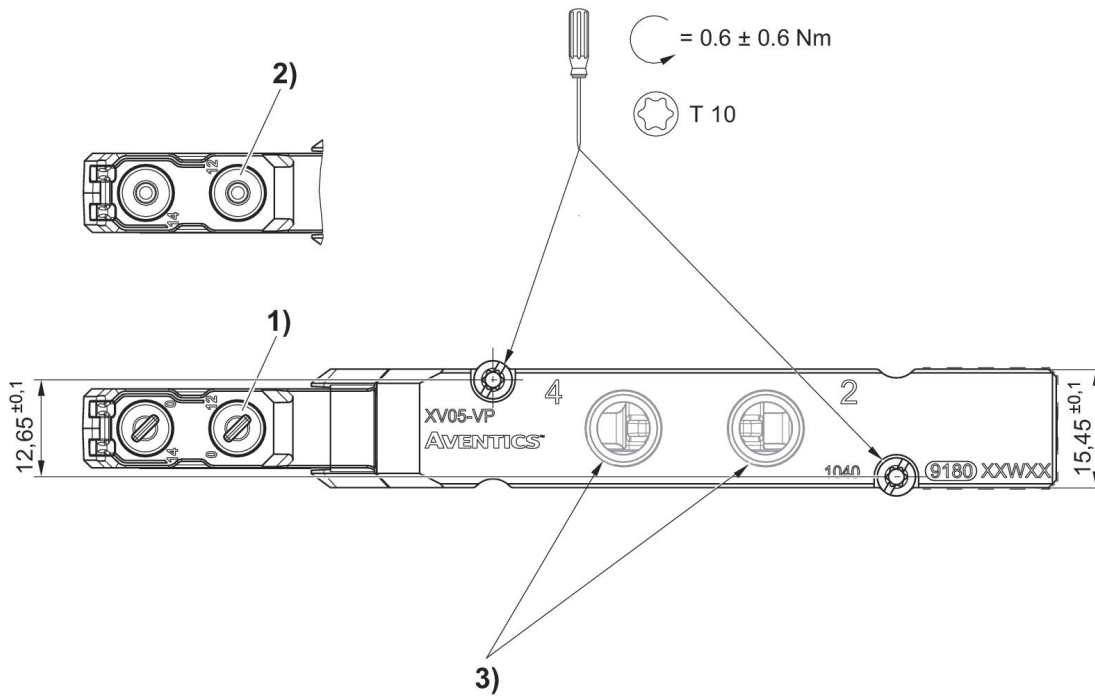
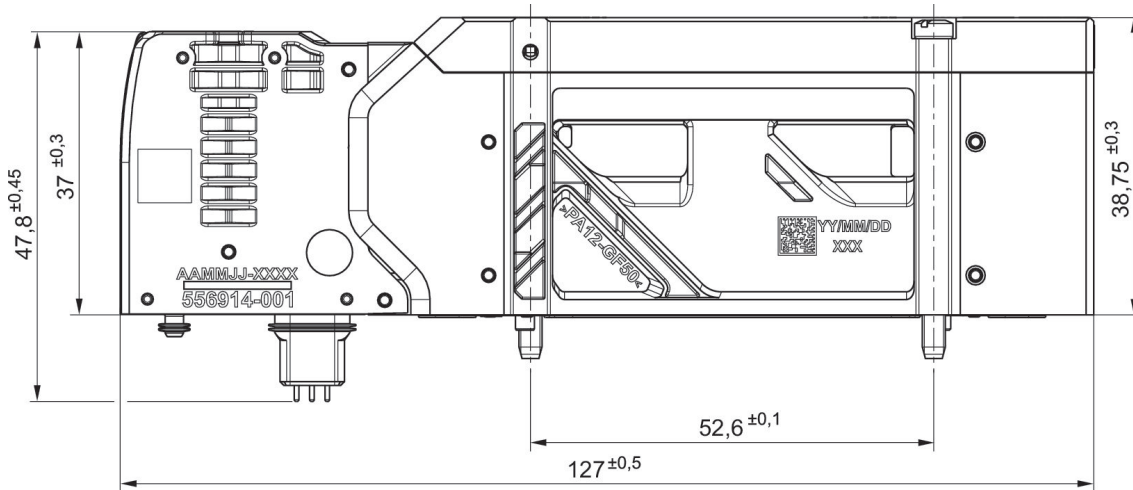
Min. working pressure: -0.95 bar

Max. working pressure: 8 bar



Switching principle	Operational voltage	Pilot	Power consumption DC [W]	Max. working pressure [bar]	Part No.
2x 3/2 NC/NC, with spring return	24 V DC	External	0.55	8	R573A2BD1MACCF1

Dimensions



- 1) with detent
- 2) without detent
- 3) Ports: G 1/8 & NPT 1/8

2x3/2-directional valve, Series XV05, NC/NC, Manual override: detent, Top connection

Flow: 1000 l/min

Activation: Electrically operated

Min. control pressure: 3 bar

Max. control pressure: 8 bar

Duty cycle: 100 %

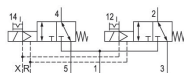
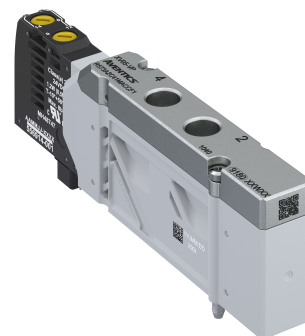
Type: Spool valve, positive overlapping

Min. ambient temperature: -10 °C

Max. ambient temperature: 50 °C

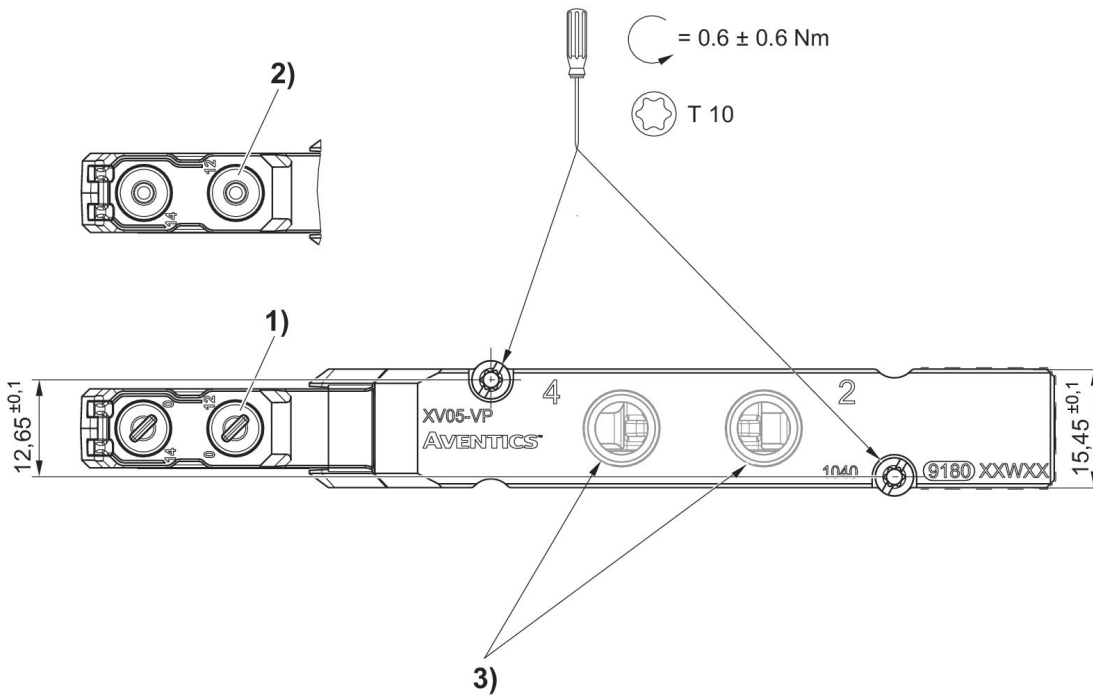
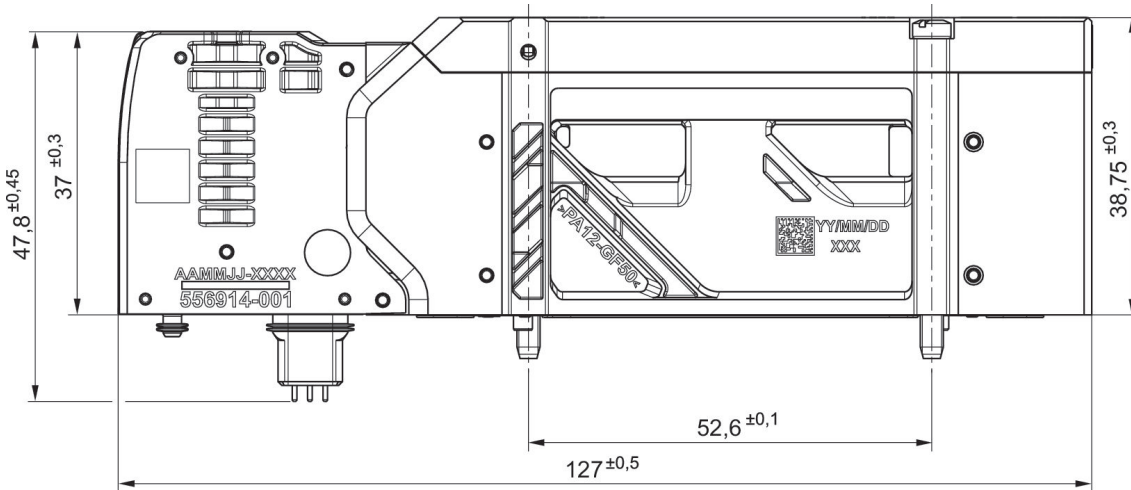
Min. working pressure: -0.95 bar

Max. working pressure: 8 bar



Switching principle	Operational voltage	Pilot	Power consumption DC [W]	Max. working pressure [bar]	Part No.
2x 3/2 NC/NC, with spring return	24 V DC	External	0.55	8	R573A2CD1MACCF1

Dimensions



- 1) with detent
- 2) without detent
- 3) Ports: G 1/8 & NPT 1/8

2x3/2-directional valve, Series XV05, NC/NO, Manual override: without detent, Top connection

Flow: 1000 l/min

Activation: Electrically operated

Min. control pressure: 3 bar

Max. control pressure: 8 bar

Duty cycle: 100 %

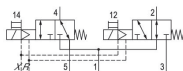
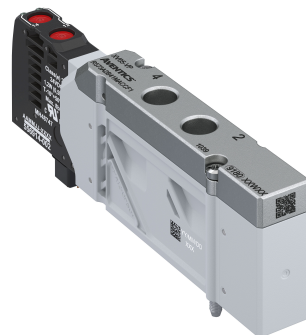
Type: Spool valve, positive overlapping

Min. ambient temperature: -10 °C

Max. ambient temperature: 50 °C

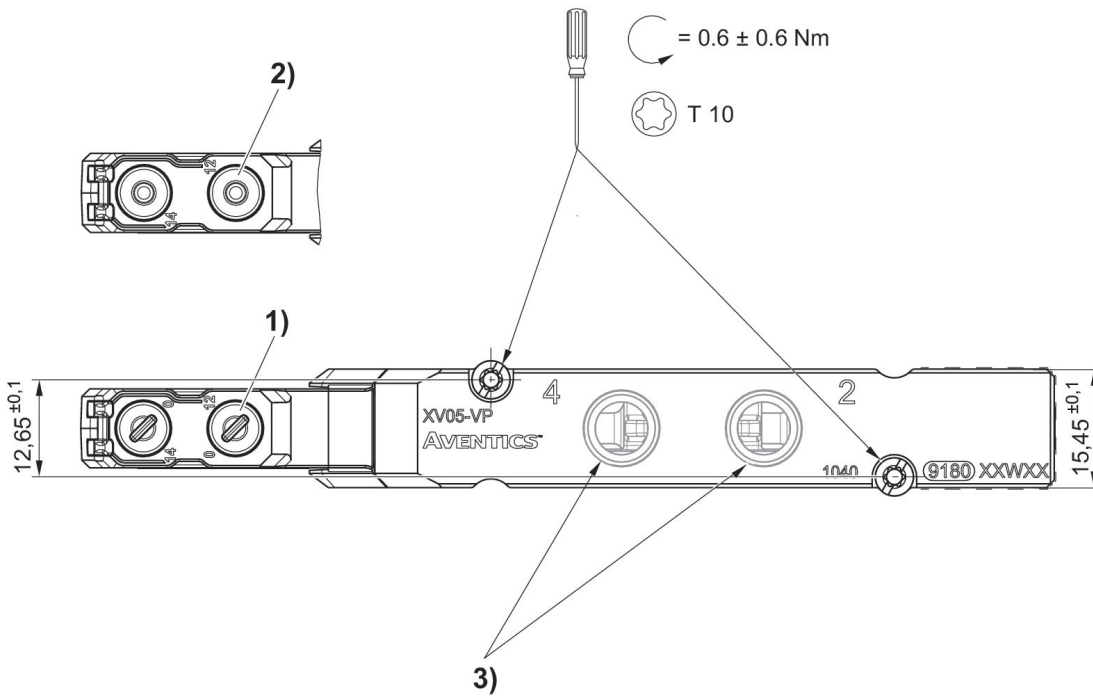
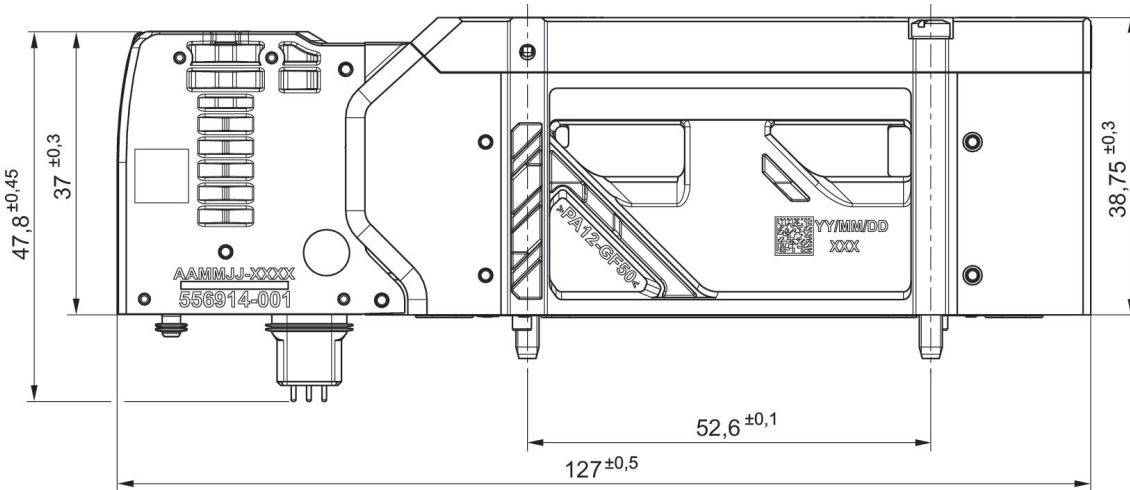
Min. working pressure: -0.95 bar

Max. working pressure: 8 bar



Switching principle	Operational voltage	Pilot	Power consumption DC [W]	Max. working pressure [bar]	Part No.
2x 3/2 NC/NO, with spring return	24 V DC	External	0.55	8	R573A2BF1MACCF1

Dimensions



- 1) with detent
- 2) without detent
- 3) Ports: G 1/8 & NPT 1/8

2x3/2-directional valve, Series XV05, NC/NO, Manual override: detent, Top connection

Flow: 1000 l/min

Activation: Electrically operated

Min. control pressure: 3 bar

Max. control pressure: 8 bar

Duty cycle: 100 %

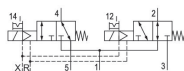
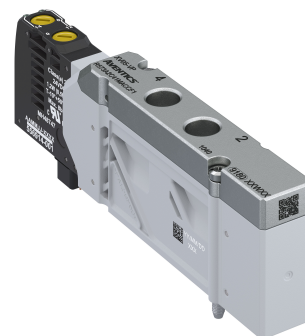
Type: Spool valve, positive overlapping

Min. ambient temperature: -10 °C

Max. ambient temperature: 50 °C

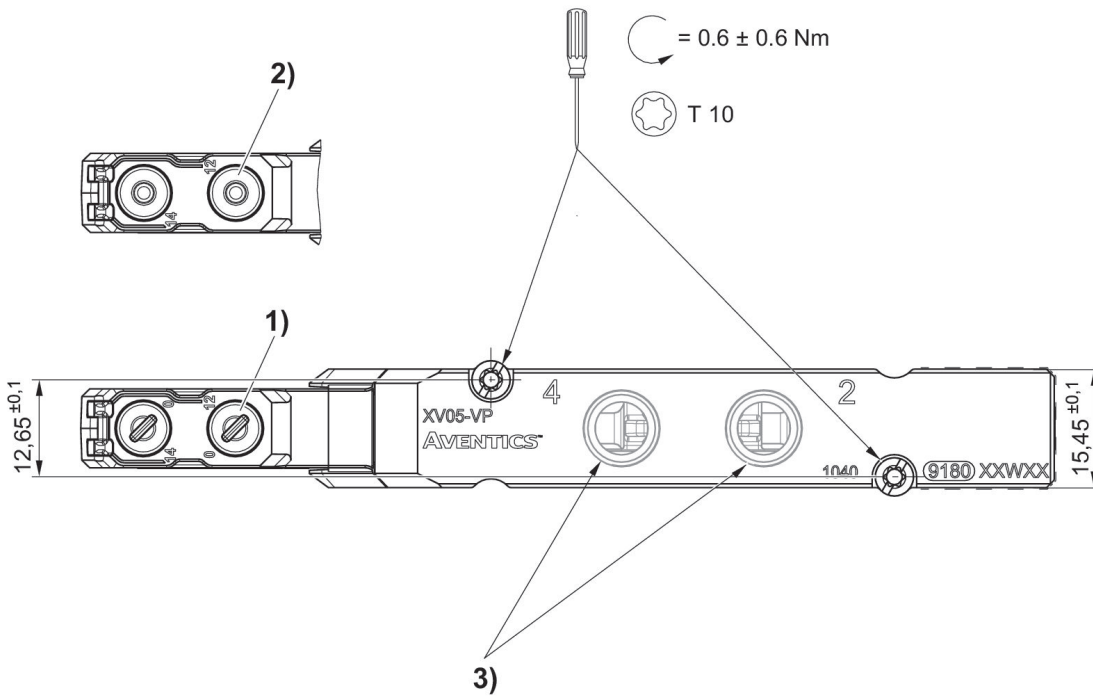
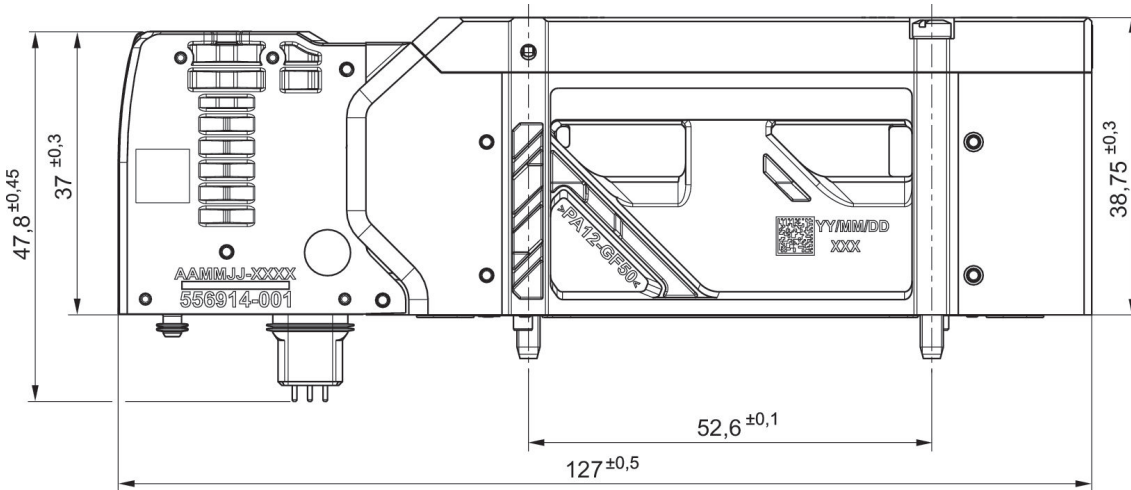
Min. working pressure: -0.95 bar

Max. working pressure: 8 bar



Switching principle	Operational voltage	Pilot	Power consumption DC [W]	Max. working pressure [bar]	Part No.
2x 3/2 NC/NO, with spring return	24 V DC	External	0.55	8	R573A2CF1MACCF1

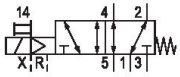
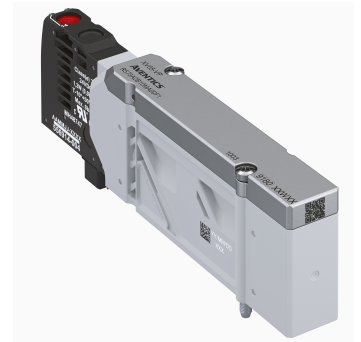
Dimensions



- 1) with detent
- 2) without detent
- 3) Ports: G 1/8 & NPT 1/8

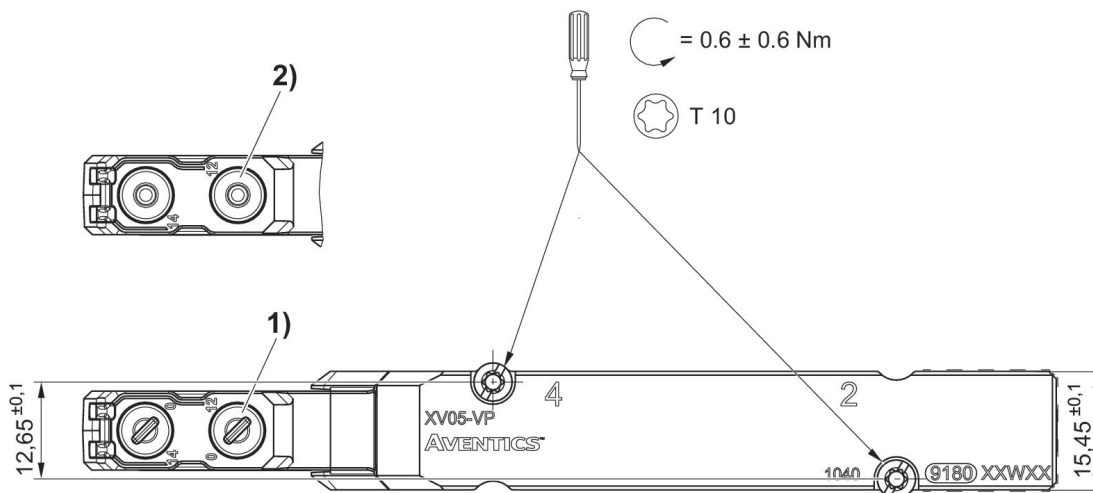
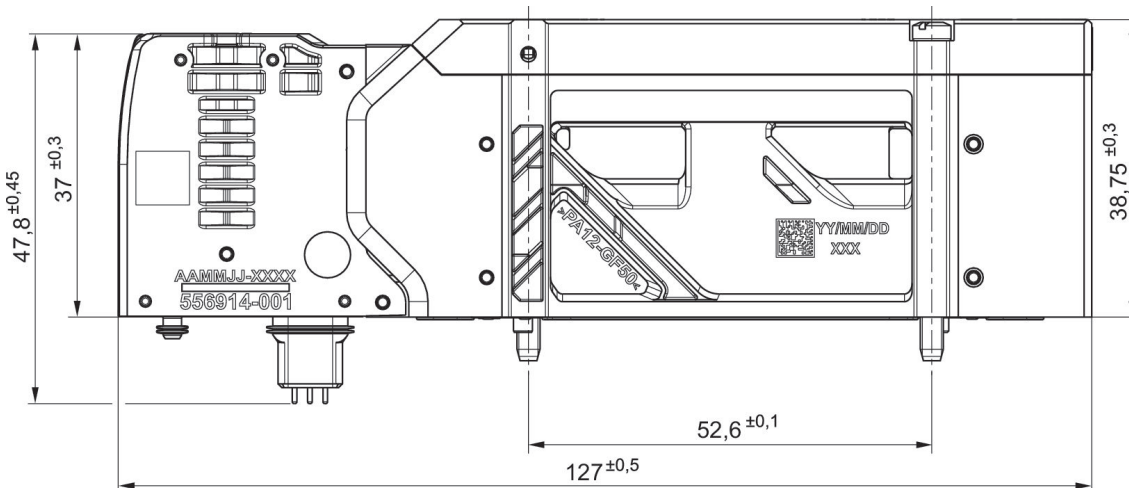
5/2-directional valve, Series XV05, with spring return, manual override: without detent

Flow: 1000 l/min
 Activation: Electrically operated
 Min. control pressure: 3 bar
 Max. control pressure: 8 bar
 Duty cycle: 100 %
 Type: Spool valve, positive overlapping
 Min. ambient temperature: -10 °C
 Max. ambient temperature: 50 °C
 Min. working pressure: -0.95 bar
 Max. working pressure: 8 bar



Switching principle	Operational voltage	Pilot	Power consumption DC [W]	Max. working pressure [bar]	Part No.
5/2, with spring return	24 V DC	External	0.55	8	R573A2B10MA00F1

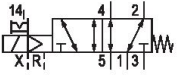
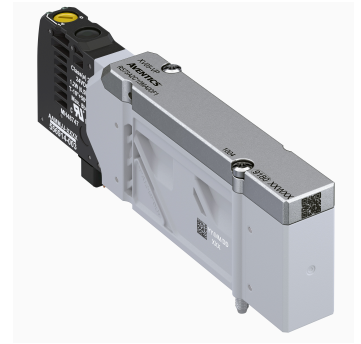
Dimensions



1) with detent
 2) without detent

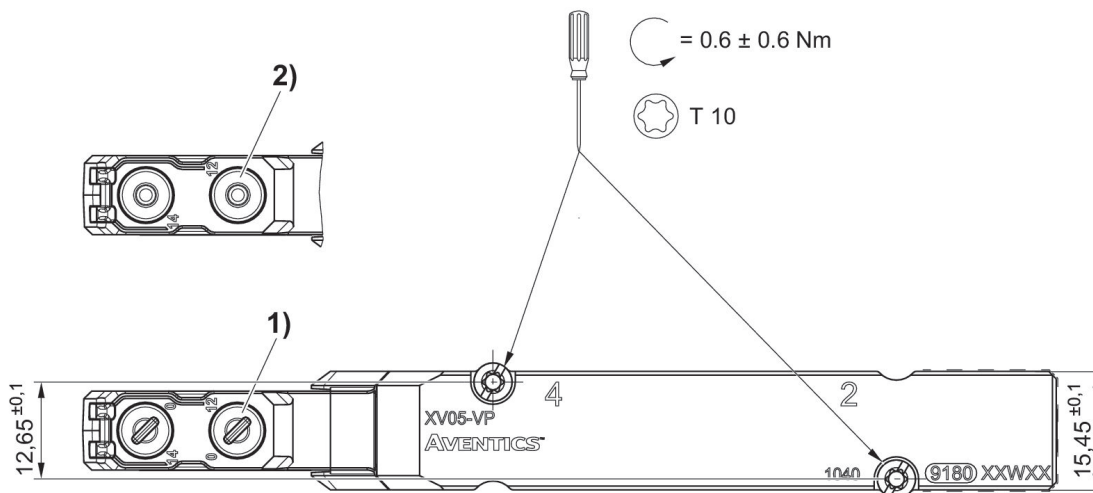
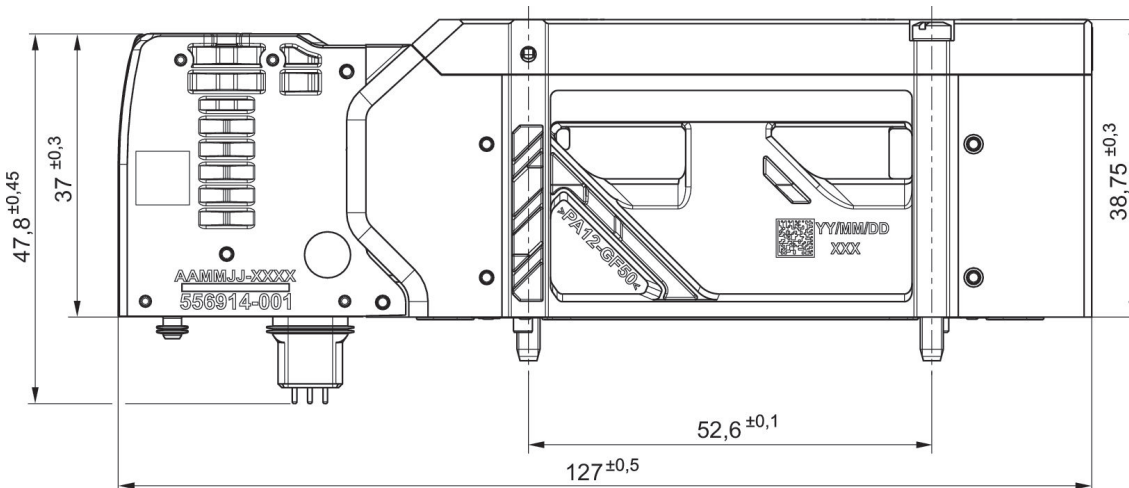
5/2-directional valve, Series XV05, with spring return, Manual override: with detent

Flow: 1000 l/min
 Activation: Electrically operated
 Min. control pressure: 3 bar
 Max. control pressure: 8 bar
 Duty cycle: 100 %
 Type: Spool valve, positive overlapping
 Min. ambient temperature: -10 °C
 Max. ambient temperature: 50 °C
 Min. working pressure: -0.95 bar
 Max. working pressure: 8 bar



Switching principle	Operational voltage	Pilot	Power consumption DC [W]	Max. working pressure [bar]	Part No.
5/2, with spring return	24 V DC	External	0.55	8	R573A2C10MA00F1

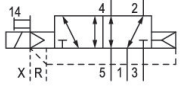
Dimensions



- 1) with detent
- 2) without detent

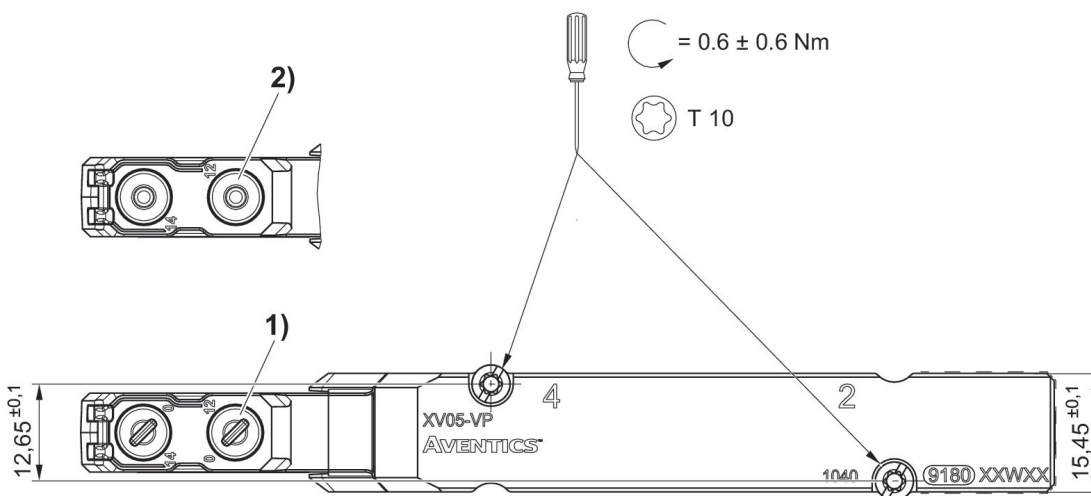
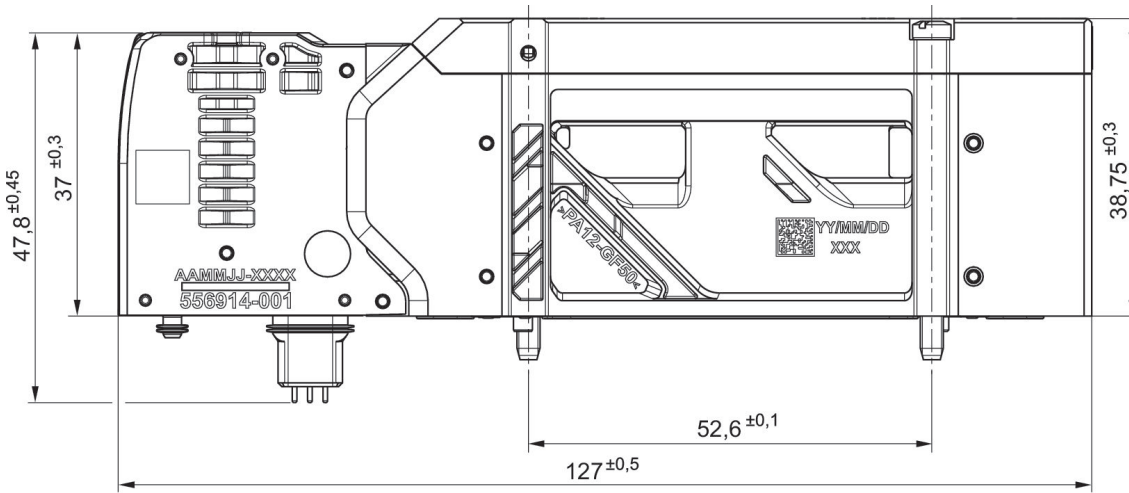
5/2-directional valve, Series XV05, with air spring return, manual override: without detent

Flow: 1000 l/min
 Activation: Electrically operated
 Min. control pressure: 3 bar
 Max. control pressure: 8 bar
 Duty cycle: 100 %
 Type: Spool valve, positive overlapping
 Min. ambient temperature: -10 °C
 Max. ambient temperature: 50 °C
 Max. working pressure: 8 bar



Switching principle	Operational voltage	Pilot	Power consumption DC [W]	Max. working pressure [bar]	Part No.
5/2, with air spring return	24 V DC	External	0.55	8	R573A2BN0MA00F1

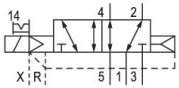
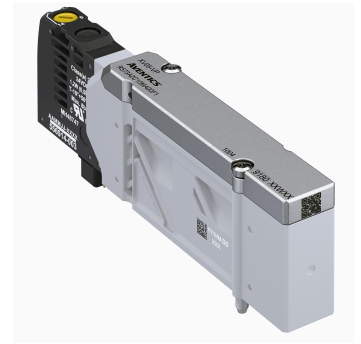
Dimensions



- 1) with detent
- 2) without detent

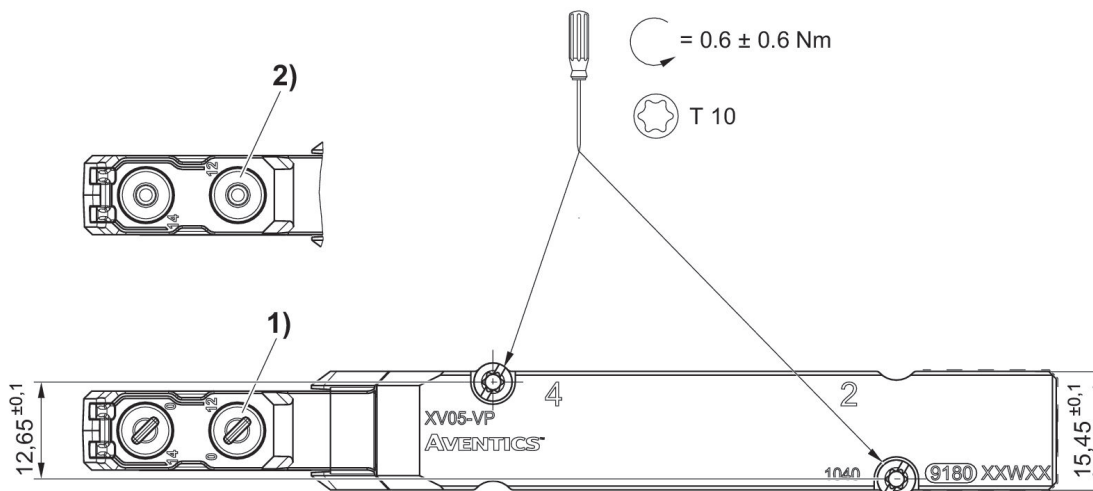
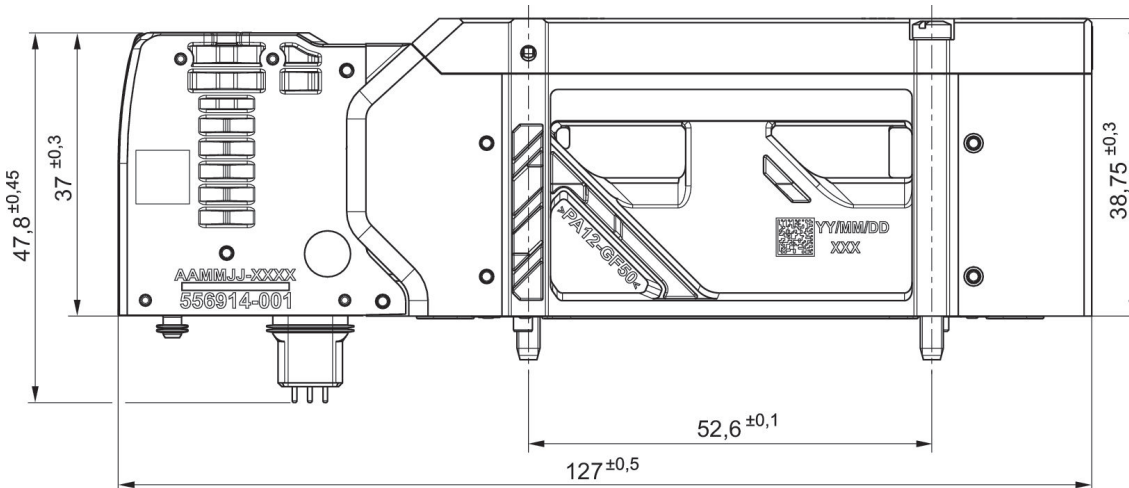
5/2-directional valve, Series XV05, with air spring return, Manual override: with detent

Flow: 1000 l/min
 Activation: Electrically operated
 Min. control pressure: 3 bar
 Max. control pressure: 8 bar
 Duty cycle: 100 %
 Type: Spool valve, positive overlapping
 Min. ambient temperature: -10 °C
 Max. ambient temperature: 50 °C
 Min. working pressure: -0.95 bar
 Max. working pressure: 8 bar



Switching principle	Operational voltage	Pilot	Power consumption DC [W]	Max. working pressure [bar]	Part No.
5/2, with air spring return	24 V DC	External	0.55	8	R573A2CN0MA00F1

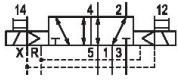
Dimensions



- 1) with detent
- 2) without detent

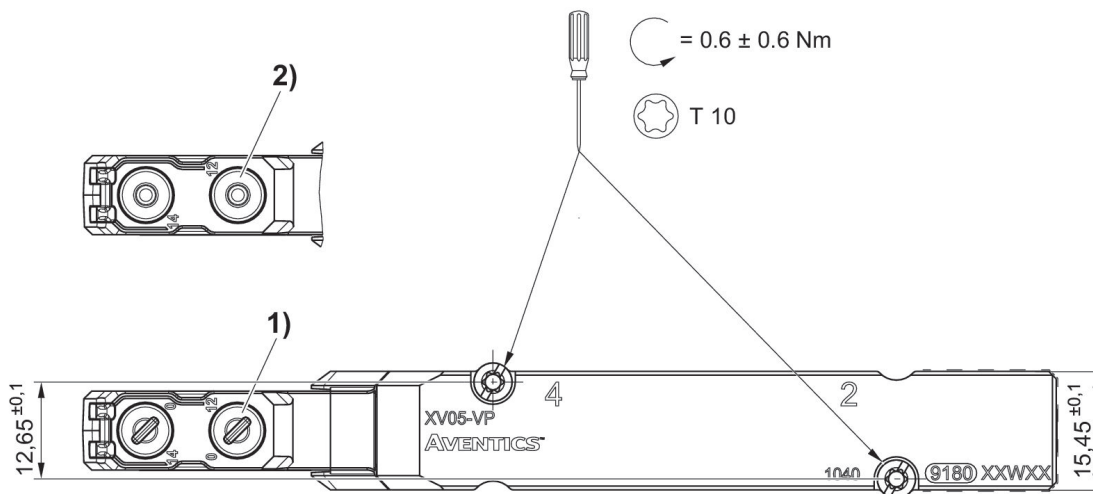
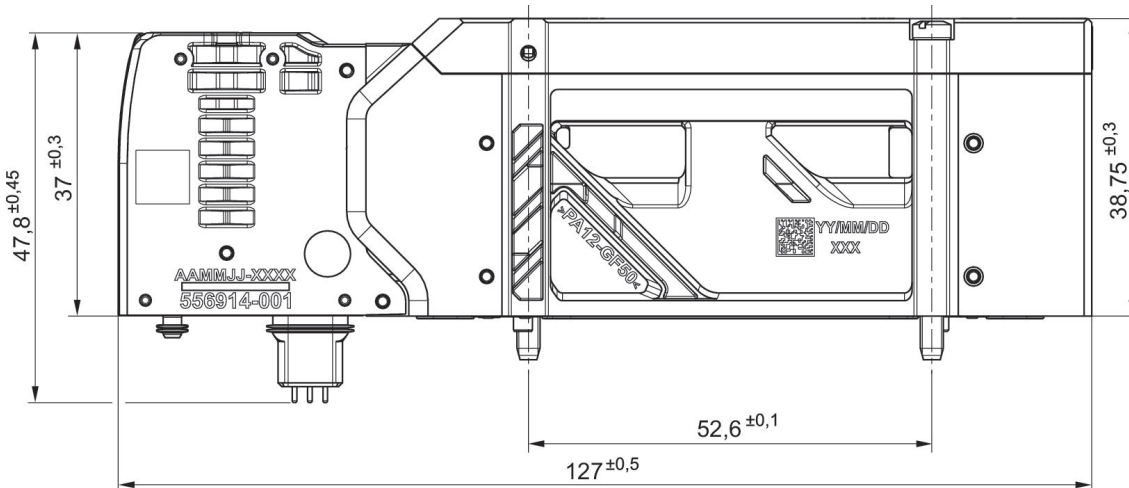
5/2-directional valve, Series XV05, double solenoid, manual override: without detent

Flow: 1000 l/min
 Activation: Electrically operated
 Min. control pressure: 3 bar
 Max. control pressure: 8 bar
 Duty cycle: 100 %
 Type: Spool valve, positive overlapping
 Min. ambient temperature: -10 °C
 Max. ambient temperature: 50 °C
 Min. working pressure: -0.95 bar
 Max. working pressure: 8 bar



Switching principle	Operational voltage	Pilot	Power consumption DC [W]	Max. working pressure [bar]	Part No.
5/2, double solenoid	24 V DC	External	0.55	8	R573A2B40MA00F1

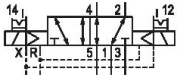
Dimensions



1) with detent
 2) without detent

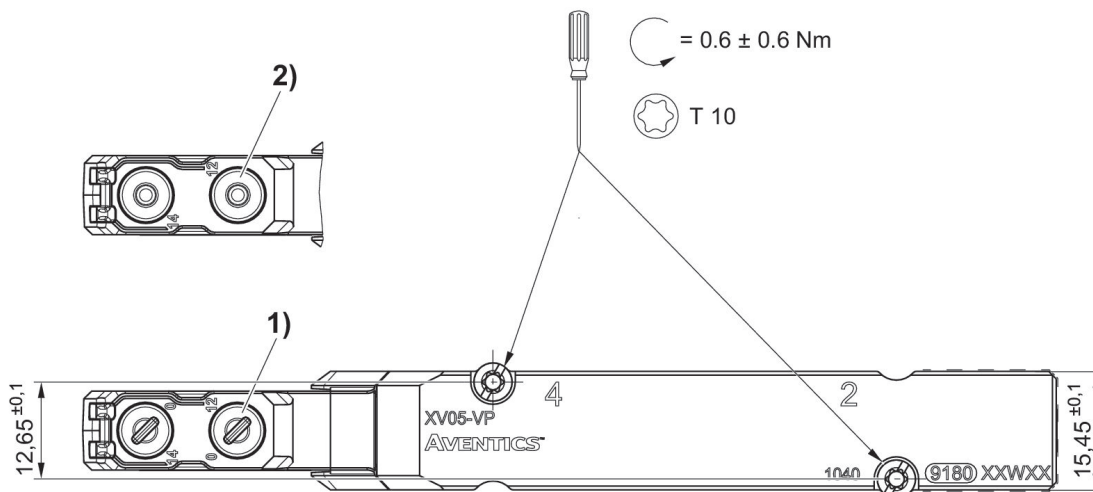
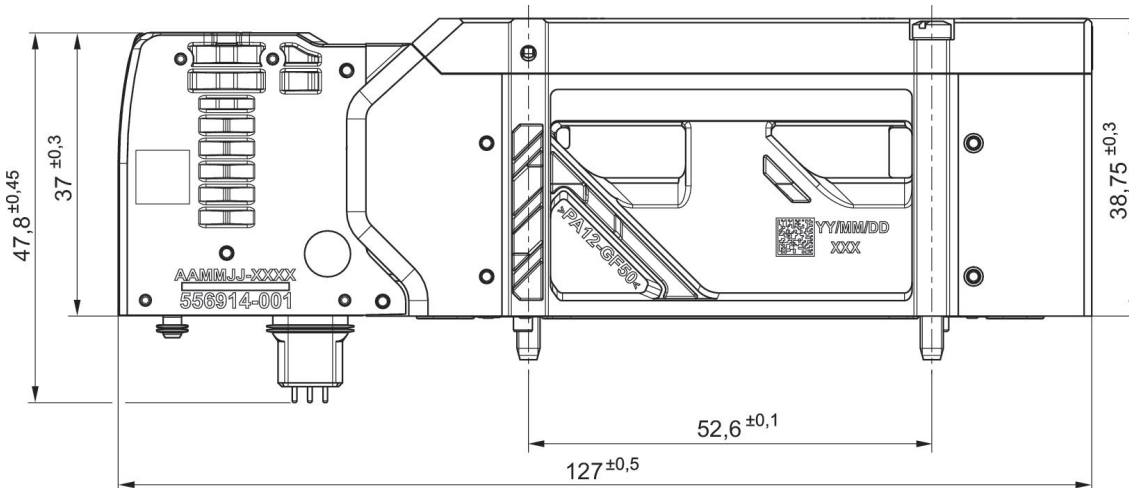
5/2-directional valve, Series XV05, double solenoid, Manual override: with detent

Flow: 1000 l/min
 Activation: Electrically operated
 Min. control pressure: 3 bar
 Max. control pressure: 8 bar
 Duty cycle: 100 %
 Type: Spool valve, positive overlapping
 Min. ambient temperature: -10 °C
 Max. ambient temperature: 50 °C
 Min. working pressure: -0.95 bar
 Max. working pressure: 8 bar



Switching principle	Operational voltage	Pilot	Power consumption DC [W]	Max. working pressure [bar]	Part No.
5/2, double solenoid	24 V DC	External	0.55	8	R573A2C40MA00F1

Dimensions



- 1) with detent
- 2) without detent

5/2-directional valve, Series XV05, with spring return, manual override: without detent, Top connection

Flow: 1000 l/min

Activation: Electrically operated

Min. control pressure: 3 bar

Max. control pressure: 8 bar

Duty cycle: 100 %

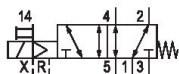
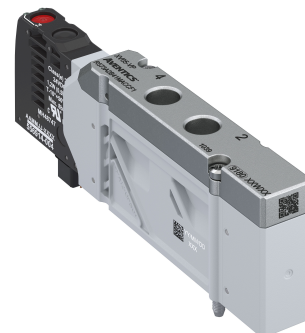
Type: Spool valve, positive overlapping

Min. ambient temperature: -10 °C

Max. ambient temperature: 50 °C

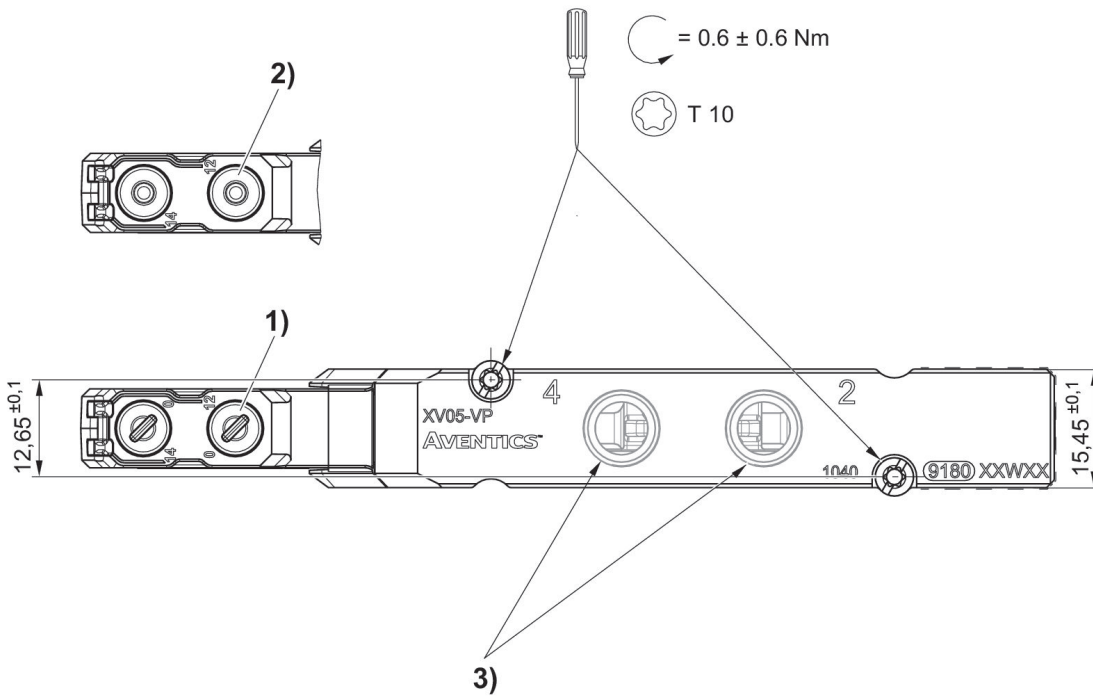
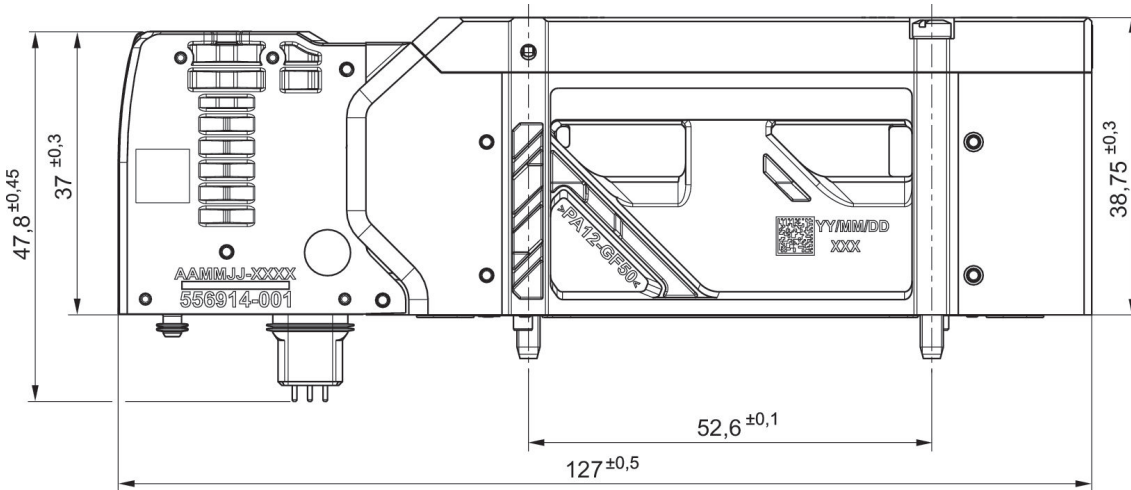
Min. working pressure: -0.95 bar

Max. working pressure: 8 bar



Switching principle	Operational voltage	Pilot	Power consumption DC [W]	Max. working pressure [bar]	Part No.
5/2, with spring return	24 V DC	External	0.55	8	R573A2B11MACCF1

Dimensions



- 1) with detent
- 2) without detent
- 3) Ports: G 1/8 & NPT 1/8

5/2-directional valve, Series XV05, with spring return, Manual override: with detent, Top connection

Flow: 1000 l/min

Activation: Electrically operated

Min. control pressure: 3 bar

Max. control pressure: 8 bar

Duty cycle: 100 %

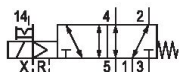
Type: Spool valve, positive overlapping

Min. ambient temperature: -10 °C

Max. ambient temperature: 50 °C

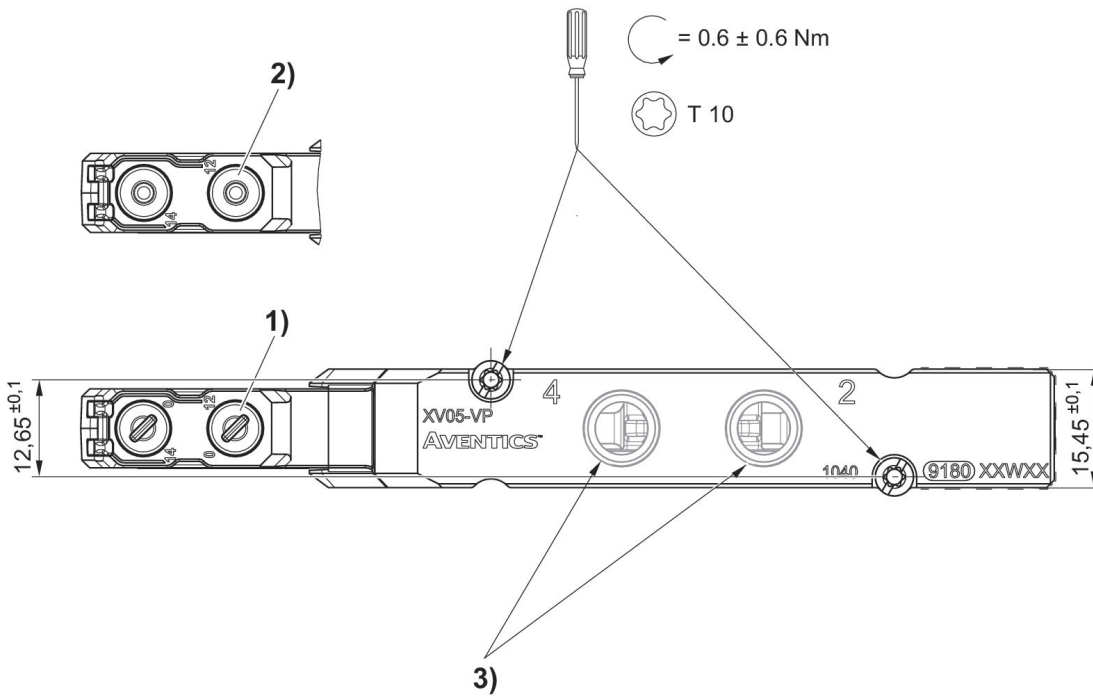
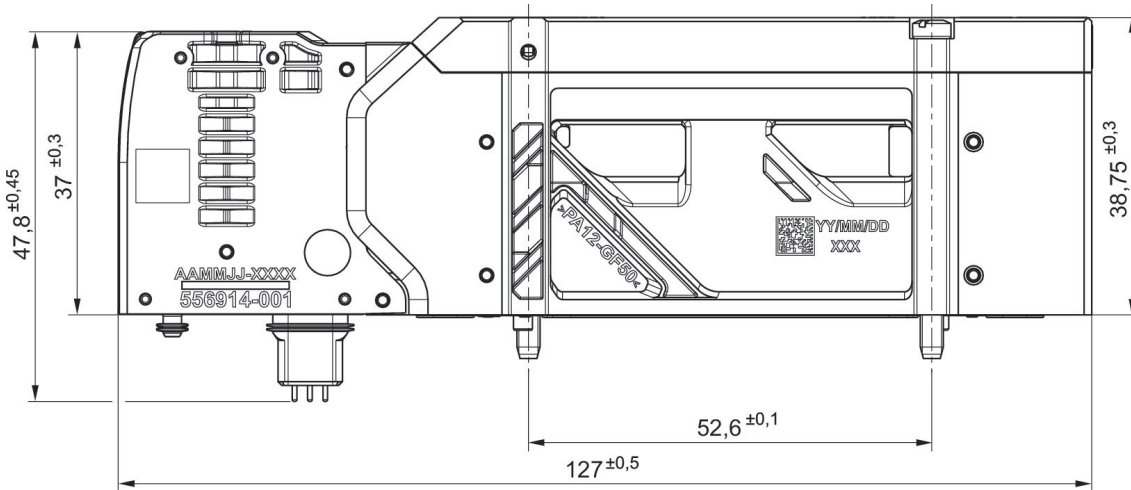
Min. working pressure: -0.95 bar

Max. working pressure: 8 bar



Switching principle	Operational voltage	Pilot	Power consumption DC [W]	Max. working pressure [bar]	Part No.
5/2, with spring return	24 V DC	External	0.55	8	R573A2C11MACCF1

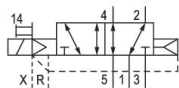
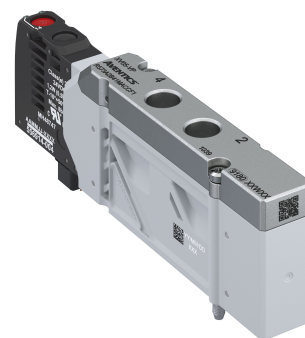
Dimensions



- 1) with detent
- 2) without detent
- 3) Ports: G 1/8 & NPT 1/8

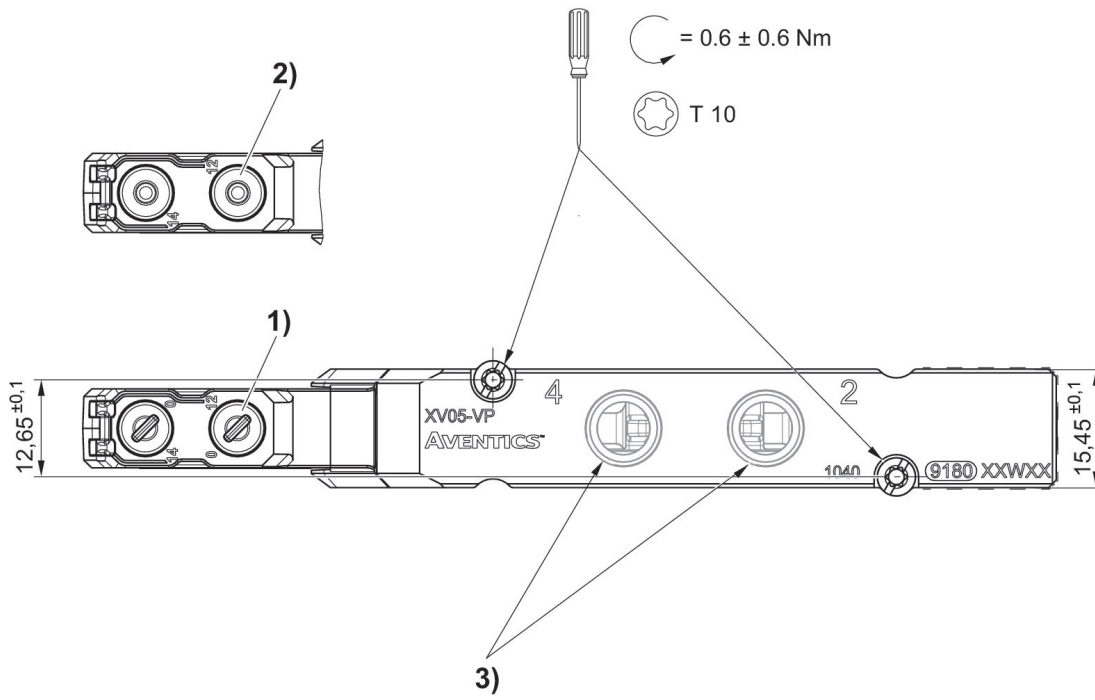
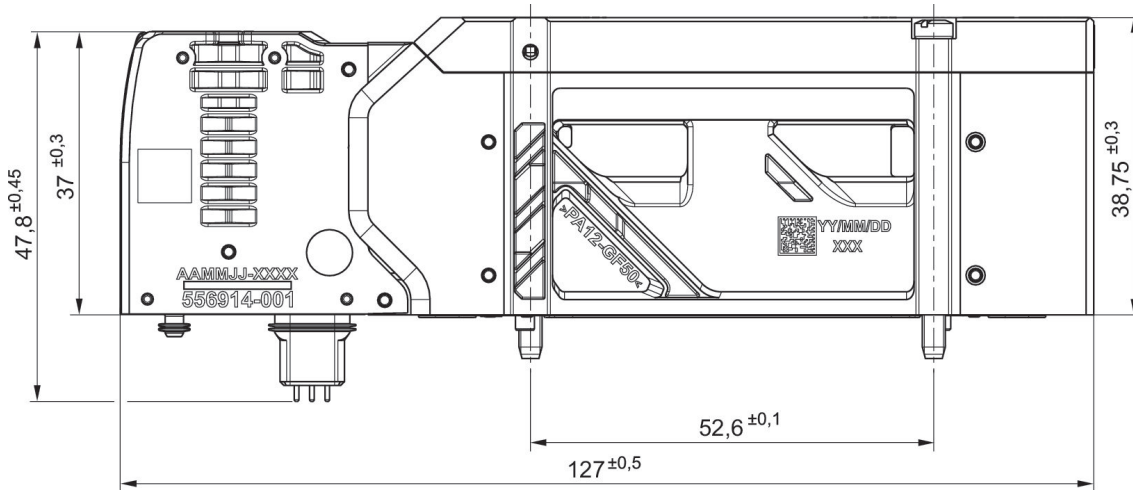
5/2-directional valve, Series XV05, with air spring return, MO: without detent, Top connection

Flow: 1000 l/min
 Activation: Electrically operated
 Min. control pressure: 3 bar
 Max. control pressure: 8 bar
 Duty cycle: 100 %
 Type: Spool valve, positive overlapping
 Min. ambient temperature: -10 °C
 Max. ambient temperature: 50 °C
 Max. working pressure: 8 bar



Switching principle	Operational voltage	Pilot	Power consumption DC [W]	Max. working pressure [bar]	Part No.
5/2, with air spring return	24 V DC	External	0.55	8	R573A2BN1MACCF1

Dimensions



- 1) with detent
- 2) without detent
- 3) Ports: G 1/8 & NPT 1/8

5/2-directional valve, Series XV05, with air spring return, Manual override: with detent, Top connection

Flow: 1000 l/min

Activation: Electrically operated

Min. control pressure: 3 bar

Max. control pressure: 8 bar

Duty cycle: 100 %

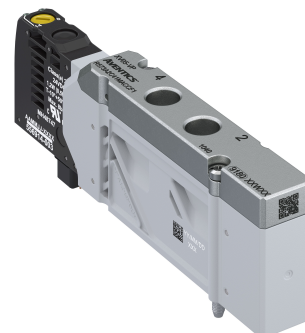
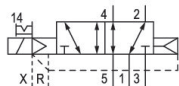
Type: Spool valve, positive overlapping

Min. ambient temperature: -10 °C

Max. ambient temperature: 50 °C

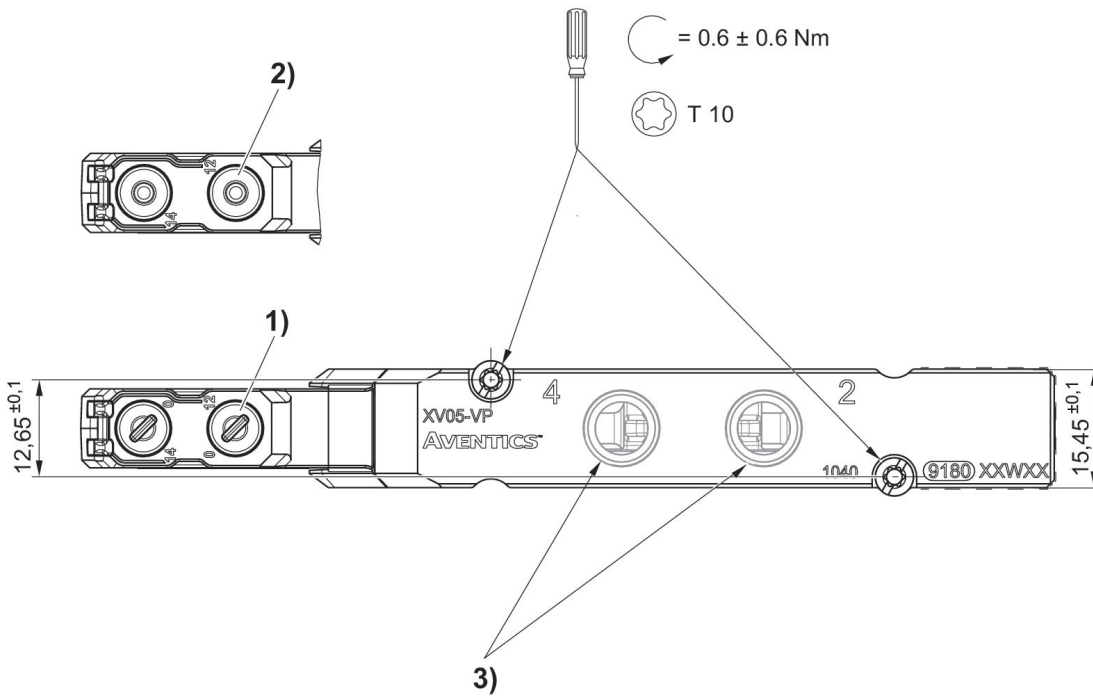
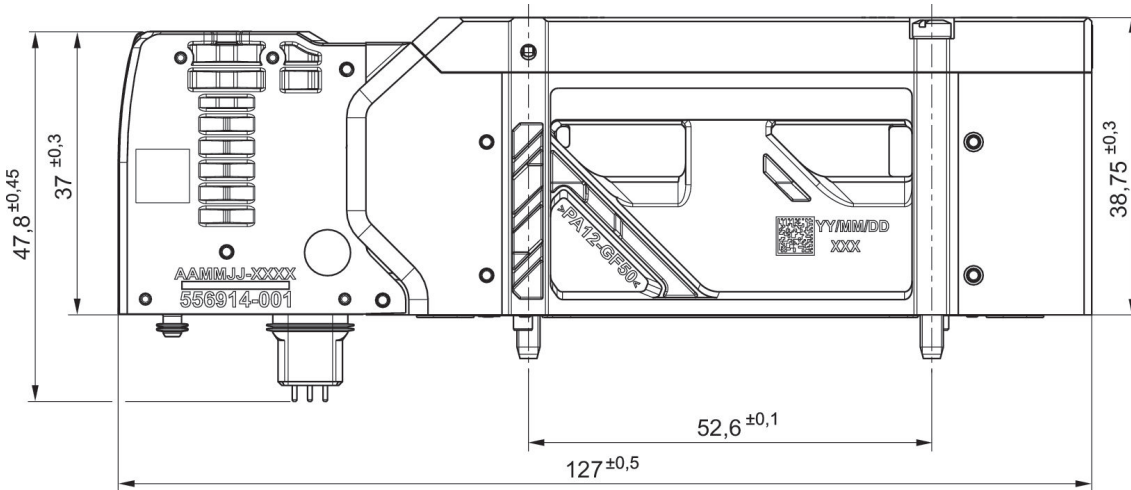
Min. working pressure: -0.95 bar

Max. working pressure: 8 bar



Switching principle	Operational voltage	Pilot	Power consumption DC [W]	Max. working pressure [bar]	Part No.
5/2, with air spring return	24 V DC	External	0.55	8	R573A2CN1MACCF1

Dimensions



- 1) with detent
- 2) without detent
- 3) Ports: G 1/8 & NPT 1/8

5/2-directional valve, Series XV05, double solenoid, manual override: without detent, Top connection

Flow: 1000 l/min

Activation: Electrically operated

Min. control pressure: 3 bar

Max. control pressure: 8 bar

Duty cycle: 100 %

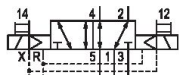
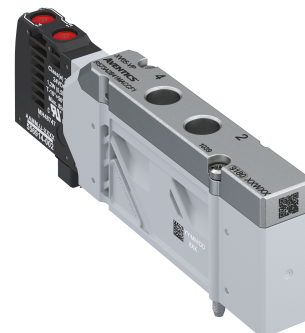
Type: Spool valve, positive overlapping

Min. ambient temperature: -10 °C

Max. ambient temperature: 50 °C

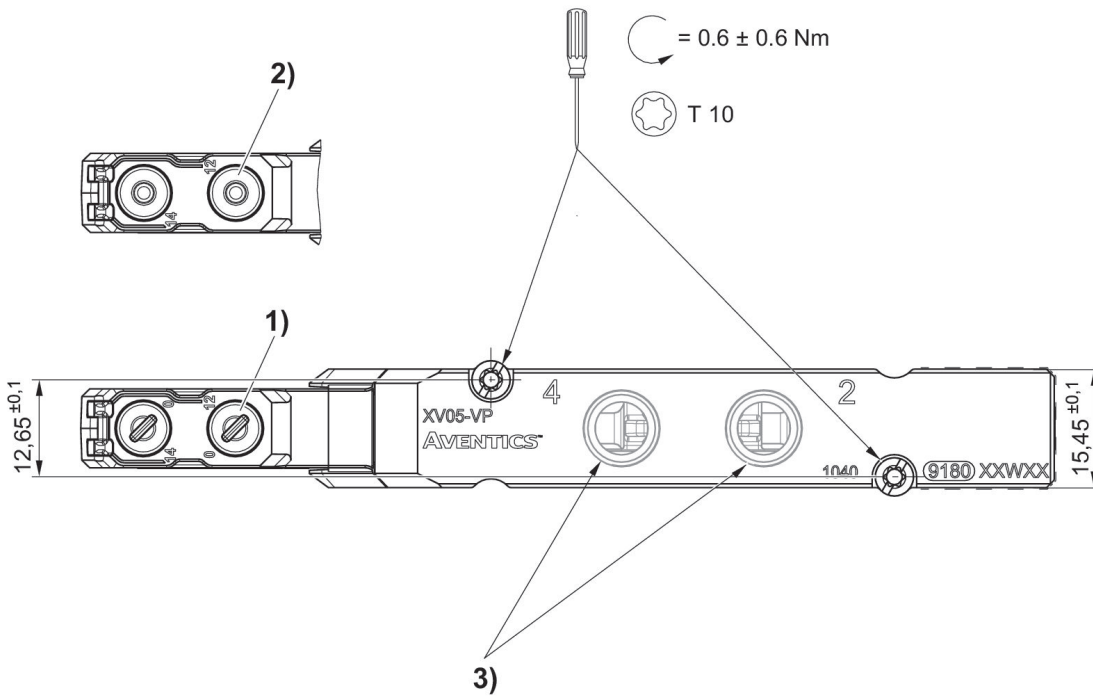
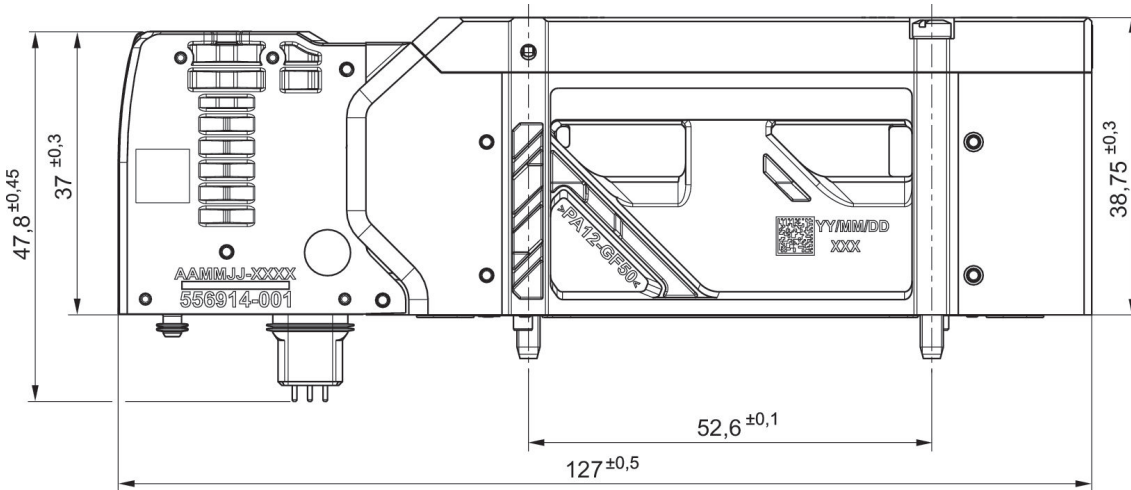
Min. working pressure: -0.95 bar

Max. working pressure: 8 bar



Switching principle	Operational voltage	Pilot	Power consumption DC [W]	Max. working pressure [bar]	Part No.
5/2, double solenoid	24 V DC	External	0.55	8	R573A2B41MACCF1

Dimensions



- 1) with detent
- 2) without detent
- 3) Ports: G 1/8 & NPT 1/8

5/2-directional valve, Series XV05, double solenoid, Manual override: with detent, Top connection

Flow: 1000 l/min

Activation: Electrically operated

Min. control pressure: 3 bar

Max. control pressure: 8 bar

Duty cycle: 100 %

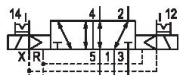
Type: Spool valve, positive overlapping

Min. ambient temperature: -10 °C

Max. ambient temperature: 50 °C

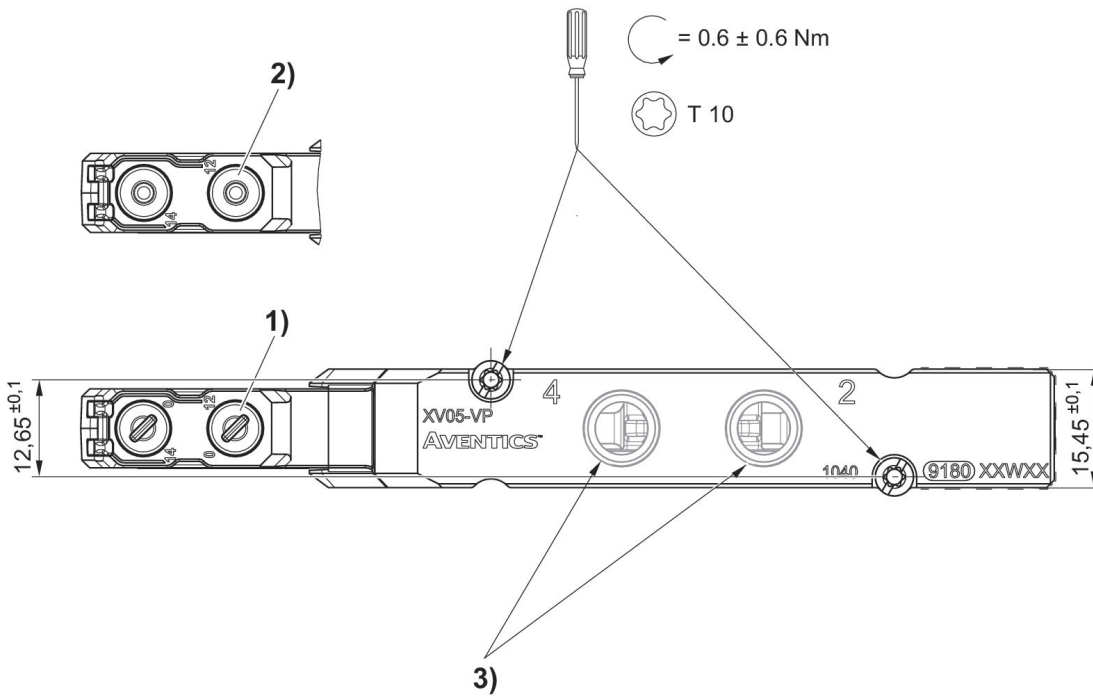
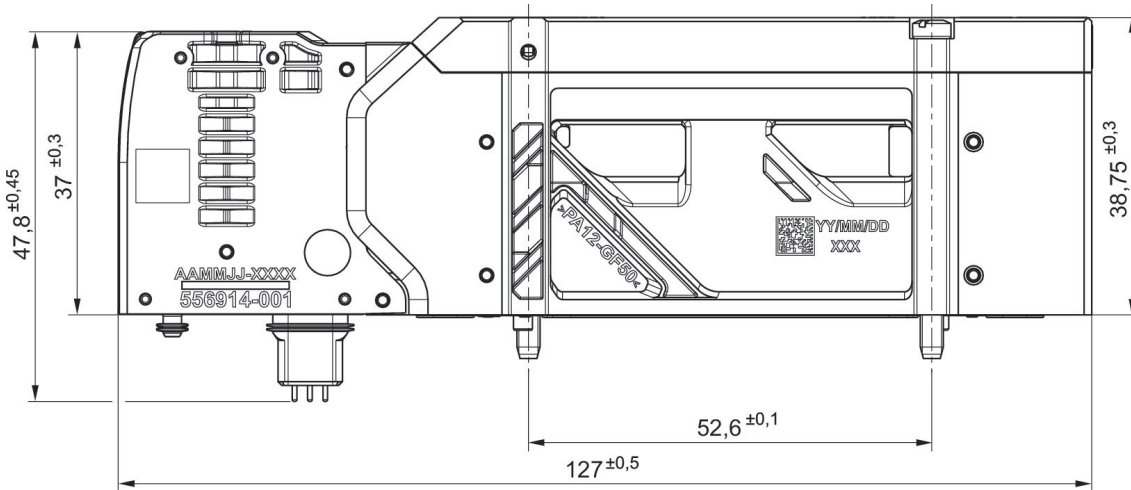
Min. working pressure: -0.95 bar

Max. working pressure: 8 bar



Switching principle	Operational voltage	Pilot	Power consumption DC [W]	Max. working pressure [bar]	Part No.
5/2, double solenoid	24 V DC	External	0.55	8	R573A2C41MACCF1

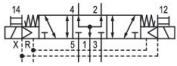
Dimensions



- 1) with detent
- 2) without detent
- 3) Ports: G 1/8 & NPT 1/8

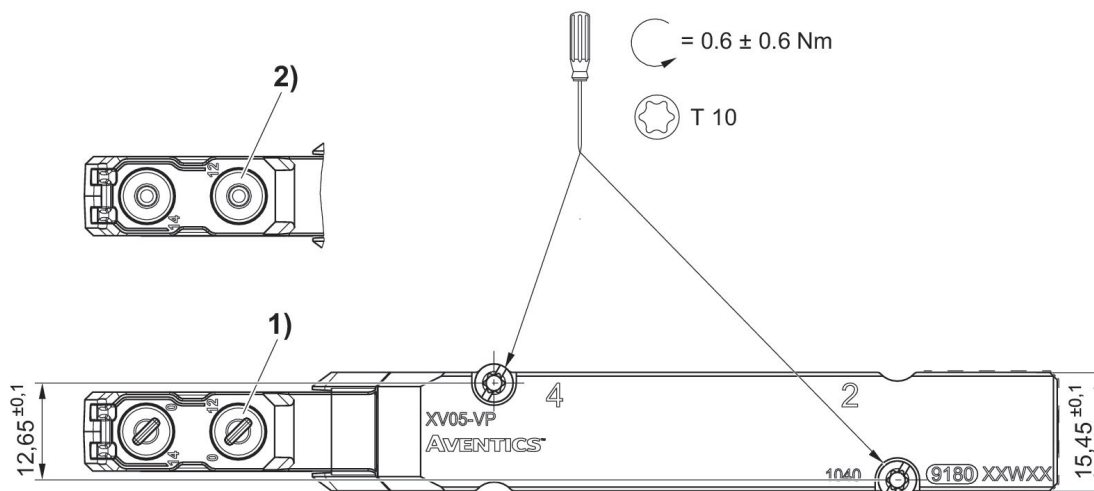
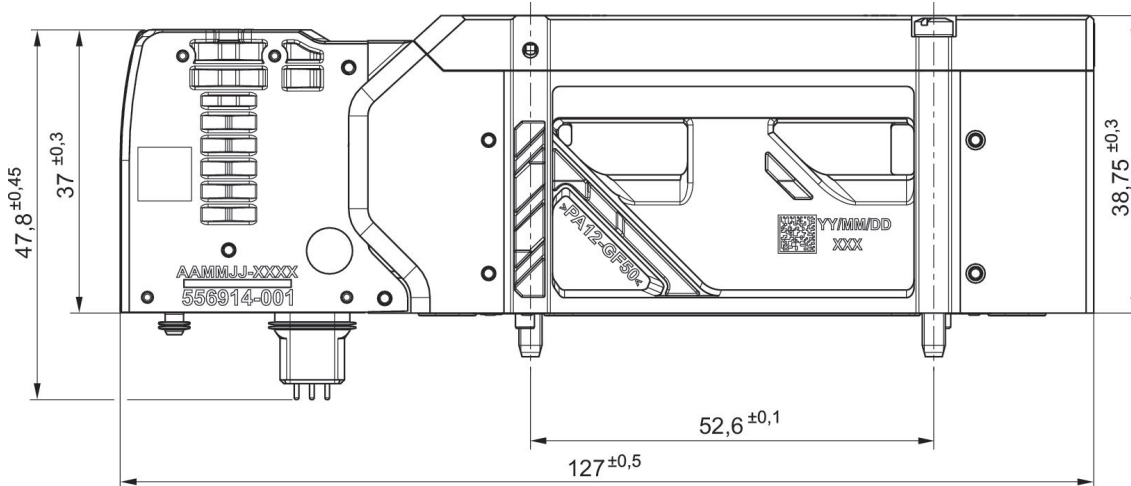
5/3-directional valve, Series XV05, pressurized center, manual override: without detent

Flow: 1000 l/min
 Activation: Electrically operated
 Min. control pressure: 3 bar
 Max. control pressure: 8 bar
 Duty cycle: 100 %
 Type: Spool valve, positive overlapping
 Min. ambient temperature: -10 °C
 Max. ambient temperature: 50 °C
 Min. working pressure: -0.95 bar
 Max. working pressure: 8 bar



Switching principle	Operational voltage	Pilot	Power consumption DC [W]	Max. working pressure [bar]	Part No.
5/3, pressurized center	24 V DC	External	0.55	8	R573A2B50MA00F1

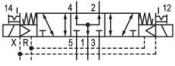
Dimensions



- 1) with detent
- 2) without detent

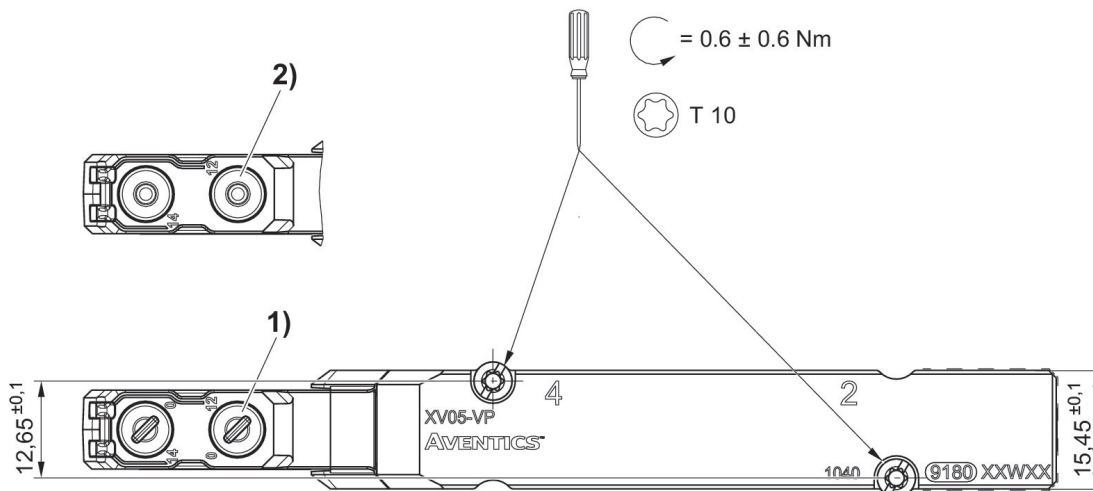
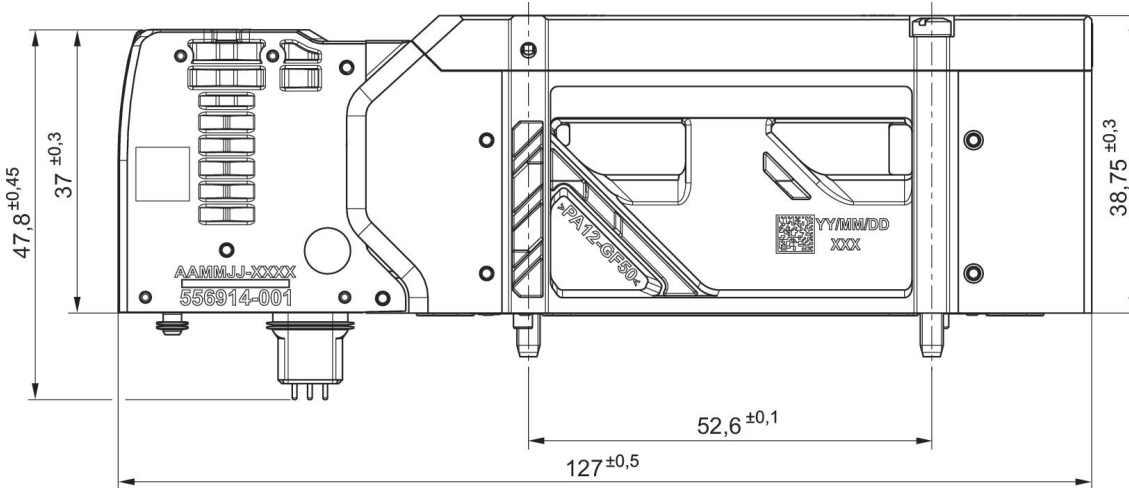
5/3-directional valve, Series XV05, pressurized center, Manual override: with detent

Flow: 1000 l/min
 Activation: Electrically operated
 Min. control pressure: 3 bar
 Max. control pressure: 8 bar
 Duty cycle: 100 %
 Type: Spool valve, positive overlapping
 Min. ambient temperature: -10 °C
 Max. ambient temperature: 50 °C
 Min. working pressure: -0.95 bar
 Max. working pressure: 8 bar



Switching principle	Operational voltage	Pilot	Power consumption DC [W]	Max. working pressure [bar]	Part No.
5/3, pressurized center	24 V DC	External	0.55	8	R573A2C50MA00F1

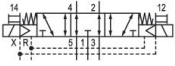
Dimensions



- 1) with detent
- 2) without detent

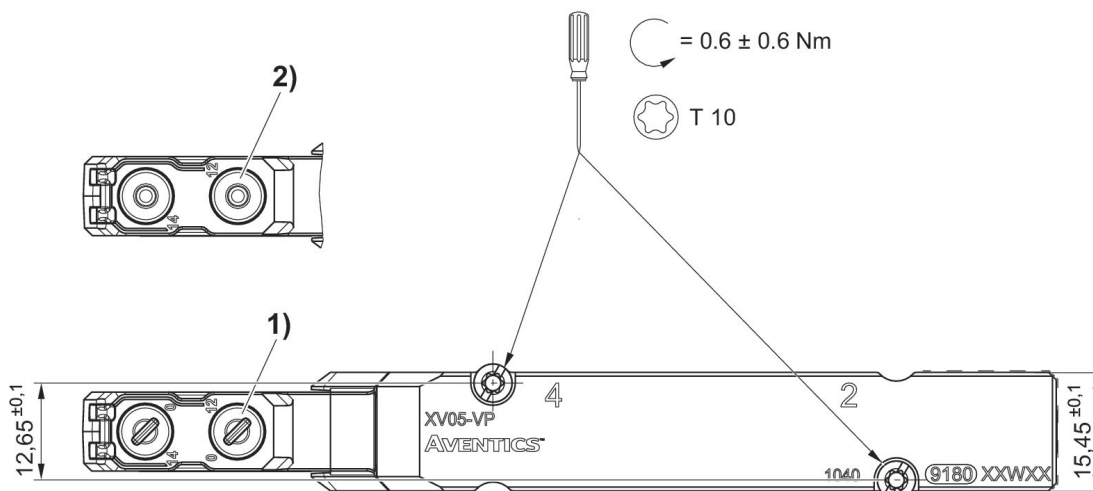
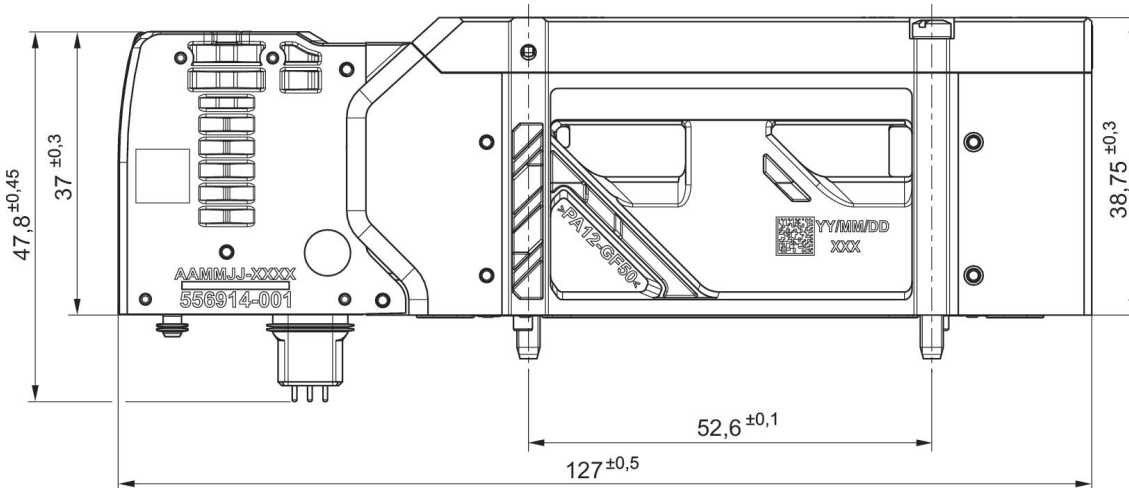
5/3-directional valve, Series XV05, exhausted center, manual override: without detent

Flow: 1000 l/min
 Activation: Electrically operated
 Min. control pressure: 3 bar
 Max. control pressure: 8 bar
 Duty cycle: 100 %
 Type: Spool valve, positive overlapping
 Min. ambient temperature: -10 °C
 Max. ambient temperature: 50 °C
 Min. working pressure: -0.95 bar
 Max. working pressure: 8 bar



Switching principle	Operational voltage	Pilot	Power consumption DC [W]	Max. working pressure [bar]	Part No.
5/3, exhausted center	24 V DC	External	0.55	8	R573A2B70MA00F1

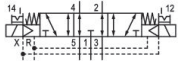
Dimensions



- 1) with detent
- 2) without detent

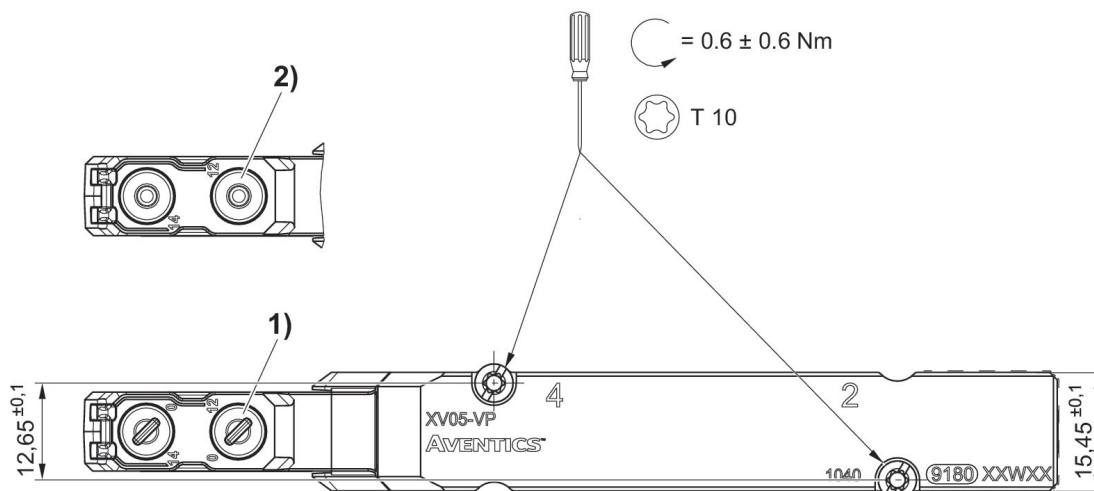
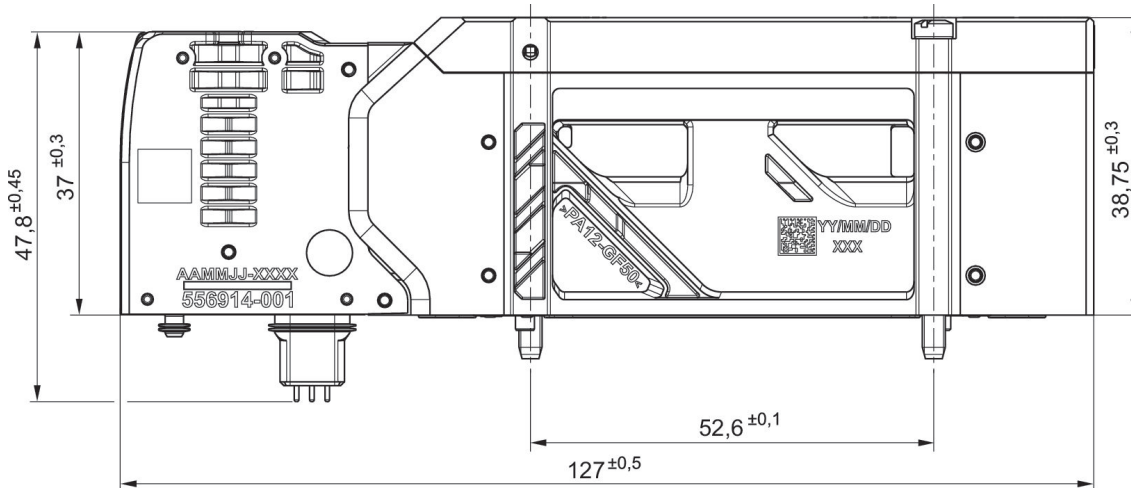
5/3-directional valve, Series XV05, Exhausted Center, Manual override: with detent

Flow: 1000 l/min
 Activation: Electrically operated
 Min. control pressure: 3 bar
 Max. control pressure: 8 bar
 Duty cycle: 100 %
 Type: Spool valve, positive overlapping
 Min. ambient temperature: -10 °C
 Max. ambient temperature: 50 °C
 Min. working pressure: -0.95 bar
 Max. working pressure: 8 bar



Switching principle	Operational voltage	Pilot	Power consumption DC [W]	Max. working pressure [bar]	Part No.
5/3, exhausted center	24 V DC	External	0.55	8	R573A2C70MA00F1

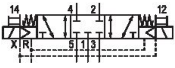
Dimensions



- 1) with detent
- 2) without detent

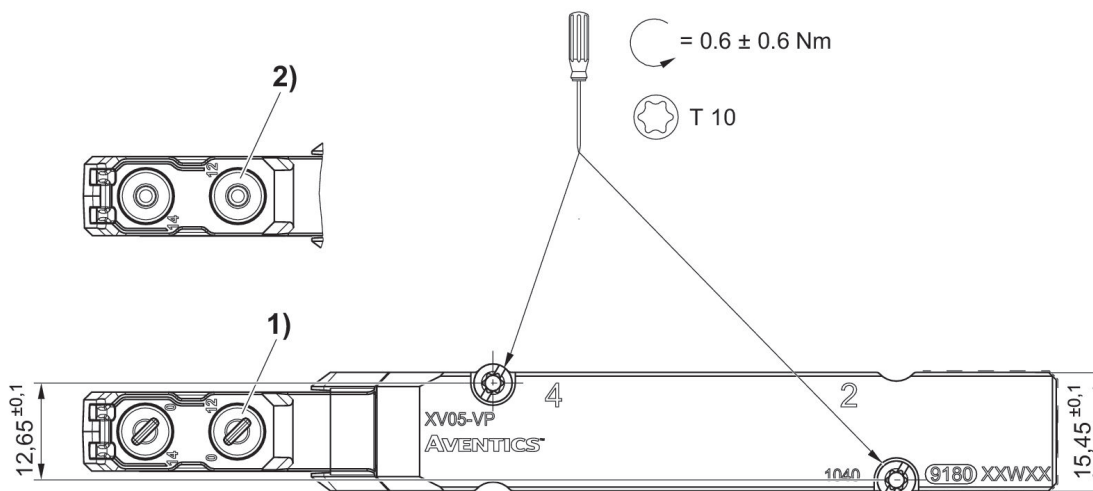
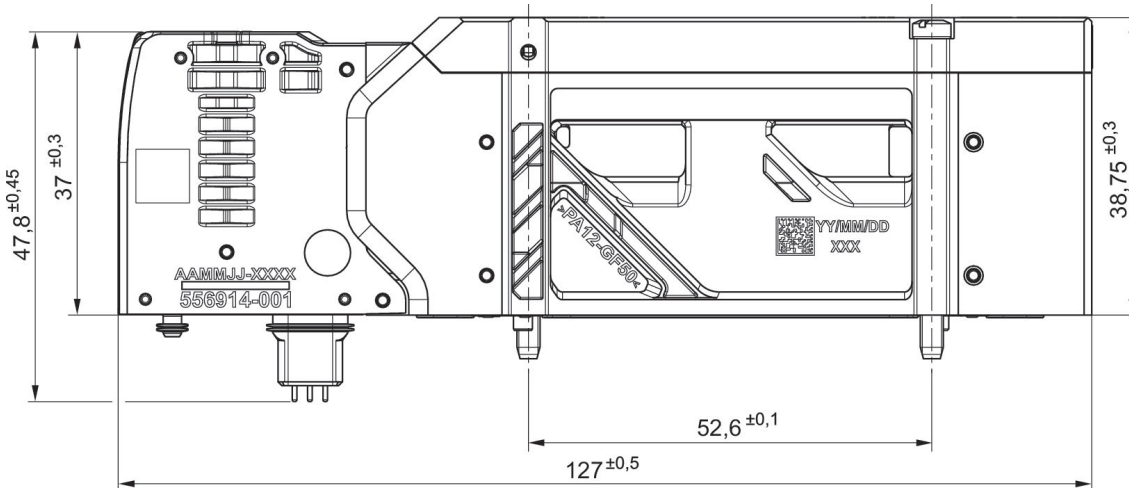
5/3-directional valve, Series XV05, closed center, manual override: without detent

Flow: 1000 l/min
 Activation: Electrically operated
 Min. control pressure: 3 bar
 Max. control pressure: 8 bar
 Duty cycle: 100 %
 Type: Spool valve, positive overlapping
 Min. ambient temperature: -10 °C
 Max. ambient temperature: 50 °C
 Min. working pressure: -0.95 bar
 Max. working pressure: 8 bar



Switching principle	Operational voltage	Pilot	Power consumption DC [W]	Max. working pressure [bar]	Part No.
5/3, closed center	24 V DC	External	0.55	8	R573A2B60MA00F1

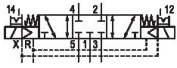
Dimensions



- 1) with detent
- 2) without detent

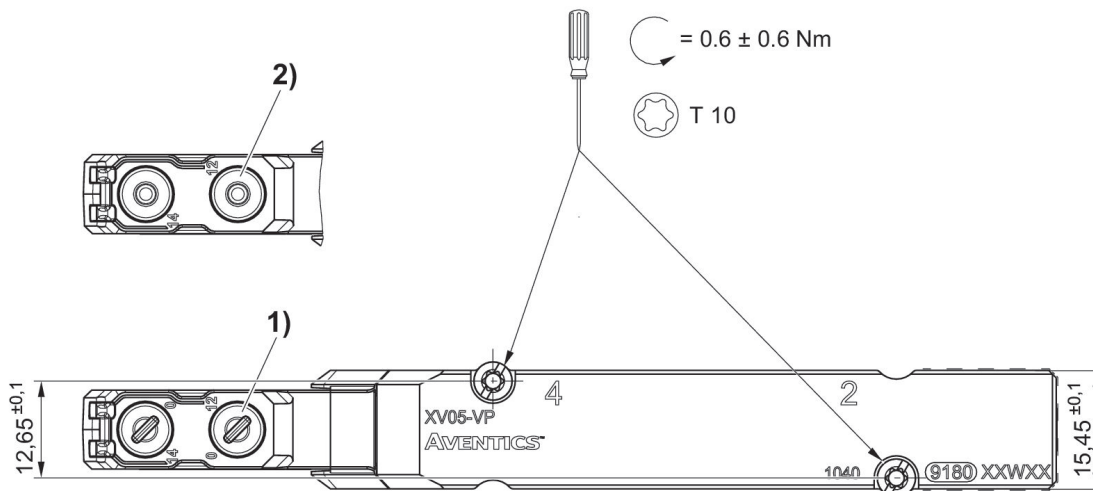
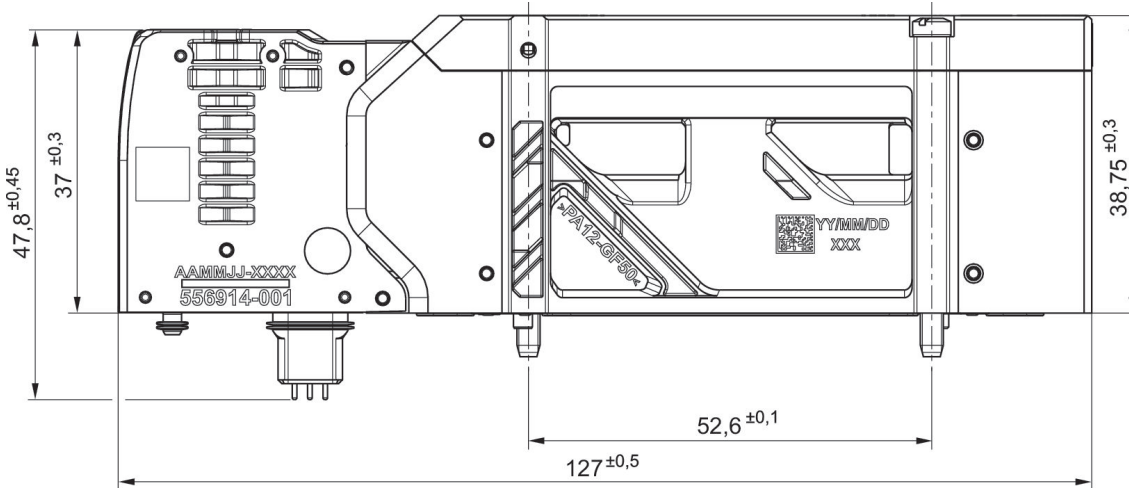
5/3-directional valve, Series XV05, closed center, Manual override: with detent

Flow: 1000 l/min
 Activation: Electrically operated
 Min. control pressure: 3 bar
 Max. control pressure: 8 bar
 Duty cycle: 100 %
 Type: Spool valve, positive overlapping
 Min. ambient temperature: -10 °C
 Max. ambient temperature: 50 °C
 Min. working pressure: -0.95 bar
 Max. working pressure: 8 bar



Switching principle	Operational voltage	Pilot	Power consumption DC [W]	Max. working pressure [bar]	Part No.
5/3, closed center	24 V DC	External	0.55	8	R573A2C60MA00F1

Dimensions



- 1) with detent
- 2) without detent

5/3-directional valve, Series XV05, pressurized center, manual override: without detent, Top connection

Flow: 1000 l/min

Activation: Electrically operated

Min. control pressure: 3 bar

Max. control pressure: 8 bar

Duty cycle: 100 %

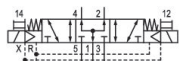
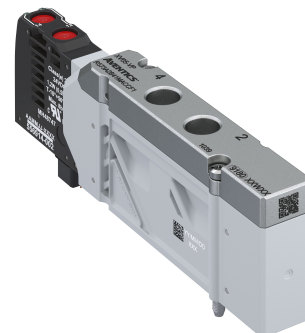
Type: Spool valve, positive overlapping

Min. ambient temperature: -10 °C

Max. ambient temperature: 50 °C

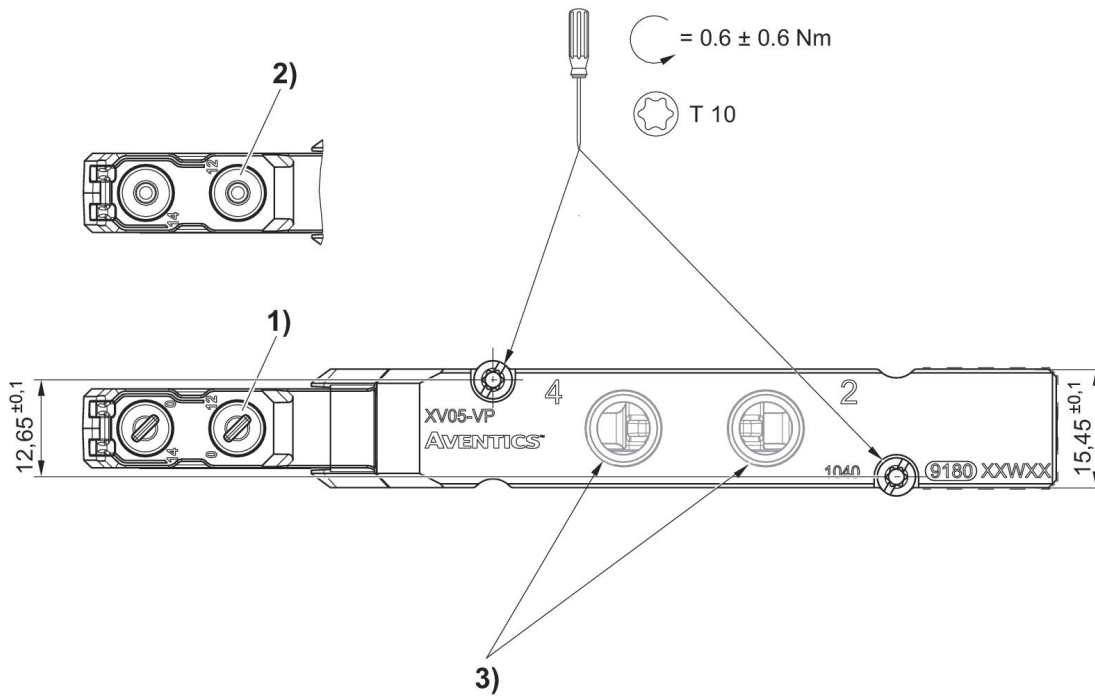
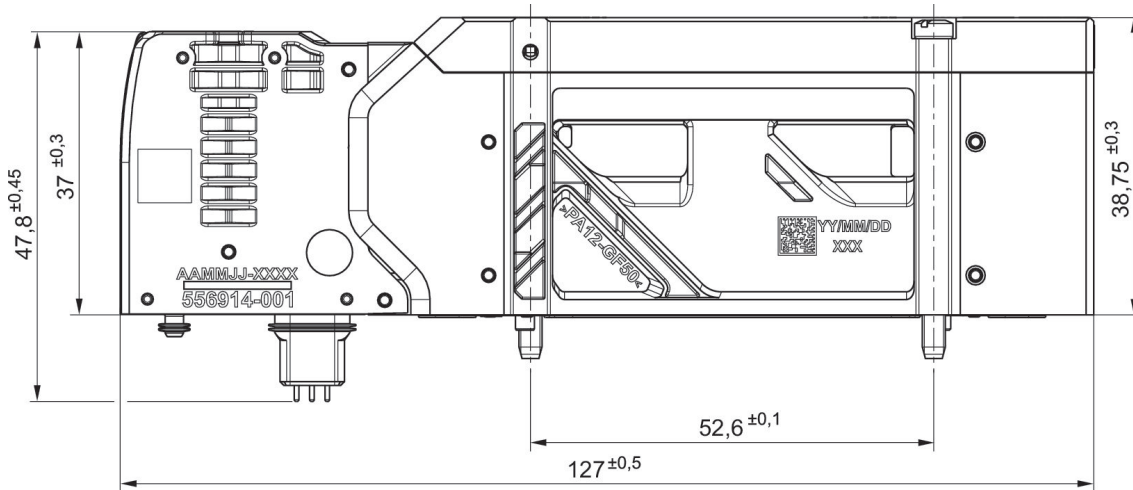
Min. working pressure: -0.95 bar

Max. working pressure: 8 bar



Switching principle	Operational voltage	Pilot	Power consumption DC [W]	Max. working pressure [bar]	Part No.
5/3, pressurized center	24 V DC	External	0.55	8	R573A2B51MACCF1

Dimensions



- 1) with detent
- 2) without detent
- 3) Ports: G 1/8 & NPT 1/8

5/3-directional valve, Series XV05, pressurized center, Manual override: with detent

Flow: 1000 l/min

Activation: Electrically operated

Min. control pressure: 3 bar

Max. control pressure: 8 bar

Duty cycle: 100 %

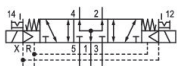
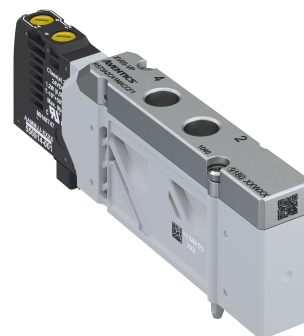
Type: Spool valve, positive overlapping

Min. ambient temperature: -10 °C

Max. ambient temperature: 50 °C

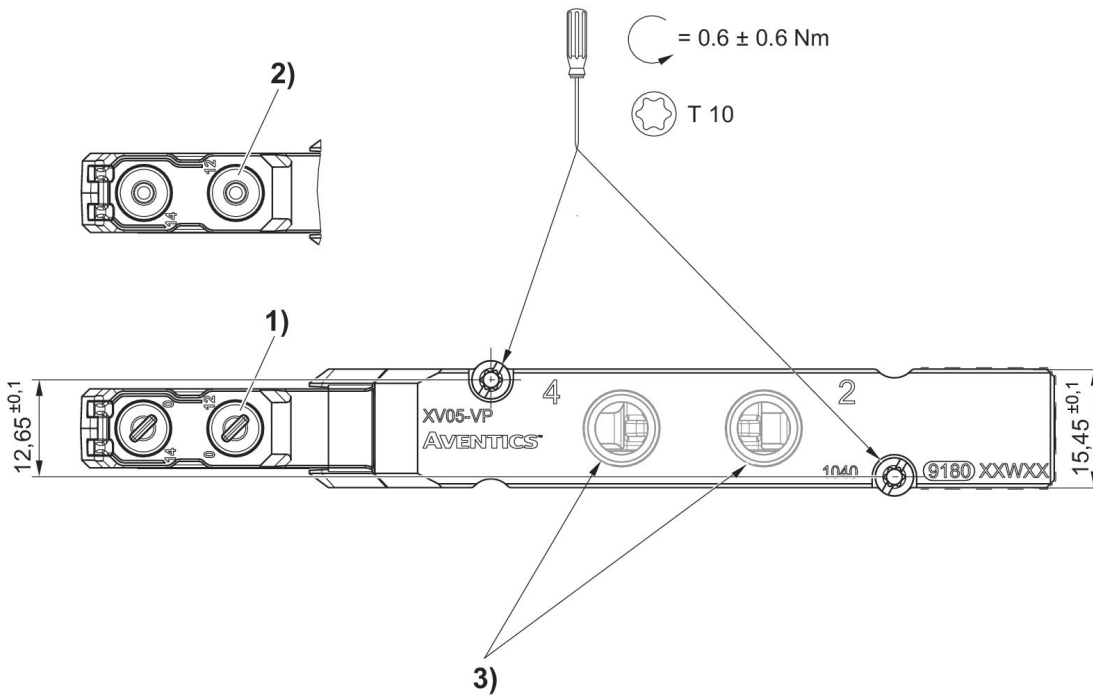
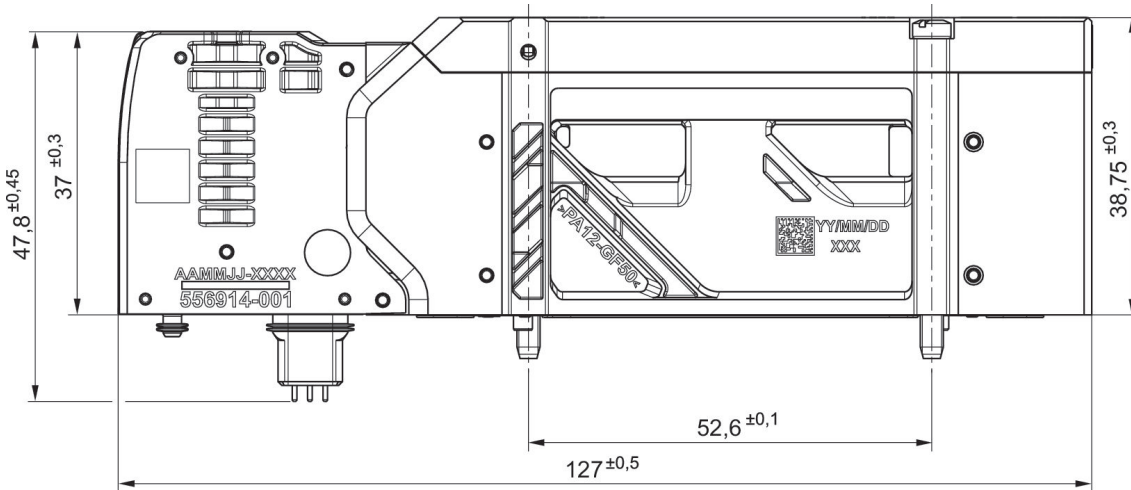
Min. working pressure: -0.95 bar

Max. working pressure: 8 bar



Switching principle	Operational voltage	Pilot	Power consumption DC [W]	Max. working pressure [bar]	Part No.
5/3, pressurized center	24 V DC	External	0.55	8	R573A2C51MACCF1

Dimensions



- 1) with detent
- 2) without detent
- 3) Ports: G 1/8 & NPT 1/8

5/3-directional valve, Series XV05, exhausted center, manual override: without detent, Top connection

Flow: 1000 l/min

Activation: Electrically operated

Min. control pressure: 3 bar

Max. control pressure: 8 bar

Duty cycle: 100 %

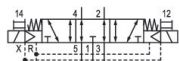
Type: Spool valve, positive overlapping

Min. ambient temperature: -10 °C

Max. ambient temperature: 50 °C

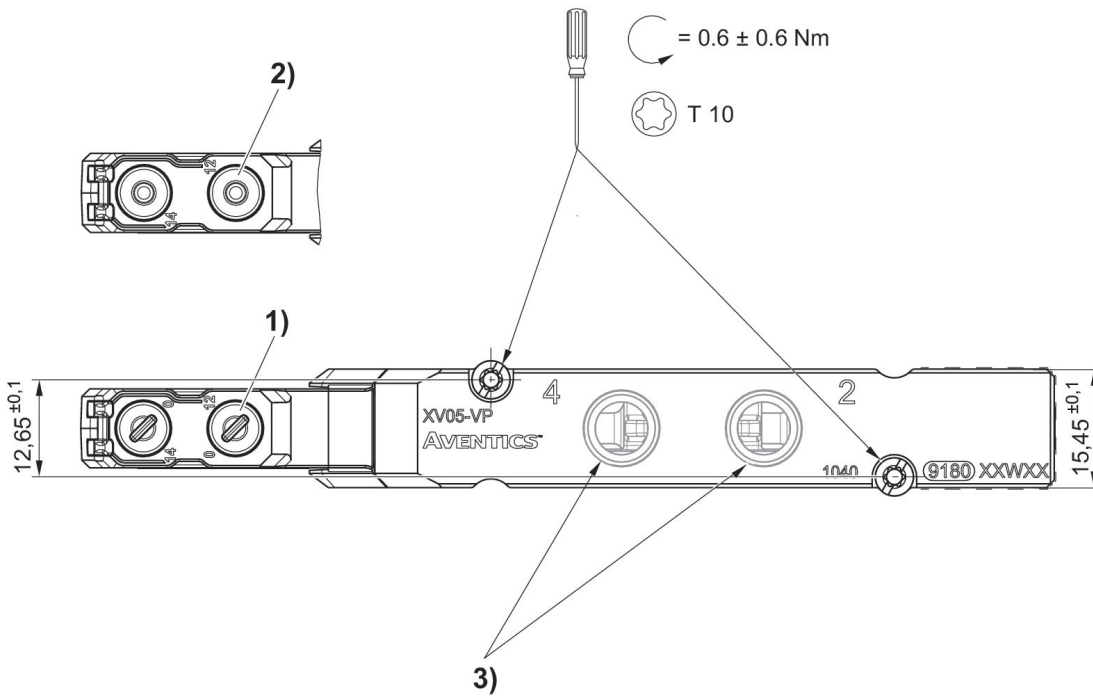
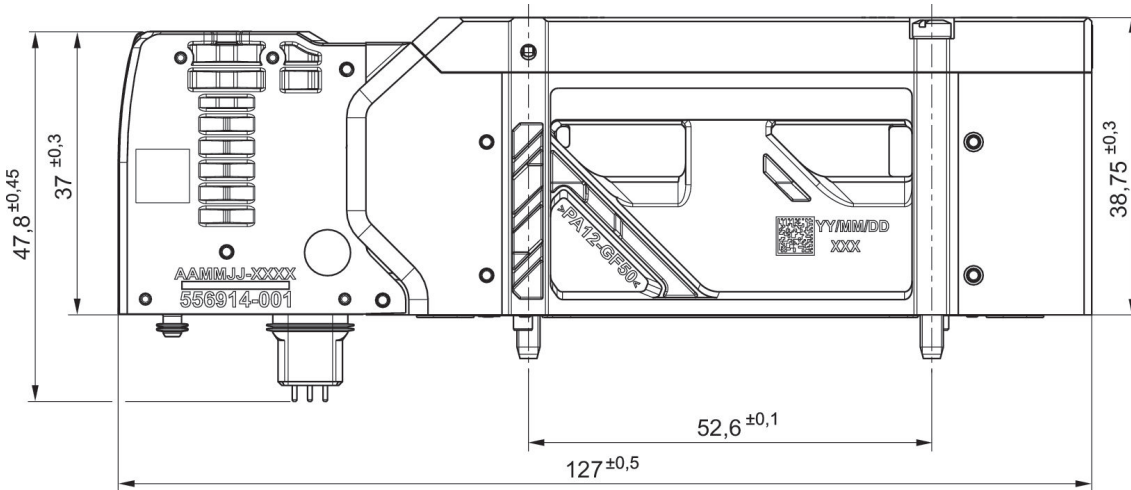
Min. working pressure: -0.95 bar

Max. working pressure: 8 bar



Switching principle	Operational voltage	Pilot	Power consumption DC [W]	Max. working pressure [bar]	Part No.
5/3, exhausted center	24 V DC	External	0.55	8	R573A2B71MACCF1

Dimensions



- 1) with detent
- 2) without detent
- 3) Ports: G 1/8 & NPT 1/8

5/3-directional valve, Series XV05, Exhausted Center, Manual override: with detent, Top connection

Flow: 1000 l/min

Activation: Electrically operated

Min. control pressure: 3 bar

Max. control pressure: 8 bar

Duty cycle: 100 %

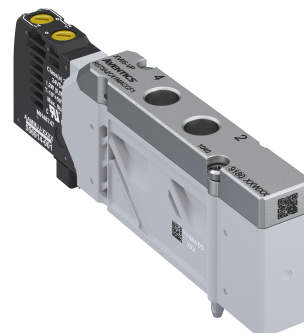
Type: Spool valve, positive overlapping

Min. ambient temperature: -10 °C

Max. ambient temperature: 50 °C

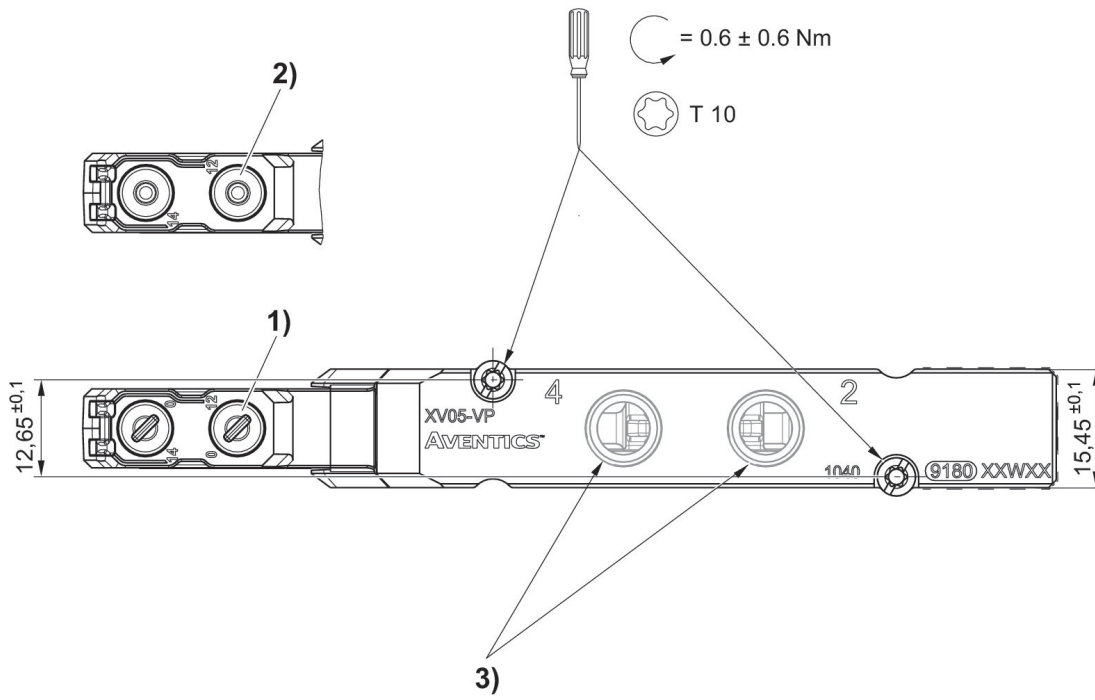
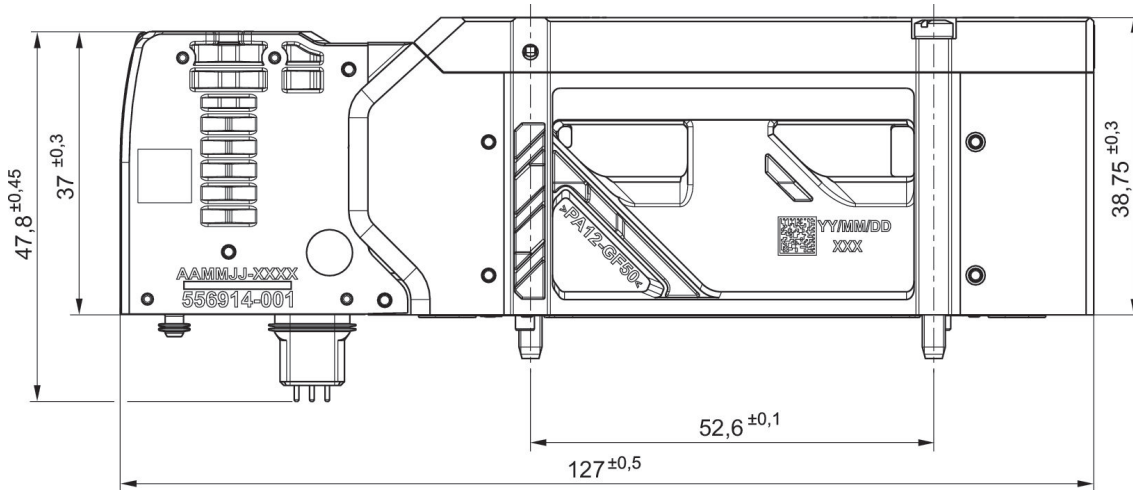
Min. working pressure: -0.95 bar

Max. working pressure: 8 bar



Switching principle	Operational voltage	Pilot	Power consumption DC [W]	Max. working pressure [bar]	Part No.
5/3, exhausted center	24 V DC	External	0.55	8	R573A2C71MACCF1

Dimensions



- 1) with detent
- 2) without detent
- 3) Ports: G 1/8 & NPT 1/8

5/3-directional valve, Series XV05, closed center, manual override: without detent, Top connection

Flow: 1000 l/min

Activation: Electrically operated

Min. control pressure: 3 bar

Max. control pressure: 8 bar

Duty cycle: 100 %

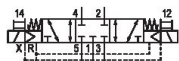
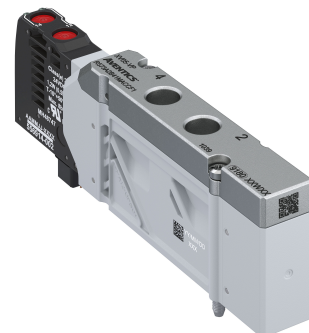
Type: Spool valve, positive overlapping

Min. ambient temperature: -10 °C

Max. ambient temperature: 50 °C

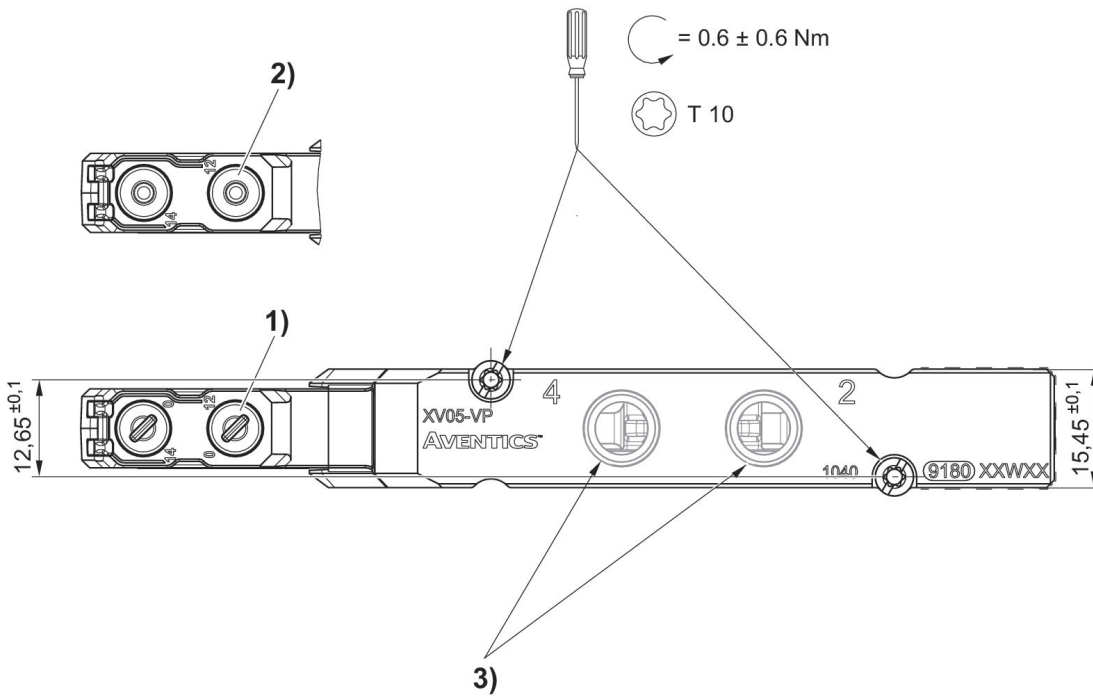
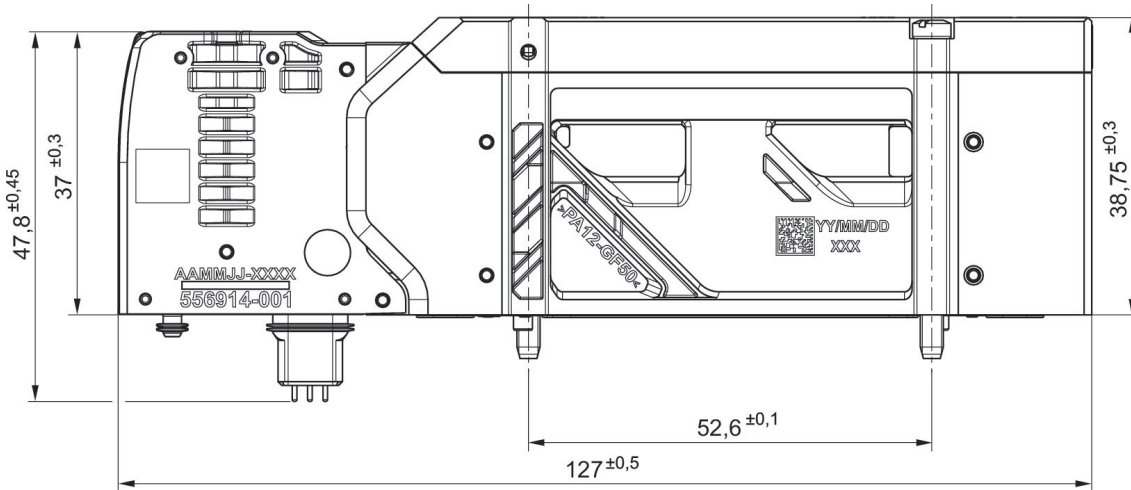
Min. working pressure: -0.95 bar

Max. working pressure: 8 bar



Switching principle	Operational voltage	Pilot	Power consumption DC [W]	Max. working pressure [bar]	Part No.
5/3, closed center	24 V DC	External	0.55	8	R573A2B61MACCF1

Dimensions



- 1) with detent
- 2) without detent
- 3) Ports: G 1/8 & NPT 1/8

5/3-directional valve, Series XV05, closed center, Manual override: with detent, Top connection

Flow: 1000 l/min

Activation: Electrically operated

Min. control pressure: 3 bar

Max. control pressure: 8 bar

Duty cycle: 100 %

Type: Spool valve, positive overlapping

Min. ambient temperature: -10 °C

Max. ambient temperature: 50 °C

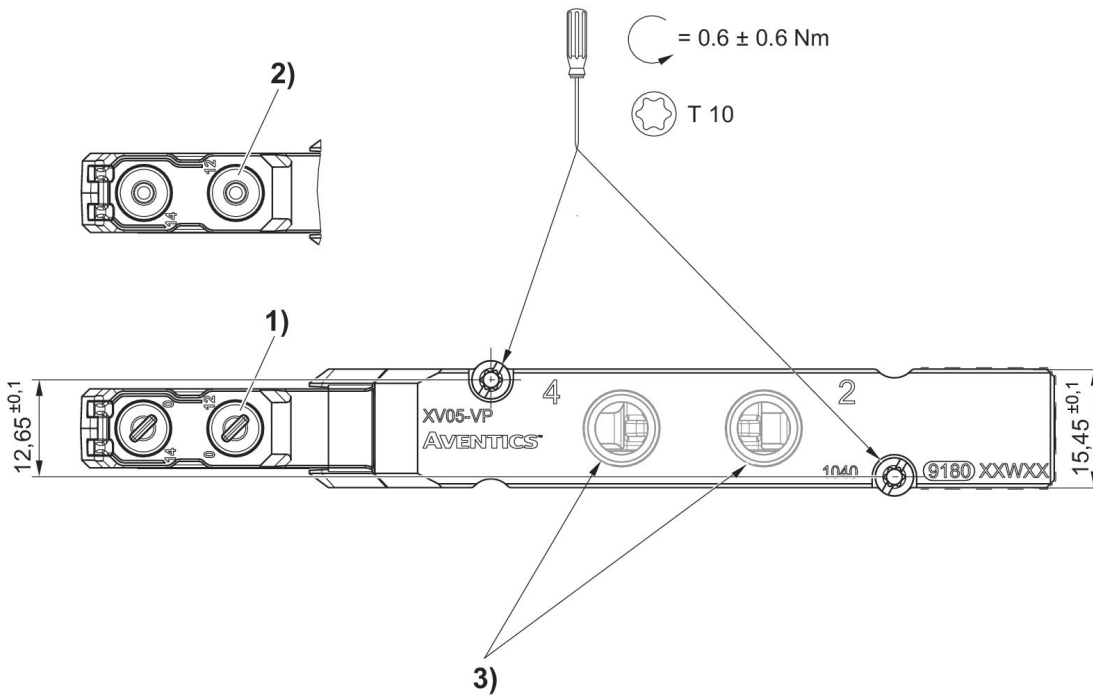
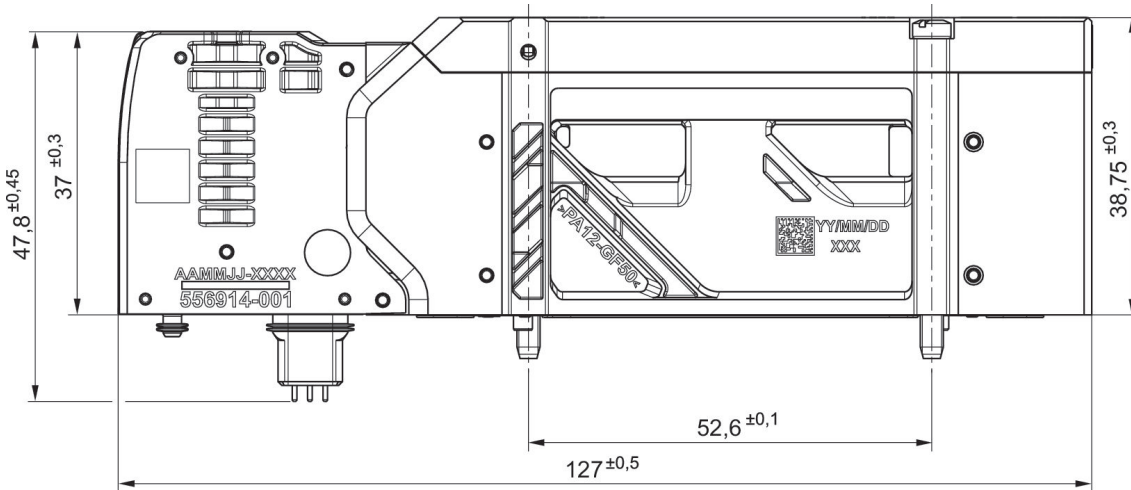
Min. working pressure: -0.95 bar

Max. working pressure: 8 bar



Switching principle	Operational voltage	Pilot	Power consumption DC [W]	Max. working pressure [bar]	Part No.
5/3, closed center	24 V DC	External	0.55	8	R573A2C61MACCF1

Dimensions



- 1) with detent
- 2) without detent
- 3) Ports: G 1/8 & NPT 1/8

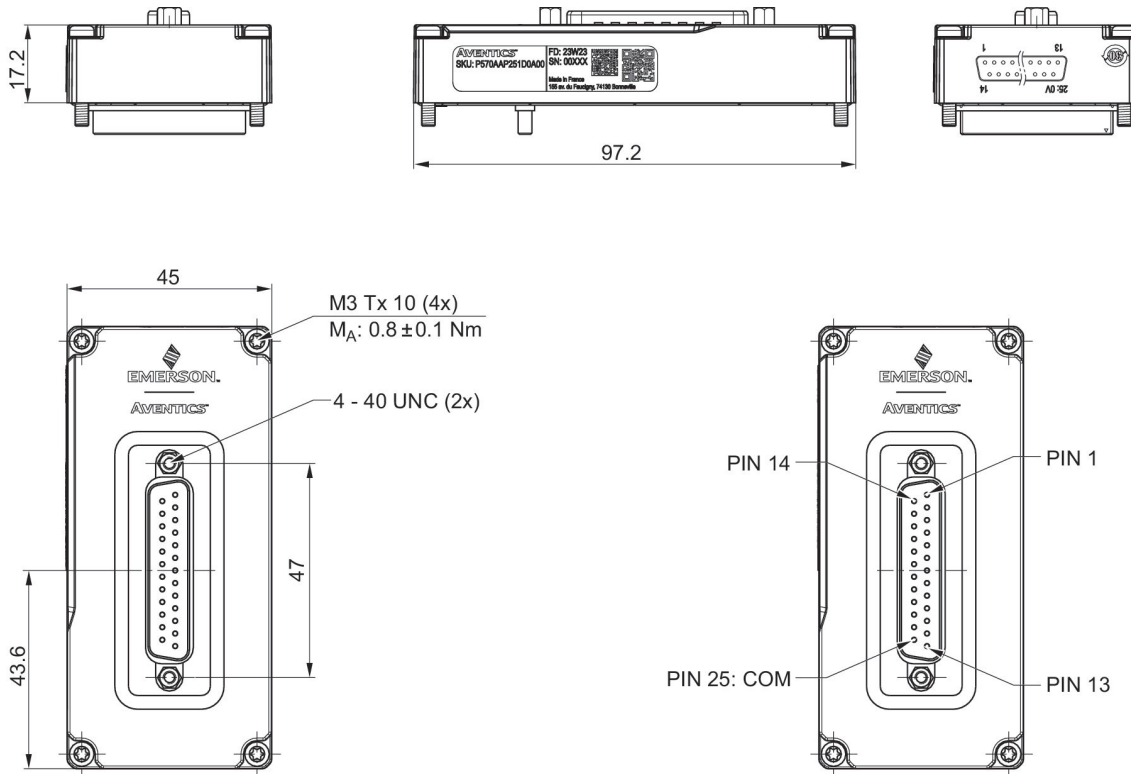
Multipole connection, 25-pin, on top

Min. ambient temperature: -10 °C
Max. ambient temperature: 50 °C



Max. number of solenoid coils	Weight [kg]	Part No.
24	0.06	P570AAP251D0A00

Dimensions



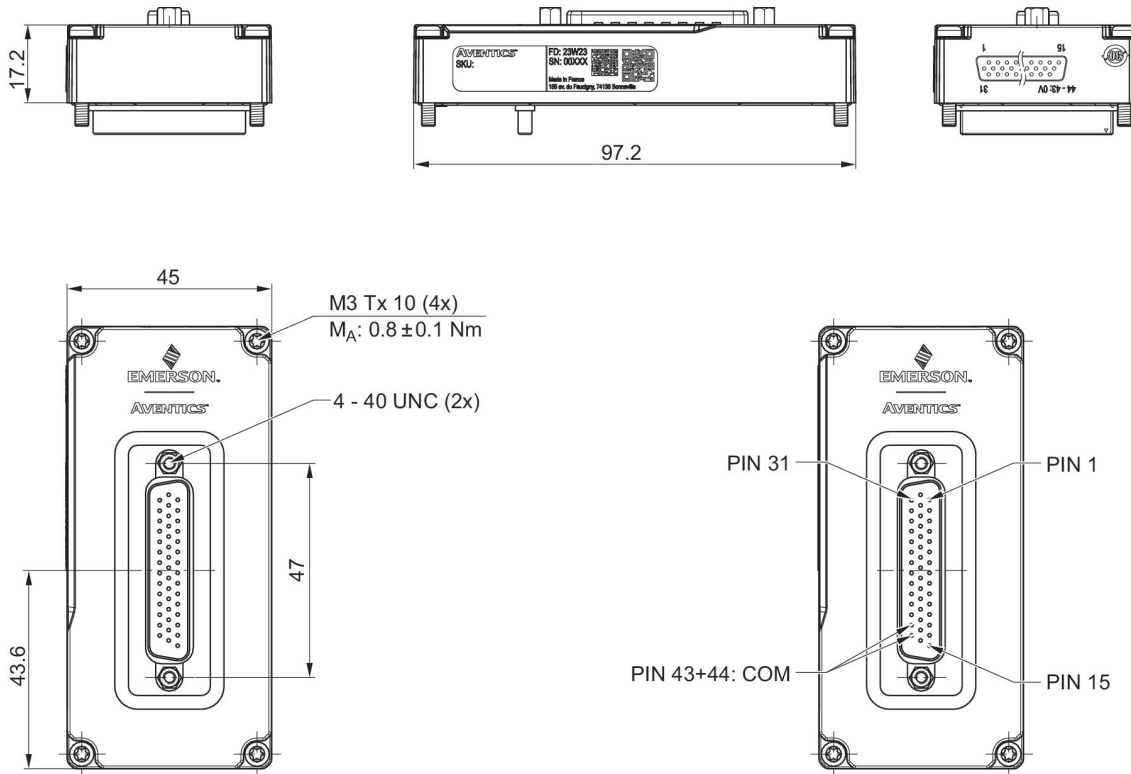
Multipole connection, 44-pin, on top

Min. ambient temperature: -10 °C
Max. ambient temperature: 50 °C



Max. number of solenoid coils	Weight [kg]	Part No.
42	0.08	P570AAP441D0A00

Dimensions



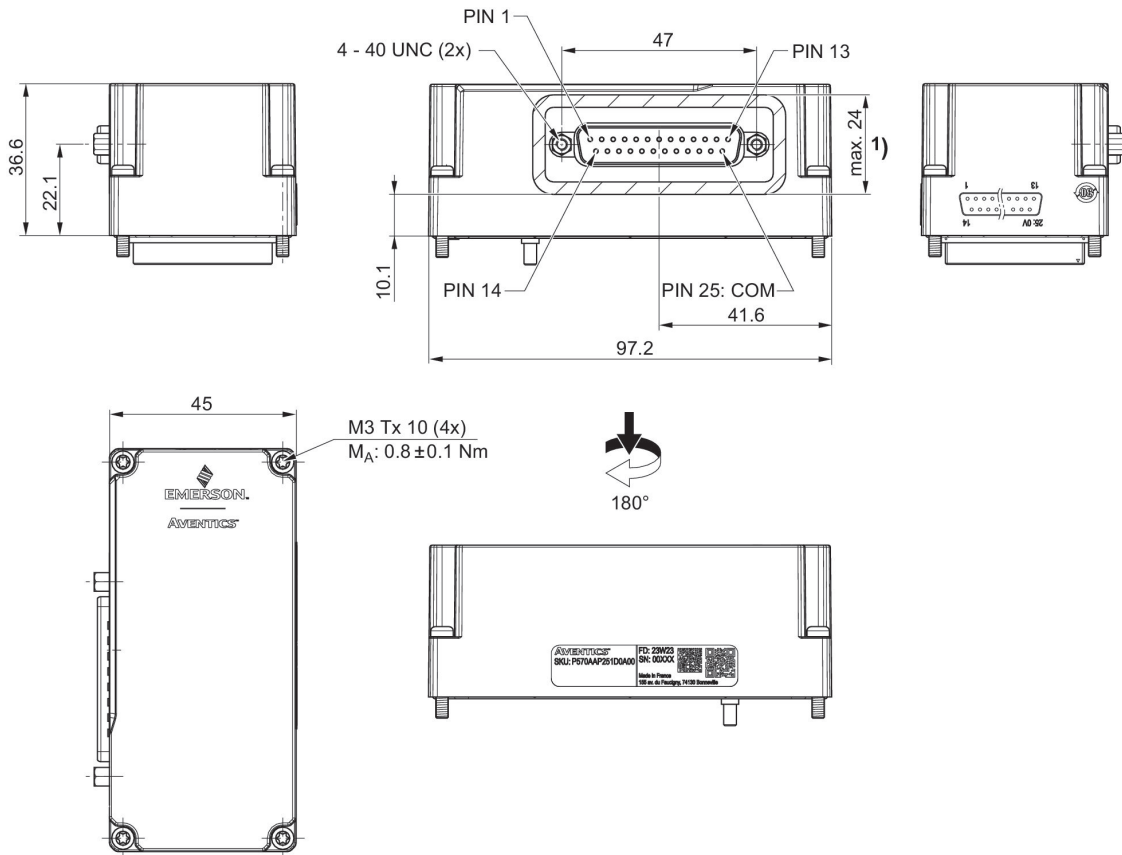
Multipole connection, 25-pin, on the side

Min. ambient temperature: -10 °C
Max. ambient temperature: 50 °C



Max. number of solenoid coils	Weight [kg]	Part No.
24	0.08	P570AAP251E0A00

Dimensions



1) For D-Sub plug

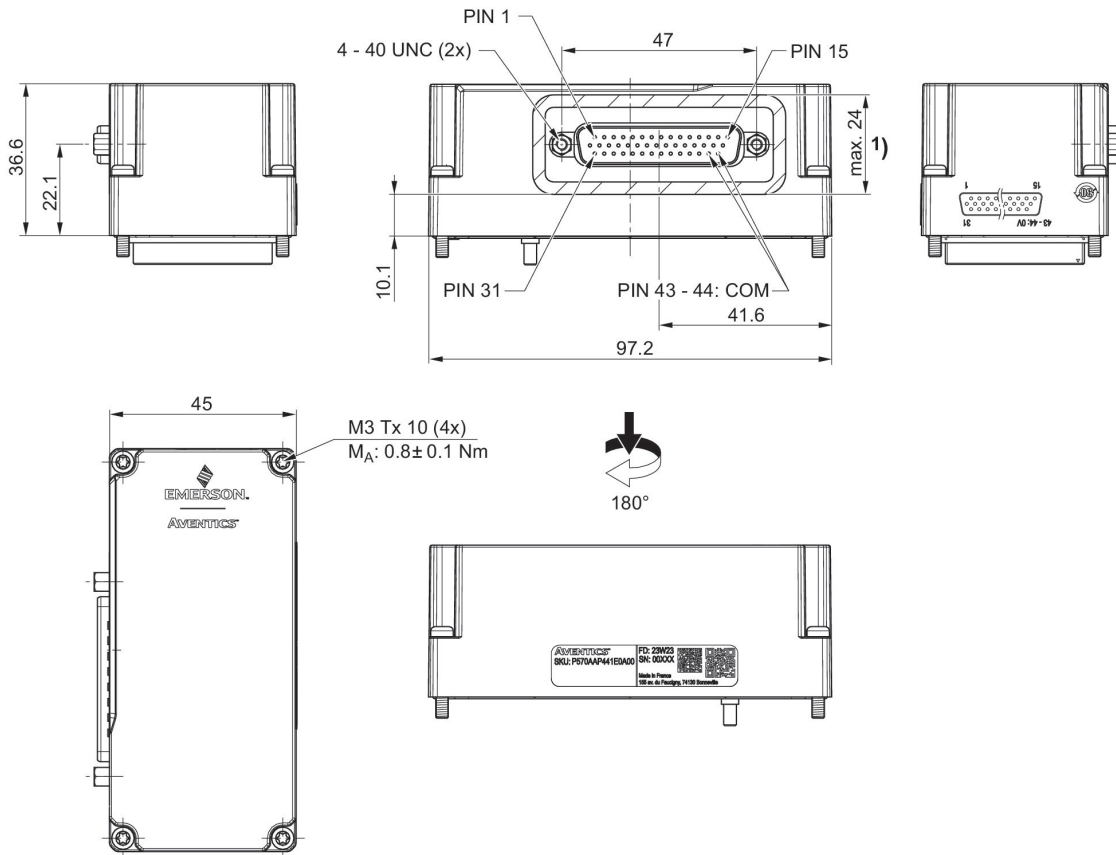
Multipole connection, 44-pin, on the side

Min. ambient temperature: -10 °C
Max. ambient temperature: 60 °C



Max. number of solenoid coils	Weight [kg]	Part No.
42	0.08	P570AAP441E0A00

Dimensions



1) For D-Sub plug

Multipole connection, terminal 27, on top

Certificates: RoHS

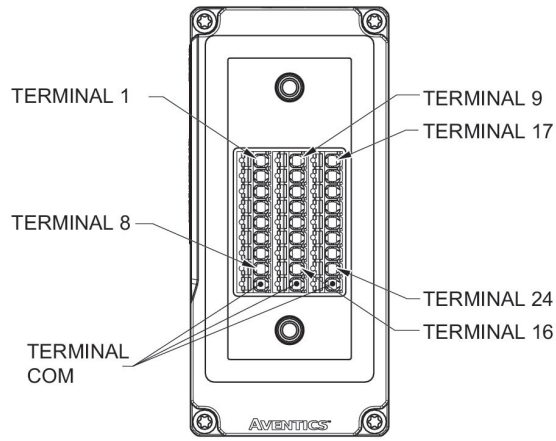
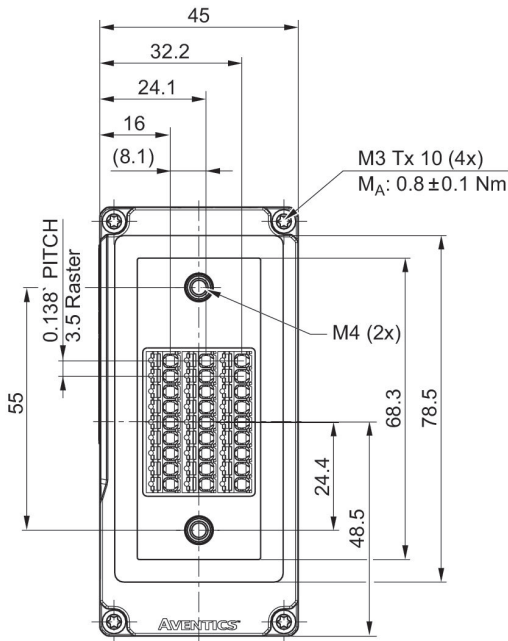
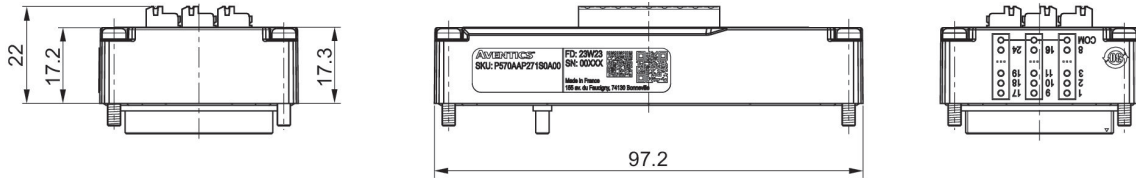
Min. ambient temperature: -10 °C

Max. ambient temperature: 50 °C



Max. number of solenoid coils	Weight [kg]	Part No.
24	0.06	P570AAP271S0A00

Dimensions



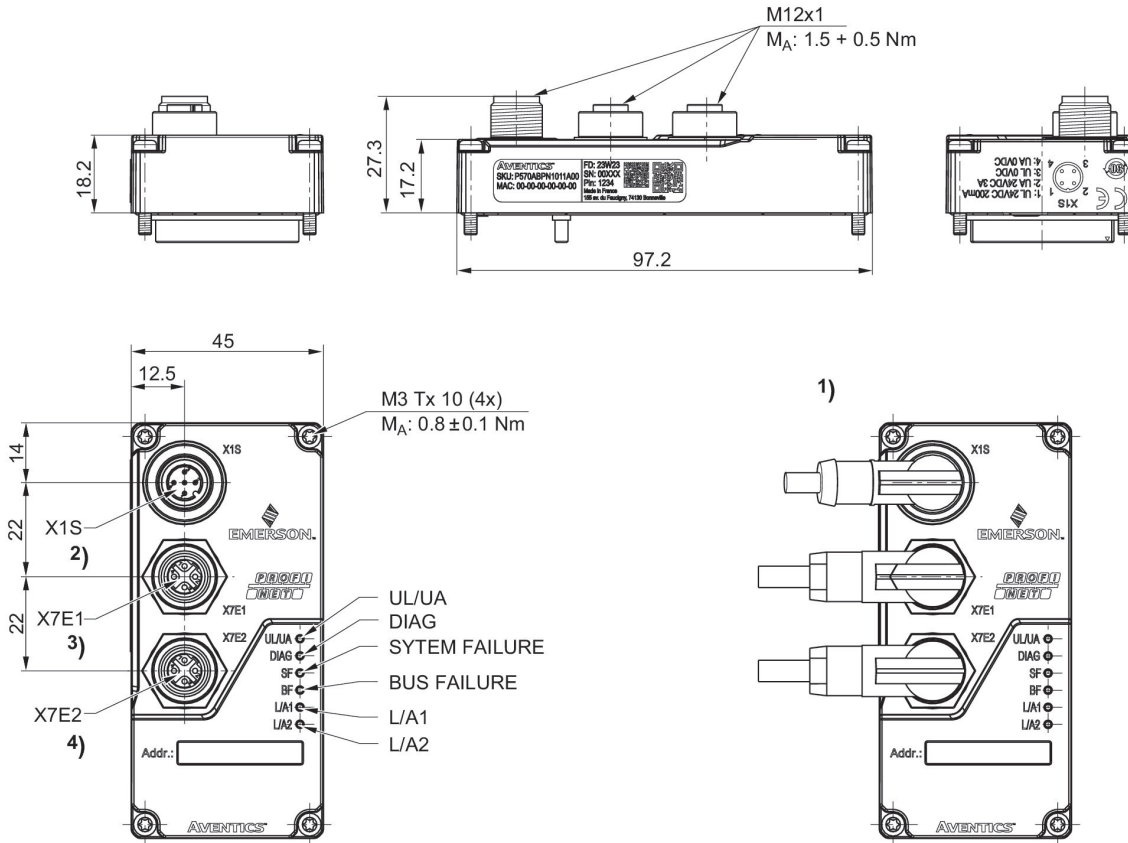
Bus coupler, series XVES Profinet

Min. ambient temperature: -10 °C
Max. ambient temperature: 50 °C



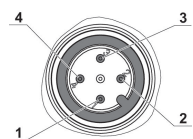
Fieldbus protocol	Power plug IN, Type	Power plug IN size, Thread size	Power plug IN, Number of poles	Number of I/O connections	Part No.
Profinet	Plug (male)	M12x1	4-pin	48 outputs	P570ABPN1011A00

Dimensions



- 1) Cable exit direction – angle plug
- 2) Power plug
- 3) Communication port 1
- 4) Communication port 2

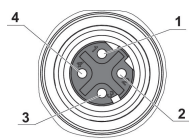
P570ABPN1011A00



X1S

Pin	
1	24 V DC (UL)
2	24 V DC (UA)
3	0 V DC (UL)
4	0 V DC (UA)

P570ABPN1011A00



IN / OUT

Pin	
1	TD+
2	RD+
3	TD-
4	RD-

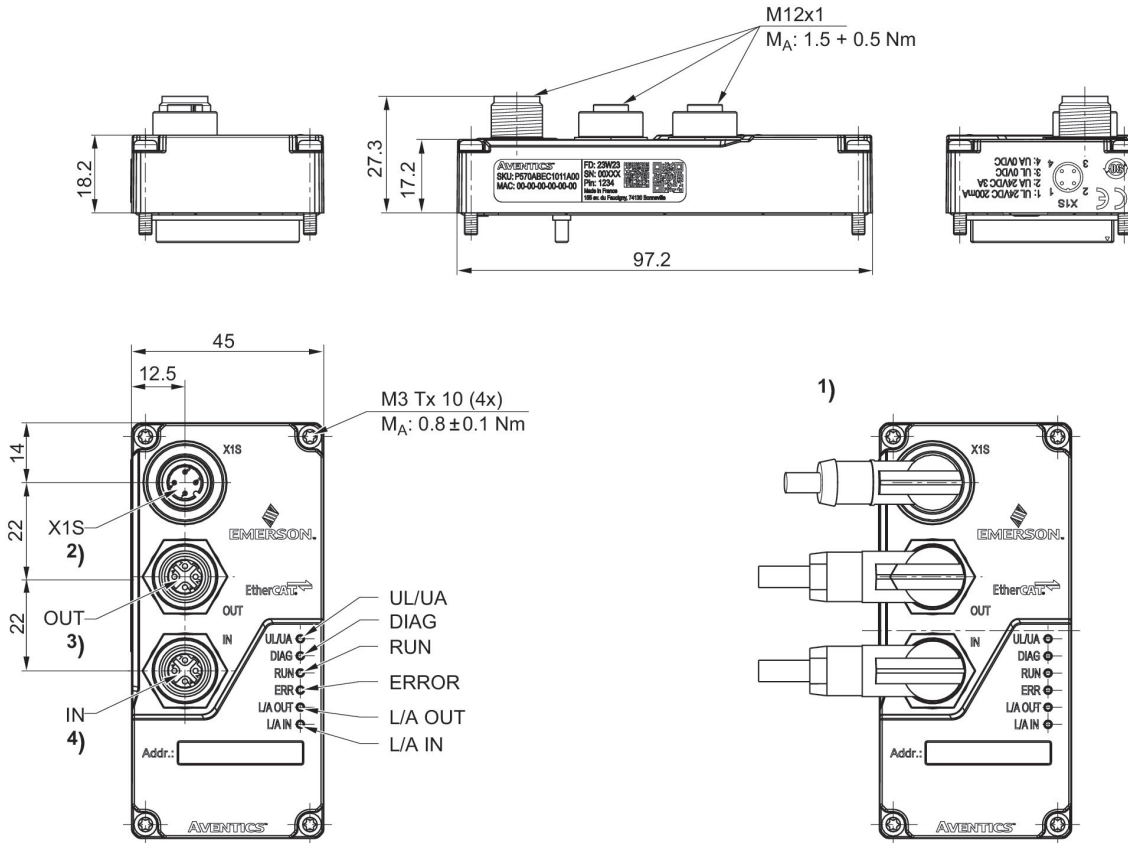
Bus coupler, series XVES EtherCAT

Min. ambient temperature: -10 °C
Max. ambient temperature: 50 °C



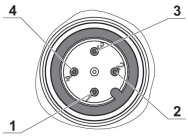
Fieldbus protocol	Power plug IN, Type	Power plug IN size, Thread size	Power plug IN, Number of poles	Number of I/O connections	Part No.
EtherCAT	Plug (male)	M12x1	4-pin	48 outputs	P570ABEC1011A00

Dimensions



- 1) Cable exit direction – angle plug
- 2) Power plug
- 3) Communication port 1
- 4) Communication port 2

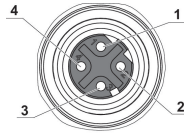
P570ABEC1011A00



X1S

Pin	
1	24 V DC (UL)
2	24 V DC (UA)
3	0 V DC (UL)
4	0 V DC (UA)

P570ABEC1011A00



IN / OUT

Pin	
1	TD+
2	RD+
3	TD-
4	RD-

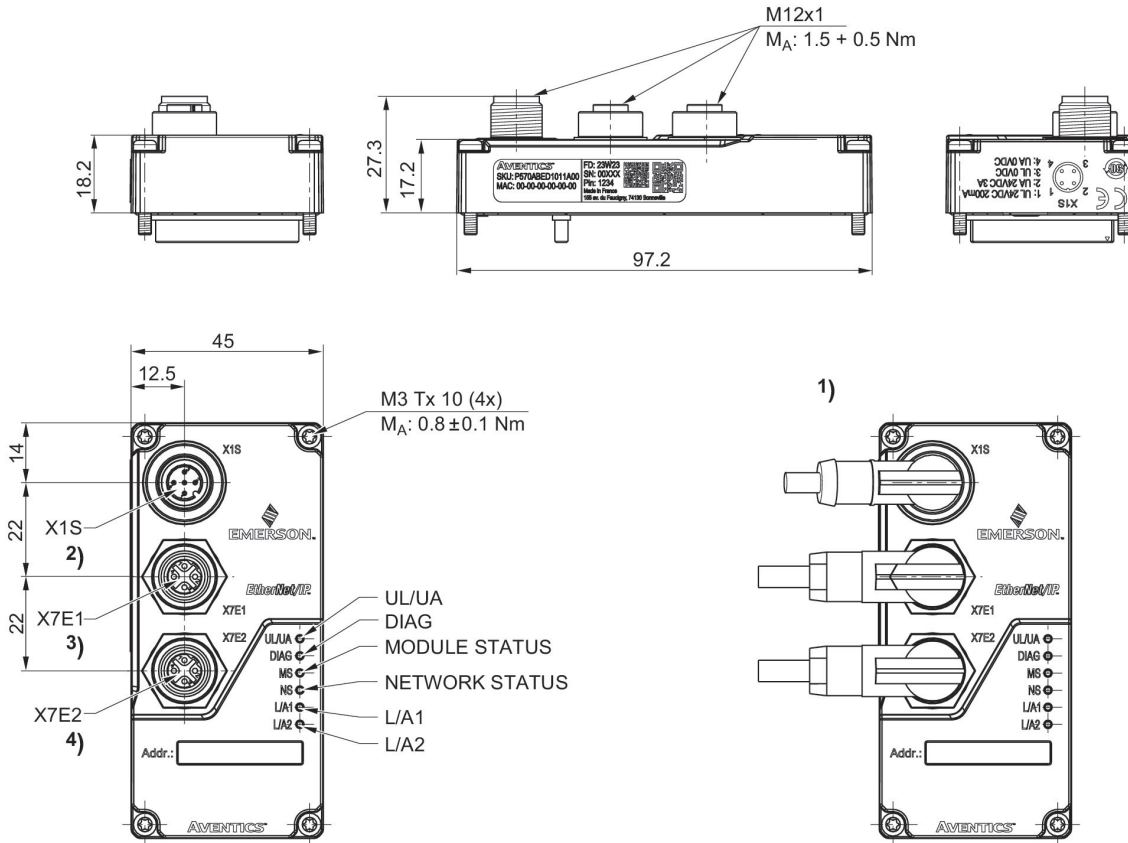
Bus coupler, series XVES EtherNet/IP

Min. ambient temperature: -10 °C
Max. ambient temperature: 50 °C



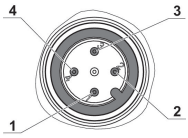
Fieldbus protocol	Power plug IN, Type	Power plug IN size, Thread size	Power plug IN, Number of poles	Number of I/O connections	Part No.
EtherNet/IP	Plug (male)	M12x1	4-pin	48 outputs	P570ABED1011A00

Dimensions



- 1) Cable exit direction – angle plug
- 2) Power plug
- 3) Communication port 1
- 4) Communication port 2

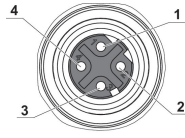
P570ABED1011A00



X1S

Pin	
1	24 V DC (UL)
2	24 V DC (UA)
3	0 V DC (UL)
4	0 V DC (UA)

P570ABED1011A00



IN / OUT

Pin	
1	TD+
2	RD+
3	TD-
4	RD-

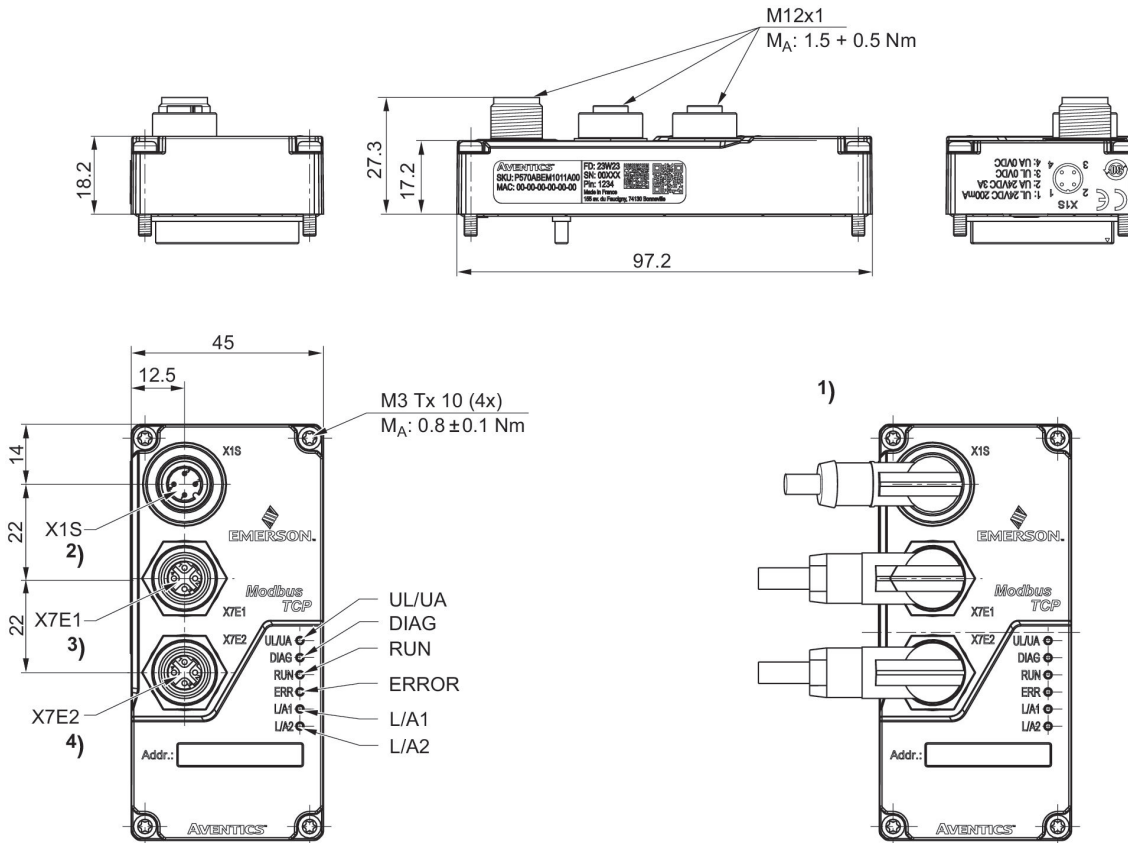
Bus coupler, series XVES Modbus TCP

Min. ambient temperature: -10 °C
Max. ambient temperature: 50 °C



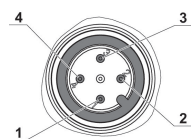
Fieldbus protocol	Power plug IN, Type	Power plug IN size, Thread size	Power plug IN, Number of poles	Number of I/O connections	Part No.
MODBUS TCP	Plug (male)	M12x1	4-pin	48 outputs	P570ABEM1011A00

Dimensions



- 1) Cable exit direction – angle plug
- 2) Power plug
- 3) Communication port 1
- 4) Communication port 2

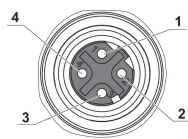
P570ABEM1011A00



X1S

Pin	
1	24 V DC (UL)
2	24 V DC (UA)
3	0 V DC (UL)
4	0 V DC (UA)

P570ABEM1011A00



IN / OUT

Pin	
1	TD+
2	RD+
3	TD-
4	RD-

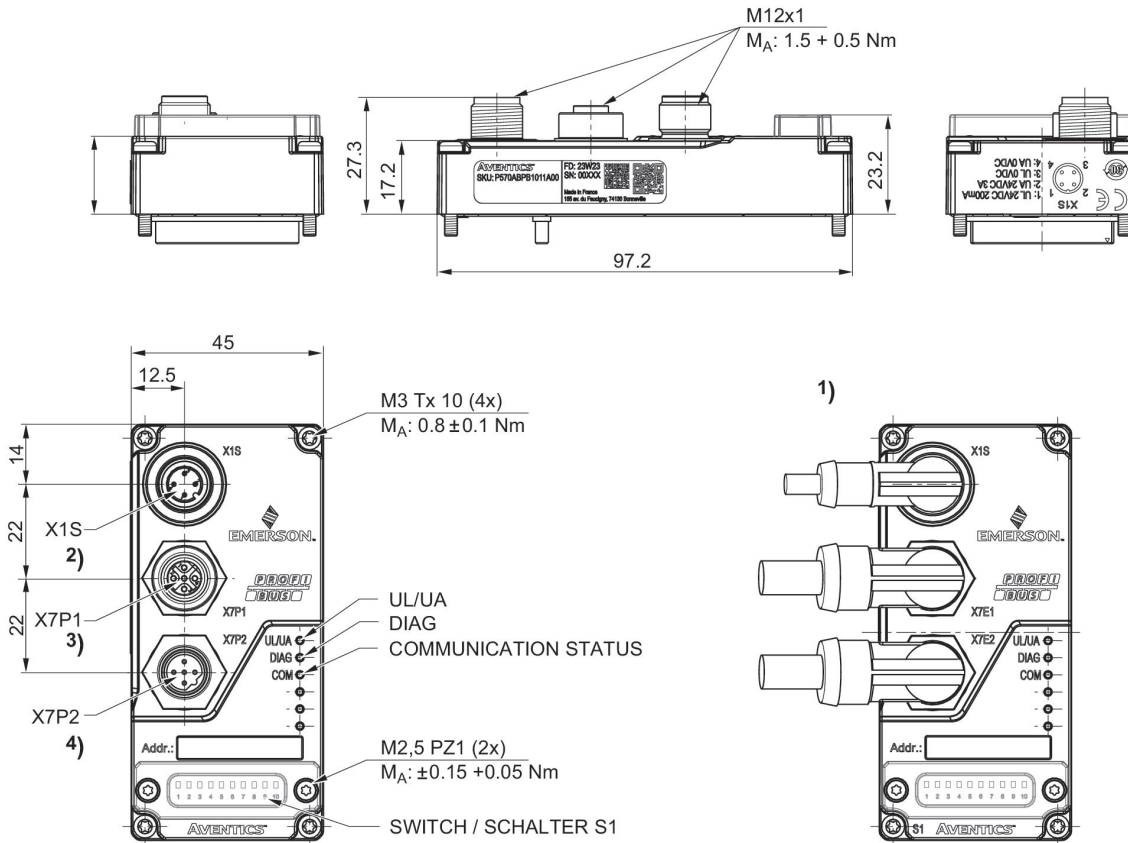
Bus coupler, series XVES Profibus DP

Electrical connection 2, thread size: M12x1
 Electrical connection 2, number of poles: 4-pin
 Min. ambient temperature: -10 °C
 Max. ambient temperature: 50 °C



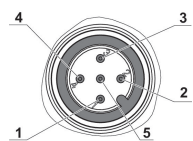
Fieldbus protocol	Power plug IN, Type	Power plug IN size, Thread size	Power plug IN, Number of poles	Number of I/O connections	Part No.
PROFIBUS DP	Plug	M12x1	4-pin	48 outputs	P570ABPB1011A00

Dimensions



- 1) Cable exit direction – angle plug
- 2) Power plug
- 3) Communication port 1
- 4) Communication port 2

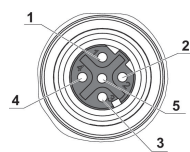
P570ABPB1011A00



X7P2

Pin	
1	-
2	A-data line
3	-
4	B-data line
5	FE

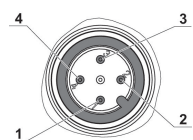
P570ABPB1011A00



X7P1

Pin	
1	5 V DC
2	A-data line
3	0 V DC
4	B-data line
5	FE

P570ABPB1011A00



X1S

Pin	
1	24 V DC (UL)
2	24 V DC (UA)
3	0 V DC (UL)
4	0 V DC (UA)

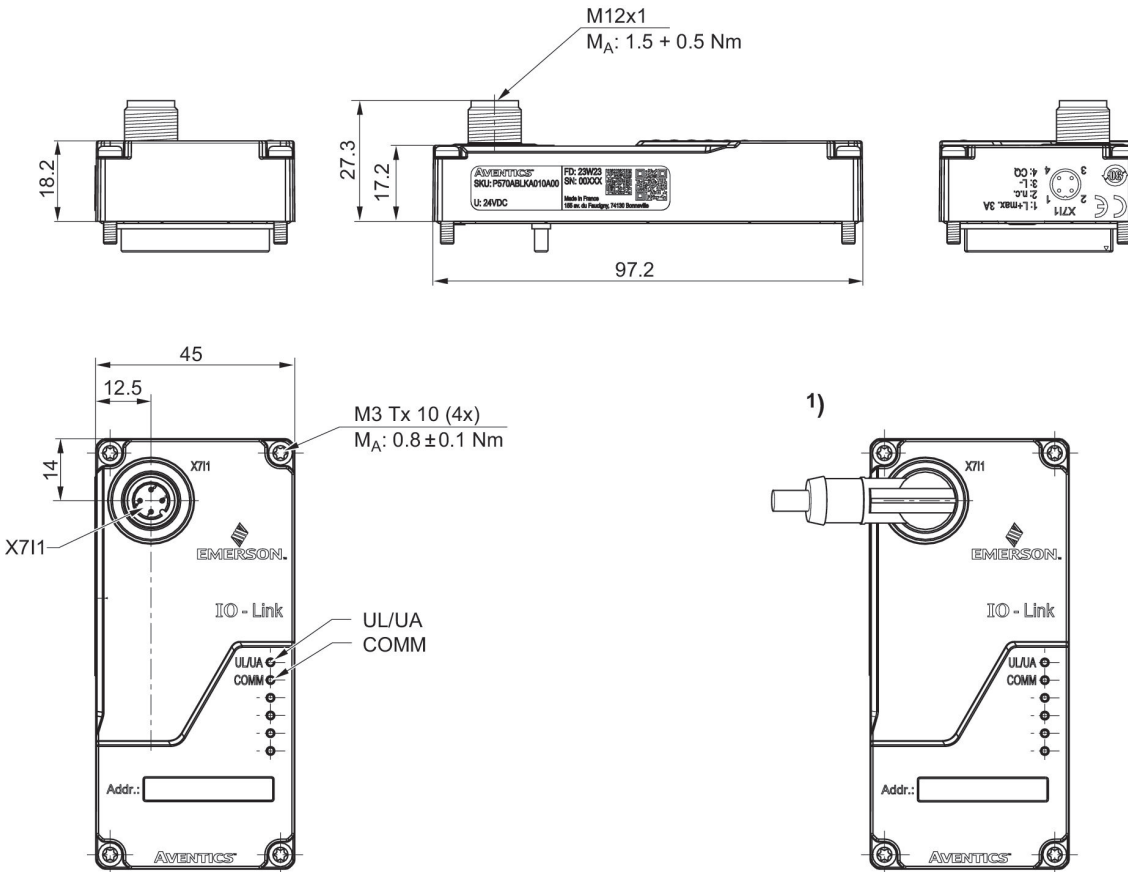
Bus coupler, series XVES IO-Link

Electrical connection 2, thread size: M12x1
 Electrical connection 2, number of poles: 4-pin
 Min. ambient temperature: -10 °C
 Max. ambient temperature: 50 °C



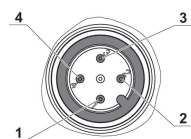
Fieldbus protocol	Power plug IN, Type	Power plug IN size, Thread size	Power plug IN, Number of poles	Number of I/O connections	Part No.
IO-Link	Plug	M12x1	4-pin	48 outputs	P570ABLKA010A00
IO-Link, type B	Plug	M12x1	5-pin	48 outputs	P570ABLKB010A00
IO-Link type AB	Plug	M12x1	4-pin	48 outputs	P570ABLM5010A00

Dimensions



1) Cable exit direction – angle plug

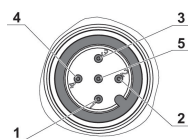
P570ABLKA010A00



X711

Pin	
1	L+
2	-
3	L-
4	CQ (IO link data)

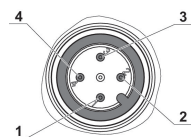
P570ABLK010A00



X711

Pin	
1	L+ 24 V DC
2	2L+ 24 V DC
3	L-
4	CQ (IO link data)
5	2 L-

P570ABLM5010A00

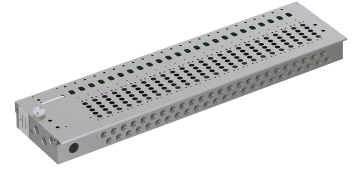


X711

Pin	
1	L+ 24 V DC
2	UA + 24 V DC
3	L-
4	CQ (IO link data)

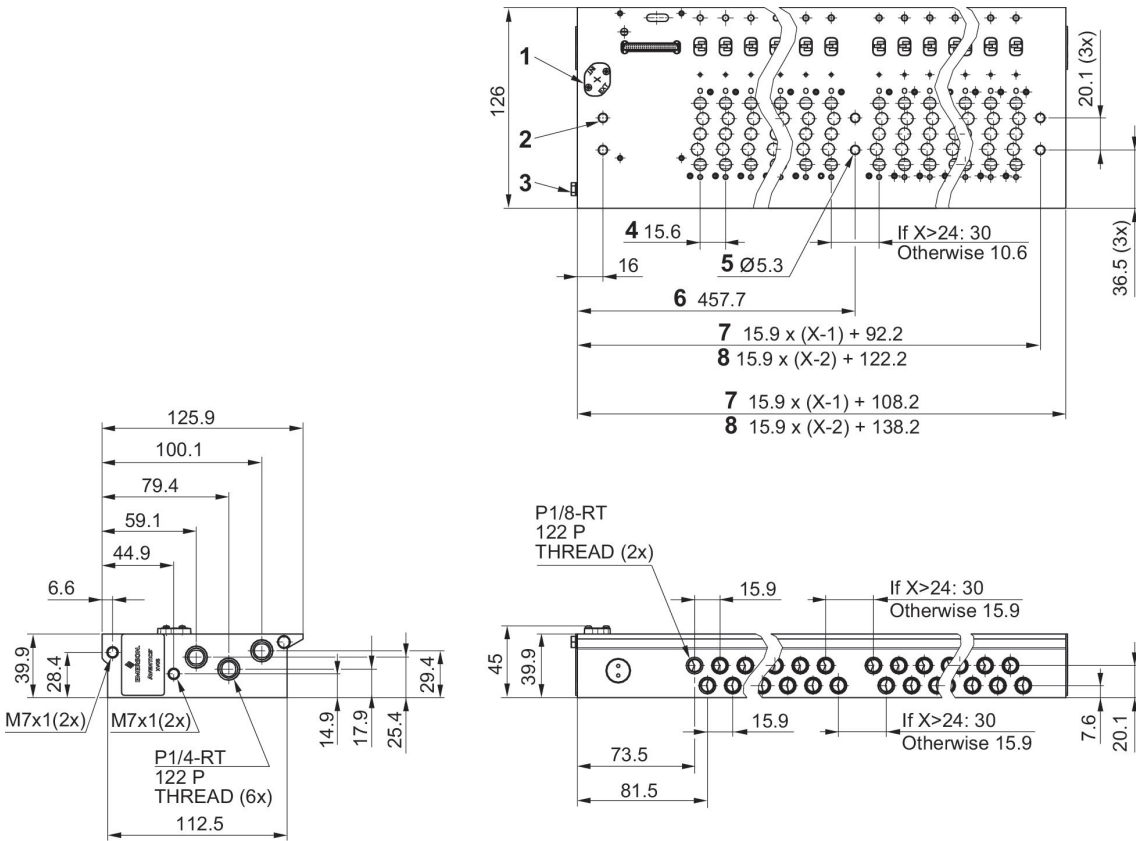
Base plate, series XV05, working connections on the side

Min. ambient temperature: -10 °C
 Max. ambient temperature: 50 °C
 Min. working pressure: -0.95 bar
 Max. working pressure: 8 bar



Max. number of valve positions	Part No.
42	A573A00000013xx

Dimensions in mm



- 1) Mounting screw for the control plate
 - 2) Mounting hole $\varnothing 5.3$ (4x)
 - 3) PE = Ground
 - 4) Station pitch
 - 5) Additional mounting holes for 25 stations or more
 - 6) For base plates with up to 24 valves
 - 7) For base plates with more than 25 valves
- X = number of valve positions

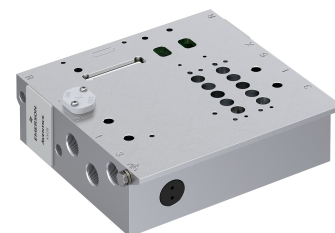
Base plate, series XV05, working connections on bottom

Min. ambient temperature: -10 °C

Max. ambient temperature: 50 °C

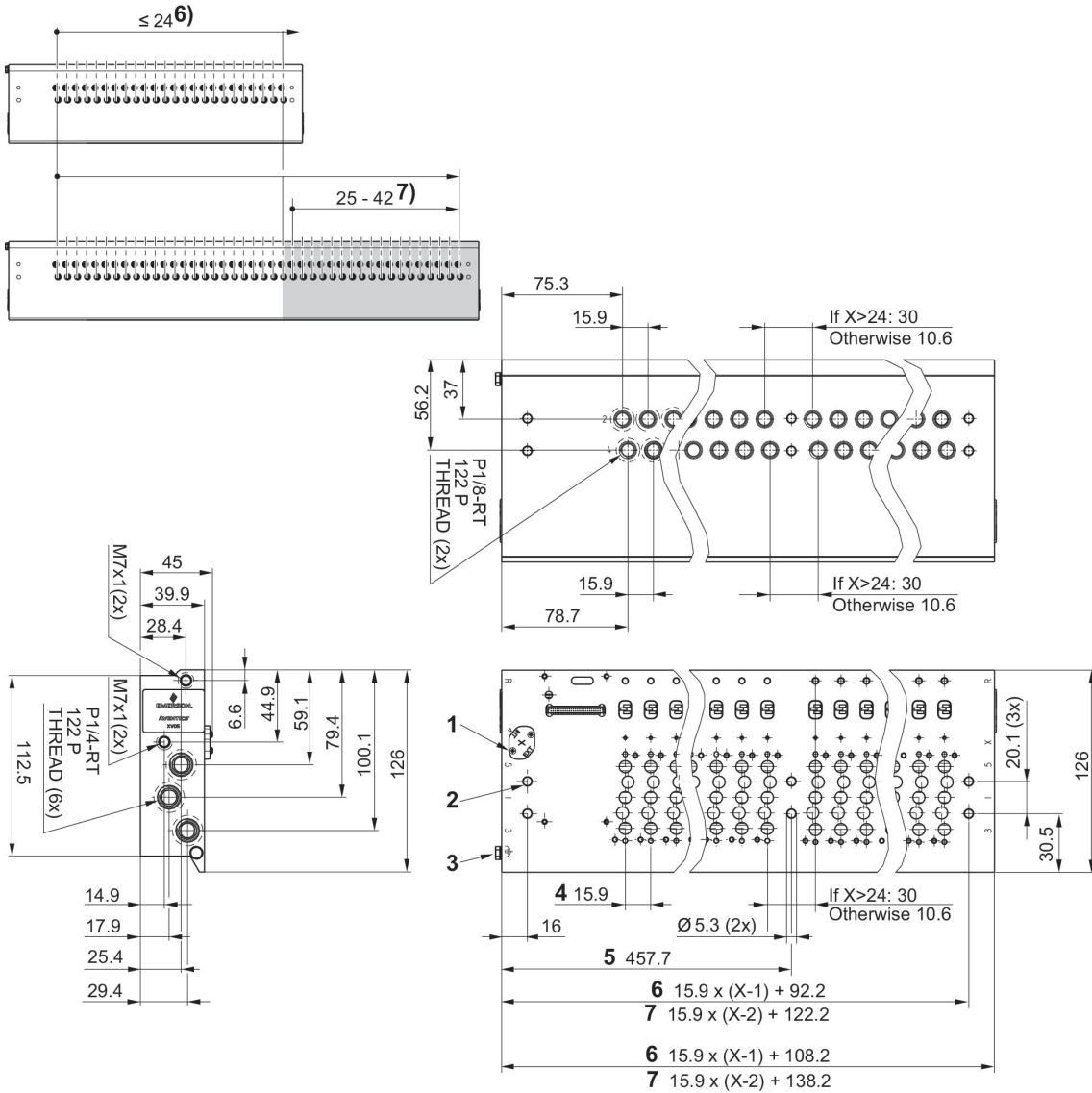
Min. working pressure: -0.95 bar

Max. working pressure: 8 bar



Max. number of valve positions	Part No.
42	A573A00000017xx

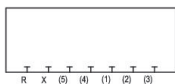
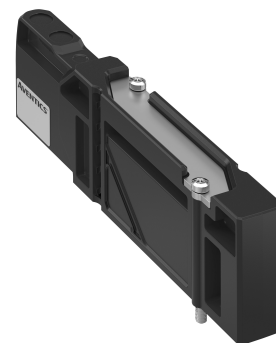
Dimensions



- 1) Mounting screw for the control plate
 - 2) Mounting hole $\varnothing 5.3$ (4x)
 - 3) PE = Ground
 - 4) Station pitch
 - 5) Additional mounting holes for 25 stations or more
 - 6) For base plates with up to 24 valves
 - 7) For base plates with more than 25 valves
- X = number of valve positions

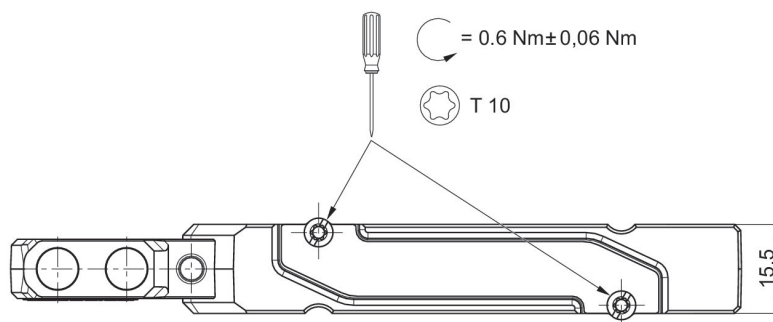
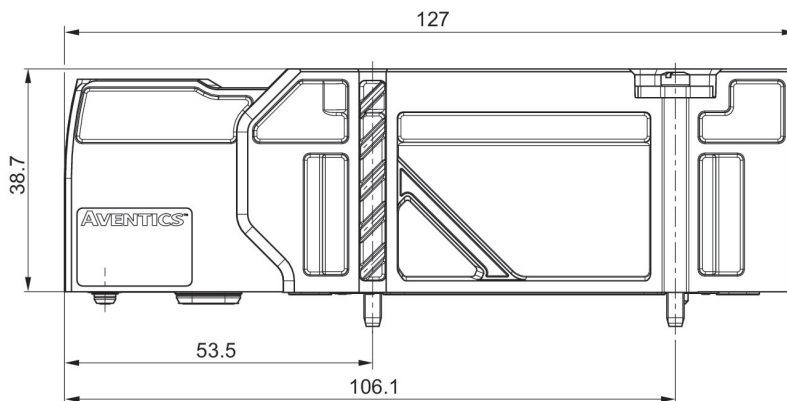
Blank plate, series XV05

Min. ambient temperature: -10 °C
 Max. ambient temperature: 50 °C
 Min. working pressure: -0.95 bar
 Max. working pressure: 8 bar



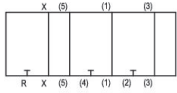
Max. number of valve positions	Part No.
1	R573AB555875001

Dimensions



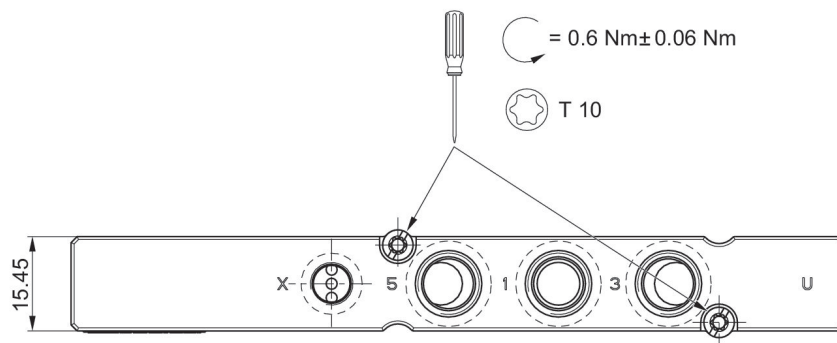
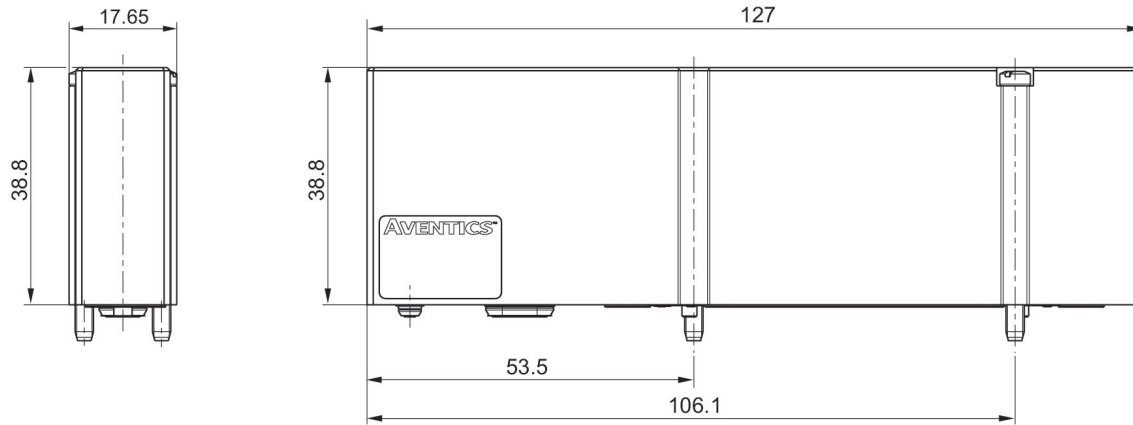
Supply plate, series XV05

Min. ambient temperature: -10 °C
 Max. ambient temperature: 50 °C
 Min. working pressure: -0.95 bar
 Max. working pressure: 8 bar



Thread connection	Max. number of valve positions	Part No.
T10	1	C573AZ555880009

Dimensions



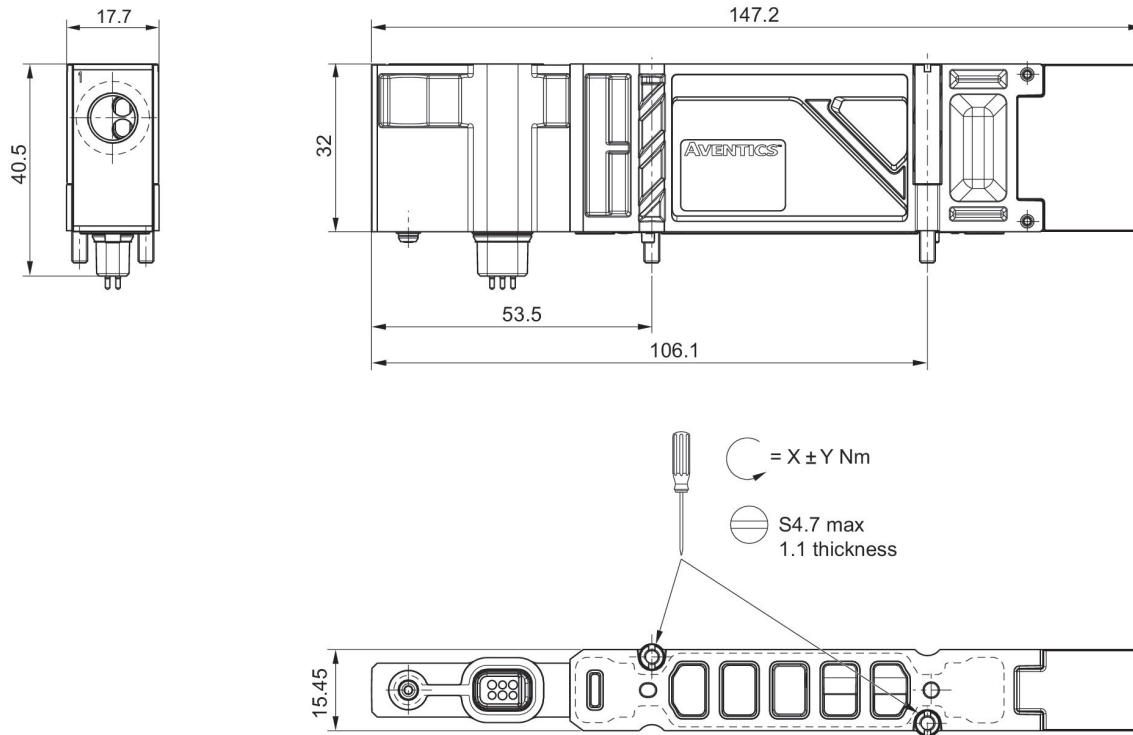
Air supply sandwich plate, series XV05

Min. ambient temperature: -10 °C
 Max. ambient temperature: 50 °C
 Min. working pressure: -0.95 bar
 Max. working pressure: 10 bar



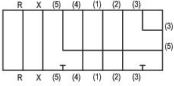
Max. number of valve positions	Part No.
1	C573AW555919009

Dimensions

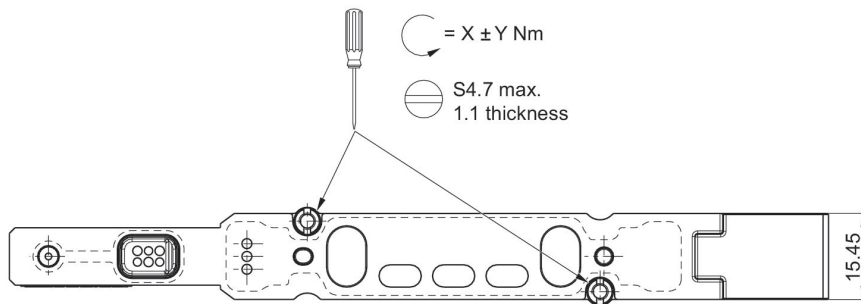
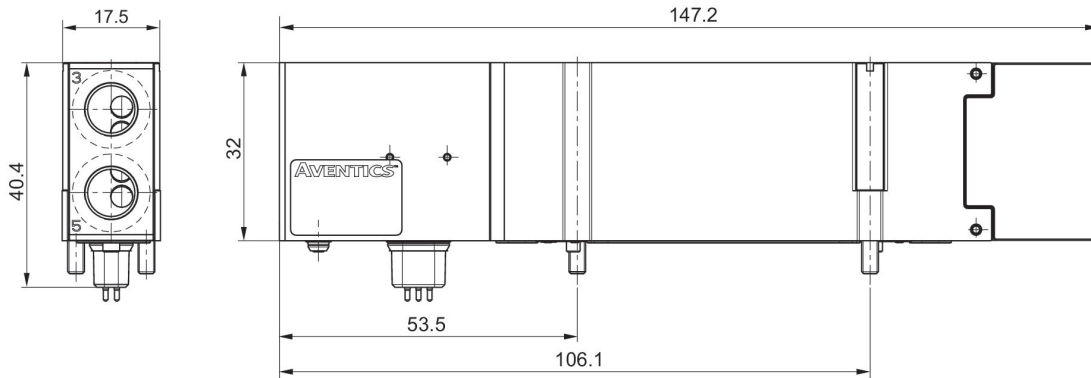


Exhaust sandwich plate, series XV05

Min. ambient temperature: -10 °C
 Max. ambient temperature: 50 °C
 Min. working pressure: -0.95 bar
 Max. working pressure: 10 bar



Max. number of valve positions	Part No.
1	C573AX555921001



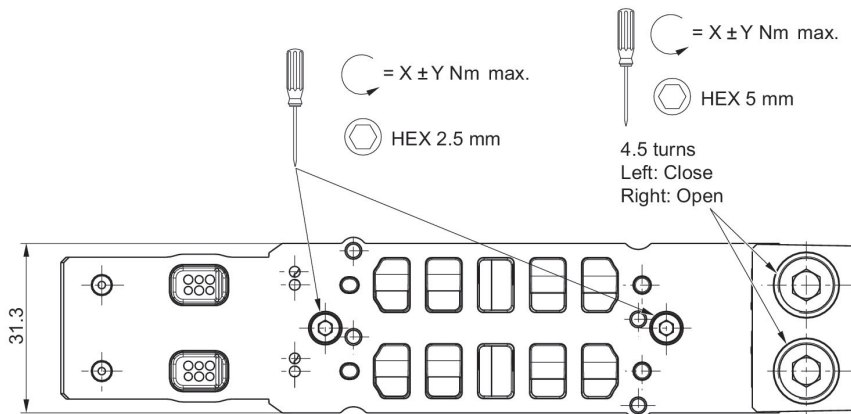
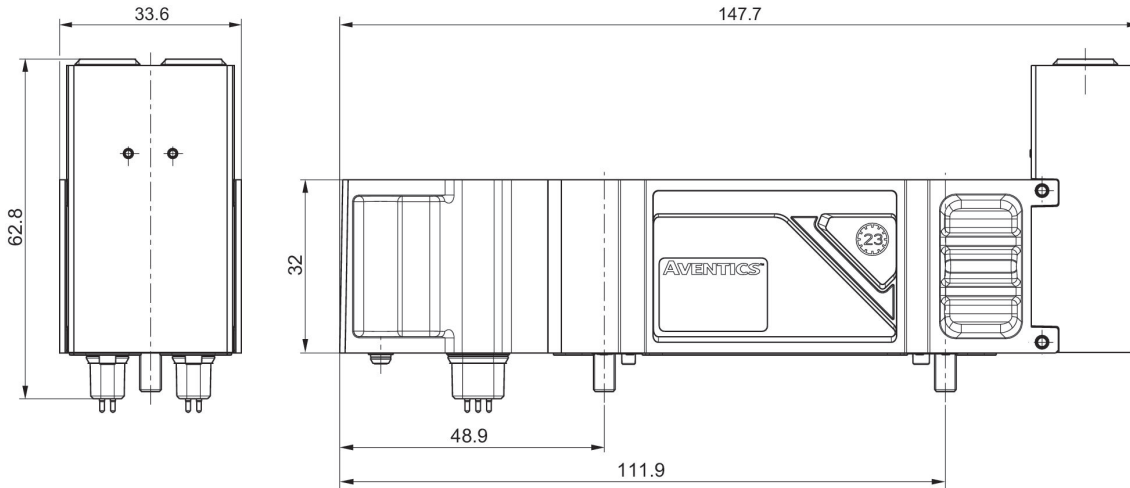
Shut-off module, Series XV05

Activation: Mechanical
 Min. ambient temperature: -10 °C
 Max. ambient temperature: 50 °C
 Min. working pressure: -0.95 bar
 Max. working pressure: 8 bar



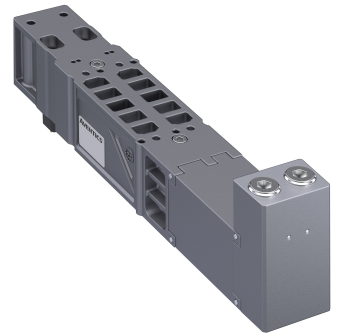
Housing material	Part No.
Aluminum, anodized	R573AY555893001

Dimensions



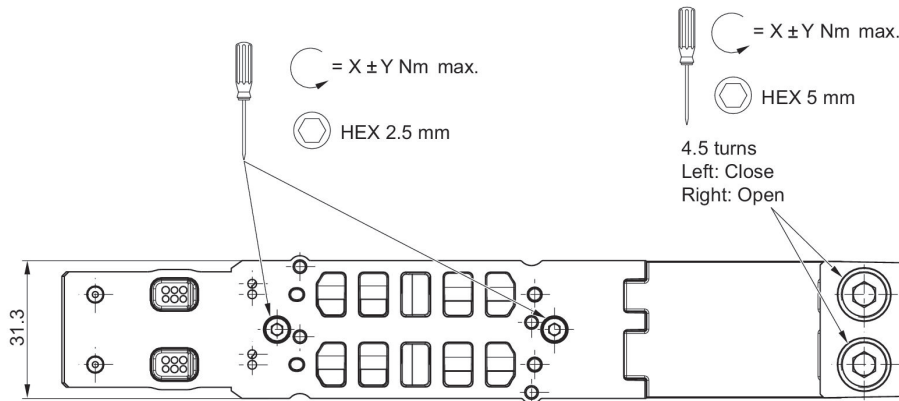
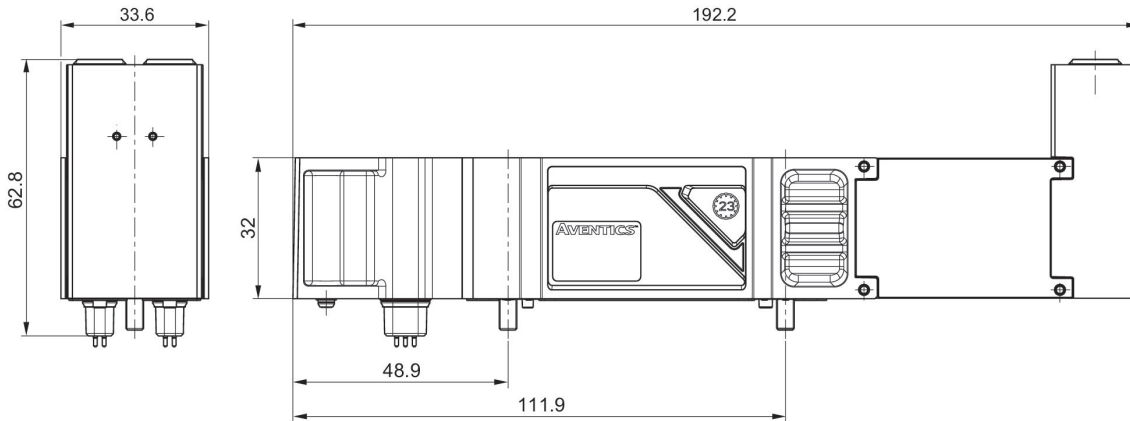
Shut-off module, Series XV05, extended

Activation: Mechanical
 Min. ambient temperature: -10 °C
 Max. ambient temperature: 50 °C
 Min. working pressure: -0.95 bar
 Max. working pressure: 8 bar



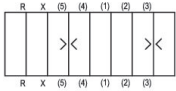
Housing material	Part No.
Aluminum, anodized	R573AY555910001

Dimensions



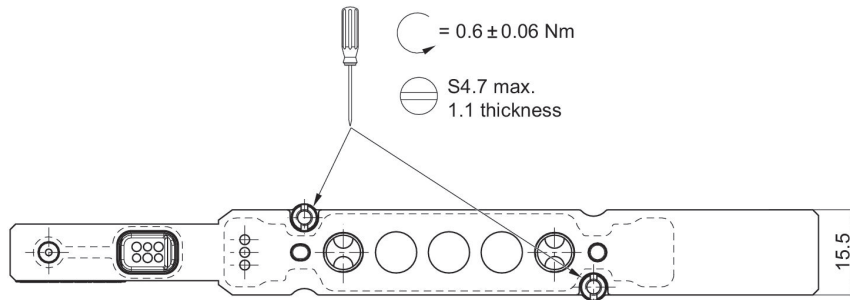
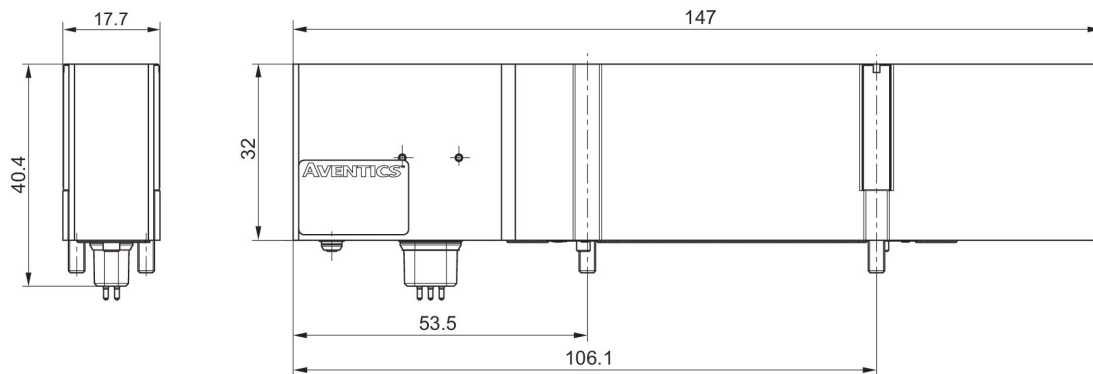
Throttle sandwich plate, series XV05

Min. ambient temperature: -10 °C
 Max. ambient temperature: 50 °C
 Min. working pressure: -0.95 bar
 Max. working pressure: 8 bar



Max. number of valve positions	Part No.
1	R573AS557322001

Dimensions



1) Blanking plugs are available separately.

Orifice plugs

Part No.	Diameter	Delivery quantity	Weight [g]
P573AU557325111	all	2	
P573AU55732510	Ø 3.5±0.03	10	0.1
P573AU557325109	Ø 3±0.03	10	0.1
P573AU557325108	Ø 2.5±0.03	10	0.11
P573AU557325107	Ø 2±0.03	10	0.11

Part No.	Diameter	Delivery quantity	Weight [g]
P573AU557325106	Ø 1.6±0.03	10	0.12
P573AU557325105	Ø 1.4±0.03	10	0.12
P573AU556022104	Ø 1.2±0.03	10	0.12
P573AU557325103	Ø 1.05±0.03	10	0.12
P573AU557325102	Ø 0.85±0.03	10	0.12
P573AU557325101	Ø 0.7±0.03	10	0.12

To be used for ports 3 and 5 of sandwich throttle valve XV05 (R573AS557322001).

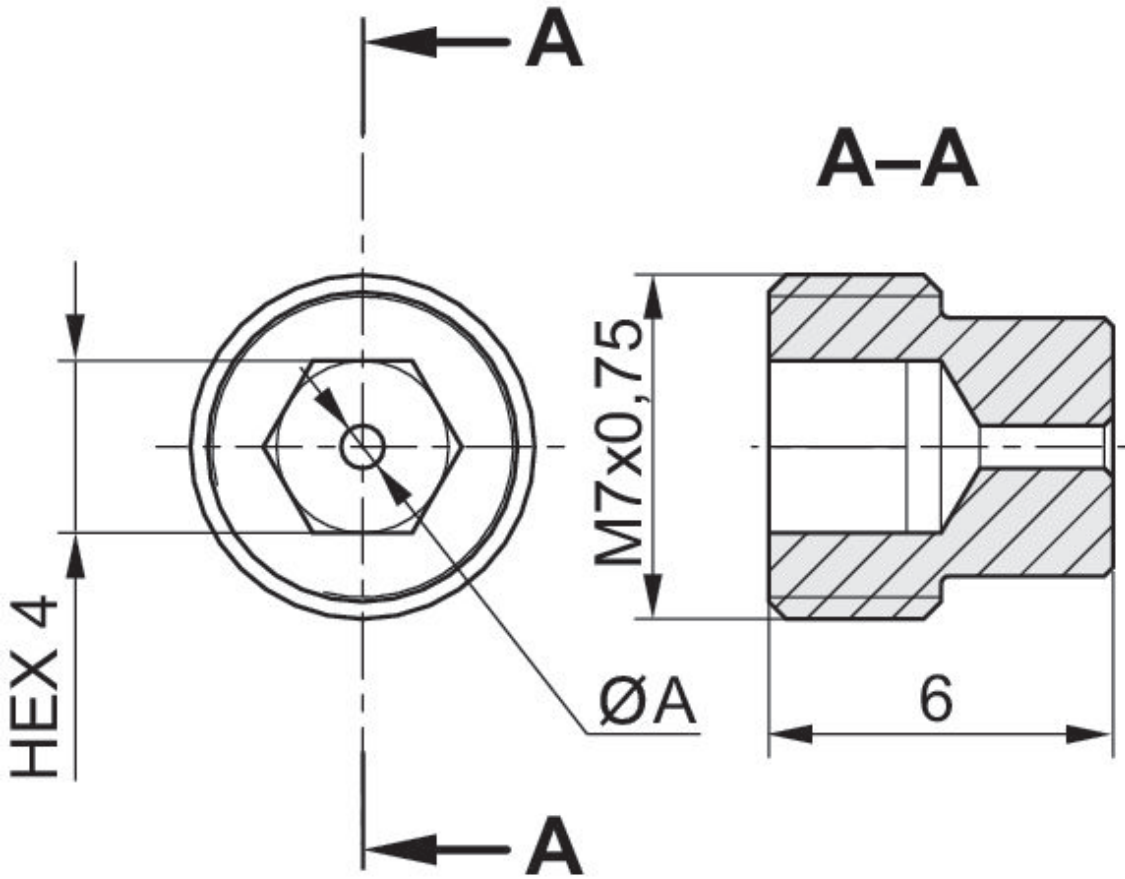
Orifice plugs

For series: XV05



Type	Delivery unit [piece]	Weight [kg]	Part No.
Orifice plugs	10	0.122	P573AU557325101
Orifice plugs	10	0.122	P573AU557325102
Orifice plugs	10	0.121	P573AU557325103
Orifice plugs	10	0.12	P573AU557325104
Orifice plugs	10	0.12	P573AU557325105
Orifice plugs	10	0.118	P573AU557325106
Orifice plugs	10	0.11	P573AU557325107
Orifice plugs	10	0.112	P573AU557325108
Orifice plugs	10	0.107	P573AU557325109
Orifice plugs	10	0.101	P573AU557325110
Orifice plugs	2		P573AU557325111

Dimensions



Straight fitting, M7x1

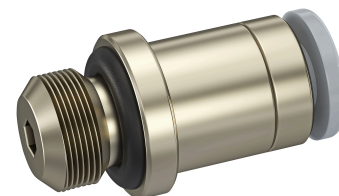
Certificates: RoHS

Min. ambient temperature: -10 °C

Max. ambient temperature: 60 °C

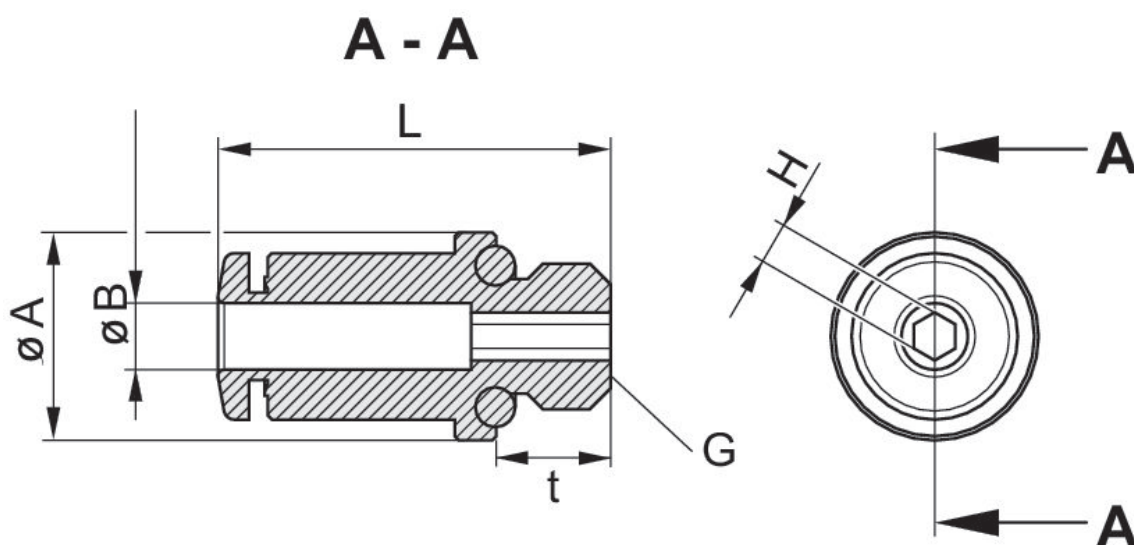
Min. working pressure: 0.95 bar

Max. working pressure: 10 bar



G	Delivery unit [piece]	Material	Part No.
M7x1	10	Brass, nickel-plated	K599AU571903710
M7x1	2	Brass, nickel-plated	K599AU571903712
M7x1	5	Brass, nickel-plated	K599AU571903715
M7x1	10	Brass, nickel-plated	K599AU571903720
M7x1	2	Brass, nickel-plated	K599AU571903722
M7x1	5	Brass, nickel-plated	K599AU571903725
M7x1	10	Brass, nickel-plated	K599AU571903740
M7x1	2	Brass, nickel-plated	K599AU571903742
M7x1	5	Brass, nickel-plated	K599AU571903745
M7x1	10	Brass, nickel-plated	K599AU571903760
M7x1	2	Brass, nickel-plated	K599AU571903762
M7x1	5	Brass, nickel-plated	K599AU571903765
M7x1	2	Brass, nickel-plated	K599AU571903732
M7x1	5	Brass, nickel-plated	K599AU571903735
M7x1	10	Brass, nickel-plated	K599AU571903730

Dimensions



Part No.	Port G t=depth of thread	A	B	L	H	Delivery quantity	Recommend- ed tighten- ing torque
K599AU571903732	M7x1 t=5,5	10	3	18,9	2	2	3,5 ± 0,5 Nm
K599AU571903735	M7x1 t=5,5	10	3	18,9	2	5	3,5 ± 0,5 Nm
K599AU571903730	M7x1 t=5,5	10	3	18,9	2	10	3,5 ± 0,5 Nm
K599AU571903712	M7x1 t=5,5	10	1/8"	18,9	2	2	3,5 ± 0,5 Nm
K599AU571903715	M7x1 t=5,5	10	1/8"	18,9	2	5	3,5 ± 0,5 Nm
K599AU571903710	M7x1 t=5,5	10	1/8"	18,9	2	10	3,5 ± 0,5 Nm
K599AU571903742	M7x1 t=5,5	10	4 mm+5/32"	20,55	3	2	3,5 ± 0,5 Nm
K599AU571903745	M7x1 t=5,5	10	4 mm+5/32"	20,55	3	5	3,5 ± 0,5 Nm
K599AU571903740	M7x1 t=5,5	10	4 mm+5/32"	20,55	3	10	3,5 ± 0,5 Nm
K599AU571903762	M7x1 t=5,5	10	6	20,5	4	2	3,5 ± 0,5 Nm
K599AU571903765	M7x1 t=5,5	10	6	20,5	4	5	3,5 ± 0,5 Nm
K599AU571903760	M7x1 t=5,5	10	6	20,5	4	10	3,5 ± 0,5 Nm
K599AU571903722	M7x1 t=5,5	10	1/4"	20,5	4	2	3,5 ± 0,5 Nm
K599AU571903725	M7x1 t=5,5	10	1/4"	20,5	4	5	3,5 ± 0,5 Nm
K599AU571903720	M7x1 t=5,5	10	1/4"	20,5	4	10	3,5 ± 0,5 Nm

Straight fitting, M7x1, Screw

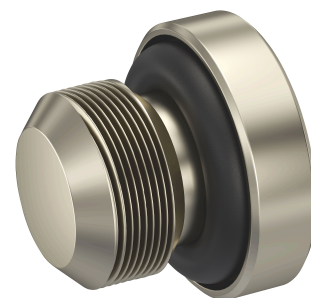
Certificates: RoHS

Min. ambient temperature: -10 °C

Max. ambient temperature: 60 °C

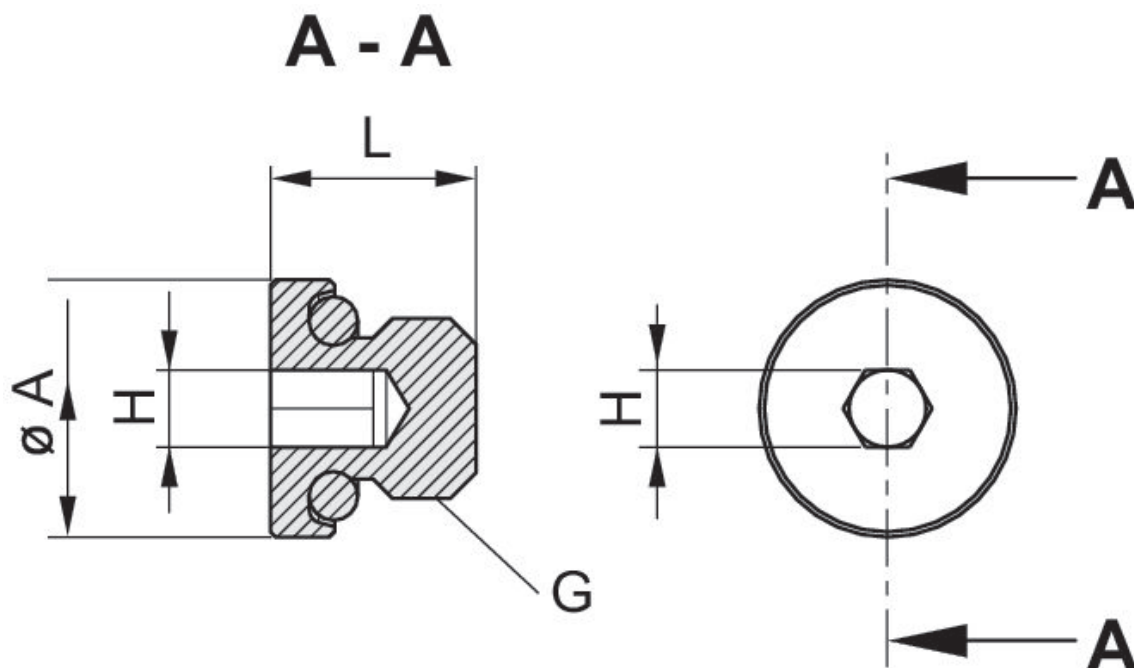
Min. working pressure: 0.95 bar

Max. working pressure: 10 bar



G	Delivery unit [piece]	Material	Part No.
M7x1	10	Brass, nickel-plated	K599AU571903790
M7x1	5	Brass, nickel-plated	K599AU571903795
M7x1	2	Brass, nickel-plated	K599AU571903792

Dimensions



Part No.	Port G	A	L	H	Delivery quantity	Recommended tightening torque
K599AU571903792	M7x1	10	8	3	2	3,5 ± 0,5 Nm
K599AU571903795	M7x1	10	8	3	5	3,5 ± 0,5 Nm
K599AU571903790	M7x1	10	8	3	10	3,5 ± 0,5 Nm

Straight fitting, 1/8" BSP

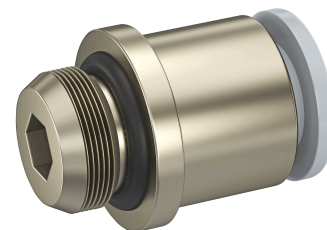
Certificates: RoHS

Min. ambient temperature: -10 °C

Max. ambient temperature: 60 °C

Min. working pressure: 0.95 bar

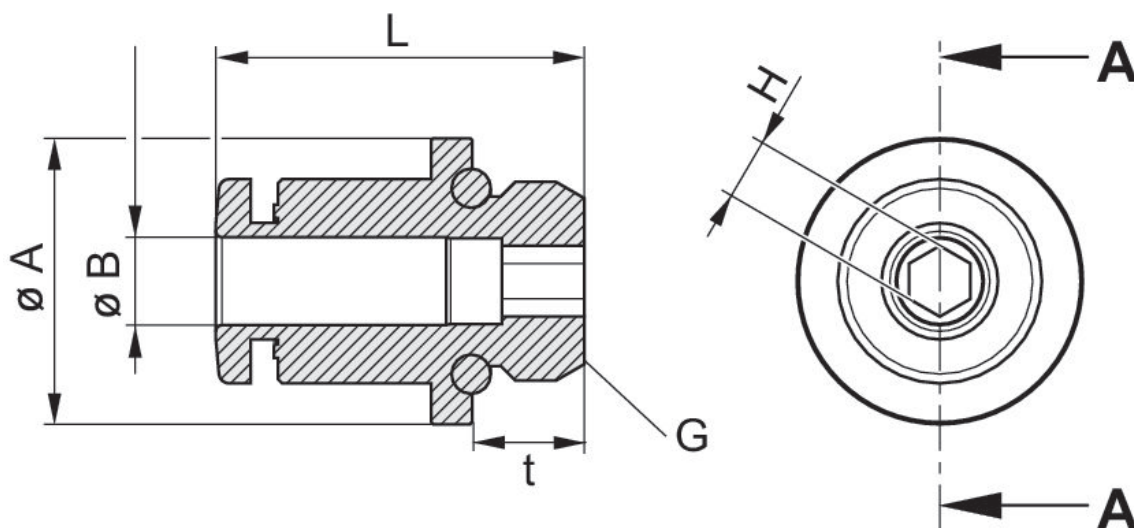
Max. working pressure: 10 bar



G	Delivery unit [piece]	Material	Part No.
1/8" BSP	10	Brass, nickel-plated	K599AU571903140
1/8" BSP	5	Brass, nickel-plated	K599AU571903145
1/8" BSP	10	Brass, nickel-plated	K599AU571903160
1/8" BSP	2	Brass, nickel-plated	K599AU571903162
1/8" BSP	5	Brass, nickel-plated	K599AU571903165
1/8" BSP	10	Brass, nickel-plated	K599AU571903180
1/8" BSP	2	Brass, nickel-plated	K599AU571903182
1/8" BSP	5	Brass, nickel-plated	K599AU571903185
1/8" BSP	2	Brass, nickel-plated	K599AU571903142

Dimensions

A - A



Part No.	Port G t=depth of thread	A	B	L	H	Delivery quantity	Recommend- ed tighten- ing torque
K599AU571903142	1/8" BSP t=5,5	14	4-5/32"	18,05	3	2	6,0 ± 1,2 Nm
K599AU571903145	1/8" BSP t=5,5	14	4-5/32"	18,05	3	5	6,0 ± 1,2 Nm
K599AU571903140	1/8" BSP t=5,5	14	4-5/32"	18,05	3	10	6,0 ± 1,2 Nm
K599AU571903162	1/8" BSP t=5,5	14	6	19,65	4	2	6,0 ± 1,2 Nm
K599AU571903165	1/8" BSP t=5,5	14	6	19,65	4	5	6,0 ± 1,2 Nm
K599AU571903160	1/8" BSP t=5,5	14	6	19,65	4	10	6,0 ± 1,2 Nm
K599AU571903182	1/8" BSP t=5,5	14	8	24,75	6*	2	6,0 ± 1,2 Nm
K599AU571903185	1/8" BSP t=5,5	14	8	24,75	6*	5	6,0 ± 1,2 Nm
K599AU571903180	1/8" BSP t=5,5	14	8	24,75	6*	10	6,0 ± 1,2 Nm

* The length of the clamping tool should be at least 14 mm.

Straight fitting, 1/4" BSP

Certificates: RoHS

Min. ambient temperature: -10 °C

Max. ambient temperature: 60 °C

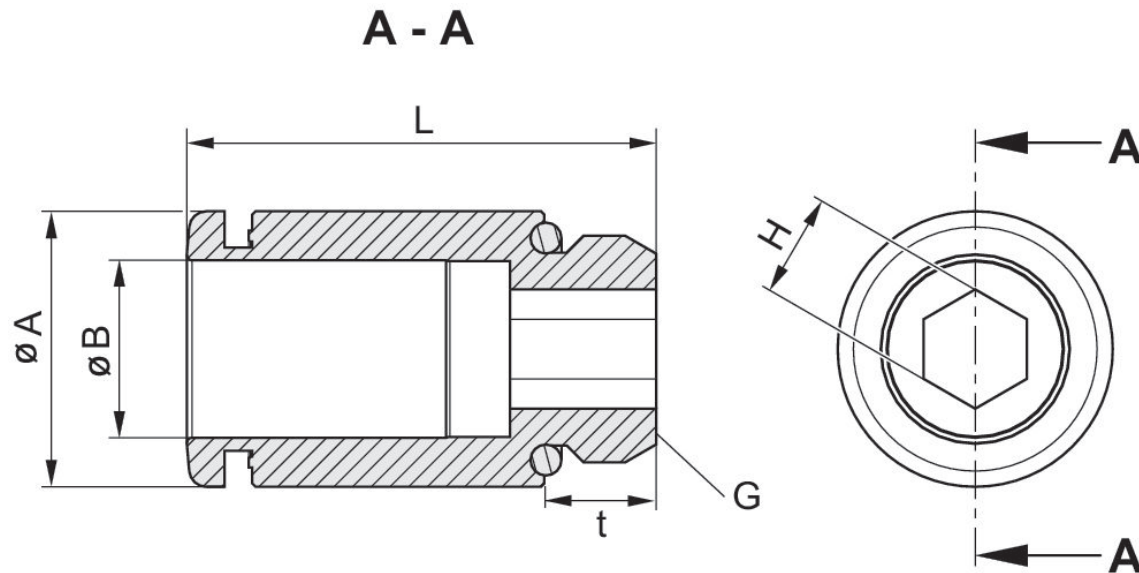
Min. working pressure: 0.95 bar

Max. working pressure: 10 bar



G	Delivery unit [piece]	Material	Part No.
1/4" BSP	10	Brass, nickel-plated	K599AU571903200
1/4" BSP	2	Brass, nickel-plated	K599AU571903202
1/4" BSP	5	Brass, nickel-plated	K599AU571903205
1/4" BSP	10	Brass, nickel-plated	K599AU571903280
1/4" BSP	5	Brass, nickel-plated	K599AU571903285
1/4" BSP	10	Brass, nickel-plated	K599AU571903290
1/4" BSP	2	Brass, nickel-plated	K599AU571903292
1/4" BSP	5	Brass, nickel-plated	K599AU571903295
1/4" BSP	2	Brass, nickel-plated	K599AU571903282

Dimensions



Part No.	Port G t=depth of thread	A	B	L	H	Delivery quantity	Recommend- ed tighten- ing torque
K599AU571903282	1/4" BSP t=6,5	16	8-5/16"	21,75	6*	2	7,5 ± 1,5 Nm

Part No.	Port G t=depth of thread	A	B	L	H	Delivery quantity	Recommend- ed tighten- ing torque
K599AU571903285	1/4" BSP t=6,5	16	8-5/16"	21,75	6*	5	7,5 ± 1,5 Nm
K599AU571903280	1/4" BSP t=6,5	16	8-5/16"	21,75	6*	10	7,5 ± 1,5 Nm
K599AU571903202	1/4" BSP t=6,5	16	10	27,3	6	2	7,5 ± 1,5 Nm
K599AU571903205	1/4" BSP t=6,5	16	10	27,3	6	5	7,5 ± 1,5 Nm
K599AU571903200	1/4" BSP t=6,5	16	10	27,3	6	10	7,5 ± 1,5 Nm
K599AU571903292	1/4" BSP t=6,5	19	12	30,3	6	2	7,5 ± 1,5 Nm
K599AU571903295	1/4" BSP t=6,5	19	12	30,3	6	5	7,5 ± 1,5 Nm
K599AU571903290	1/4" BSP t=6,5	19	12	30,3	6	10	7,5 ± 1,5 Nm

* The length of the clamping tool should be at least 14 mm.

Straight fitting, 1/8" NPT

Certificates: RoHS

Min. ambient temperature: -10 °C

Max. ambient temperature: 60 °C

Min. working pressure: 0.95 bar

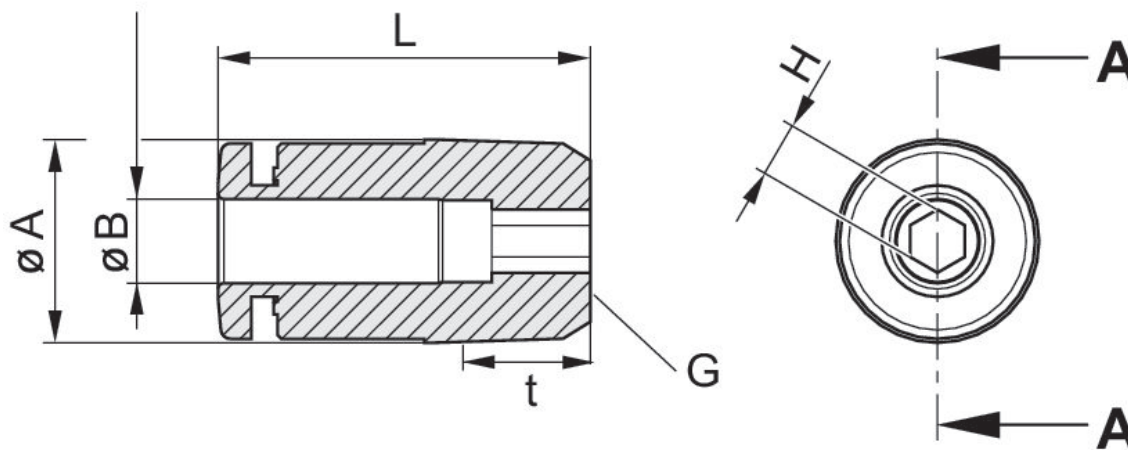
Max. working pressure: 10 bar



G	Delivery unit [piece]	Material	Part No.
NPT 1/8"	2	Brass, nickel-plated	K599AU571903542
NPT 1/8"	5	Brass, nickel-plated	K599AU571903545
NPT 1/8"	10	Brass, nickel-plated	K599AU571903540
NPT 1/8"	2	Brass, nickel-plated	K599AU571903522
NPT 1/8"	5	Brass, nickel-plated	K599AU571903525
NPT 1/8"	10	Brass, nickel-plated	K599AU571903520
NPT 1/8"	2	Brass, nickel-plated	K599AU571903582
NPT 1/8"	5	Brass, nickel-plated	K599AU571903585
NPT 1/8"	10	Brass, nickel-plated	K599AU571903580

Dimensions

A - A



Part No.	Port G t=depth of thread	A	B	L	H	Delivery quantity	Recommend- ed tighten- ing torque
K599AU571903542	1/8" NPT t=8,5	10.4	4 mm + 5/32"	19.05	7/64"	2	3 - 4 Nm

Part No.	Port G t=depth of thread	A	B	L	H	Delivery quantity	Recommend- ed tighten- ing torque
K599AU571903545	1/8" NPT t=8,5	10.4	4 mm + 5/32"	19.05	7/64"	5	3 - 4 Nm
K599AU571903540	1/8" NPT t=8,5	10.4	4 mm + 5/32"	19.05	7/64"	10	3 - 4 Nm
K599AU571903522	1/8" NPT t=8,5	13	1/4"	22,3	5/32"	2	3 - 4 Nm
K599AU571903525	1/8" NPT t=8,5	13	1/4"	22,3	5/32"	5	3 - 4 Nm
K599AU571903520	1/8" NPT t=8,5	13	1/4"	22,3	5/32"	10	3 - 4 Nm
K599AU571903582	1/8" NPT t=8,5	14	8 mm + 5/16"	26,75	7/32" *	2	3 - 4 Nm
K599AU571903585	1/8" NPT t=8,5	14	8 mm + 5/16"	26,75	7/32" *	5	3 - 4 Nm
K599AU571903580	1/8" NPT t=8,5	14	8 mm + 5/16"	26,75	7/32" *	10	3 - 4 Nm

* The length of the clamping tool should be at least 20 mm.

Straight fitting, 1/4" NPT

Certificates: RoHS

Min. ambient temperature: -10 °C

Max. ambient temperature: 60 °C

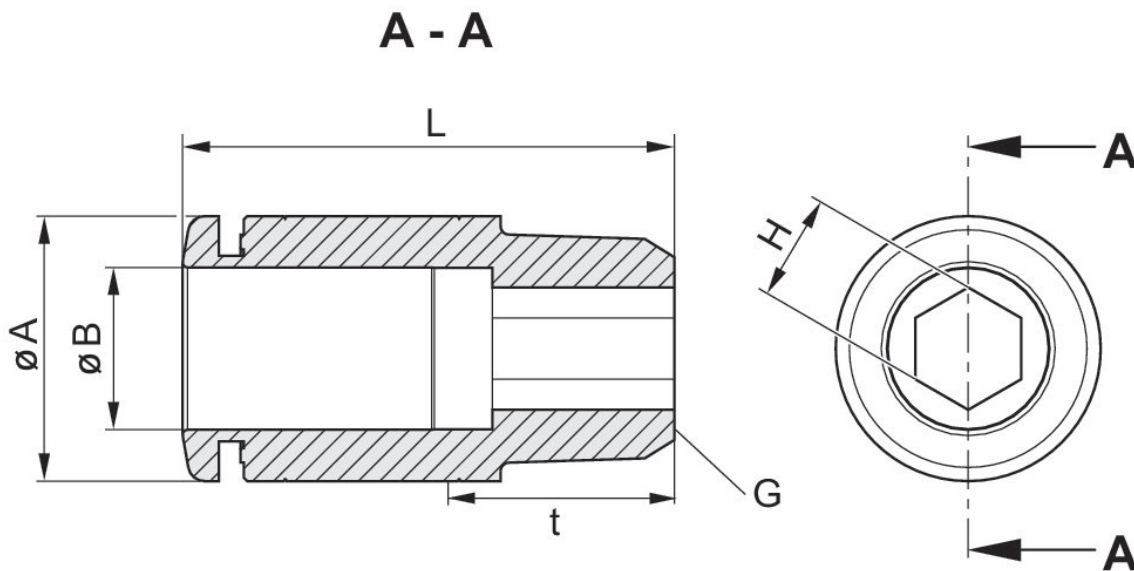
Min. working pressure: 0.95 bar

Max. working pressure: 10 bar



G	Delivery unit [piece]	Material	Part No.
NPT 1/4"	2	Brass, nickel-plated	K599AU571903682
NPT 1/4"	5	Brass, nickel-plated	K599AU571903685
NPT 1/4"	10	Brass, nickel-plated	K599AU571903680
NPT 1/4"	2	Brass, nickel-plated	K599AU571903632
NPT 1/4"	5	Brass, nickel-plated	K599AU571903635
NPT 1/4"	10	Brass, nickel-plated	K599AU571903630
NPT 1/4"	2	Brass, nickel-plated	K599AU571903692
NPT 1/4"	5	Brass, nickel-plated	K599AU571903695
NPT 1/4"	10	Brass, nickel-plated	K599AU571903690

Dimensions



Part No.	Port G t=depth of thread	A	B	L	H	Delivery quantity	Recommend- ed tighten- ing torque
K599AU571903682	1/4" NPT t=10,5	14	8 mm + 5/16"	25.25	7/32" *	2	7 - 12 Nm

Part No.	Port G t=depth of thread	A	B	L	H	Delivery quantity	Recommend- ed tighten- ing torque
K599AU571903685	1/4" NPT t=10,5	14	8 mm + 5/16"	25,25	7/32" *	5	7 - 12 Nm
K599AU571903680	1/4" NPT t=10,5	14	8 mm + 5/16"	25,25	7/32" *	10	7 - 12 Nm
K599AU571903632	1/4" NPT t=10,5	16	3/8"	29,7	1/4"	2	7 - 12 Nm
K599AU571903635	1/4" NPT t=10,5	16	3/8"	29,7	1/4"	5	7 - 12 Nm
K599AU571903630	1/4" NPT t=10,5	16	3/8"	29,7	1/4"	10	7 - 12 Nm
K599AU571903692	1/4" NPT t=10,5	19	1/2"	33,9	3/8" *	2	7 - 12 Nm
K599AU571903695	1/4" NPT t=10,5	19	1/2"	33,9	3/8" *	5	7 - 12 Nm
K599AU571903690	1/4" NPT t=10,5	19	1/2"	33,9	3/8" *	10	7 - 12 Nm

* The length of the clamping tool should be at least 20 mm.

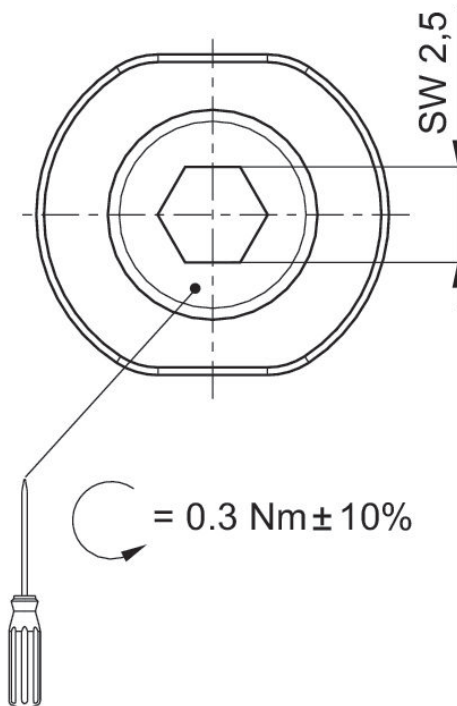
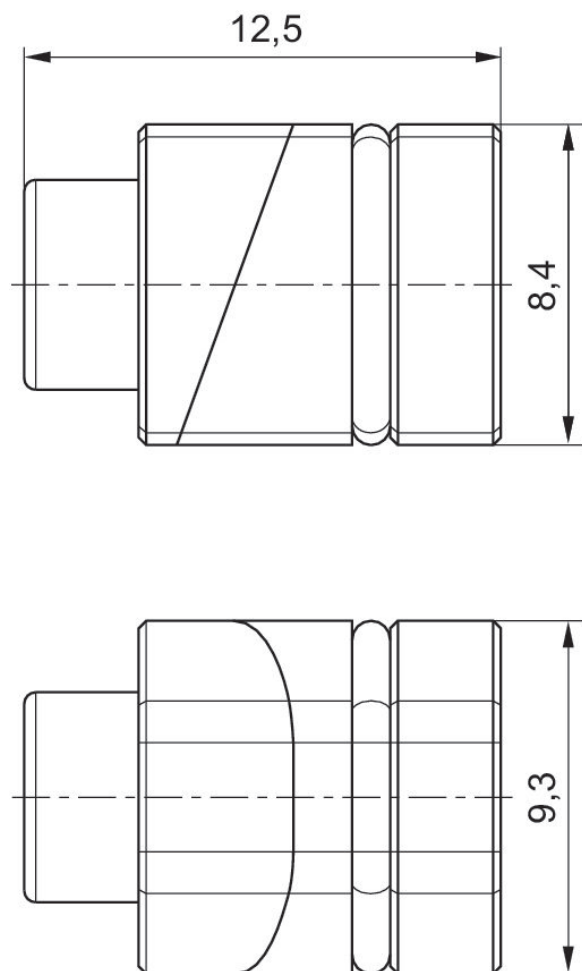
Separator for channel 1, 3, 5

Min. ambient temperature: -10 °C
 Max. ambient temperature: 50 °C
 Min. working pressure: -0.95 bar
 Max. working pressure: 8 bar



Delivery unit [piece]	Weight [kg]	Part No.
10	0.004	P573AD568819001

Dimensions



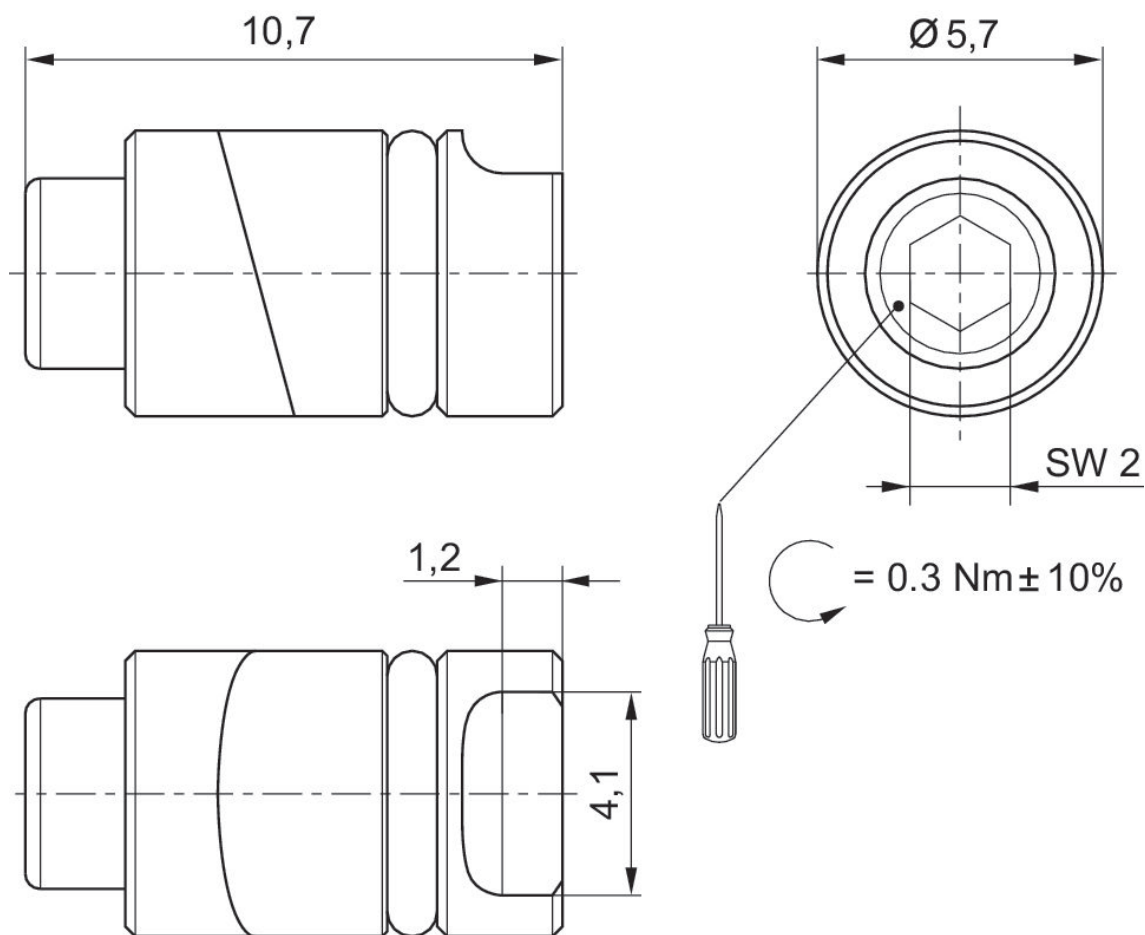
Separator for channel X

Min. ambient temperature: -10 °C
 Max. ambient temperature: 50 °C
 Min. working pressure: 3 bar
 Max. working pressure: 8 bar

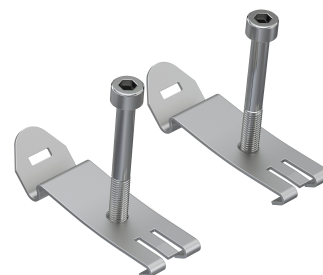


Delivery unit [piece]	Weight [kg]	Part No.
10	0.002	P573AD569066001

Dimensions

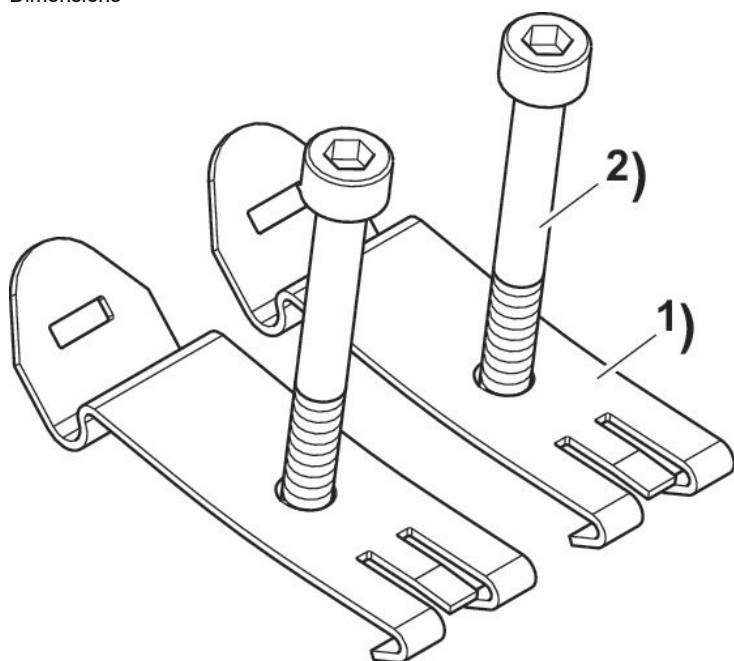


Mounting kit for DIN rail XV05



Delivery unit [piece]	Part No.
2	P573AU569467002

Dimensions



- 1) DIN rail
- 2) Hexagon screw M5x45

Efficient pneumatic solutions, our program:
cylinders and drives, valves and valve systems,
air supply management, proportional pressure
control valves



EMERSON
Pneumatic Solutions

EMERSON
Pneumatic Solutions
AVENTICS



The Emerson logo is a trademark and service mark of Emerson Electric Co. AVENTICS is a registered trademark of one of the Emerson family of companies. All other trademarks are the property of their respective owners. © 2020 Emerson Electric Co. All rights reserved.



CONSIDER IT SOLVED™