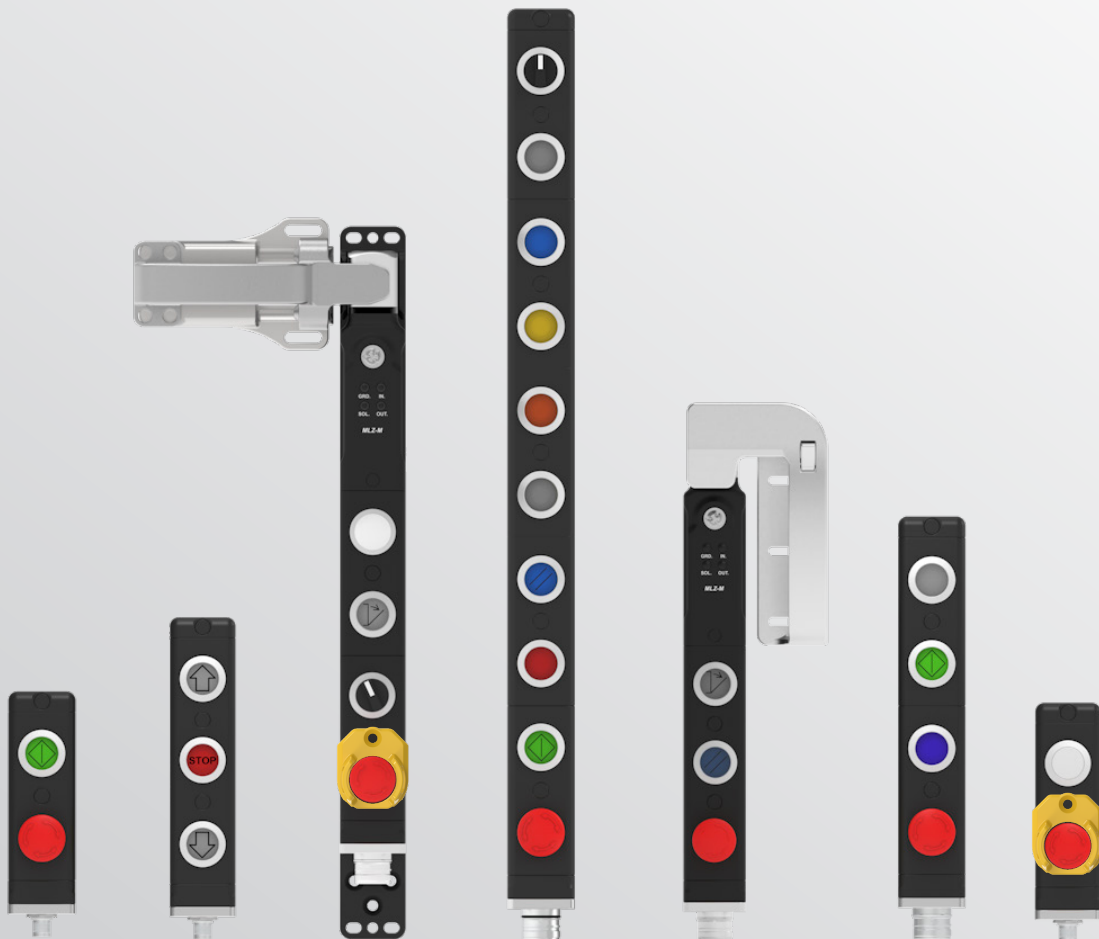




DISTRIBUTED BY:
Air-Oil Systems, Inc.
AUTOMATION SOLUTIONS
753 WAMBOLD ROAD SOUDERTON, PA 18964-2715
215.721.9595 800.333.5520 FAX 215.721.7666
www.airoil.com

IDEM Safety Switches

DS Range: Configurable Access and Control



Leading Manufacturer of Machine Safety Switches & Solutions



What We Do

IDEM designs and manufactures machine safety products, that make industry safer.



Proud Winners of

The Queen's Award for Enterprise: International Trade 2022

The King's Award for Enterprise: Innovation 2023

The King's Award for Enterprise: Innovation 2024

Our History

1985

The founder of IDEM, Medi Mohtasham begins his employment at EJA Engineering where he designed Trojan, Atlas, Rotacam and LRS1 under the Guardmaster brand. Rockwell Automation acquires EJA in 1996.

2003

Medi leaves his position as Technical Director of Rockwell to create IDEM Safety Switches, with the vision to develop the 'Next Generation' of Safety Switches, designed and manufactured in the UK.

2005

IDEM manufactures the GuardianLine range of safety rope switches, specialising in products for the Food Industry, Explosion Proof applications and Factory Automation.

Present

Today IDEM operates globally, providing reliable, cost-effective safety interlock solutions that save lives. IDEM continues to invest in new ways to protect your personnel and improve your productivity.

Why Choose IDEM?



Global leadership in the design and manufacture of machine safety products since 1985.



IDEM's global headquarters is based in the UK with offices in the USA and Europe.



Privately owned business with in house sales, R&D and technical support teams.



Renowned for world-class product quality and reliability on a global scale.



State-of-the-art manufacturing and test facilities. This includes Ingress Protection (IP) and Shock testing.



Exceptional delivery time for both small and large orders. We put the customers' needs first.

INTRODUCTION TO DS AND DS-MLZ RANGE

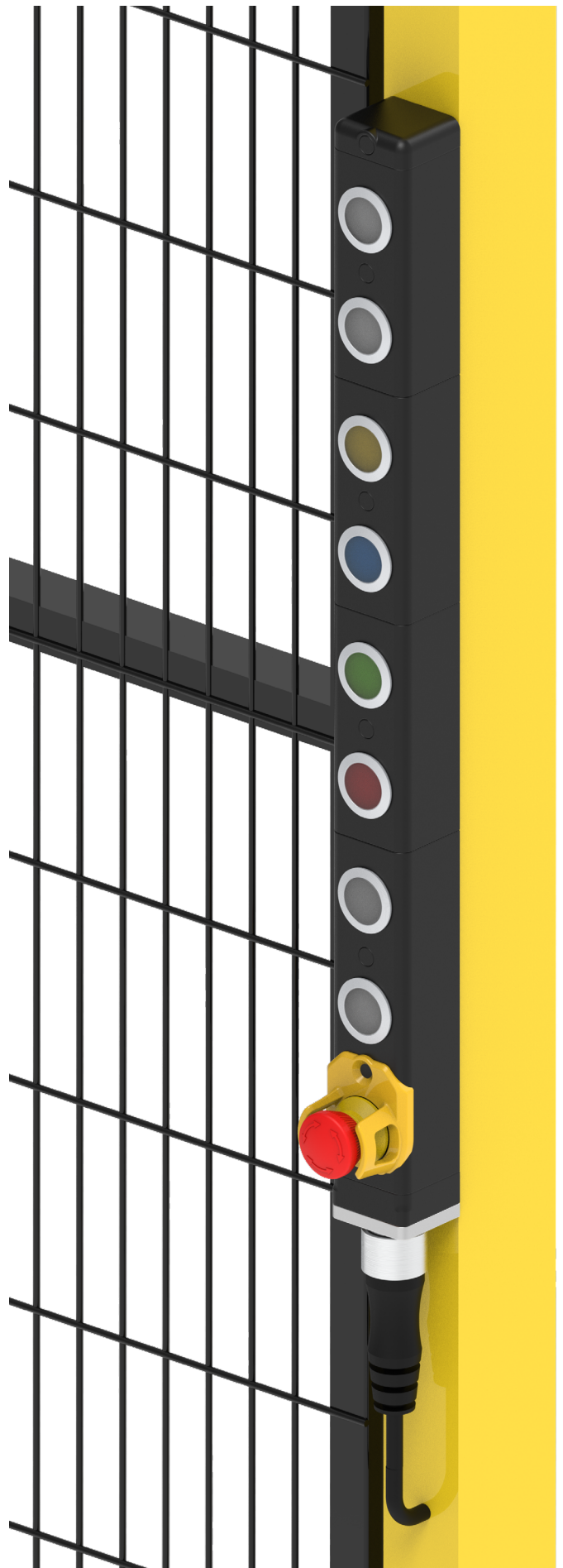
The DS Range is a robust, metal-housed control solution designed to combine multiple machine safety and control functions within a single compact unit. It allows flexible integration of electrical safety switches with or without guard locking and operator control devices, which can be used individually or combined into one cohesive assembly.

Built around a modular concept, the DS Range delivers a tailored safety configuration using standardised components. Options include selector switches, solenoid safety switches, escape release mechanisms, pushbuttons, emergency stops, indicator lights, and a variety of operating handles suitable for both hinged and sliding guards. The durable metal enclosure features integrated fixing points for fast installation on aluminium profiles, flat surfaces, doors, or panel rears without additional mounting hardware. Rated to IP65 as standard, the DS Range is engineered to meet applicable machinery safety requirements while simplifying installation and system design.

- ▶ Configurable push button stations
- ▶ Pre-wired design for plug-and-play connectivity
- ▶ Optional guard locking functionality with RFID
- ▶ Heavy-duty design - manufactured from die-cast metal

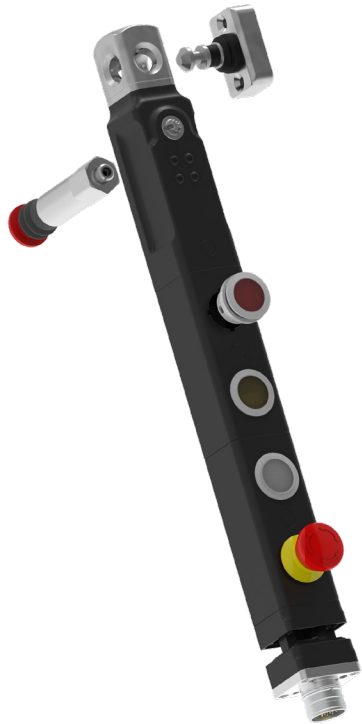
OPTIONAL GUARD LOCKING (DS-MLZ)

The DS-MLZ offers a Type 4 monitored guard lock with a high-coded RFID actuator for tamper-resistant detection. It provides a 4000N holding force for both hinged and sliding guards, with lock and presence monitoring suitable for integration into PL e / SIL 3 safety systems.



DS RANGE FEATURES AND BENEFITS

FULLY CONFIGURABLE



SAFETY AND CONTROL YOUR WAY

The DS Range offers thousands of possible configurations to suit a wide variety of machine safety applications, from simple installations to more complex requirements. With a choice of button, lens, legend and device options, plus plug-and-play connectivity, each unit can be tailored to specific needs while enabling fast installation, simpler commissioning and reduced setup time.

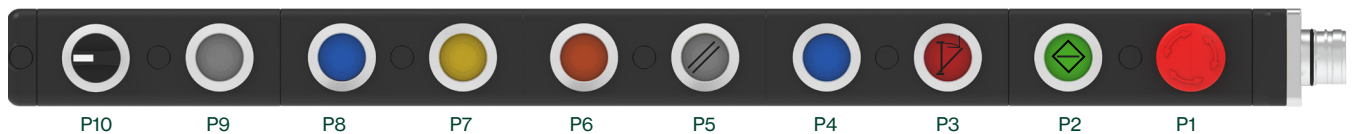
BUILT TO LAST

Built for demanding industrial environments, the DS Range features heavy-duty die-cast metal construction for reliable, long-term performance in tough machine safety applications, helping resist impact, wear and harsh operating conditions while reducing maintenance.

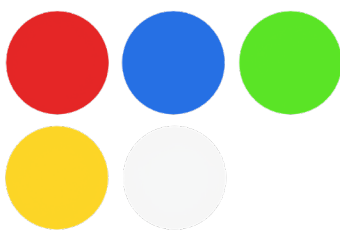
REDUCE YOUR INSTALLATION TIME AND COST

The DS Range is quick and cost-effective to install, with simple through-hole mounting onto 40 mm extrusion, pre-assembled buttons, and a pre-wired plug-and-play connector. Ready to use out of the box, it helps reduce installation time and commissioning costs.

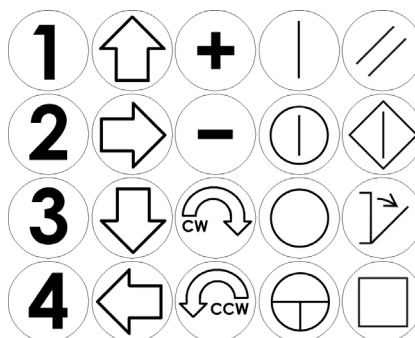
SCALES TO 10 DEVICES FOR BOTH SIMPLE AND COMPLEX REQUIREMENTS



Supplied with a colour lens pack, the DS Range can be easily configured to suit different functions and application requirements during installation.



Every unit is supplied with an ISO symbol pack, providing clear button identification using internationally recognised symbols.



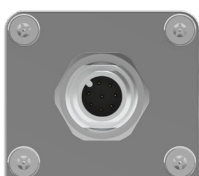
E-stop available in position 1. **Optional metal shroud supplied with every purchase.**



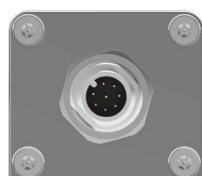
Innovative shroud design ensures palm activation during operation while maintaining full visibility of the emergency stop from all angles.

CONNECTOR OPTIONS

Available with a comprehensive range of connector options to suit a variety of configurations, larger DS units will require increased I/O capacity.



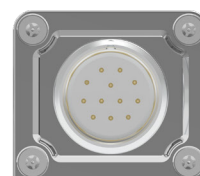
M12 5 PIN



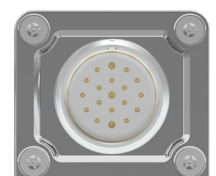
M12 8 PIN



M12 12 PIN



M23 12 PIN

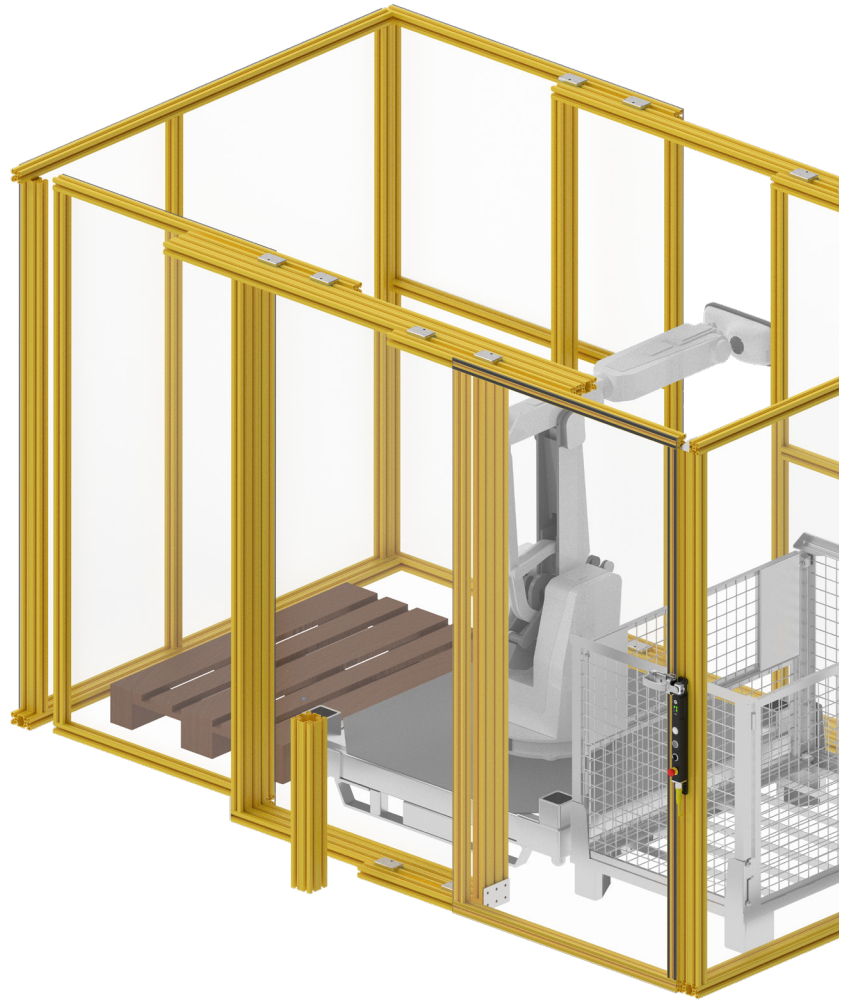
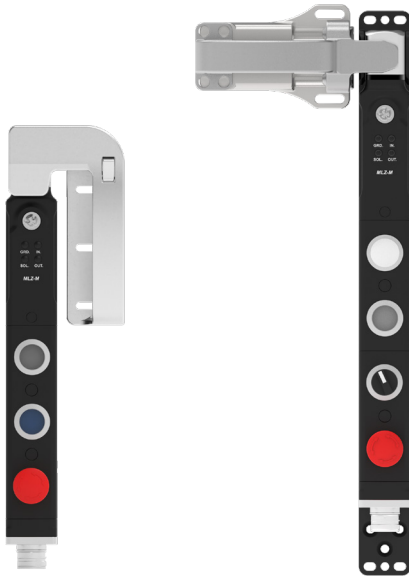


M23 19 PIN

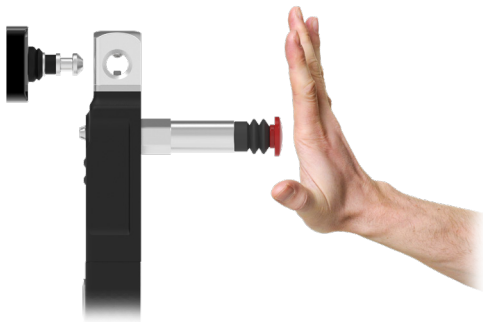
INSTALLATION AND ACCESSORY OPTIONS

EASY INSTALLATION ON ANY MACHINE

The DS Range is designed for straightforward integration across a wide variety of machine safety applications, making it an ideal choice for new and existing installations. Its versatile design allows it to be easily applied to hinged and sliding guards, helping machine builders and end users implement reliable guard locking with minimal complexity.



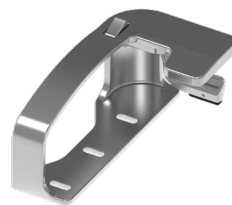
ACCESSORIES



Optional Rear Release Button Compatible with any DS-MLZ Guard Locking Device

Installed on the interior of the safety guard, this accessory allows personnel to unlock the guard and exit safely, ensuring compliance with emergency egress requirements. Built with durable materials and engineered for ease of use, it integrates seamlessly with existing safety systems, enhancing both safety and peace of mind in critical situations.

Part Number: 470401



Single Action Handle for Hinged Door Arrangements

Equipped with a built-in anti-latching mechanism, the handle ensures secure operation by requiring a button press to re-close the access point, preventing accidental relatching.

Part Number: 470410-L
Part Number: 470410-R



Sliding Handle and Mounting Bracket (2-5WAY)

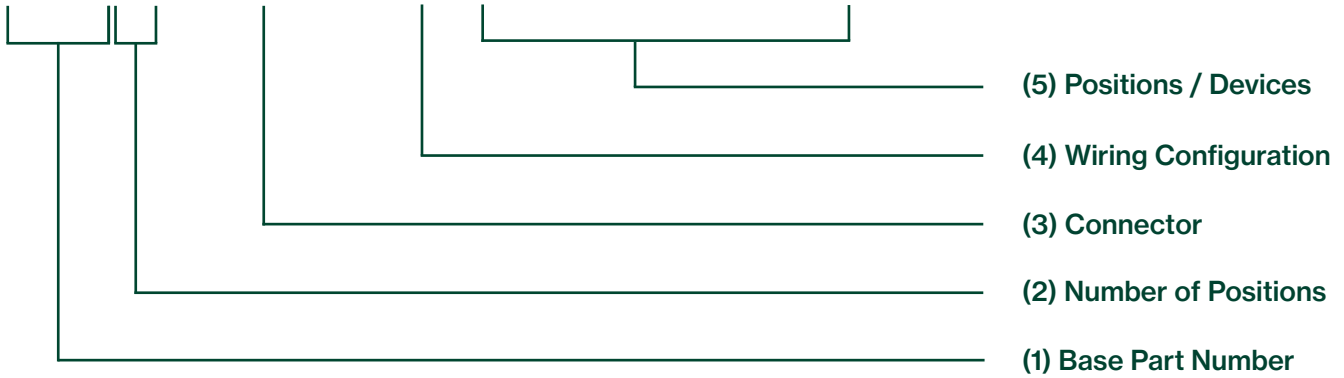
Manufactured from robust die-cast metal and 316 stainless steel. Compatible with both left- or right-hand orientation, providing full flexibility when designing and installing your DS device.

Part Number: 473350

UNDERSTANDING THE PART NUMBERS

The DS Range is easy to configure, with pre-selected part numbers available for units up to 5-way. For 6-way and above, please visit our online configurator at dsconfigurator.idemsafety.com. Every purchase includes a coloured lens pack, lens decal, and optional emergency stop shroud.

475005 - M2319P - CC - BL - BL - SL - L - L



DEVICE DESCRIPTIONS

CONTROL DEVICES

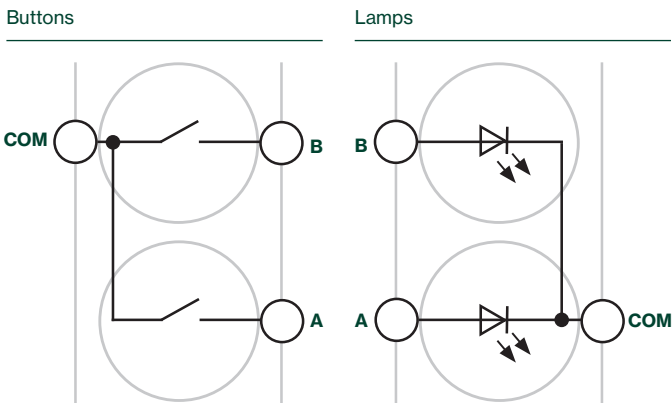
- (B) Button
- (S) Selector Switch
- (E) Emergency Stop
- (L) Lamp

ILLUMINATED CONTROL DEVICES

- (BL) Illuminated Button
- (SL) Illuminated Selector Switch
- (EL) Illuminated Emergency Stop

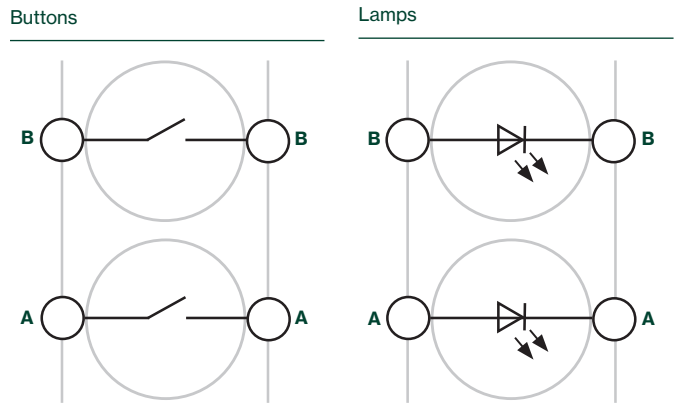
WIRING CONFIGURATIONS

COMMON



Common wiring simplifies installation by allowing multiple devices to share a common electrical connection, reducing the number of individual wires required.

INDIVIDUAL



Individual wiring gives each device its own dedicated electrical connection.

Plug-and-play connectivity is available across all wiring configurations.

DEVICE STATION PART NUMBERS - 2 DEVICES

Connector Type	Wiring Configuration	Device Layout	Part Number
M12-5P	Common	E, X	475002-M125P-CC-E-X
		B, B	475002-M125P-IC-B-B
	Individual	B, L	475002-M125P-IC-B-L
		B, S	475002-M125P-IC-B-S
		S, L	475002-M125P-IC-S-L
M12-8P	Individual	BL, BL	475002-M128P-IC-BL-BL
		BL, L	475002-M128P-IC-BL-L
		BL, SL	475002-M128P-IC-BL-SL
		E, B	475002-M128P-IC-E-B
		E, S	475002-M128P-IC-E-S
M12-12P	Individual	SL, L	475002-M128P-IC-SL-L
		EL, BL	475002-M1212P-IC-EL-BL
		EL, SL	475002-M1212P-IC-EL-SL
		EL, BL	475002-M2312P-IC-EL-BL
		EL, SL	475002-M2312P-IC-EL-SL

DEVICE STATION PART NUMBERS - 3 DEVICES

Connector Type	Button Configuration	Device Layout	Part Number	
M12-5P	Common	B, B, B	475003-M125P-CC-B-B-B	
		B, B, S	475003-M125P-CC-B-B-S	
M12-8P		Common	BL, BL, L	475003-M128P-CC-BL-BL-L
			BL, SL, L	475003-M128P-CC-BL-SL-L
		Individual	Common	E, B, B
E, B, S	475003-M128P-CC-E-B-S			
Individual	B, B, B		475003-M128P-IC-B-B-B	
	B, B, L		475003-M128P-IC-B-B-L	
M12-12P	Common	B, B, S	475003-M128P-IC-B-B-S	
		B, S, L	475003-M128P-IC-B-S-L	
	Individual	Common	EL, BL, BL	475003-M1212P-CC-EL-BL-BL
			EL, BL, SL	475003-M1212P-CC-EL-BL-SL
		Individual	BL, BL, BL	475003-M1212P-IC-BL-BL-BL
			BL, BL, L	475003-M1212P-IC-BL-BL-L
			BL, BL, SL	475003-M1212P-IC-BL-BL-SL
			BL, SL, L	475003-M1212P-IC-BL-SL-L
			E, BL, BL	475003-M1212P-IC-E-BL-BL
			E, BL, SL	475003-M1212P-IC-E-BL-SL
EL, BL, L	475003-M1212P-IC-EL-BL-L			
EL, SL, L	475003-M1212P-IC-EL-SL-L			
M23-12P	Common	EL, BL, BL	475003-M2312P-CC-EL-BL-BL	
		EL, BL, SL	475003-M2312P-CC-EL-BL-SL	
	Individual	Common	BL, BL, BL	475003-M2312P-IC-BL-BL-BL
			BL, BL, L	475003-M2312P-IC-BL-BL-L
		Individual	BL, BL, SL	475003-M2312P-IC-BL-BL-SL
			BL, SL, L	475003-M2312P-IC-BL-SL-L
			E, BL, BL	475003-M2312P-IC-E-BL-BL
			E, BL, SL	475003-M2312P-IC-E-BL-SL
			EL, BL, L	475003-M2312P-IC-EL-BL-L
			EL, SL, L	475003-M2312P-IC-EL-SL-L
			EL, BL, BL	475003-M2319P-IC-EL-BL-BL
			EL, BL, SL	475003-M2319P-IC-EL-BL-SL
			M23-19P	

DEVICE STATION PART NUMBERS - 4 DEVICES

Connector Type	Button Configuration	Device Layout	Part Number
M12-8P	Common	B, B, B, B	475004-M128P-CC-B-B-B-B
		B, B, B, L	475004-M128P-CC-B-B-B-L
		B, B, B, S	475004-M128P-CC-B-B-B-S
		B, B, S, L	475004-M128P-CC-B-B-S-L
	Individual	B, B, L, L	475004-M128P-IC-B-B-L-L
		B, S, L, L	475004-M128P-IC-B-S-L-L
M12-12P	Common	BL, BL, BL, BL	475004-M1212P-CC-BL-BL-BL-BL
		BL, BL, BL, SL	475004-M1212P-CC-BL-BL-BL-SL
		E, BL, BL, L	475004-M1212P-CC-E-BL-BL-L
		E, BL, SL, L	475004-M1212P-CC-E-BL-SL-L
		EL, B, B, B	475004-M1212P-CC-EL-B-B-B
		EL, B, B, S	475004-M1212P-CC-EL-B-B-S
	Individual	B, B, B, B	475004-M1212P-IC-B-B-B-B
		B, B, B, S	475004-M1212P-IC-B-B-B-S
		BL, BL, BL, L	475004-M1212P-IC-BL-BL-BL-L
		BL, BL, L, L	475004-M1212P-IC-BL-BL-L-L
		BL, BL, SL, L	475004-M1212P-IC-BL-BL-SL-L
		BL, SL, L, L	475004-M1212P-IC-BL-SL-L-L
		E, B, B, B	475004-M1212P-IC-E-B-B-B
		E, B, B, S	475004-M1212P-IC-E-B-B-S
M23-12P	Common	BL, BL, BL, BL	475004-M2312P-CC-BL-BL-BL-BL
		BL, BL, BL, SL	475004-M2312P-CC-BL-BL-BL-SL
		E, BL, BL, L	475004-M2312P-CC-E-BL-BL-L
		E, BL, SL, L	475004-M2312P-CC-E-BL-SL-L
		EL, B, B, B	475004-M2312P-CC-EL-B-B-B
		EL, B, B, S	475004-M2312P-CC-EL-B-B-S
	Individual	B, B, B, B	475004-M2312P-IC-B-B-B-B
		B, B, B, S	475004-M2312P-IC-B-B-B-S
		BL, BL, BL, L	475004-M2312P-IC-BL-BL-BL-L
		BL, BL, L, L	475004-M2312P-IC-BL-BL-L-L
		BL, BL, SL, L	475004-M2312P-IC-BL-BL-SL-L
		BL, SL, L, L	475004-M2312P-IC-BL-SL-L-L
		E, B, B, B	475004-M2312P-IC-E-B-B-B
		E, B, B, S	475004-M2312P-IC-E-B-B-S
M23-19P	Individual	EL, B, B, L	475004-M2312P-IC-EL-B-B-L
		EL, B, S, L	475004-M2312P-IC-EL-B-S-L
		BL, BL, BL, BL	475004-M2319P-IC-BL-BL-BL-BL
		BL, BL, BL, SL	475004-M2319P-IC-BL-BL-BL-SL
		EL, BL, BL, BL	475004-M2319P-IC-EL-BL-BL-BL
		EL, BL, BL, L	475004-M2319P-IC-EL-BL-BL-L
	Individual	EL, BL, BL, SL	475004-M2319P-IC-EL-BL-BL-SL
		EL, BL, SL, L	475004-M2319P-IC-EL-BL-SL-L

DEVICE STATION PART NUMBERS - 5 DEVICES

Connector Type	Button Configuration	Device Layout	Part Number	
M12-8P	Common	B, B, B, B, B	475005-M128P-CC-B-B-B-B-B	
		B, B, B, B, L	475005-M128P-CC-B-B-B-B-L	
		B, B, B, B, S	475005-M128P-CC-B-B-B-B-S	
		B, B, B, L, L	475005-M128P-CC-B-B-B-L-L	
		B, B, B, S, L	475005-M128P-CC-B-B-B-S-L	
		B, B, S, L, L	475005-M128P-CC-B-B-S-L-L	
M12-12P		BL, BL, BL, BL, L	475005-M1212P-CC-BL-BL-BL-BL-L	
		BL, BL, BL, L, L	475005-M1212P-CC-BL-BL-BL-L-L	
		BL, BL, BL, SL, L	475005-M1212P-CC-BL-BL-BL-SL-L	
		BL, BL, SL, L, L	475005-M1212P-CC-BL-BL-SL-L-L	
		EL, B, B, B, B	475005-M1212P-CC-EL-B-B-B-B	
		EL, B, B, B, L	475005-M1212P-CC-EL-B-B-B-L	
		EL, B, B, B, S	475005-M1212P-CC-EL-B-B-B-S	
		EL, B, B, L, L	475005-M1212P-CC-EL-B-B-L-L	
		EL, B, B, S, L	475005-M1212P-CC-EL-B-B-S-L	
		EL, B, S, L, L	475005-M1212P-CC-EL-B-S-L-L	
		individual	B, B, B, B, L	475005-M1212P-IC-B-B-B-B-L
			B, B, B, L, L	475005-M1212P-IC-B-B-B-L-L
B, B, B, S, L	475005-M1212P-IC-B-B-B-S-L			
B, B, S, L, L	475005-M1212P-IC-B-B-S-L-L			
E, B, B, L, L	475005-M1212P-IC-E-B-B-L-L			
E, B, S, L, L	475005-M1212P-IC-E-B-S-L-L			
M23-12P	Common	BL, BL, BL, BL, L	475005-M2312P-CC-BL-BL-BL-BL-L	
		BL, BL, BL, L, L	475005-M2312P-CC-BL-BL-BL-L-L	
		BL, BL, BL, SL, L	475005-M2312P-CC-BL-BL-BL-SL-L	
		BL, BL, SL, L, L	475005-M2312P-CC-BL-BL-SL-L-L	
		EL, B, B, B, B	475005-M2312P-CC-EL-B-B-B-B	
		EL, B, B, B, L	475005-M2312P-CC-EL-B-B-B-L	
		EL, B, B, B, S	475005-M2312P-CC-EL-B-B-B-S	
		EL, B, B, L, L	475005-M2312P-CC-EL-B-B-L-L	
		EL, B, B, S, L	475005-M2312P-CC-EL-B-B-S-L	
		EL, B, S, L, L	475005-M2312P-CC-EL-B-S-L-L	
		individual	B, B, B, B, L	475005-M2312P-IC-B-B-B-B-L
			B, B, B, L, L	475005-M2312P-IC-B-B-B-L-L
B, B, B, S, L	475005-M2312P-IC-B-B-B-S-L			
B, B, S, L, L	475005-M2312P-IC-B-B-S-L-L			
E, B, B, L, L	475005-M2312P-IC-E-B-B-L-L			
E, B, S, L, L	475005-M2312P-IC-E-B-S-L-L			
M23-19P	Individual	BL, BL, BL, BL, L	475005-M2319P-IC-BL-BL-BL-BL-L	
		BL, BL, BL, L, L	475005-M2319P-IC-BL-BL-BL-L-L	
		BL, BL, BL, SL, L	475005-M2319P-IC-BL-BL-BL-SL-L	
		BL, BL, SL, L, L	475005-M2319P-IC-BL-BL-SL-L-L	
		EL, BL, BL, BL, BL	475005-M2319P-IC-EL-BL-BL-BL-BL	
		EL, BL, BL, BL, L	475005-M2319P-IC-EL-BL-BL-BL-L	
		EL, BL, BL, BL, SL	475005-M2319P-IC-EL-BL-BL-BL-SL	
		EL, BL, BL, L, L	475005-M2319P-IC-EL-BL-BL-L-L	
		EL, BL, BL, SL, L	475005-M2319P-IC-EL-BL-BL-SL-L	
		EL, BL, SL, L, L	475005-M2319P-IC-EL-BL-SL-L-L	

GUARD LOCKING PART NUMBERS - 2 DEVICES

Connector Type	Button Configuration	Device Layout	Part Number
M12-12P	Common	E, X,	473402-M1212P-CC-E-X
	Individual	B, B	473402-M1212P-IC-B-B
		BL, L	473402-M1212P-IC-BL-L
		B, S	473402-M1212P-IC-B-S
		SL, L	473402-M1212P-IC-SL-L
M23-12P	Common	E, X	473402-M2312P-CC-E-X
	Individual	B, B	473402-M2312P-IC-B-B
		BL, L	473402-M2312P-IC-BL-L
		B, S	473402-M2312P-IC-B-S
		SL, L	473402-M2312P-IC-SL-L
M23-19P	Individual	BL, BL	473402-M2319P-IC-BL-BL
		BL, SL	473402-M2319P-IC-BL-SL
		EL, BL	473402-M2319P-IC-EL-BL
		EL, SL	473402-M2319P-IC-EL-SL

GUARD LOCKING PART NUMBERS - 3 DEVICES

Connector Type	Button Configuration	Device Positions	Part Number
M12-12P	Common	B, B, B	473403-M1212P-CC-B-B-B
		B, B, L	473403-M1212P-CC-B-B-L
		B, B, S	473403-M1212P-CC-B-B-S
		B, S, L	473403-M1212P-CC-B-S-L
M23-12P		B, B, B	473403-M2312P-CC-B-B-B
		B, B, L	473403-M2312P-CC-B-B-L
		B, B, S	473403-M2312P-CC-B-B-S
		B, S, L	473403-M2312P-CC-B-S-L
M23-19P	Individual	BL, BL, BL	473403-M2319P-IC-BL-BL-BL
		BL, BL, L	473403-M2319P-IC-BL-BL-L
		BL, BL, SL	473403-M2319P-IC-BL-BL-SL
		BL, SL, L	473403-M2319P-IC-BL-SL-L
		EL, BL, BL	473403-M2319P-IC-EL-BL-BL
		EL, BL, L	473403-M2319P-IC-EL-BL-L
		EL, BL, SL	473403-M2319P-IC-EL-BL-SL
		EL, SL, L	473403-M2319P-IC-EL-SL-L

GUARD LOCKING PART NUMBERS - 4 DEVICES

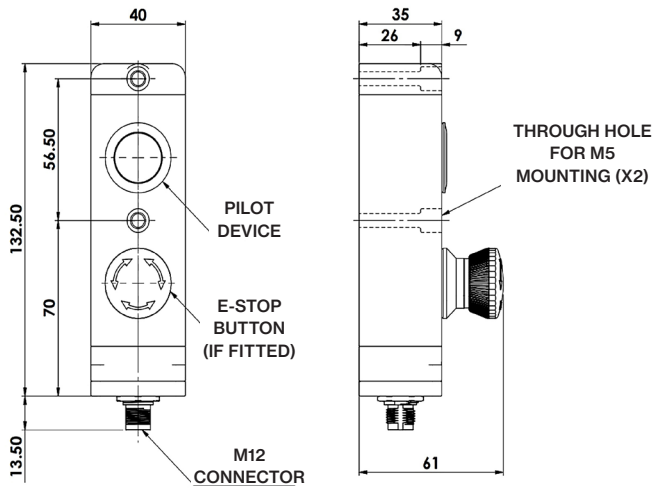
Connector Type	Button Configuration	Device Positions	Part Number
M12-12P	Common	B, B, B, B	473404-M1212P-CC-B-B-B-B
		B, B, B, S	473404-M1212P-CC-B-B-B-S
M23-12P		B, B, B, B	473404-M2312P-CC-B-B-B-B
		B, B, B, S	473404-M2312P-CC-B-B-B-S
M23-19P		BL, BL, BL, BL	473404-M2319P-CC-BL-BL-BL-BL
		BL, BL, BL, SL	473404-M2319P-CC-BL-BL-BL-SL
		E, BL, BL, BL	473404-M2319P-CC-E-BL-BL-BL
		E, BL, BL, SL	473404-M2319P-CC-E-BL-BL-SL
		EL, BL, BL, L	473404-M2319P-CC-EL-BL-BL-L
		EL, BL, SL, L	473404-M2319P-CC-EL-BL-SL-L
	Individual	B, B, B, B	473404-M2319P-IC-B-B-B-B
		B, B, B, S	473404-M2319P-IC-B-B-B-S
		BL, BL, BL, L	473404-M2319P-IC-BL-BL-BL-L
		BL, BL, L, L	473404-M2319P-IC-BL-BL-L-L
BL, BL, SL, L		473404-M2319P-IC-BL-BL-SL-L	
BL, SL, L, L		473404-M2319P-IC-BL-SL-L-L	
E, BL, BL, L		473404-M2319P-IC-E-BL-BL-L	
E, BL, SL, L		473404-M2319P-IC-E-BL-SL-L	
EL, B, B, B	473404-M2319P-IC-EL-B-B-B		
EL, B, B, S	473404-M2319P-IC-EL-B-B-S		

GUARD LOCKING PART NUMBERS - 5 DEVICES

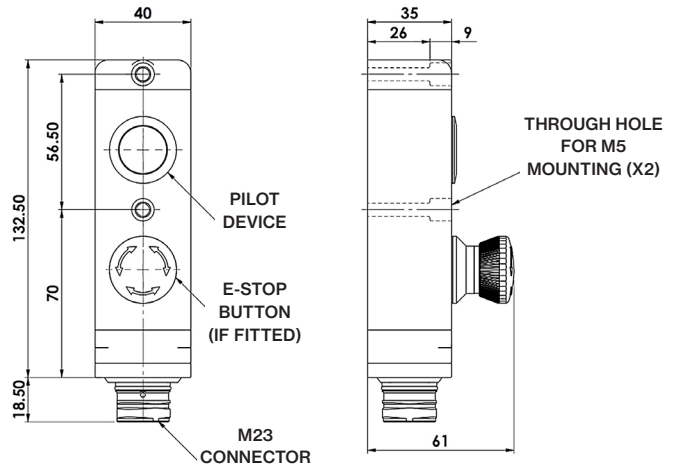
Connector Type	Button Configuration	Device Positions	Part Number
M23-19P	Common	BL, BL, BL, BL, BL	473405-M2319P-CC-BL-BL-BL-BL-BL
		BL, BL, BL, BL, L	473405-M2319P-CC-BL-BL-BL-BL-L
		BL, BL, BL, BL, SL	473405-M2319P-CC-BL-BL-BL-BL-SL
		BL, BL, BL, SL, L	473405-M2319P-CC-BL-BL-BL-SL-L
		E, BL, BL, L, L	473405-M2319P-CC-E-BL-BL-L-L
		E, BL, SL, L, L	473405-M2319P-CC-E-BL-SL-L-L
		EL, B, B, B, B	473405-M2319P-CC-EL-B-B-B-B
		EL, B, B, B, L	473405-M2319P-CC-EL-B-B-B-L
		EL, B, B, B, S	473405-M2319P-CC-EL-B-B-B-S
		EL, B, B, S, L	473405-M2319P-CC-EL-B-B-S-L
	Individual	B, B, B, B, L	473405-M2319P-IC-B-B-B-B-L
		B, B, B, S, L	473405-M2319P-IC-B-B-B-S-L
		BL, BL, BL, L, L	473405-M2319P-IC-BL-BL-BL-L-L
		BL, BL, SL, L, L	473405-M2319P-IC-BL-BL-SL-L-L
		E, B, B, B, L	473405-M2319P-IC-E-B-B-B-L
		E, B, B, S, L	473405-M2319P-IC-E-B-B-S-L
		EL, B, B, L, L	473405-M2319P-IC-EL-B-B-L-L
		EL, B, S, L, L	473405-M2319P-IC-EL-B-S-L-L

PUSH BUTTON STATION DIMENSIONS - 2 DEVICES

M12 CONNECTOR

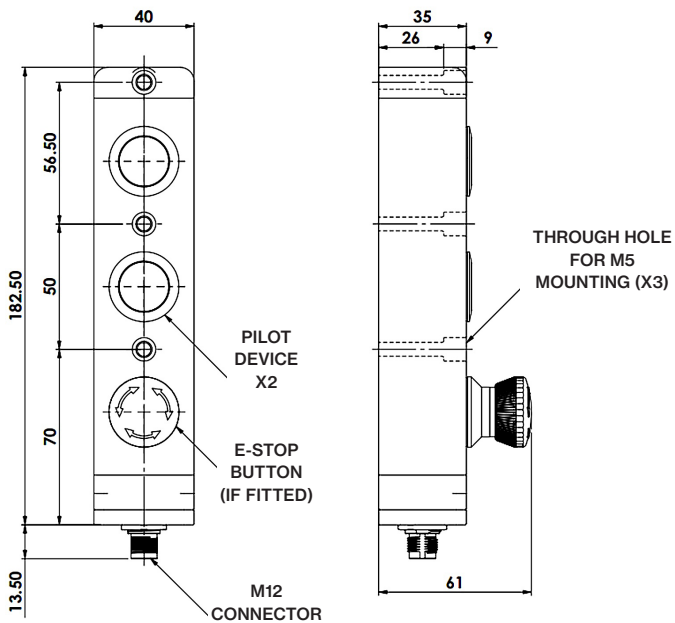


M23 CONNECTOR

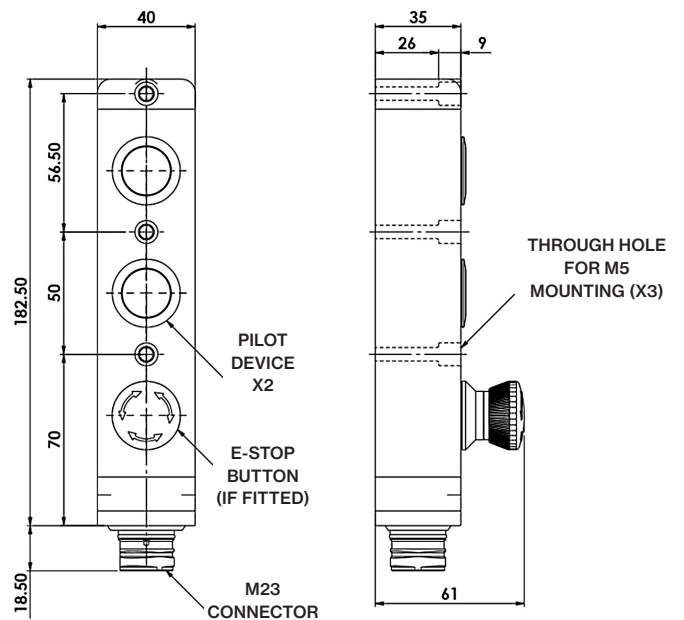


PUSH BUTTON STATION DIMENSIONS - 3 DEVICES

M12 CONNECTOR

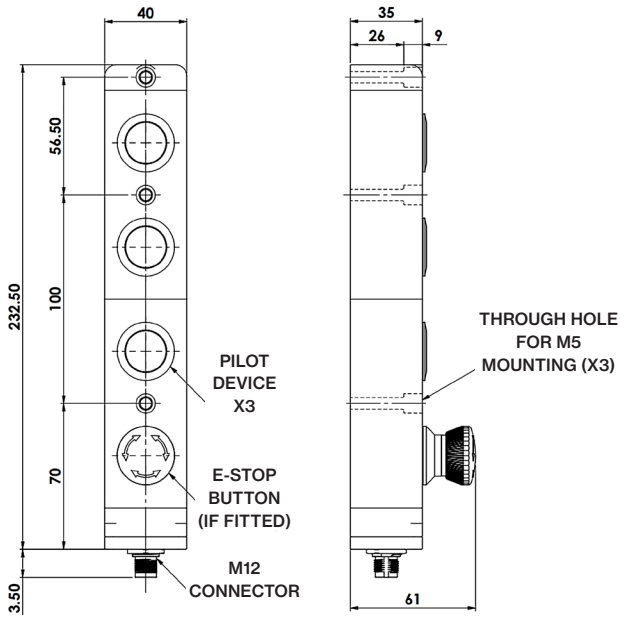


M23 CONNECTOR

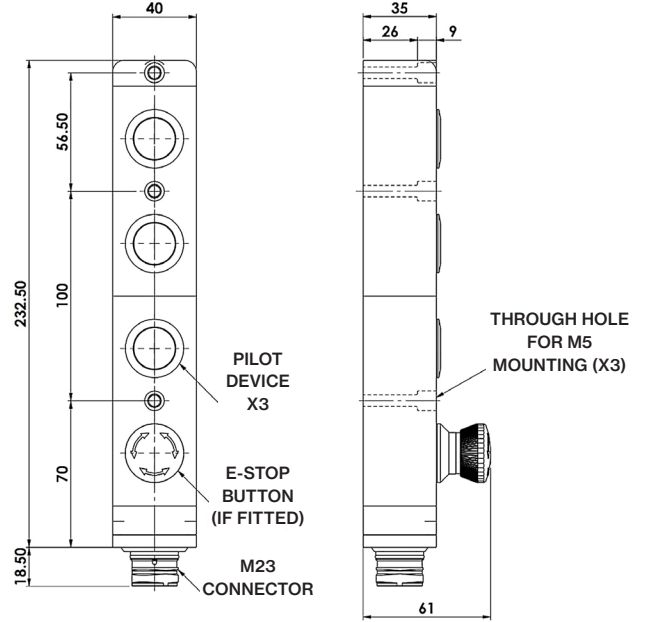


PUSH BUTTON STATION DIMENSIONS - 4 DEVICES

M12 CONNECTOR

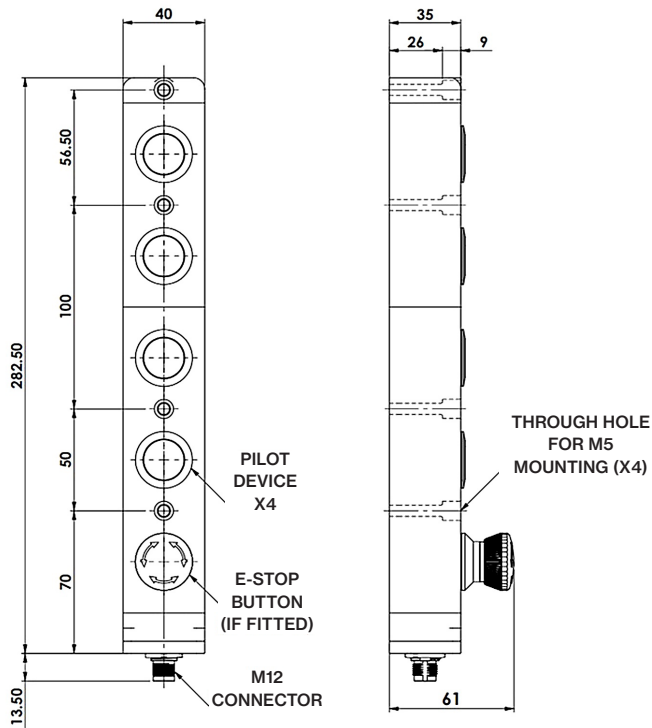


M23 CONNECTOR

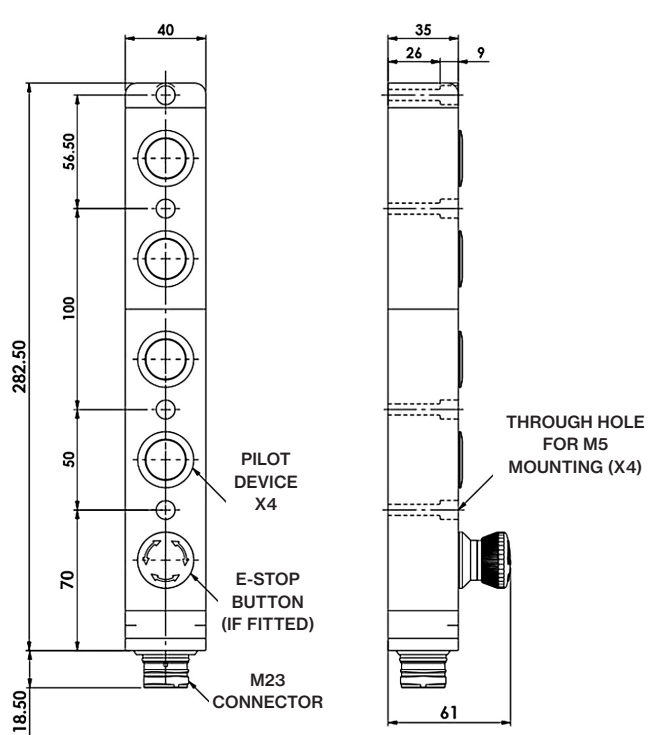


PUSH BUTTON STATION DIMENSIONS - 5 DEVICES

M12 CONNECTOR

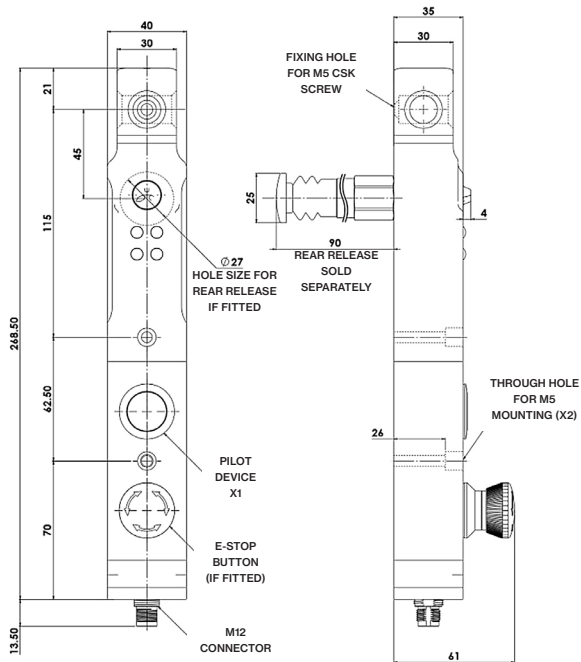


M23 CONNECTOR

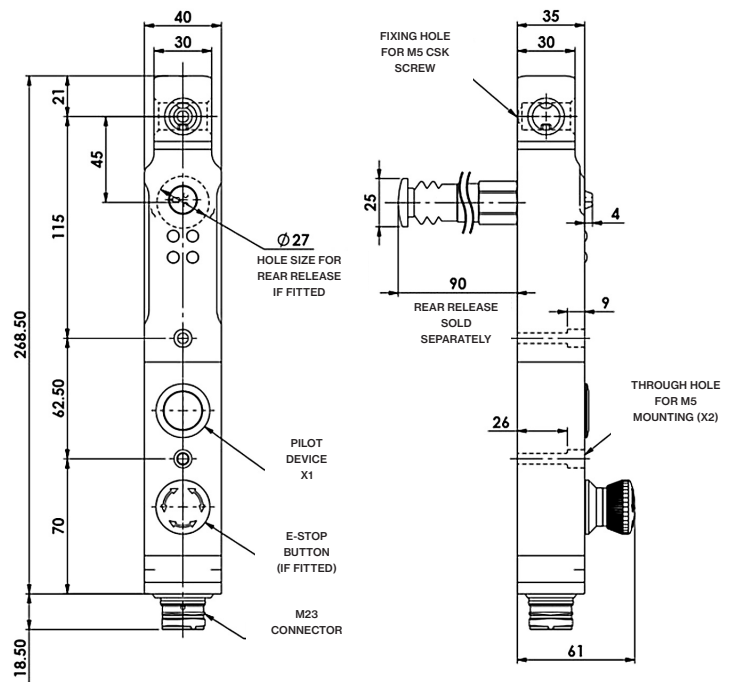


GUARD LOCKING DIMENSIONS - 2 DEVICES

M12 CONNECTOR

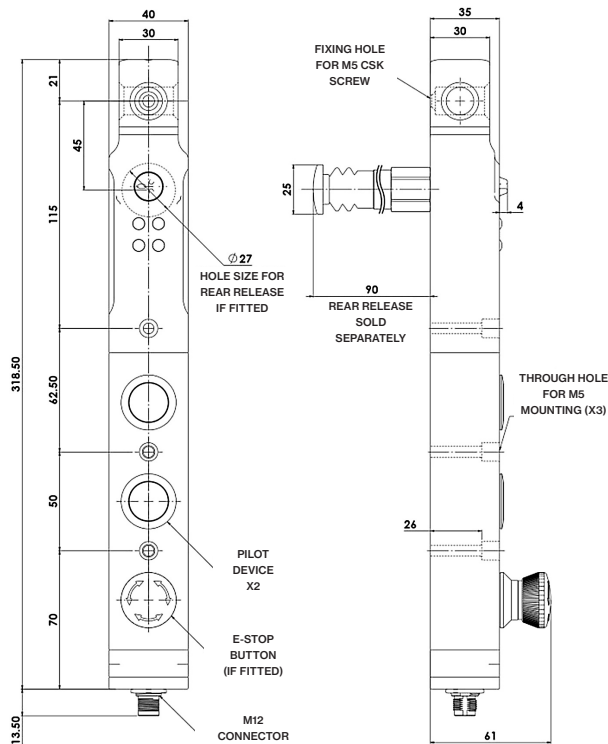


M23 CONNECTOR

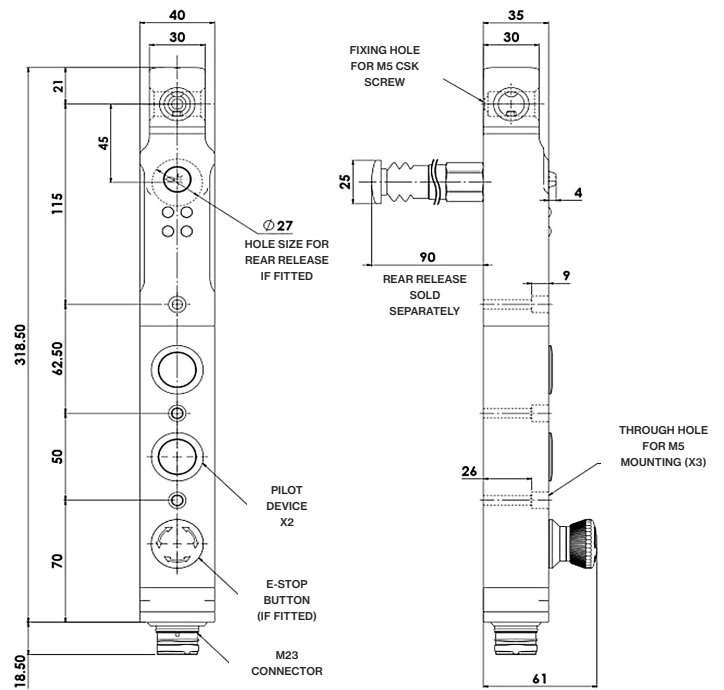


GUARD LOCKING DIMENSIONS - 3 DEVICES

M12 CONNECTOR

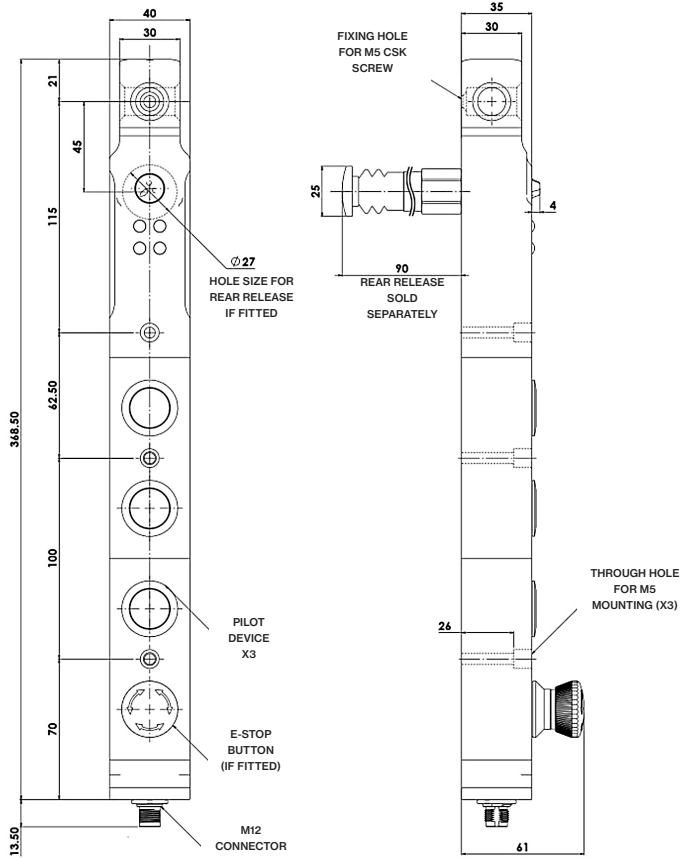


M23 CONNECTOR

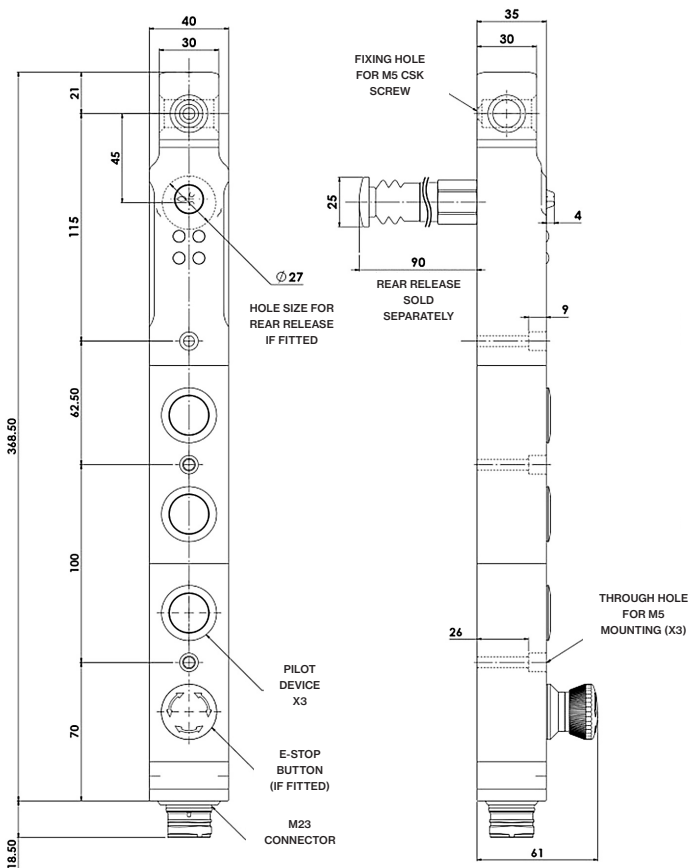


GUARD LOCKING DIMENSIONS - 4 DEVICES

M12 CONNECTOR

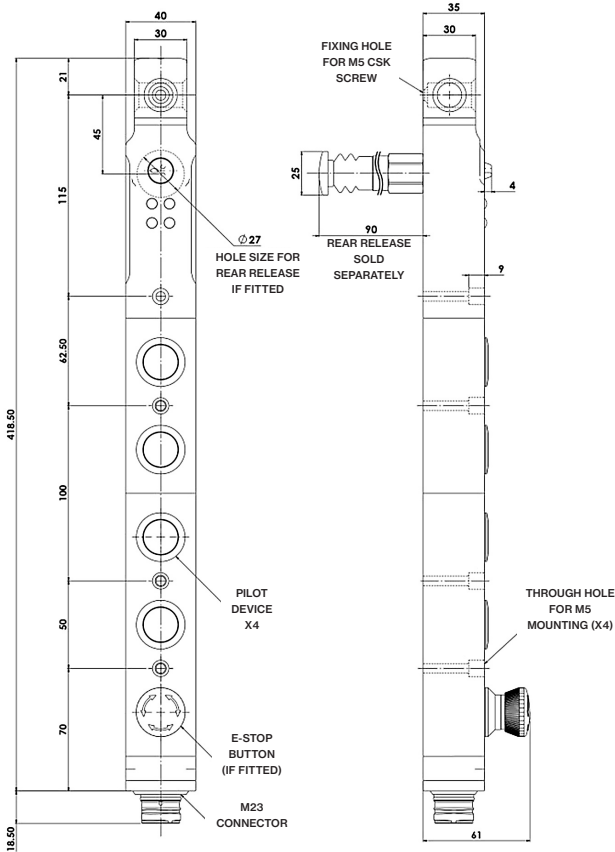


M23 CONNECTOR

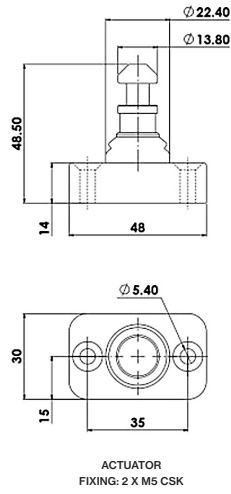


GUARD LOCKING DIMENSIONS - 5 DEVICES

M23 CONNECTOR

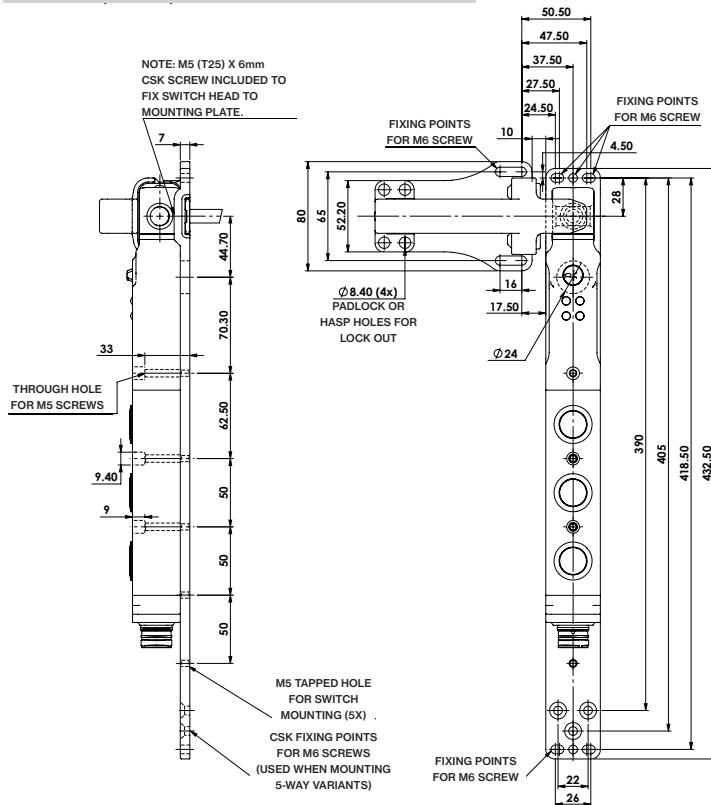


DS-MLZ ACTUATOR

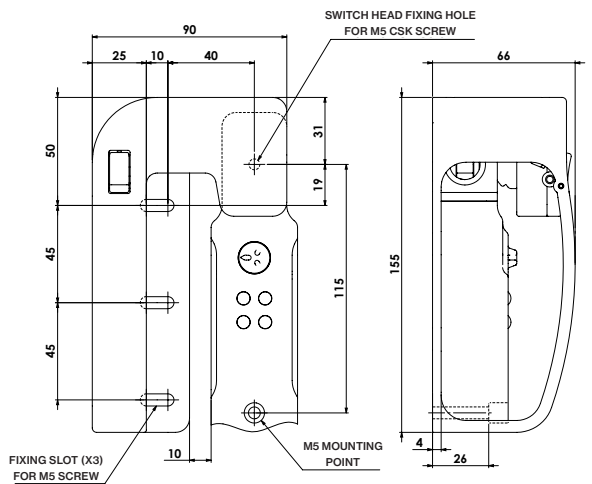


DS RANGE ACCESSORY DIMENSIONS

DS-MLZ SLIDING HANDLE 473350

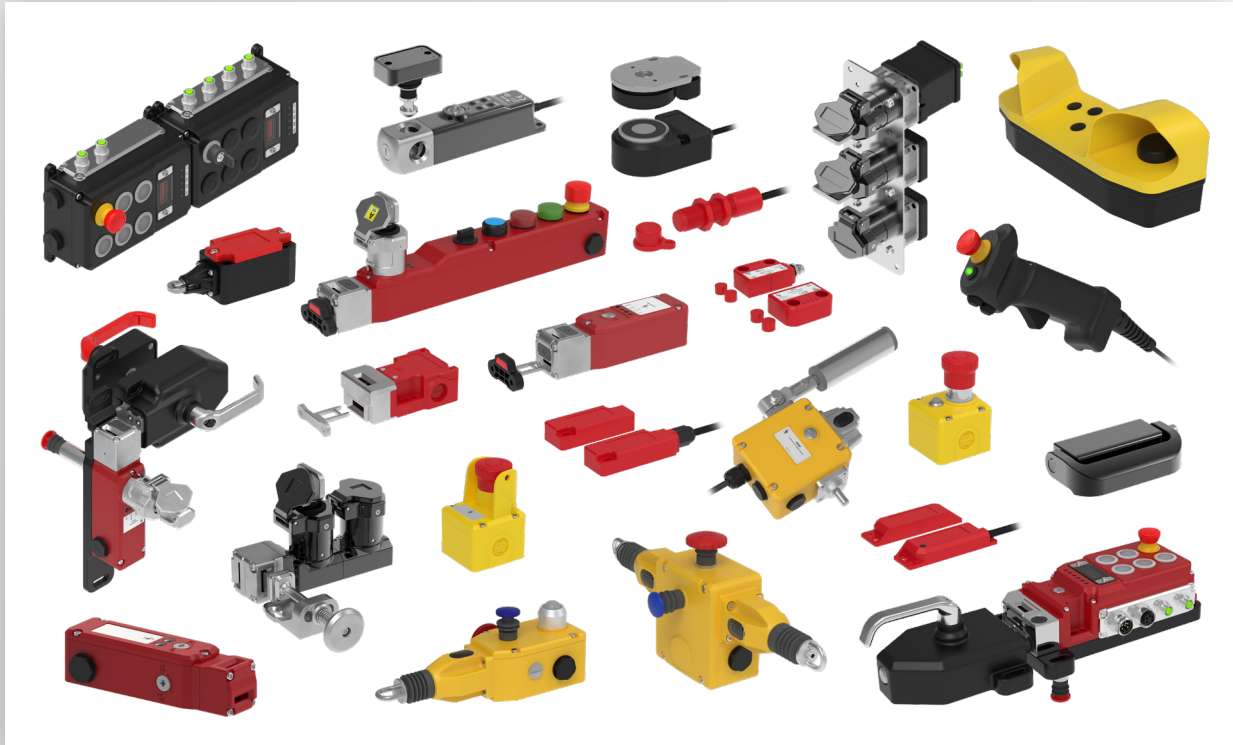


DS-MLZ SLIDING HANDLE 473350



IDEM Safety Switches

Leading Manufacturer of Machine Safety Switches and Solutions



“Your Complete Solution for Machine Safety.”

DISTRIBUTED BY:



Air-Oil Systems, Inc.

AUTOMATION SOLUTIONS

753 WAMBOLD ROAD SOUDERTON, PA 18964-2715

215.721.9595 800.333.5520 FAX 215.721.7666

www.airoil.com

