

Designed for Cobots

Created for you

DISTRIBUTED BY:



Air-Oil Systems, Inc.

AUTOMATION SOLUTIONS

753 WAMBOLD ROAD SOUDERTON, PA 18964-2715
215.721.9595 800.333.5520 FAX 215.721.7666

www.airoil.com

murrplastik
Simply Smart Systems



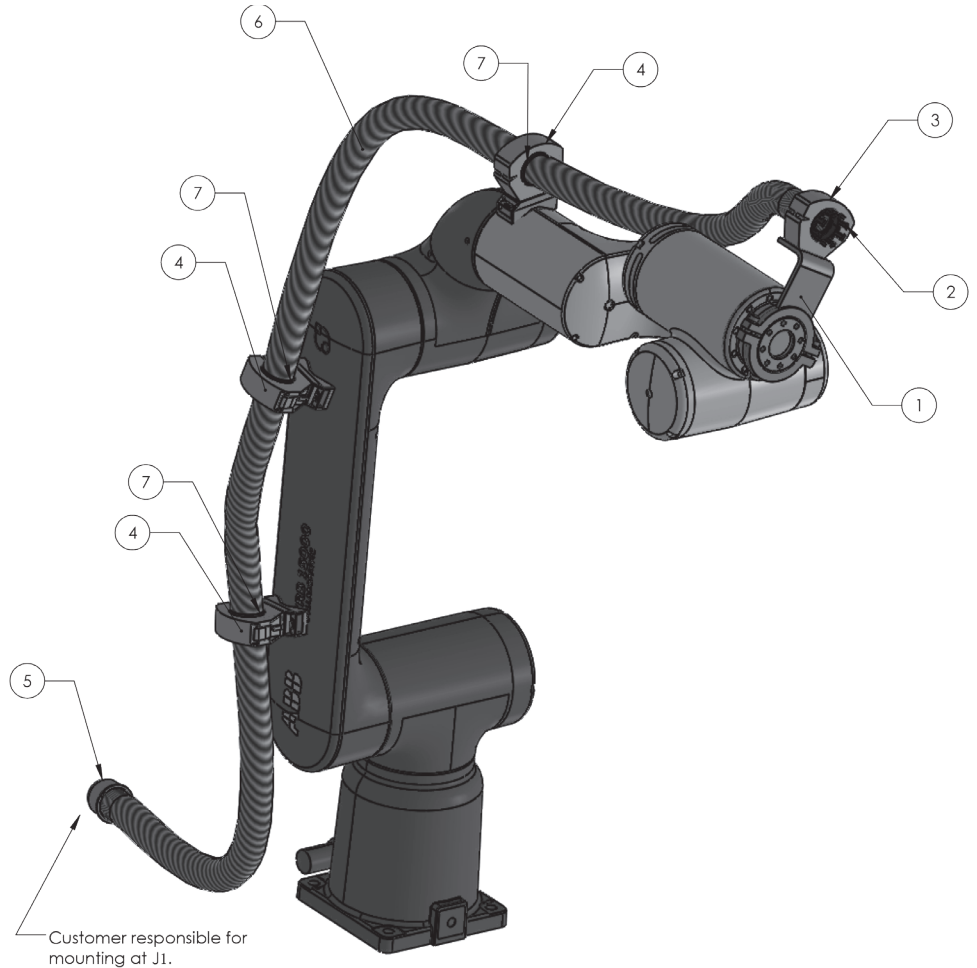
MEDIUM DUTY FLEXIBLE HOLDER SYSTEM

ABB CRB 15000 FHS-SH-LS KIT, SIZE 29, A1-A6

PART NUMBER NO.: 83800639

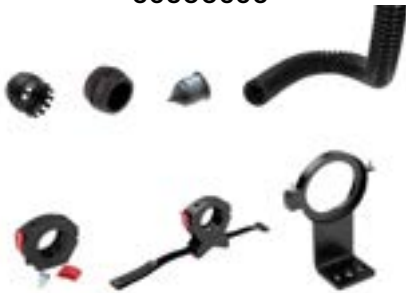


Drawing for illustration purposes only.



ORDER NO.

83800639



Note: Hook and loop straps not shown

POS.	PART NUMBER	DESCRIPTION	QTY
1	83952699	Wrist Support 63mm Diameter	1
2	83692260	KEG/ZL-M32 End Ball Joint With Strain Relief	1
3	83691462	SH-P/M25-M32 System Holder	1
4	83693425	FHS-SH Bracket with 450mm Hook and Loop Strap	3
5	83723460	ET 29 End Grommet	1
6	83182260	EWX-PAE-LS M32/P29 Slit Black Conduit	2.1m
7	83691660	KMG/F-M32 Fixed Ball Joint	3

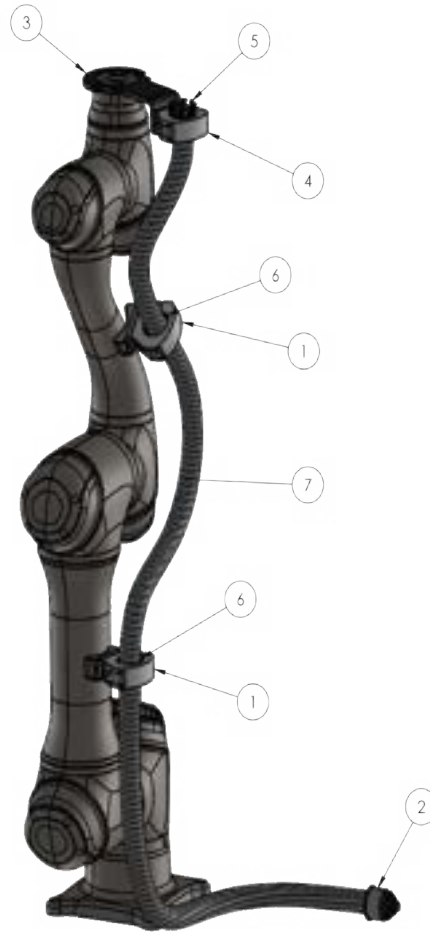
MEDIUM DUTY FLEXIBLE HOLDER SYSTEM

DOOSAN A0509 FHS-SH KIT, SIZE 29, A1-A6

PART NUMBER NO.: 83801080

DOOSAN

Drawing for illustration purposes only.



ORDER NO.

83801080



Note: Hook and loop straps not shown
Wrist support might differ from image

POS.	PART NUMBER	DESCRIPTION	QTY
1	83693423	FHS-SH Bracket with 350mm Hook and Loop Strap	2
2	83723460	ET 29 End Grommet	1
3	63MM-WRIST	Wrist Support Size 63 mm	1
4	83691462	SH-P/M25-M32 System Holder	1
5	83692260	KEG/ZL-M32 End Ball Joint With Strain Relief	1
6	83691660	KMG/F-M32 Fixed Ball Joint	2
7	83182060	EWX-PAE M32/P29 Black Conduit	2m

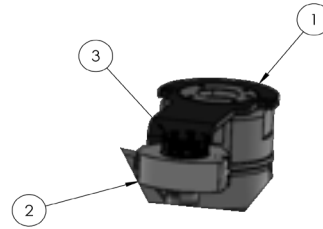
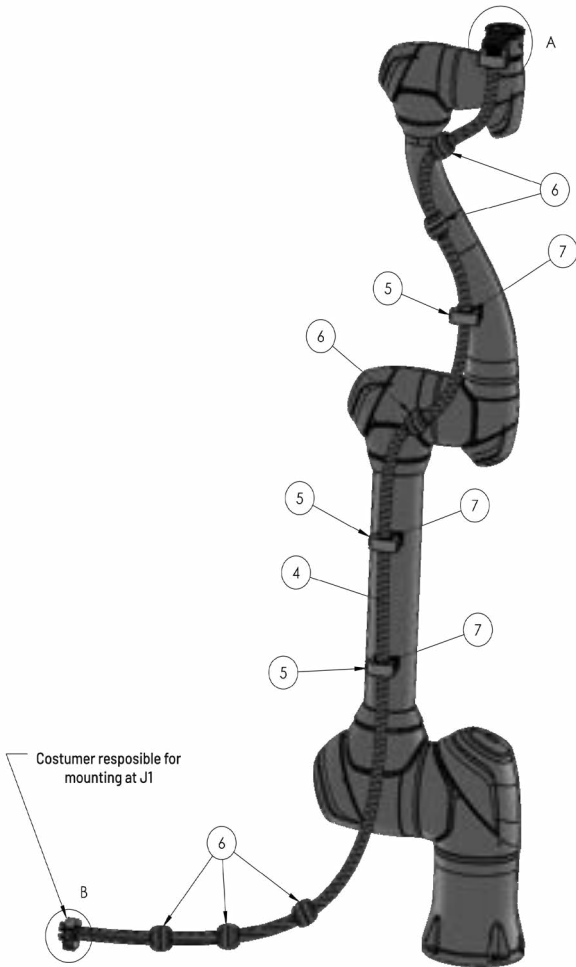
MEDIUM DUTY FLEXIBLE HOLDER SYSTEM

DOOSAN H2016 FHS-SH KIT SIZE 21, A1-A6

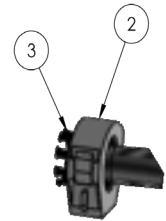
PART NUMBER NO.: 83801199

DOOSAN

Drawing for illustration purposes only.



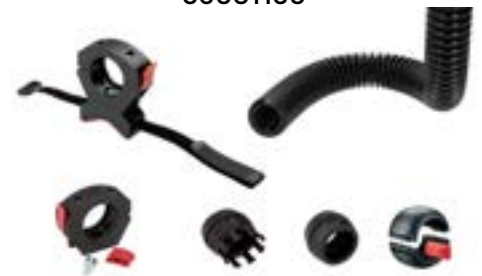
DETAIL A
SCALE 1 : 3



DETAIL B
SCALE 1 : 3

ORDER NO.

83801199



Note: Hook and loop straps not shown

POS.	PART NUMBER	DESCRIPTION	QTY
1	63MM-WRIST	Wrist Support Size 63 mm	1
2	83691462	SH-P/M25-M32 System Holder	2
3	83692258	KEG/ZL-M25 End Ball Joint with Strain Relief	2
4	83182058	EWX-PAE M25/P21 Black Conduit	4m
5	83723427	FHS-SH 550 w/ System Holder	3
6	83691258	PR/SV-EWX 21 Protector	6
7	83691658	KMG/F-M25 Fixed Ball Joint	3

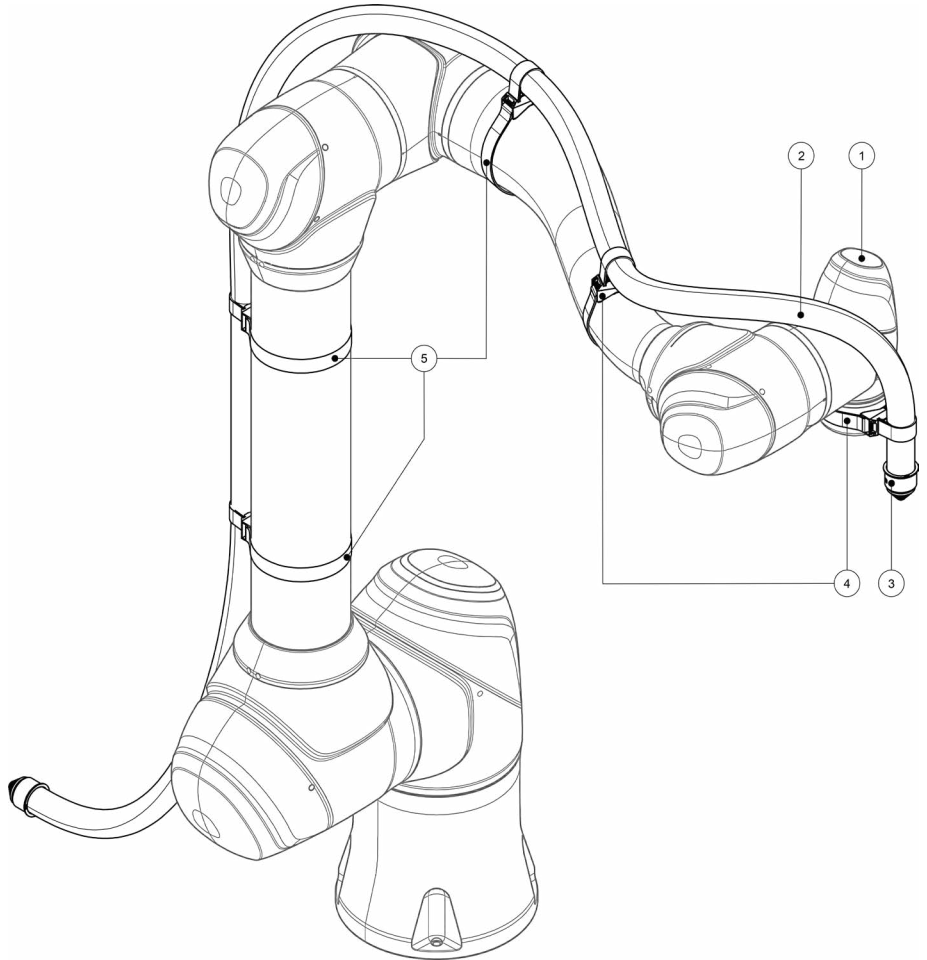
LIGHT DUTY FLEXIBLE HOLDER SYSTEM

DOOSAN H2017 & H2515 FHS-C-LS KIT, SIZE 29, A1-A6

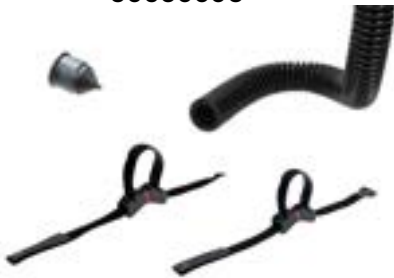
PART NUMBER NO.: 83693530

DOOSAN

Drawing for illustration purposes only.



ORDER NO.
83693530



POS.	PART NUMBER	DESCRIPTION	QTY
1		Doosan M1013 & M0617	
2	83203060	EWX-PP-LS M32/P29 Slit Black Conduit	3m
3	83723460	ET 29 End Grommet	2
4	83693445	FHS-C Bracket with 450mm Hook and Loop Strap	2
5	83693447	FHS-C Bracket with 550mm Hook and Loop Strap	3

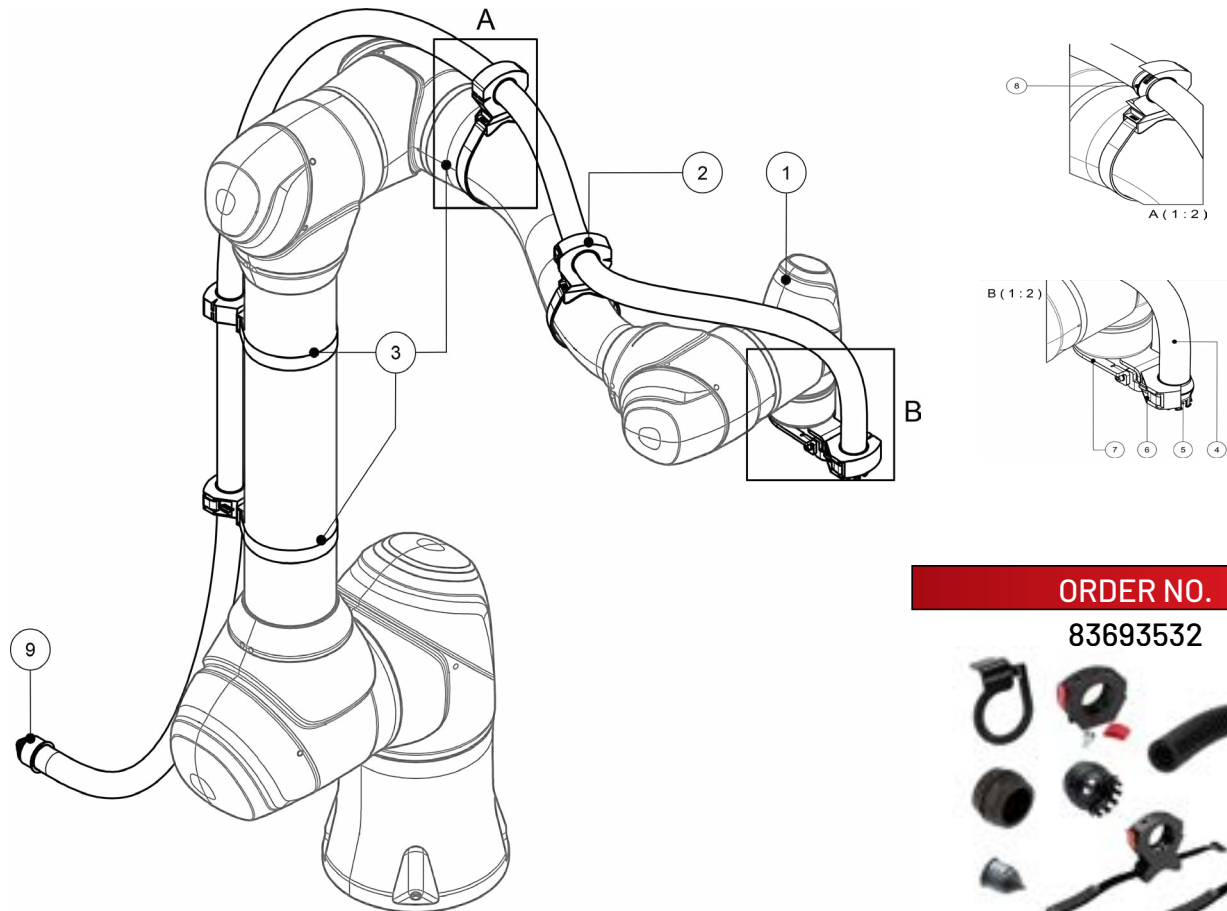
LIGHT DUTY FLEXIBLE HOLDER SYSTEM

DOOSAN H2017 & H2515 FHS-SH-LS KIT, SIZE 29, A1-A6

PART NUMBER NO.: 83693532

DOOSAN

Drawing for illustration purposes only.



ORDER NO.

83693532

POS.	PART NUMBER	DESCRIPTION	QTY
1		Doosan H2017 & H2515	
2	83693425	FHS-SH Bracket with 450mm Hook and Loop Strap	1
3	83693427	FHS-SH Bracket with 550mm Hook and Loop Strap	3
4	83203060	EWX-PP-LS M32/P29 Slit Black Conduit	3m
5	83692260	KEG/ZL-M32 End Ball Joint With Strain Relief	1
6	83691462	SH-P/M25-M32 System Holder	1
7	83693206	R-SSR D63 Tension Clamp	1
8	83691660	KMG/F-M32 Fixed Ball Joint	4
9	83723460	ET 29 End Grommet	1

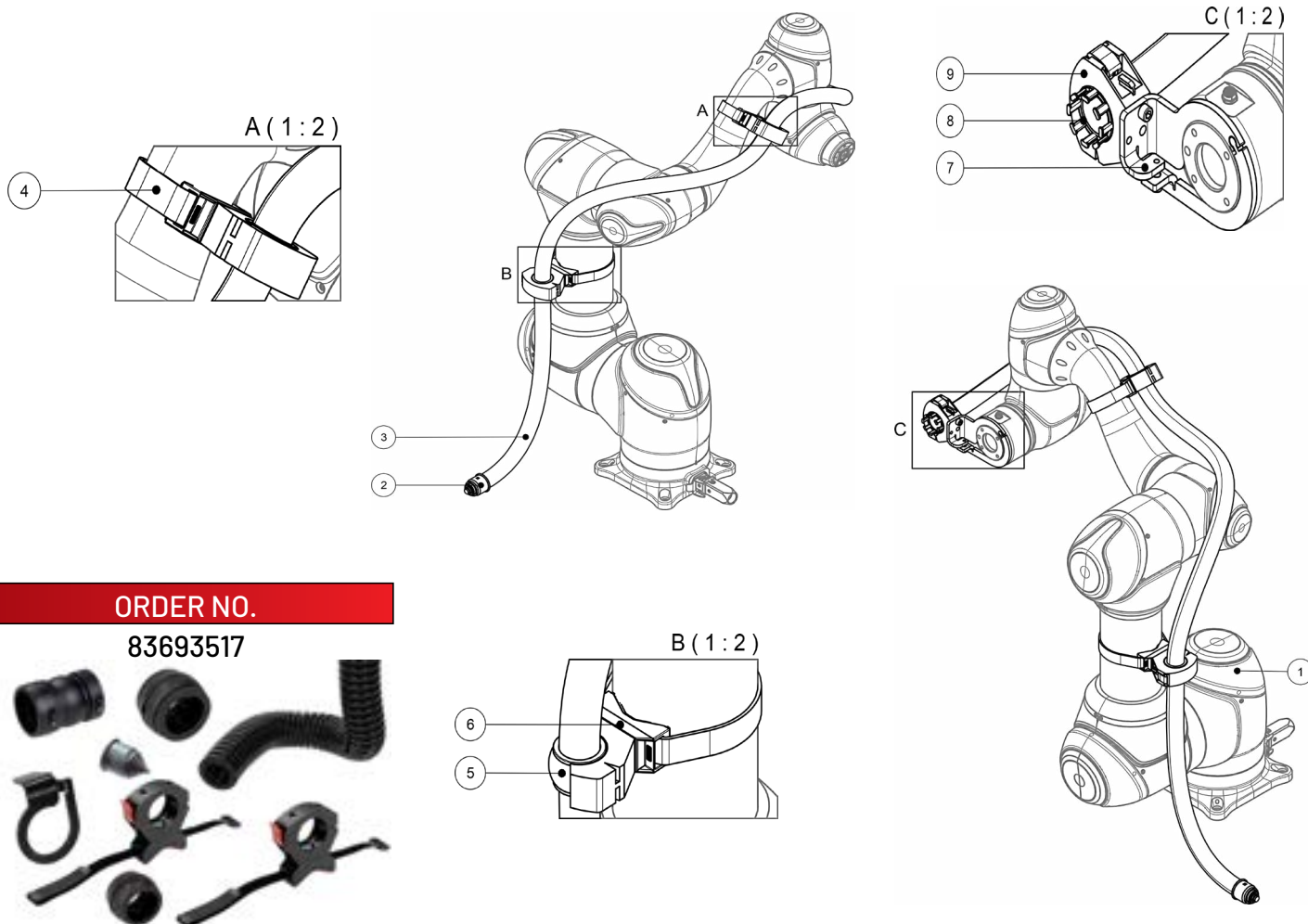
LIGHT DUTY FLEXIBLE HOLDER SYSTEM

DOOSAN M0609 & M1509 FHS-SH-LS KIT, SIZE 21, A1-A6

PART NUMBER NO.: 83693517

DOOSAN

Drawing for illustration purposes only.



ORDER NO.

83693517

POS.	PART NUMBER	DESCRIPTION	QTY
1		Doosan M0609 & M1509	
2	83723458	ET 21 End Grommet	1
3	83203058	EWX-PP-LS M25/P21 Slit BlackConduit	4m
4	83693423	FHS-SH Bracket with 350mm Hook and Loop Strap	1
5	83691658	KMG/F-M25 Fixed Ball Joint	2
6	83693427	FHS-SH Bracket with 550mm Hook and Loop Strap	1
7	83693206	R-SSR D63 Tension Clamp	1
8	83692458	KEG/K-M25 Ball Joint	1
9	83691462	SH-P/M25-M32 System Holder	1

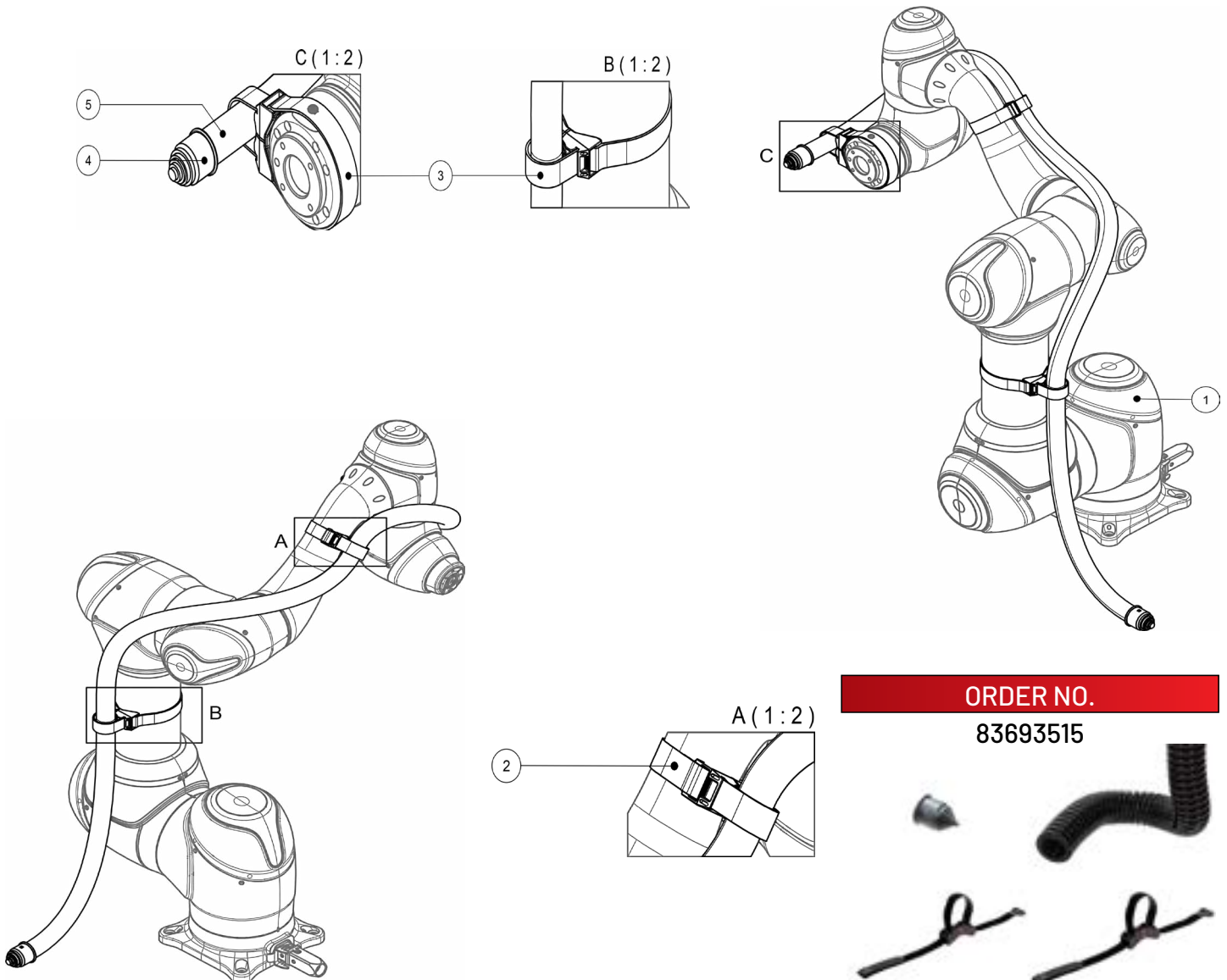
LIGHT DUTY FLEXIBLE HOLDER SYSTEM

DOOSAN M0609 & M1509 FHS-C-LS KIT, SIZE 21, A1-A6

PART NUMBER NO.: 83693515

DOOSAN

Drawing for illustration purposes only.



POS.	PART NUMBER	DESCRIPTION	QTY
1		Doosan M0609 & M1509	
2	83693443	FHS-C Bracket with 350mm Hook and Loop Strap	1
3	83693447	FHS-C Bracket with 550mm Hook and Loop Strap	2
4	83723458	ET 21 End Grommet	2
5	83203058	EWX-PP-LS M25/P21 Slit BlackConduit	4m

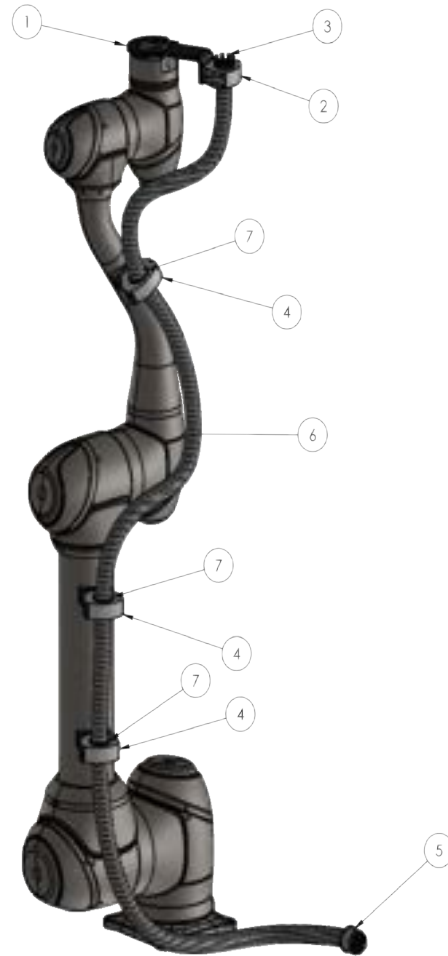
MEDIUM DUTY FLEXIBLE HOLDER SYSTEM

DOOSAN M1013 FHS-SH KIT, SIZE 29, A1-A6

PART NUMBER NO.: 83801081

DOOSAN

Drawing for illustration purposes only.



ORDER NO.

83801081



Note: Hook and loop straps not shown
Wrist support might differ from image

POS.	PART NUMBER	DESCRIPTION	QTY
1	63MM-WRIST	Wrist Support Size 63 mm	1
2	83691462	SH-P/M25-M32 System Holder	1
3	83692260	KEG/ZL-M32 End Ball Joint With Strain Relief	1
4	83693423	FHS-SH Bracket with 350mm Hook and Loop Strap	2
5	83723460	ET 29 End Grommet	1
6	83182060	EWX-PAE M32/P29 Black Conduit	2m
7	83691660	KMG/F-M32 Fixed Ball Joint	2

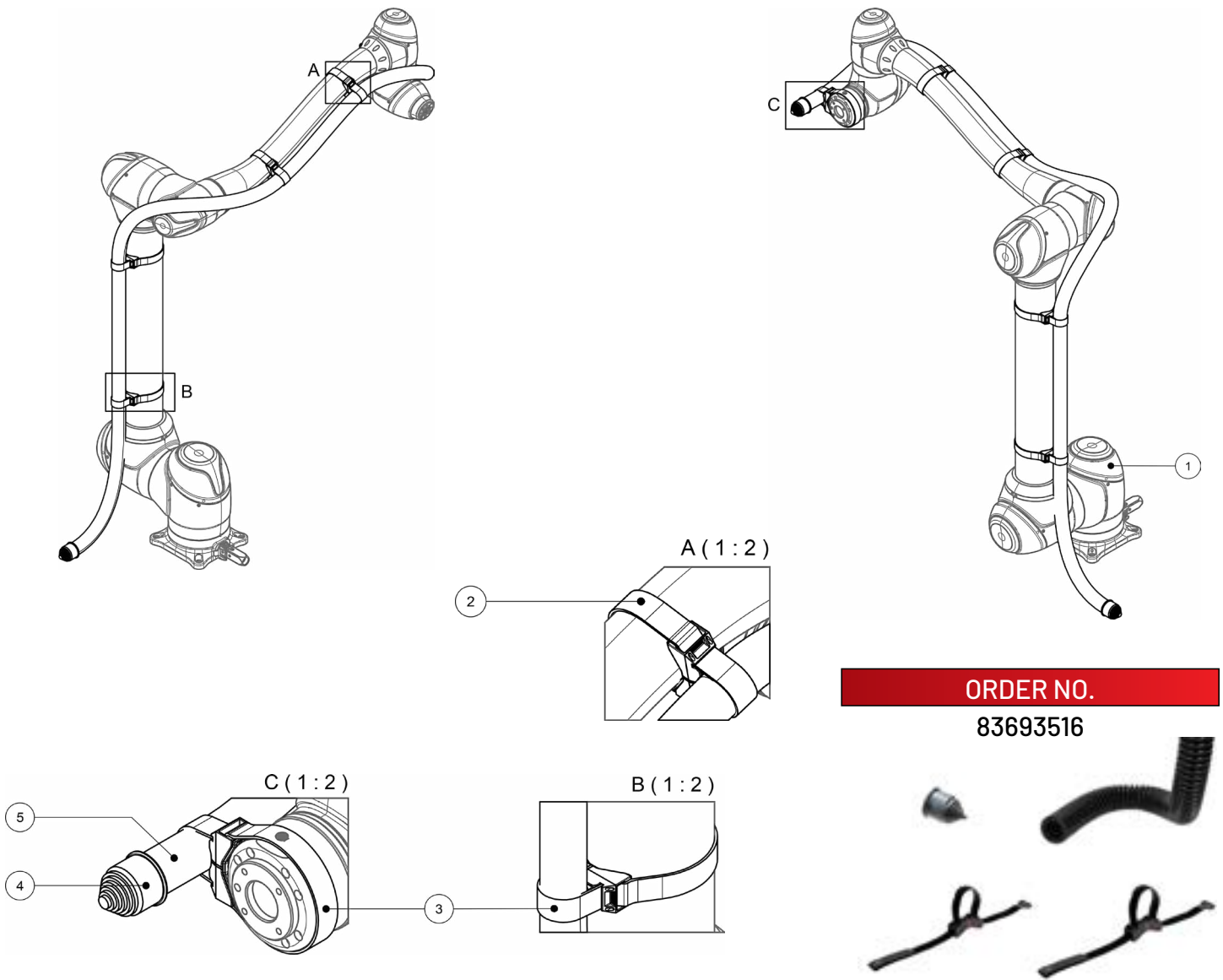
LIGHT DUTY FLEXIBLE HOLDER SYSTEM

DOOSAN M1013 & M0617 FHS-C-LS KIT, SIZE 29, A1-A6

PART NUMBER NO.: 83693516

DOOSAN

Drawing for illustration purposes only.



ORDER NO.
83693516

POS.	PART NUMBER	DESCRIPTION	QTY
1		Doosan M1013 & M0617	
2	83693443	FHS-C Bracket with 350mm Hook and Loop Strap	2
3	83693447	FHS-C Bracket with 550mm Hook and Loop Strap	3
4	83723460	ET 29 End Grommet	2
5	83203060	EWX-PP-LS M32/P29 Slit Black Conduit	5m

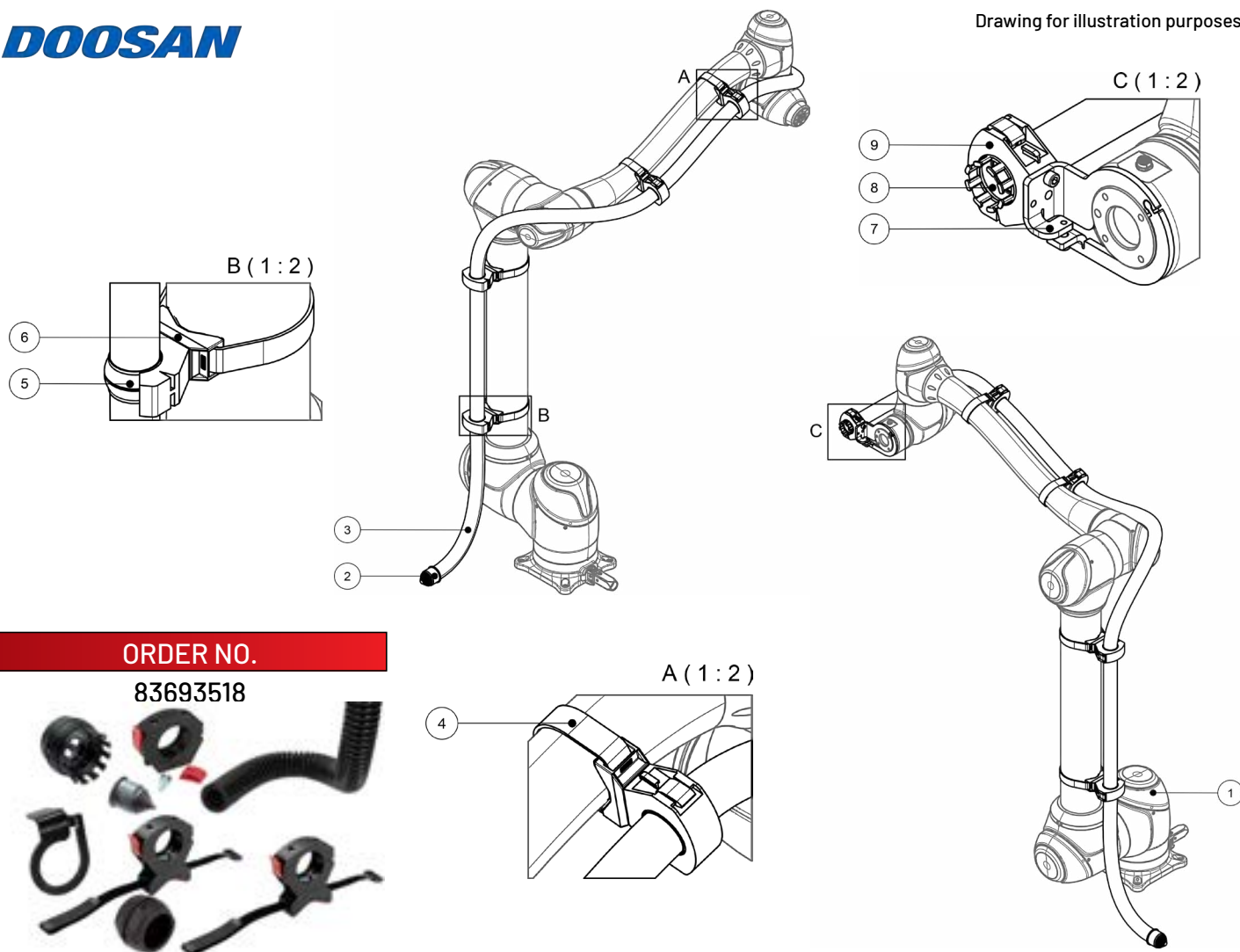
LIGHT DUTY FLEXIBLE HOLDER SYSTEM

DOOSAN M1013 & M0617 FHS-SH-LS KIT, SIZE 29, A1-A6

PART NUMBER NO.: 83693518

DOOSAN

Drawing for illustration purposes only.



ORDER NO.

83693518

POS.	PART NUMBER	DESCRIPTION	QTY
1		Doosan M1013 & M0617	
2	83723460	ET 29 End Grommet	1
3	83203060	EWX-PP-LS M32/P29 Slit Black Conduit	5m
4	83693423	FHS-SH Bracket with 350mm Hook and Loop Strap	2
5	83691660	KMG/F-M32 Fixed Ball Joint	4
6	83693427	FHS-SH Bracket with 550mm Hook and Loop Strap	2
7	83693206	R-SSR D63 Tension Clamp	1
8	83692260	KEG/ZL-M32 End Ball Joint With Strain Relief	1
9	83691462	SH-P/M25-M32 System Holder	1

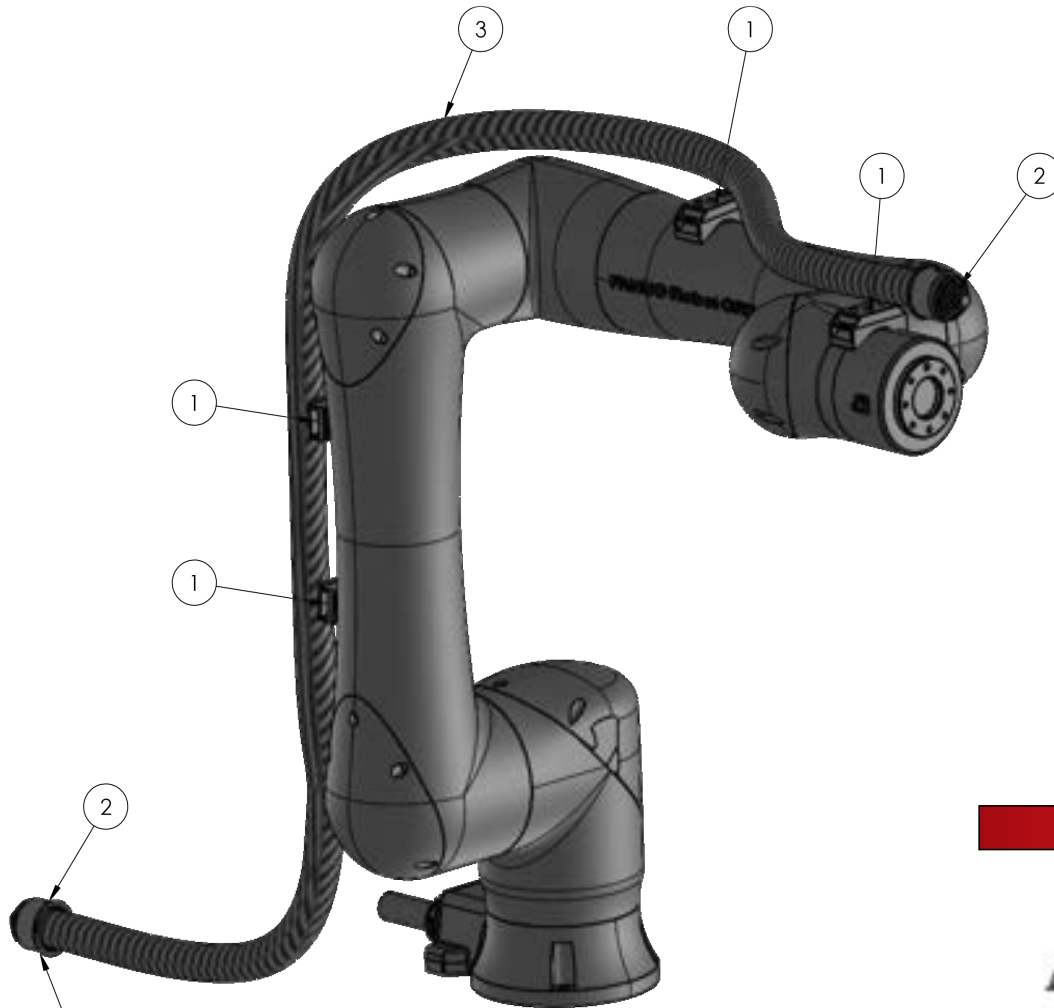
LIGHT DUTY FLEXIBLE HOLDER SYSTEM

FANUC CRX5IA FHS-C-LS KIT, SIZE 29, A1-A6

PART NUMBER NO.: 83801286

FANUC

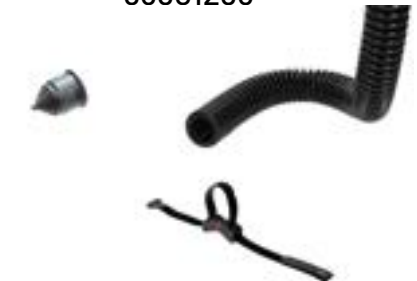
Drawing for illustration purposes only.



Note: Customer responsible for mounting ET29 at J1.

ORDER NO.

83801286



Note: Hook and loop straps not shown
Wrist support might differ from image

POS.	PART NUMBER	DESCRIPTION	QTY
1	83693443	FHS-C Bracket with 350mm Hook and Loop Strap	4
2	83723460	ET 29 End Grommet	2
3	83182260	EWX-PAE-LS M32/P29 Slit Black Conduit	3m

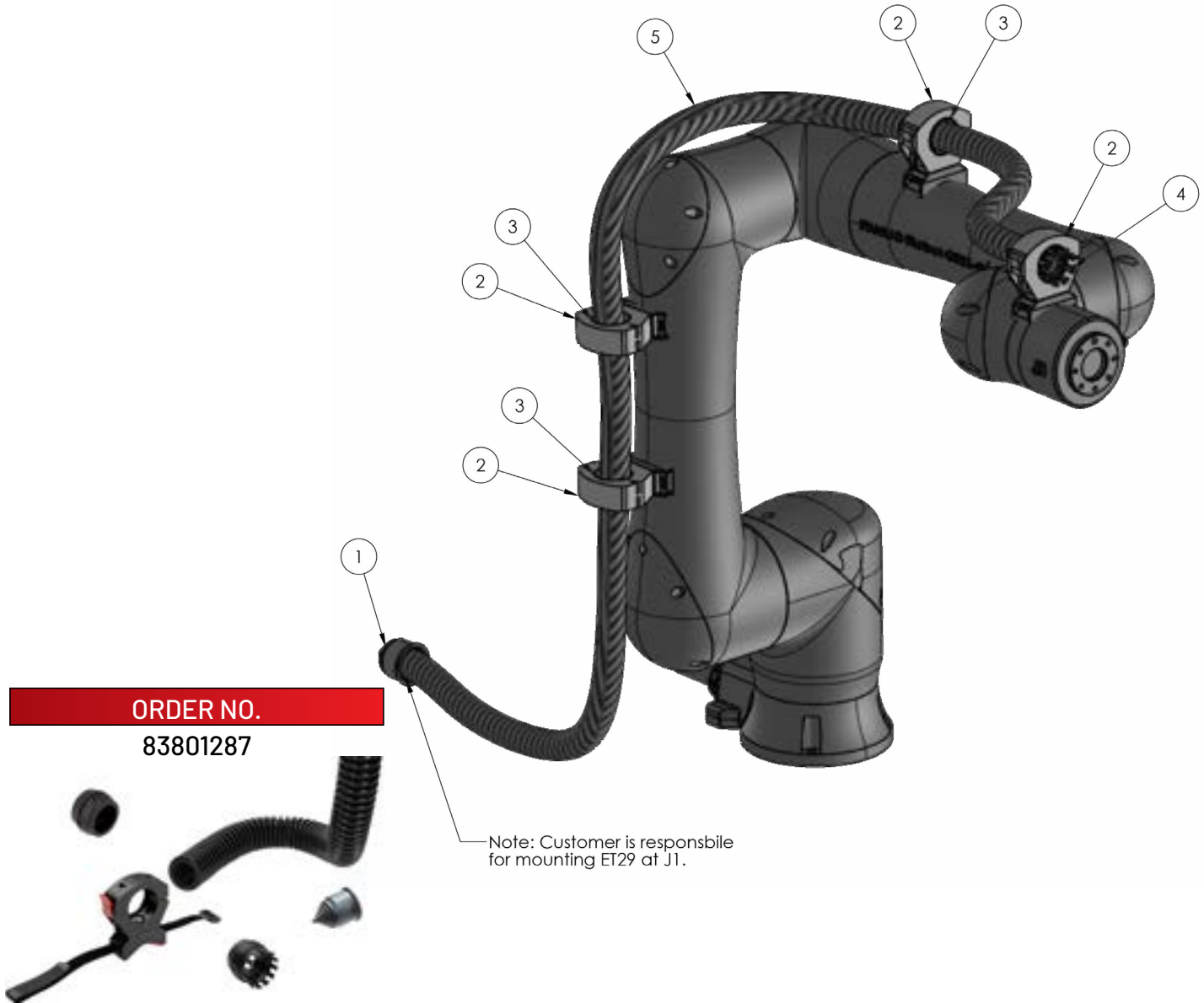
MEDIUM DUTY FLEXIBLE HOLDER SYSTEM

FANUC CRX5IA FHS-SH-LS KIT, SIZE 29, A1-A3

PART NUMBER NO.: 83801287

FANUC

Drawing for illustration purposes only.



ORDER NO.
83801287

Note: Customer is responsible for mounting ET29 at J1.

Note: Hook and loop straps not shown

POS.	PART NUMBER	DESCRIPTION	QTY
1	83723460	ET 29 End Grommet	1
2	83693423	FHS-SH Bracket with 350mm Hook and Loop Strap	4
3	83691660	KMG/F-M32 Fixed Ball Joint	3
4	83692260	KEG/ZL-M32 End Ball Joint With Strain Relief	1
5	83182260	EWX-PAE-LS M32/P29 Slit Black Conduit	3m

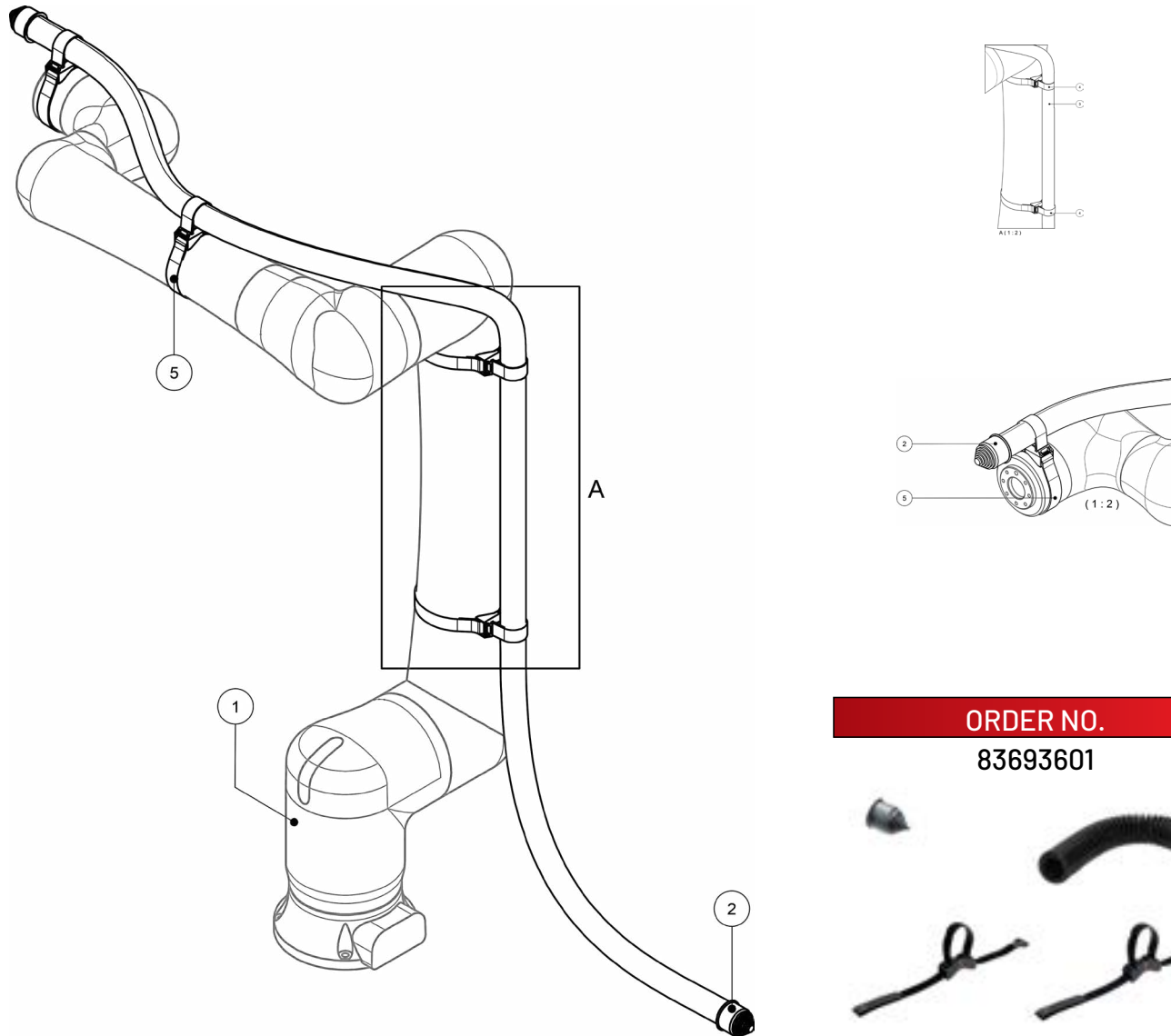
LIGHT DUTY FLEXIBLE HOLDER SYSTEM

FANUC CRX-5IA & 10IAL FHS-C-LS KIT, SIZE 29, A1-A6

PART NUMBER NO.: 83693601

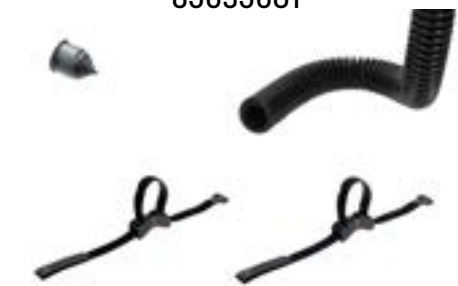
FANUC

Drawing for illustration purposes only.



ORDER NO.

83693601



POS.	PART NUMBER	DESCRIPTION	QTY
1		FANUC CRX-5IA-10IAL	
2	83723460	ET 29 End Grommet	2
3	83203060	EWX-PP-LS M32/P29 Slit Black Conduit	3.5m
4	83693447	FHS-C Bracket with 550mm Hook and Loop Strap	2
5	83693445	FHS-C Bracket with 450mm Hook and Loop Strap	2

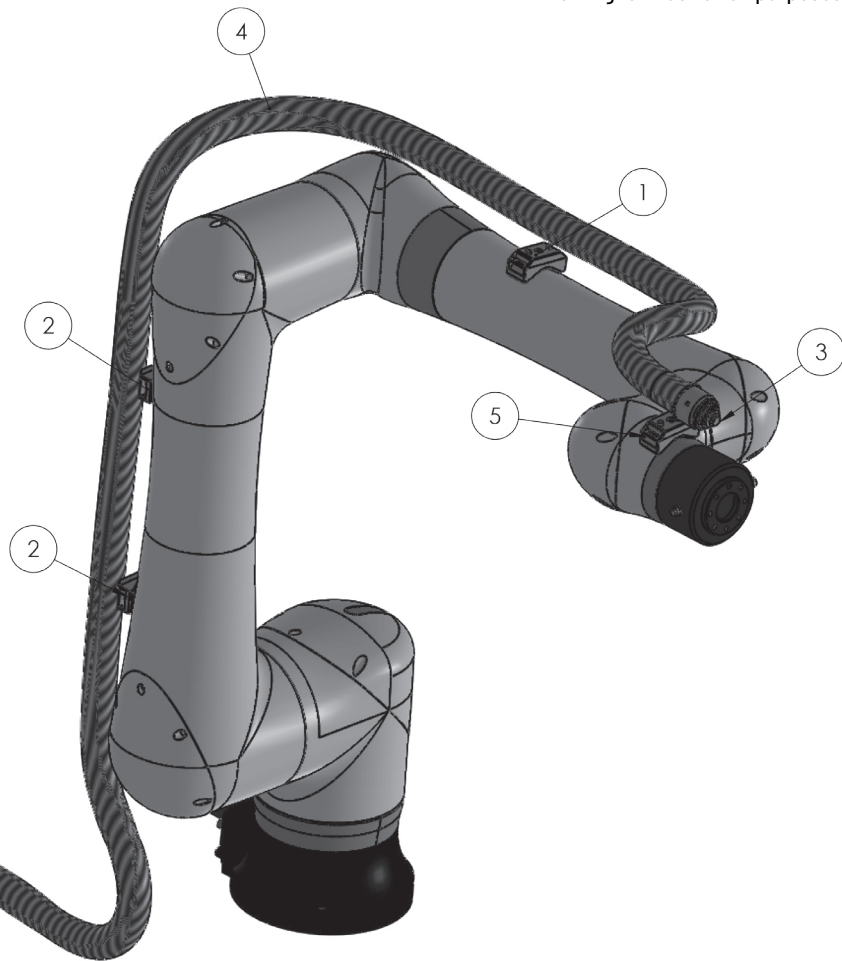
LIGHT DUTY FLEXIBLE HOLDER SYSTEM

FANUC CRX-10IA FHS-C-LS KIT, SIZE 29, A1-A6

PART NUMBER NO.: 83800511

FANUC

Drawing for illustration purposes only.



Customer responsible for mounting to J1

ORDER NO.

83800511



Note: Hook and loop straps not shown

POS.	PART NUMBER	DESCRIPTION	QTY
1	83693445	FHS-C Bracket with 450mm Hook and Loop Strap	1
2	83693447	FHS-C Bracket with 550mm Hook and Loop Strap	2
3	83723460	ET 29 End Grommet	1
4	83182260	EWX-PAE-LS M32/P29 Slit Black Conduit	2m
5	83693443	FHS-C Bracket with 350mm Hook and Loop Strap	1

LIGHT DUTY FLEXIBLE HOLDER SYSTEM

FANUC CRX10IA FHS-C KIT, SIZE, 29, A1-A6

PART NUMBER NO.: 83801090

FANUC

Drawing for illustration purposes only.



ORDER NO.

83801090



Note: Hook and loop straps not shown

POS.	PART NUMBER	DESCRIPTION	QTY
1	83693445	FHS-C Bracket with 450mm Hook and Loop Strap	1
2	83693447	FHS-C Bracket with 550mm Hook and Loop Strap	2
3	83723460	ET 29 End Grommet	2
4	83693443	FHS-C Bracket with 350mm Hook and Loop Strap	1
5	83182060	EWX-PAE M32/P29 Black Conduit	3.5m

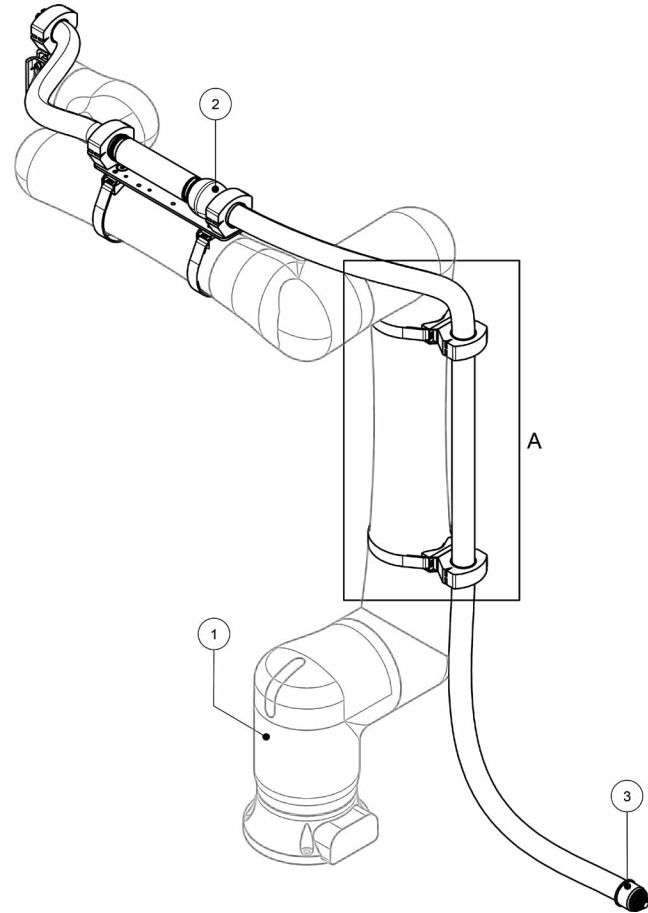
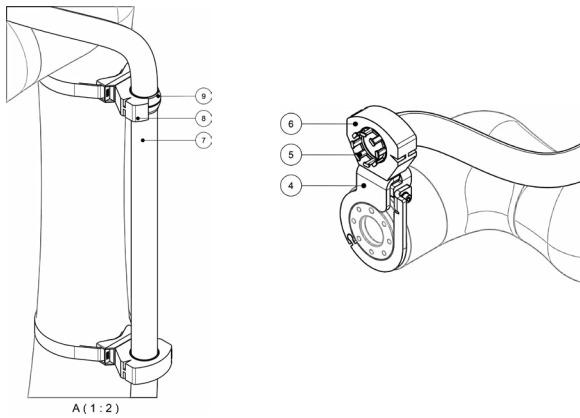
LIGHT DUTY FLEXIBLE HOLDER SYSTEM

FANUC CRX-10IAL FHS-RS-LS KIT, SIZE 29, A1-A6

PART NUMBER NO.: 83693602

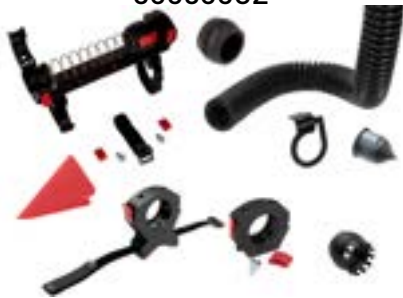
FANUC

Drawing for illustration purposes only.



ORDER NO.

83693602



POS.	PART NUMBER	DESCRIPTION	QTY
1		FANUC CRX-10IAL	
2	83693414	FHS-RS Retraction System Size 29 with Hook and Loop Strap	1
3	83723460	ET 29 End Grommet	1
4	83693206	R-SSR D63 Tension Clamp	1
5	83692260	KEG/ZL-M32 End Ball Joint With Strain Relief	1
6	83691462	SH-P/M25-M32 System Holder	1
7	83203060	EWX-PP-LS M32/P29 Slit Black Conduit	4m
8	83693427	FHS-SH Bracket with 550mm Hook and Loop Strap	2
9	83691660	KMG/F-M32 Fixed Ball Joint	2
10	83729010	KE Wire Insertion Tool	1

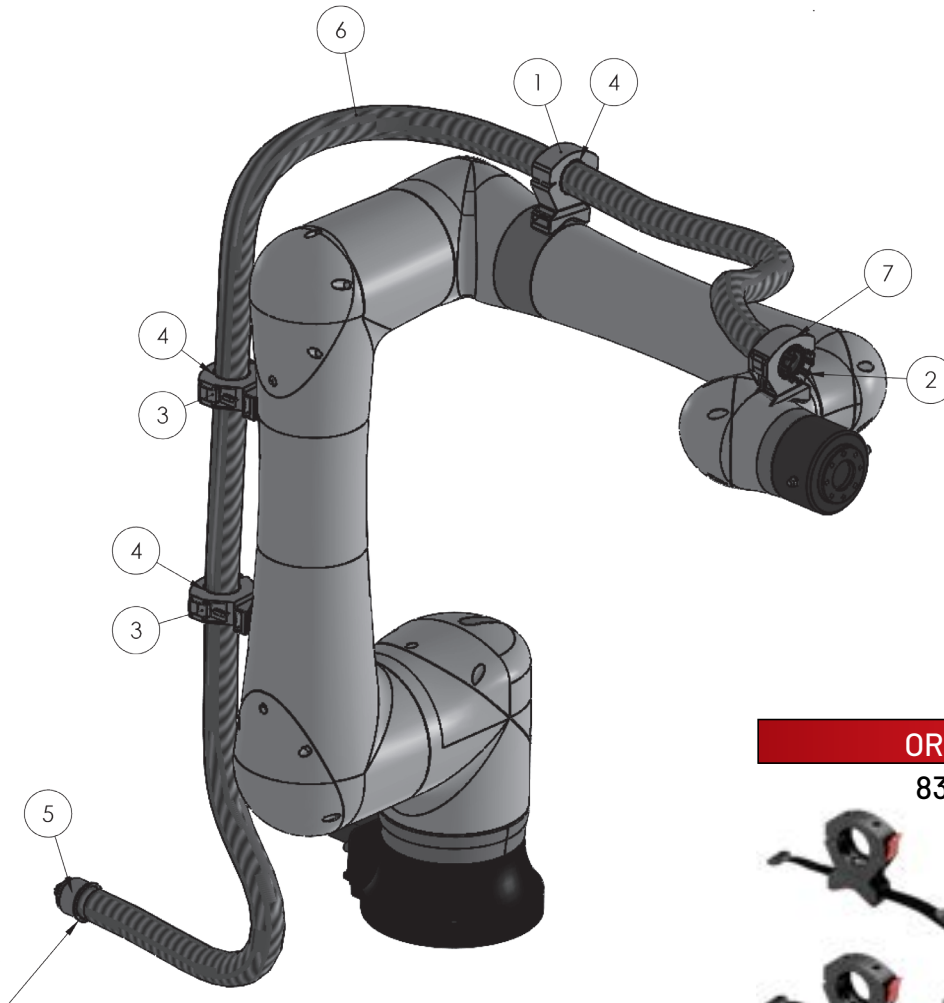
MEDIUM DUTY FLEXIBLE HOLDER SYSTEM

FANUC CRX-10IA FHS-SH-LS KIT, SIZE 29, A1-A6

PART NUMBER NO.: 83800510

FANUC

Drawing for illustration purposes only.



Customer responsible for mounting to J1.



Note: Hook and loop straps not shown

POS.	PART NUMBER	DESCRIPTION	QTY
1	83693425	FHS-SH Bracket with 450mm Hook and Loop Strap	1
2	83182260	EWX-PAE-LS M32/P29 Slit Black Conduit	1
3	83693427	FHS-SH Bracket with 550mm Hook and Loop Strap	2
4	83691660	KMG/F-M32 Fixed Ball Joint	3
5	83723460	ET 29 End Grommet	1
6	83182260	EWX-PAE-LS M32/P29 Slit Black Conduit	3.5m
7	83693423	FHS-SH Bracket with 350mm Hook and Loop Strap	1

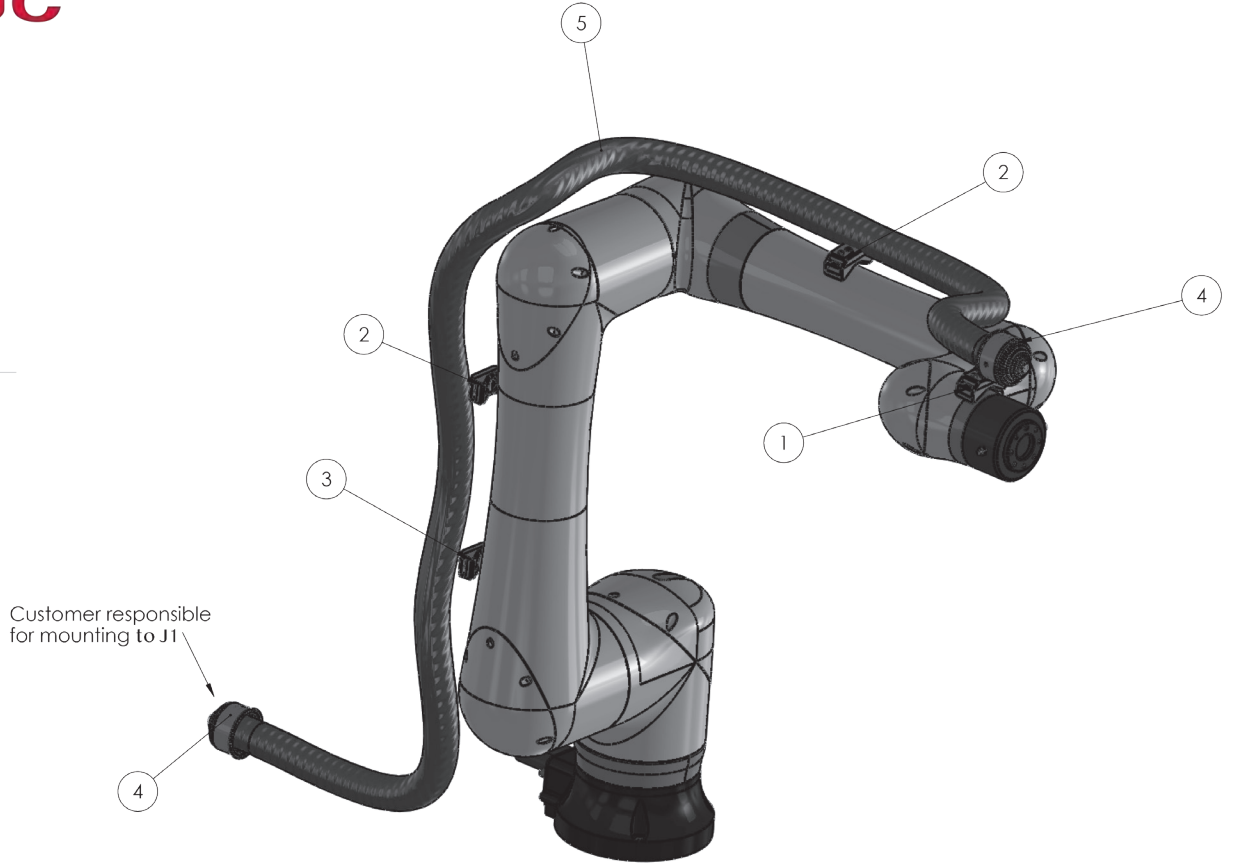
LIGHT DUTY FLEXIBLE HOLDER SYSTEM

FANUC CRX-10IA FHS-C KIT, SIZE 36, A1-A6

PART NUMBER NO.: 83800572

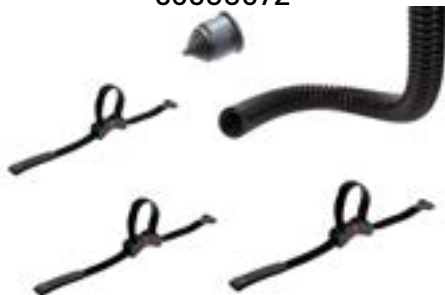
FANUC

Drawing for illustration purposes only.



ORDER NO.

83800572



Note: Hook and loop straps not shown

POS.	PART NUMBER	DESCRIPTION	QTY
1	83693445	FHS-C Bracket with 450mm Hook and Loop Strap	1
2	83693447	FHS-C Bracket with 550mm Hook and Loop Strap	2
3	83693449	FHS-C Bracket with 750mm Hook and Loop Strap	1
4	83723462	ET 36 End Grommet	2
5	83182062	EWX-PAE M40/P36 Black Conduit	3.5m

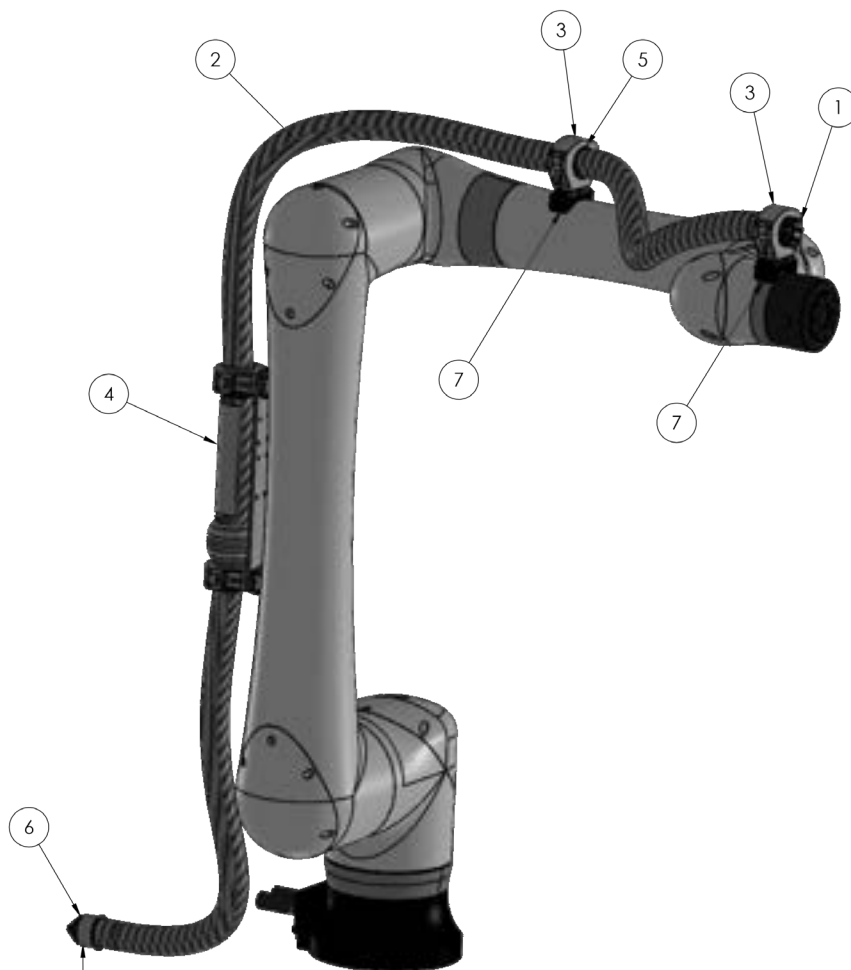
MEDIUM DUTY FLEXIBLE HOLDER SYSTEM

FANUC CRX-10IAL FHS-C-LS KIT, SIZE 29, A1-A6

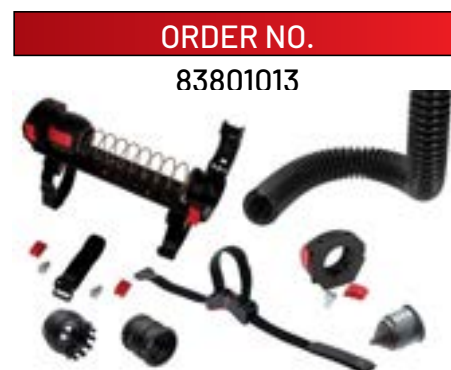
PART NUMBER NO.: 83801013

FANUC

Drawing for illustration purposes only.



NOTE: CUSTOMER IS RESPONSIBLE FOR MOUNTING ET 29



ORDER NO.

83801013

Note: Hook and loop straps not shown
Item 8 not shown individually

POS.	PART NUMBER	DESCRIPTION	QTY
1	83182260	EWX-PAE-LS M32/P29 Slit Black Conduit	1
2	83182060	EWX-PAE M32/P29 Black Conduit	3.5m
3	83691462	SH-P/M25-M32 System Holder	2
4	83693414	FHS-RS Retraction System Size 29 with Hook and Loop Strap	1
5	83691860	KMG/G-M32 Sliding Ball Joint	1
6	83723460	ET 29 End Grommet	1
7	83693445	FHS-C Bracket with 450mm Hook and Loop Strap	2
8	87661015	KBM 520 Metal Cable ties	4

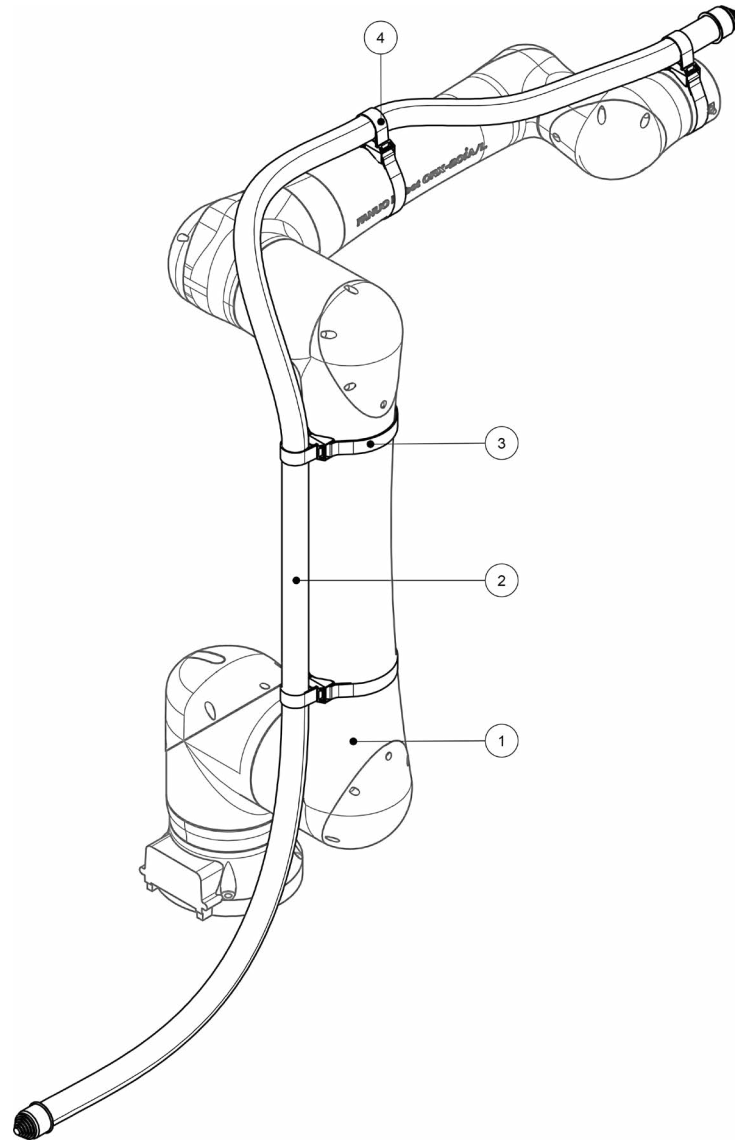
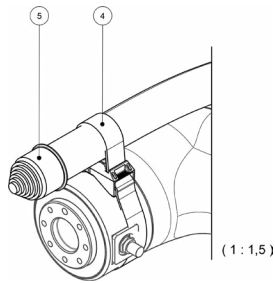
LIGHT DUTY FLEXIBLE HOLDER SYSTEM

FANUC CRX-20IAL & 25IA FHS-C-LS KIT, SIZE 29, A1-A6

PART NUMBER NO.: 83693603

FANUC

Drawing for illustration purposes only.



ORDER NO.
83693603



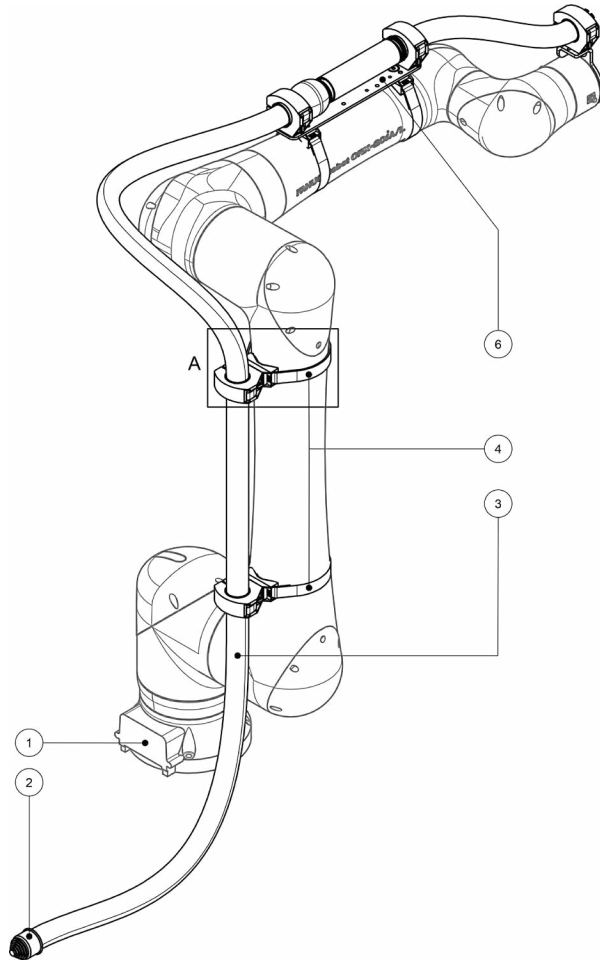
POS.	PART NUMBER	DESCRIPTION	QTY
1		FANUC CRX-10IAL	
2	83203060	EWX-PP-LS M32/P29 Slit Black Conduit	3.5m
3	83693447	FHS-C Bracket with 550mm Hook and Loop Strap	2
4	83693445	FHS-C Bracket with 450mm Hook and Loop Strap	2
5	83723460	ET 29 End Grommet	2

LIGHT DUTY FLEXIBLE HOLDER SYSTEM

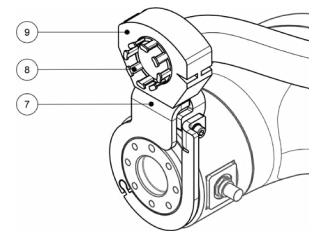
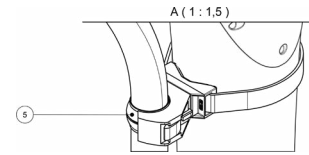
FANUC CRX-20IAL & 25IA FHS-RS-LS KIT, SIZE 29, A1-A6

PART NUMBER NO.: 83693604

FANUC

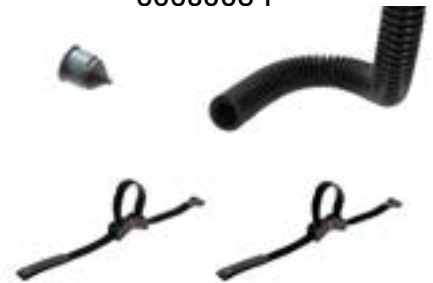


Drawing for illustration purposes only.



ORDER NO.

83693604



POS.	PART NUMBER	DESCRIPTION	QTY
1		FANUC CRX-20IAL & 25IA	
2	83723460	ET 29 End Grommet	1
3	83203060	EWX-PP-LS M32/P29 Slit Black Conduit	7m
4	83693427	FHS-SH Bracket with 550mm Hook and Loop Strap	2
5	83691660	KMG/F-M32 Fixed Ball Joint	2
6	83693414	FHS-RS Retraction System Size 29 with Hook and Loop Strap	1
7	83693206	R-SSR D63 Tension Clamp	1
8	83692260	KEG/ZL-M32 End Ball Joint With Strain Relief	1
9	83691462	SH-P/M25-M32 System Holder	1
10	83729010	KE Wire Insertion Tool	1

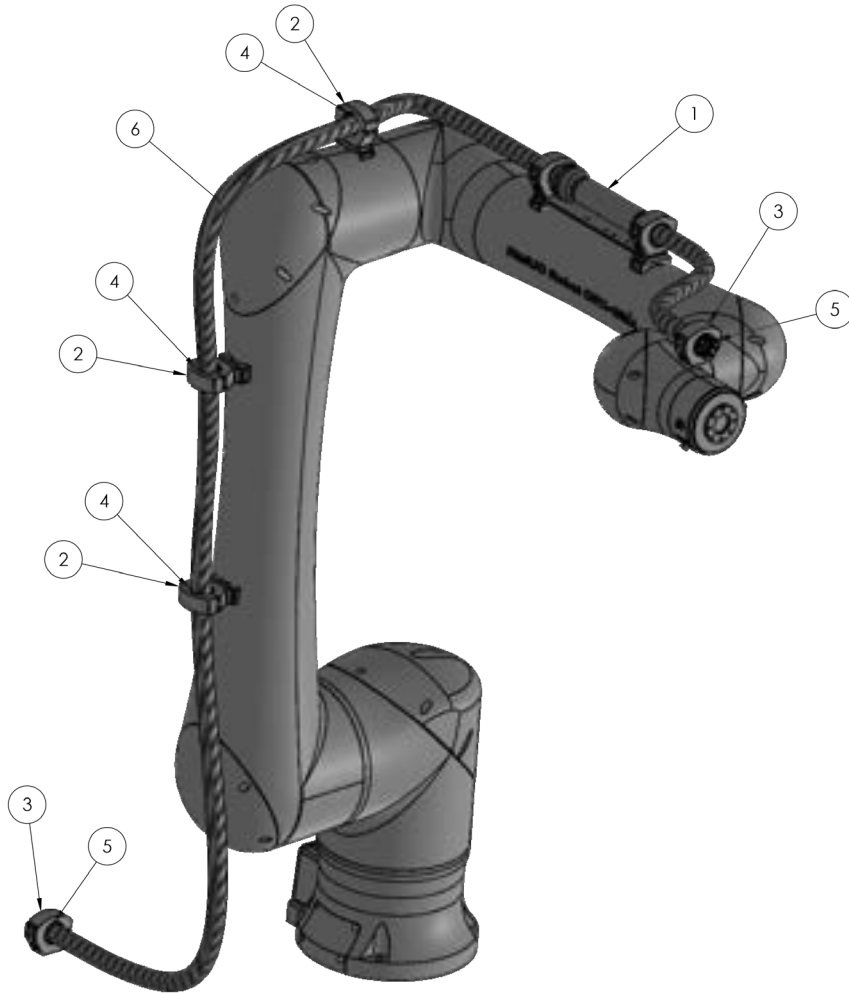
MEDIUM DUTY FLEXIBLE HOLDER SYSTEM

FANUC CRX-25IAL FHS-RS KIT, SIZE 29, A1-A6

PART NUMBER NO.: 83801019

FANUC

Drawing for illustration purposes only.



ORDER NO.

83801019



Note: Hook and loop straps not shown

POS.	PART NUMBER	DESCRIPTION	QTY
1	83693414	FHS-RS Retraction System Size 29 with Hook and Loop Strap	1
2	83693429	FHS-SH Bracket with 750mm Hook and Loop Strap	3
3	83691462	SH-P/M25-M32 System Holder	2
4	83691660	KMG/F-M32 Fixed Ball Joint	3
5	83692260	KEG/ZL-M32 End Ball Joint With Strain Relief	2
6	83182060	EWX-PAE M32/P29 Black Conduit	4.5m

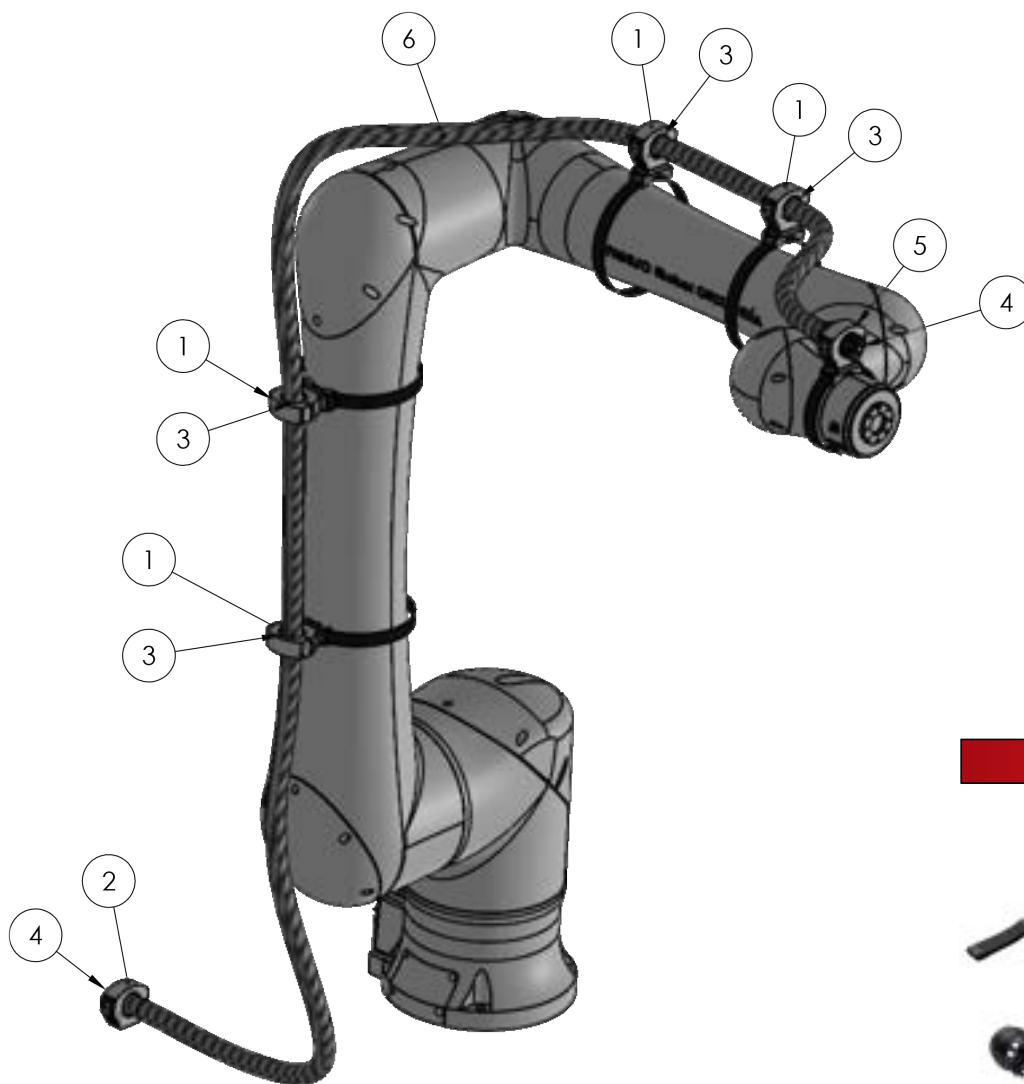
MEDIUM DUTY FLEXIBLE HOLDER SYSTEM

FANUC CRX25IA FHS-SH KIT, SIZE 29, A1-A6

PART NUMBER NO.: 83801023

FANUC

Drawing for illustration purposes only.



ORDER NO.

83801023



Note: Hook and loop straps not shown

POS.	PART NUMBER	DESCRIPTION	QTY
1	83693429	FHS-SH Bracket with 750mm Hook and Loop Strap	4
2	83691462	SH-P/M25-M32 System Holder	1
3	83691660	KMG/F-M32 Fixed Ball Joint	4
4	83692260	KEG/ZL-M32 End Ball Joint With Strain Relief	2
5	83693425	FHS-SH Bracket with 450mm Hook and Loop Strap	1
6	83182060	EWX-PAE M32/P29 Black Conduit	4.5m

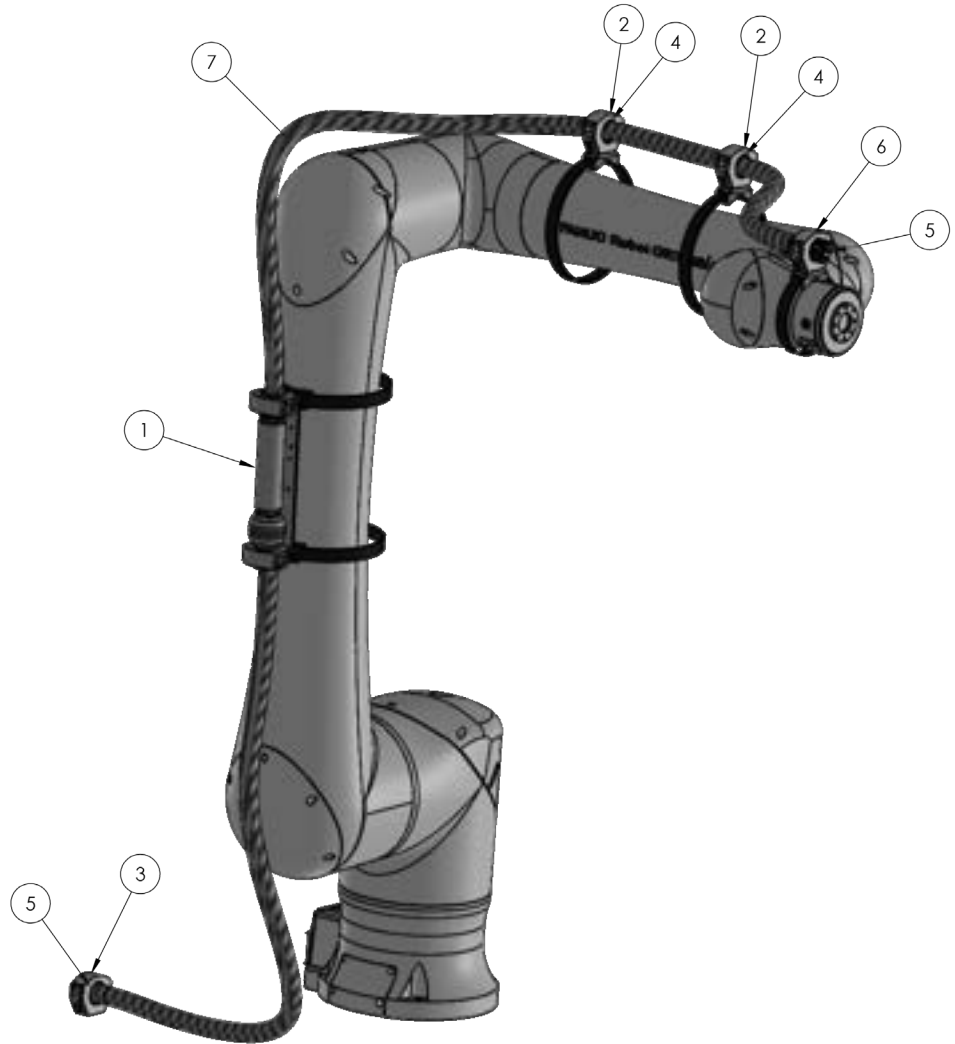
MEDIUM DUTY FLEXIBLE HOLDER SYSTEM

FANUC CRX-25IA FHS-SH-LS RS KIT, SIZE, 29, A1-A6

PART NUMBER NO.: 83801151

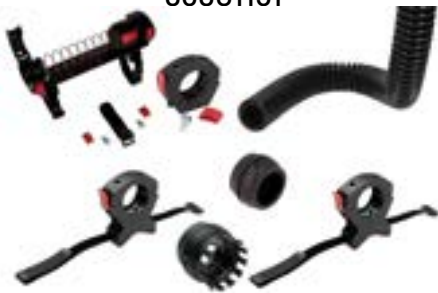
FANUC

Drawing for illustration purposes only.



ORDER NO.

83801151



Note: Hook and loop straps not shown

POS.	PART NUMBER	DESCRIPTION	QTY
1	83693414	FHS-RS Retraction System Size 29 with Hook and Loop Strap	1
2	83693429	FHS-SH Bracket with 750mm Hook and Loop Strap	2
3	83691462	SH-P/M25-M32 System Holder	1
4	83691660	KMG/F-M32 Fixed Ball Joint	2
5	83692260	KEG/ZL-M32 End Ball Joint With Strain Relief	2
6	83693425	FHS-SH Bracket with 450mm Hook and Loop Strap	1
7	83182260	EWX-PAE-LS M32/P29 Slit Black Conduit	4.5m

MEDIUM DUTY FLEXIBLE HOLDER SYSTEM

FANUC SR-6IA FHS KIT, SIZE 29, A1-A6

PART NUMBER NO.: 83800992

FANUC

Drawing for illustration purposes only.



ORDER NO.

83800992



Note: Hook and loop straps not shown
Items 4 and 5 not shown individually

POS.	PART NUMBER	DESCRIPTION	QTY
1	83691462	SH-P/M25-M32 System Holder	3
2	83692260	KEG/ZL-M32 End Ball Joint With Strain Relief	2
3	83693550	KKU-Fix 250, VE10, Hook and Loop straps	2
4	83800990	Swivel mount plate	1
5	83800991	System Holder swivel mount	1
6	83691660	KMG/F-M32 Fixed Ball Joint	1
7	83182060	EWX-PAE M32/P29 Black Conduit	2.5m

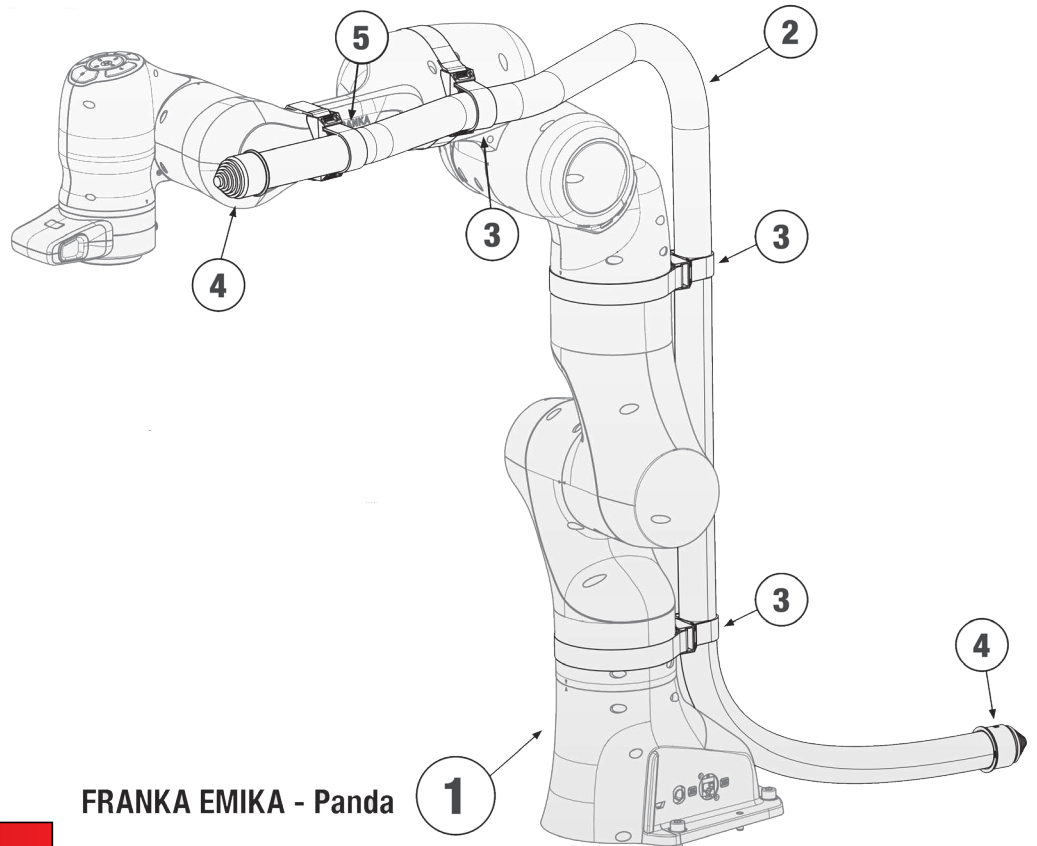
LIGHT DUTY FLEXIBLE HOLDER SYSTEM

FRANKA EMIKA PANDA FHS-C KIT, SIZE 29, A1-A6

PART NUMBER NO.: 83693511



Drawing for illustration purposes only.



FRANKA EMIKA - Panda

ORDER NO.

83693511



POS.	PART NUMBER	DESCRIPTION	QTY
1		Franka Emika - Panda	
2	83182060	EWX-PAE M32/P29 Black Conduit	3m
3	83693447	FHS-C Bracket with 550mm Hook and Loop Strap	3
4	83723460	ET 29 End Grommet	2
5	83693443	FHS-C Bracket with 350mm Hook and Loop Strap	1

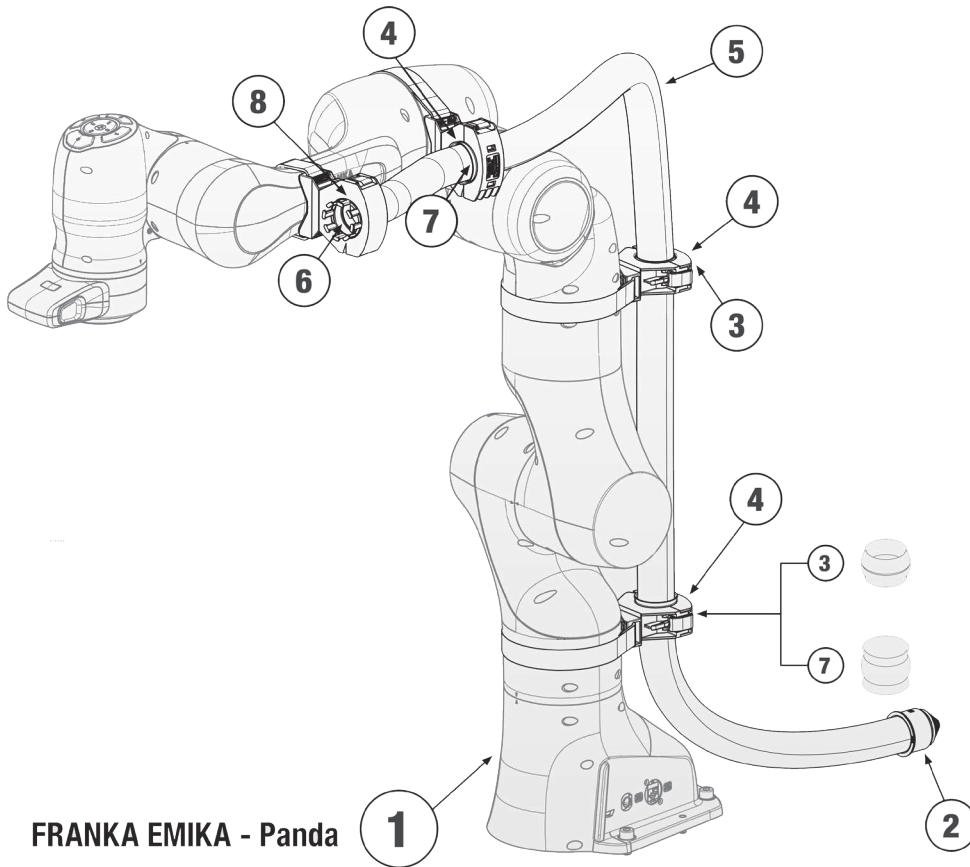
MEDIUM DUTY FLEXIBLE HOLDER SYSTEM

FRANKA EMIKA PANDA FHS-SH-LS KIT, SIZE 29, A1-A6

PART NUMBER NO.: 83693512



Drawing for illustration purposes only.



FRANKA EMIKA - Panda

ORDER NO.

83693512



POS.	PART NUMBER	DESCRIPTION	QTY
1		Franka Emika - Panda	
2	83723460	ET 29 End Grommet	1
3	83691660	KMG/F-M32 Fixed Ball Joint	2
4	83693425	FHS-SH Bracket with 450mm Hook and Loop Strap	3
5	83182060	EWX-PAE M32/P29 Black Conduit	3m
6	83182260	EWX-PAE-LS M32/P29 Slit Black Conduit	1
7	83691860	KMG/G-M32 Sliding Ball Joint	2
8	83693424	FHS-SH Bracket with 300mm Hook and Loop Strap	1

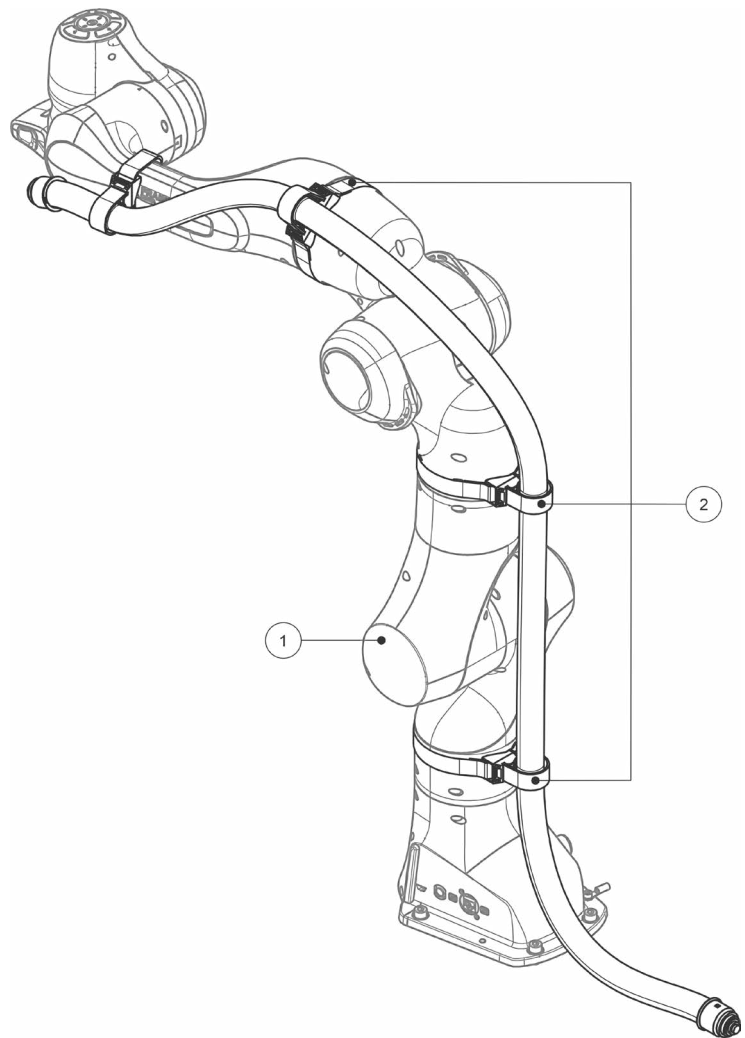
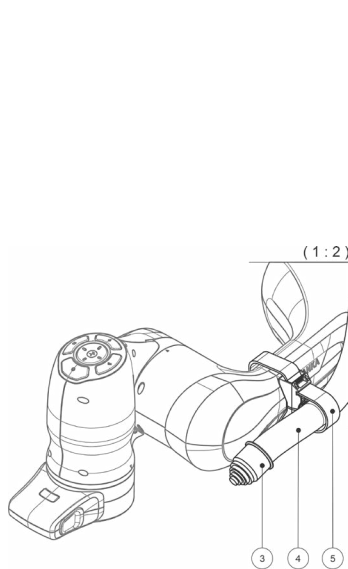
LIGHT DUTY FLEXIBLE HOLDER SYSTEM

FRANKA EMIKA RESEARCH 3 FHS-C KIT, SIZE 21, A1-A6

PART NUMBER NO.: 83693541

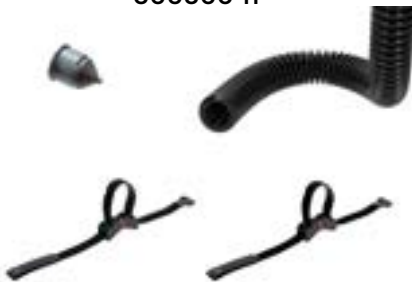


Drawing for illustration purposes only.



ORDER NO.

83693541



POS.	PART NUMBER	DESCRIPTION	QTY
1		Franka Emika Research 3	
2	83693447	FHS-C Bracket with 550mm Hook and Loop Strap	3
3	83723458	ET 21 End Grommet	2
4	83182058	EWX-PAE M25/P21 Black Conduit	2m
5	83693443	FHS-C Bracket with 350mm Hook and Loop Strap	1

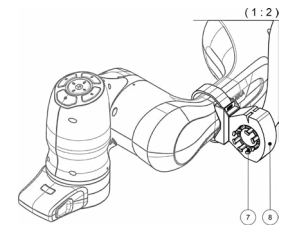
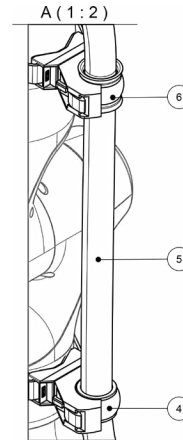
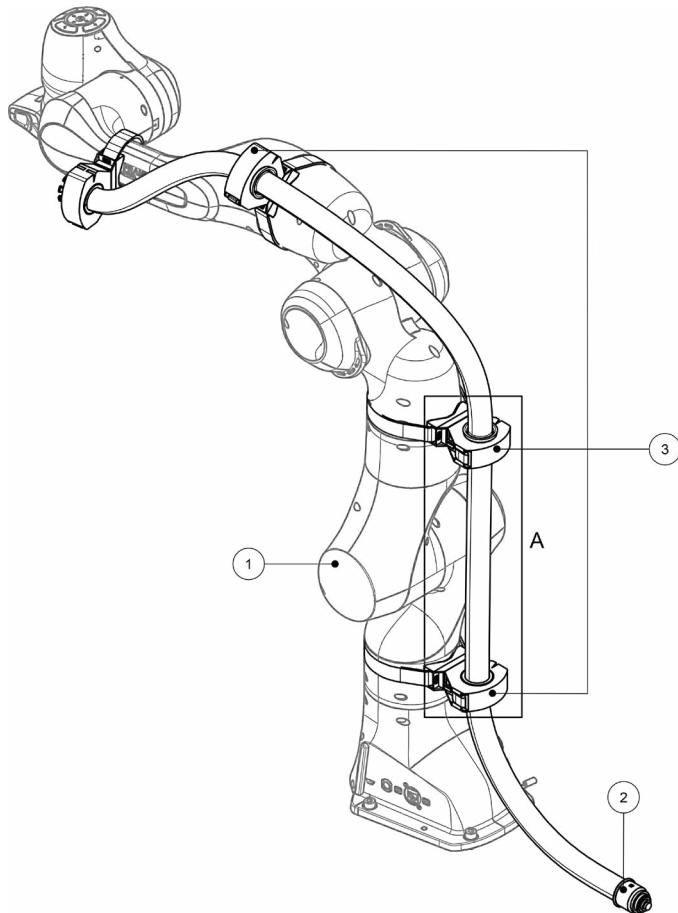
LIGHT DUTY FLEXIBLE HOLDER SYSTEM

FRANKA EMIKA RESEARCH 3 FHS-SH KIT, SIZE 21, A1-A6

PART NUMBER NO.: 83693542



Drawing for illustration purposes only.



ORDER NO.

83693542



POS.	PART NUMBER	DESCRIPTION	QTY
1		Franka Emika Research 3	
2	83723458	ET 21 End Grommet	1
3	83693425	FHS-SH Bracket with 450mm Hook and Loop Strap	3
4	83691658	KMG/F-M25 Fixed Ball Joint	2
5	83182058	EWX-PAE M25/P21 Black Conduit	2m
6	83691858	KMG/G-M25 Sliding Ball Joint	2
7	83692258	KEG/ZL-M25 End Ball Joint with Strain Relief	1
8	83693423	FHS-SH Bracket with 350mm Hook and Loop Strap	1
9	87661260	KB 30 Cable Ties	8

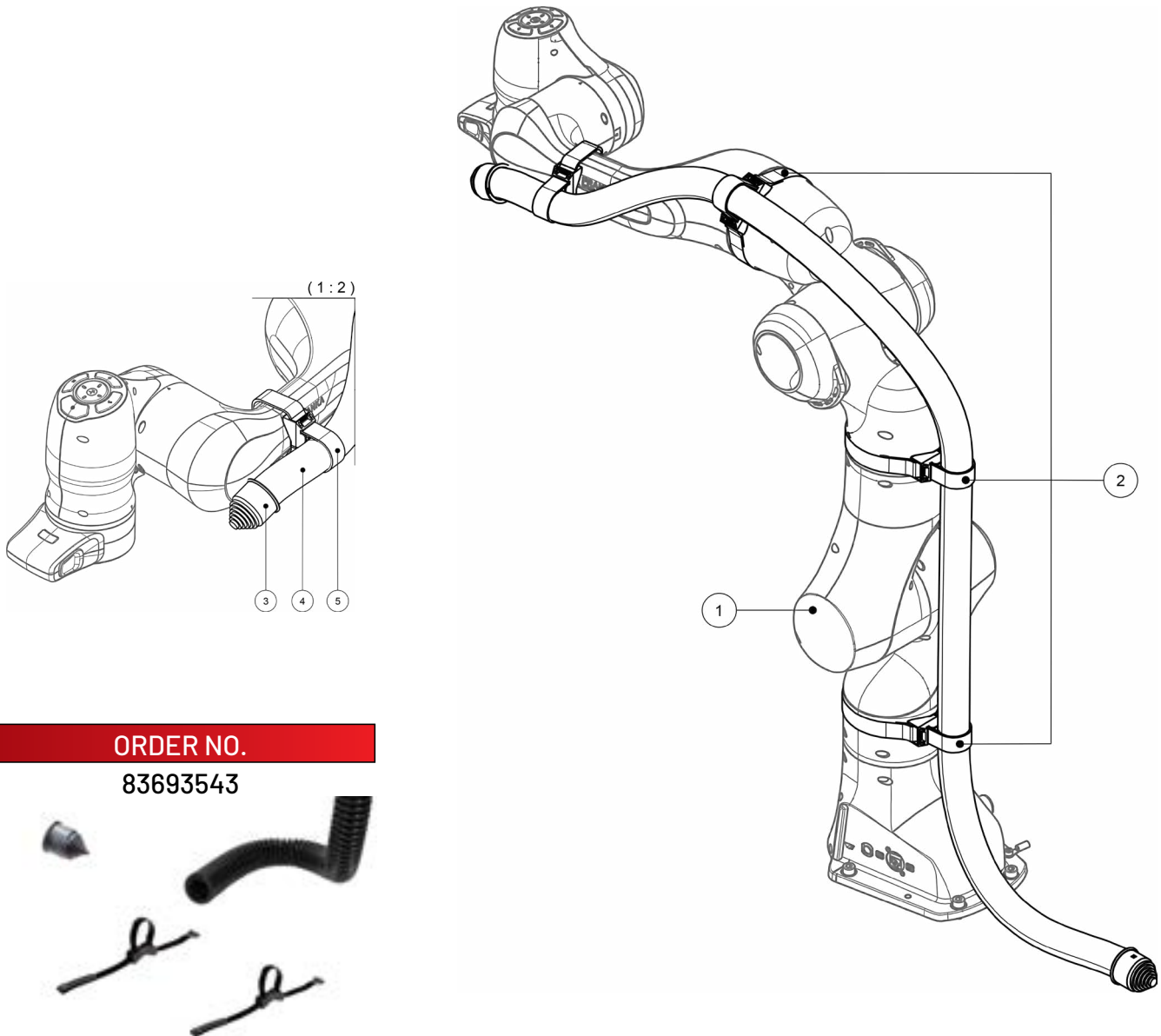
LIGHT DUTY FLEXIBLE HOLDER SYSTEM

FRANKA EMIKA RESEARCH 3 FHS-SH KIT, SIZE 21, A1-A6

PART NUMBER NO.: 83693543



Drawing for illustration purposes only.



ORDER NO.

83693543

POS.	PART NUMBER	DESCRIPTION	QTY
1		Franka Emika Research 3	
2	83693425	FHS-SH Bracket with 450mm Hook and Loop Strap	3
3	83723458	ET 21 End Grommet	2
4	83182058	EWX-PAE M25/P21 Black Conduit	2m
5	83693423	FHS-SH Bracket with 350mm Hook and Loop Strap	1

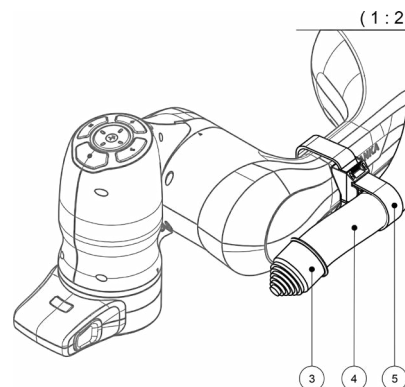
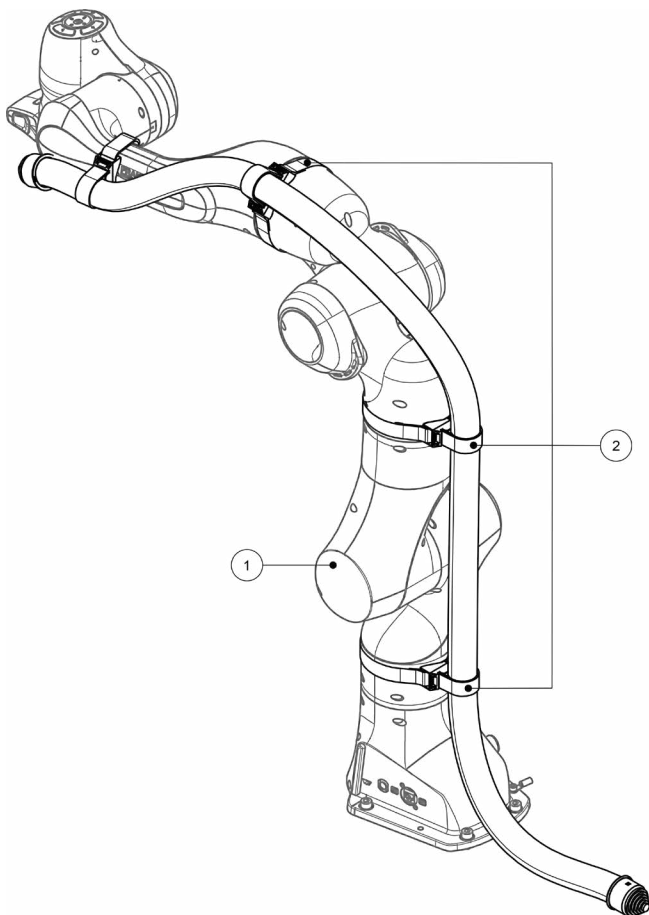
LIGHT DUTY FLEXIBLE HOLDER SYSTEM

FRANKA EMIKA RESEARCH 3 FHS-SH-LS KIT, SIZE 29, A1-A6

PART NUMBER NO.: 83693544

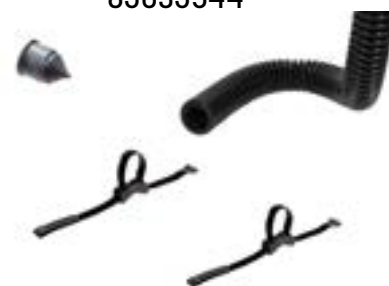


Drawing for illustration purposes only.



ORDER NO.

83693544



POS.	PART NUMBER	DESCRIPTION	QTY
1		Franka Emika Research 3	
2	83723460	ET 29 End Grommet	1
3	83693425	FHS-SH Bracket with 450mm Hook and Loop Strap	3
4	83691660	KMG/F-M32 Fixed Ball Joint	2
5	83182260	EWX-PAE-LS M32/P29 Slit Black Conduit	2m
6	83691860	KMG/G-M32 Sliding Ball Joint	2
7	83692260	KEG/ZL-M32 End Ball Joint With Strain Relief	1
8	83693423	FHS-SH Bracket with 350mm Hook and Loop Strap	1
9	87661260	KB 30 Cable Ties	8

LIGHT DUTY FLEXIBLE HOLDER SYSTEM

HANWHA HCR 3 FHS-SH KIT, SIZE 21, A1-A6

PART NUMBER NO.: 83693508



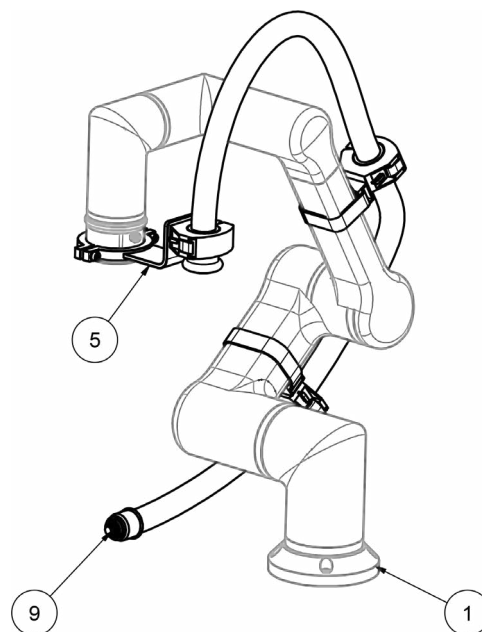
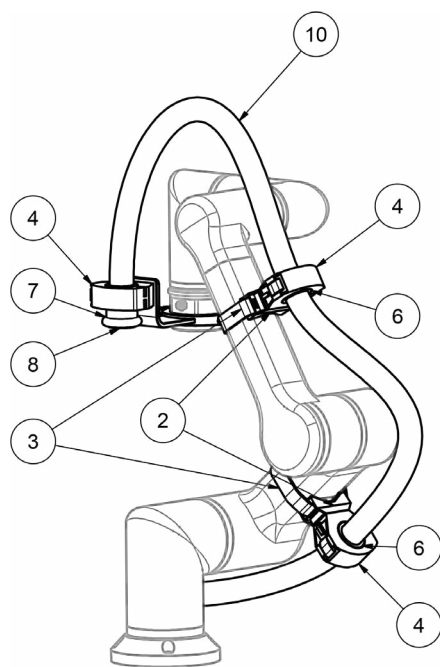
Drawing for illustration purposes only.

ORDER NO.

83693508



Line 2 and 8 not shown individually.



POS.	PART NUMBER	DESCRIPTION	QTY
1		HANWHA HCR 3	
2	83693420	FHS-SH-G System Holder Mounting Base	2
3	83693401	Hook and Loop Strap 350mm	1
4	83691462	SH-P/M25-M32 System Holder	3
5	83693211	R-SSR D73 Tension Clamp	1
6	83691658	KMG/F-M25 Fixed Ball Joint	2
7	83692458	KEG/K-M25 Ball Joint	1
8	83951606	R-ZL/N1 21/29 Blank Strain Relief	1
9	83723458	ET 21 End Grommet	1
10	83182058	EWX-PAE M25/P21 Black Conduit	1.3m

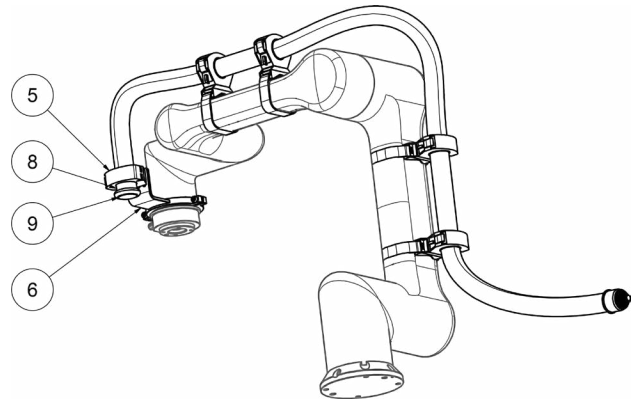
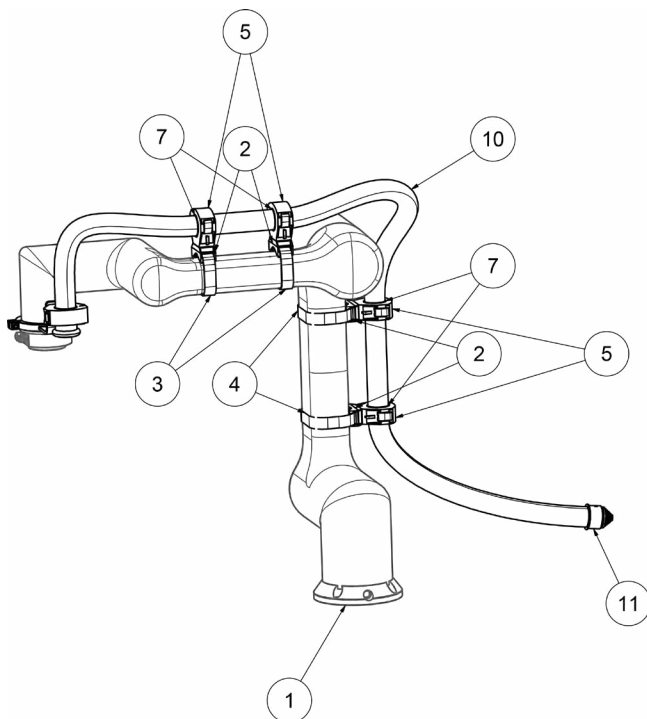
LIGHT DUTY FLEXIBLE HOLDER SYSTEM

HANWHA HCR 5 FHS-SH KIT, SIZE 29, A1-A6

PART NUMBER NO.: 83693509



Drawing for illustration purposes only.



ORDER NO.

83693509



Line 2 and 6 not shown individually.

POS.	PART NUMBER	DESCRIPTION	QTY
1		HANWHA HCR 5	
2	83693420	FHS-SH-G System Holder Mounting Base	4
3	83693401	Hook and Loop Strap 350mm	2
4	83693403	Hook and Loop Strap 450mm	2
5	83691462	SH-P/M25-M32 System Holder	5
6	83693210	R-SSR D84 Tension Clamp	1
7	83691660	KMG/F-M32 Fixed Ball Joint	4
8	83692460	KEG/K-M32 Ball Joint	1
9	83691606	R-ZL/N1 21/29 Blank Strain Relief	1
10	83182060	EWX-PAE M32/P29 Black Conduit	2m
11	83723460	ET 29 End Grommet	1

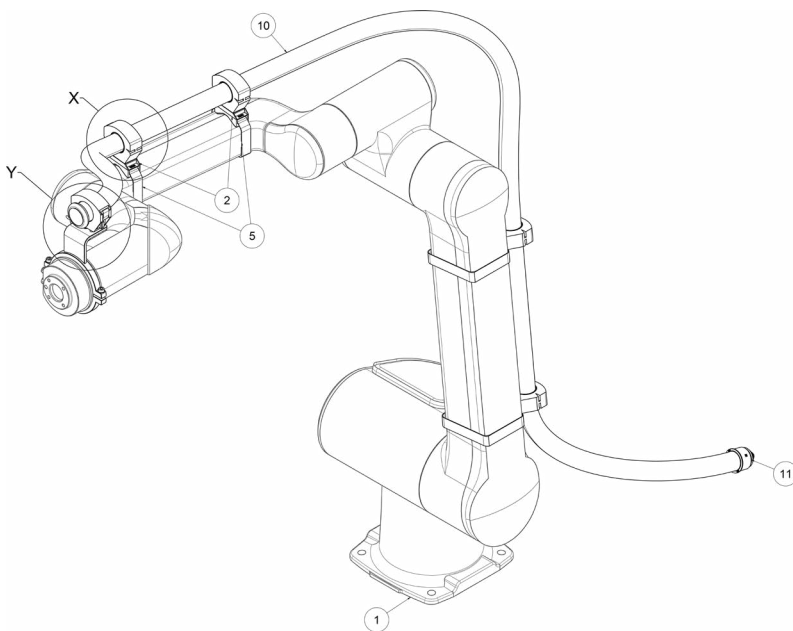
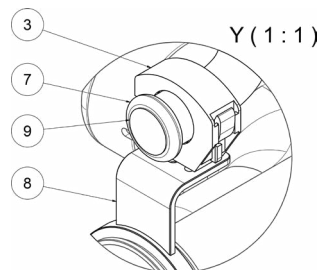
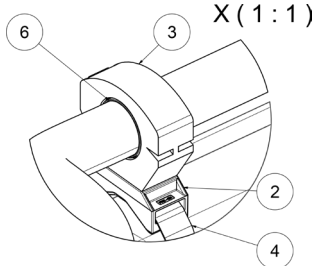
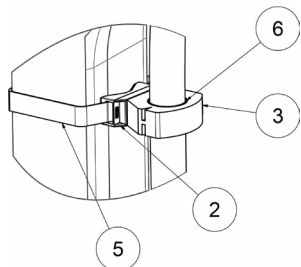
LIGHT DUTY FLEXIBLE HOLDER SYSTEM

HANWHA HCR 12 FHS-SH KIT, SIZE 29, A1-A6

PART NUMBER NO.: 83693510



X (1:1) Y (1:1) Drawing for illustration purposes only.



ORDER NO.

83693510



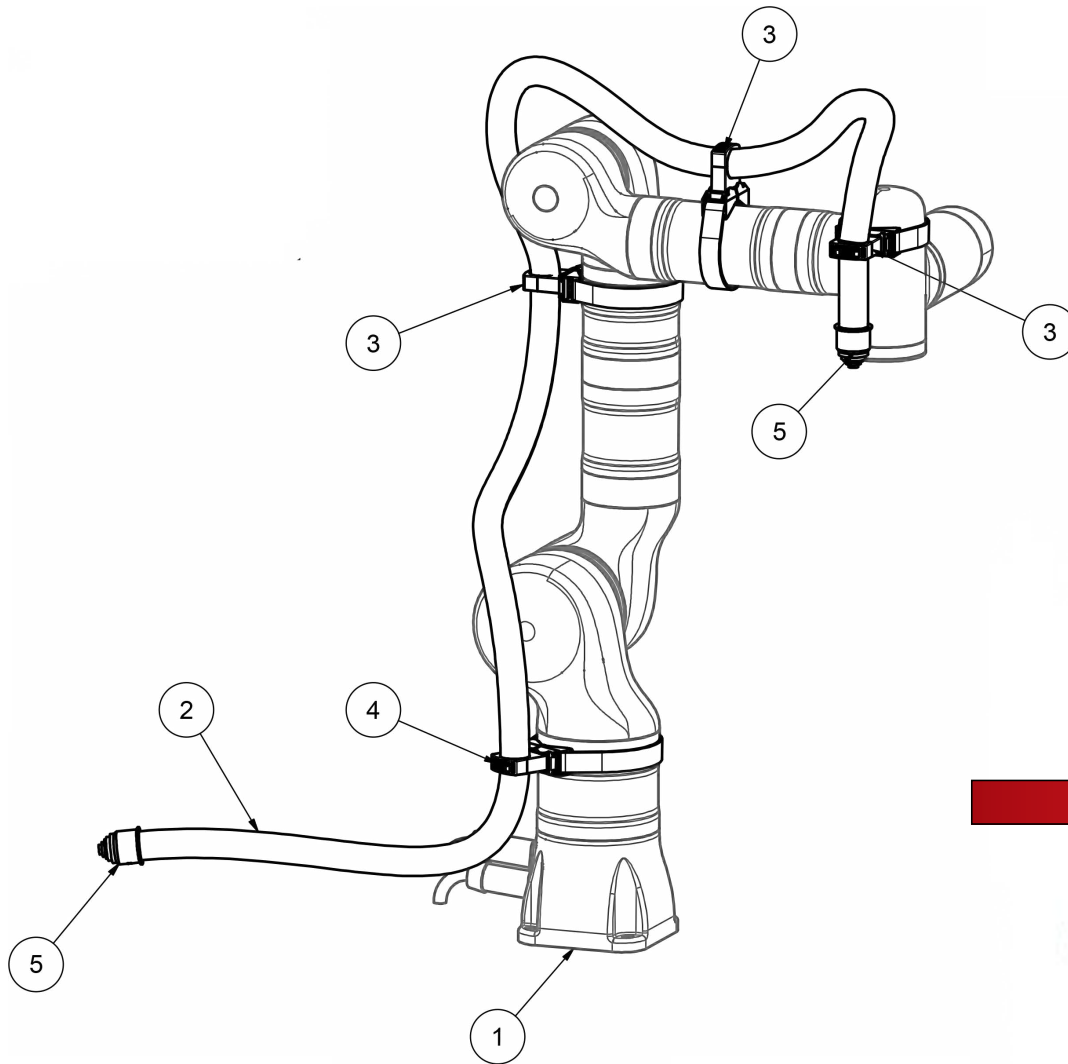
Line 2 and 8 not shown individually.

POS.	PART NUMBER	DESCRIPTION	QTY
1		HANWHA HCR 5	
2	83693420	FHS-SH-G System Holder Mounting Base	1
3	83691462	SH-P/M25-M32 System Holder	1
4	83693401	Hook and Loop Strap 350mm	4
5	83693405	Hook and Loop Strap 550mm	1
6	83691660	KMG/F-M32 Fixed Ball Joint	4
7	83692460	KEG/K-M32 Ball Joint	1
8	83693209	R-SSR D95 Tension Clamp	1
9	83691606	KMG-F H66/25 Set of Ball Joint and Sytem Holder	1
10	83182060	EWX-PAE M32/P29 Black Conduit	3m
11	83723460	ET 29 End Grommet	1

LIGHT DUTY FLEXIBLE HOLDER SYSTEM

KASSOW 0810 FHS-UHE-LS KIT, SIZE 21, A1-A6

PART NUMBER NO.: 83693513



ORDER NO.

83693513

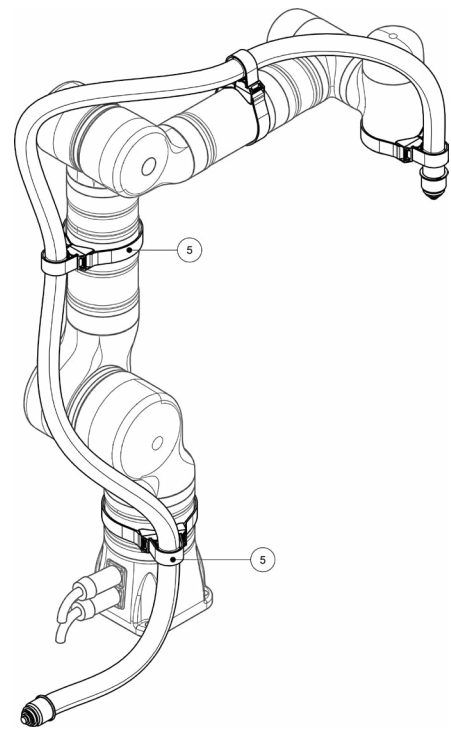
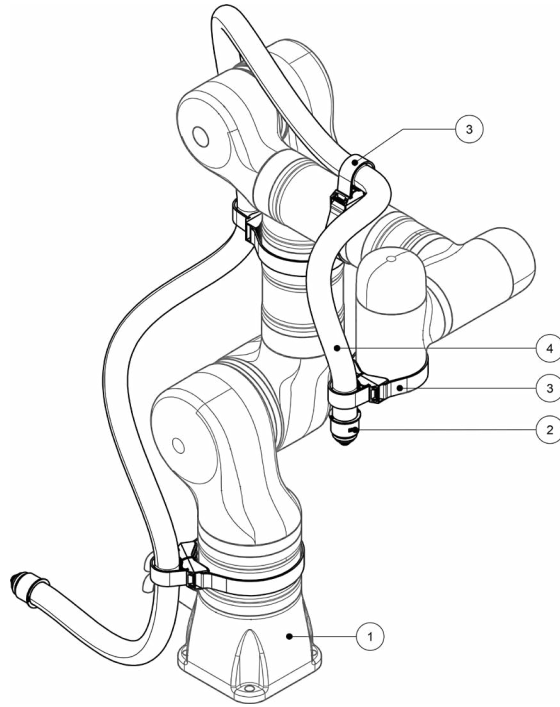


POS.	PART NUMBER	DESCRIPTION	QTY
1		KASSOW 0810	
2	83203058	EWX-PP-LS M25/P21 Slit BlackConduit	3m
3	83693461	FHS-UHE Bracket with 350mm Holder and Loop Strap	3
4	83693462	FHS-UHE Bracket with 450mm Holder and Loop Strap	1
5	83723458	ET 21 End Grommet	2

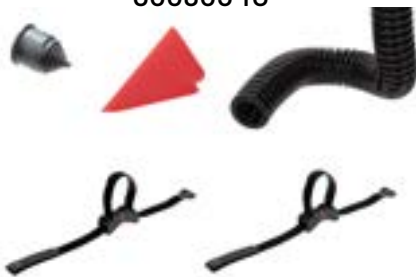
LIGHT DUTY FLEXIBLE HOLDER SYSTEM

KASSOW 0810 FHS-C-LS KIT, SIZE 21, A1-A6

PART NUMBER NO.: 83693540



ORDER NO.
83693540

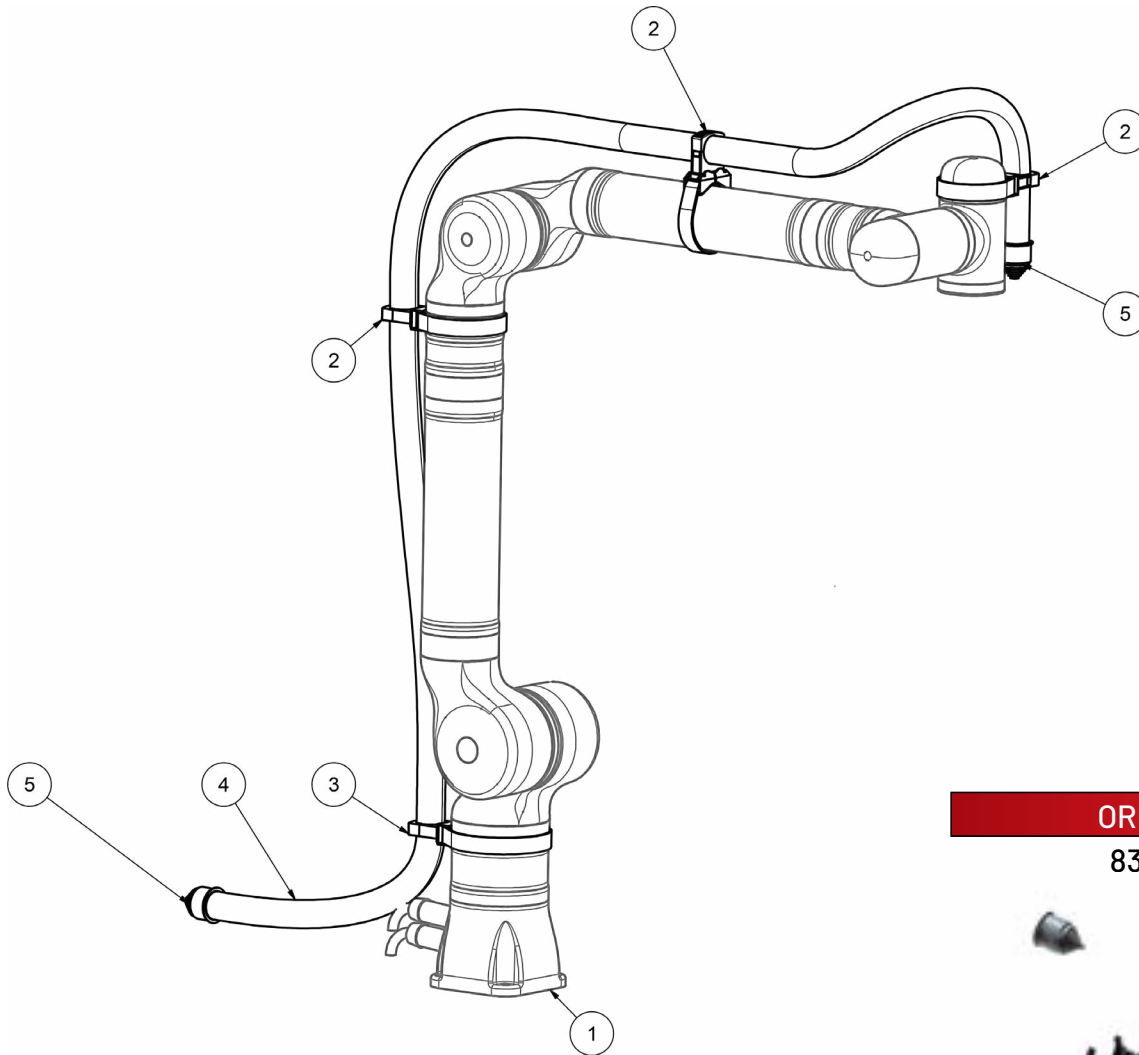


POS.	PART NUMBER	DESCRIPTION	QTY
1		KASSOW 0810	
2	83723458	ET 21 End Grommet	2
3	83693443	FHS-C Bracket with 350mm Hook and Loop Strap	2
4	83203058	EWX-PP-LS M25/P21 Slit BlackConduit	3m
5	83693445	FHS-C Bracket with 450mm Hook and Loop Strap	2
6	83729010	KE Wire Insertion Tool	1

LIGHT DUTY FLEXIBLE HOLDER SYSTEM

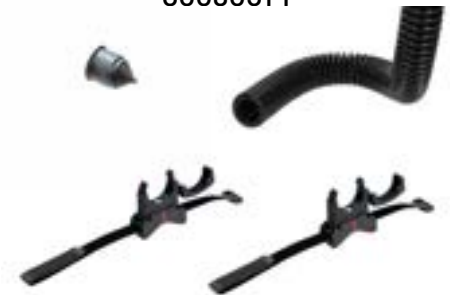
KASSOW 1205 FHS-UHE-LS KIT, SIZE 29, A1-A6

PART NUMBER NO.: 83693514



ORDER NO.

83693514

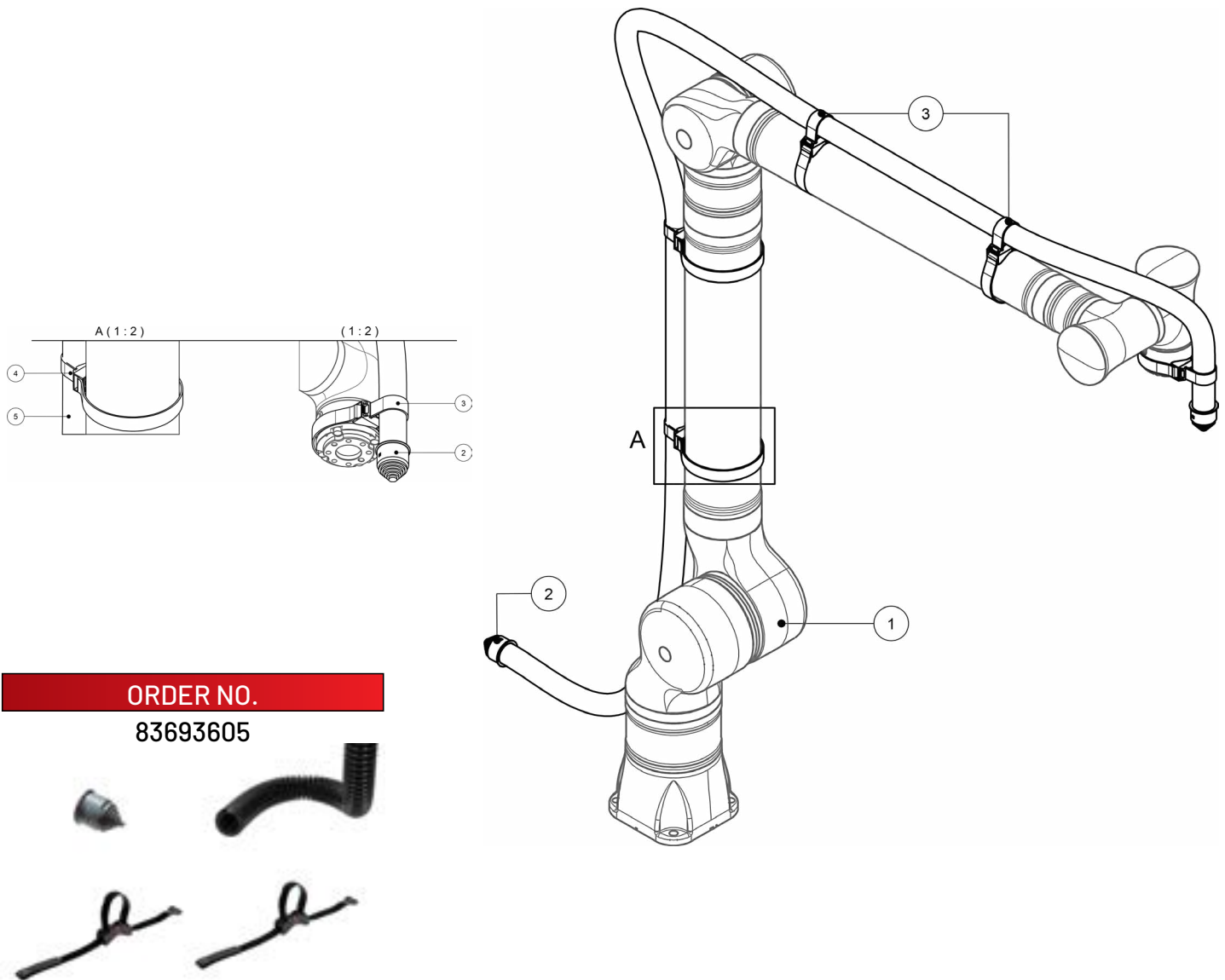


POS.	PART NUMBER	DESCRIPTION	QTY
1		KASSOW 0810	
2	83693466	FHS-UHE Bracket with 350mm Holder and Loop Strap	3
3	83693467	FHS-UHE Bracket with 450mm Holder and Loop Strap	1
4	83203060	EWX-PP-LS M32/P29 Slit Black Conduit	5m
5	83723460	ET 29 End Grommet	2

LIGHT DUTY FLEXIBLE HOLDER SYSTEM

KASSOW KR1805 FHS-C KIT, SIZE 29, A1-A6

PART NUMBER NO.: 83693605



ORDER NO.
83693605

POS.	PART NUMBER	DESCRIPTION	QTY
1		KASSOW 0810	
2	83723460	ET 29 End Grommet	2
3	83693445	FHS-C Bracket with 450mm Hook and Loop Strap	3
4	83693447	FHS-C Bracket with 550mm Hook and Loop Strap	2
5	83182060	EWX-PAE M32/P29 Black Conduit	4m

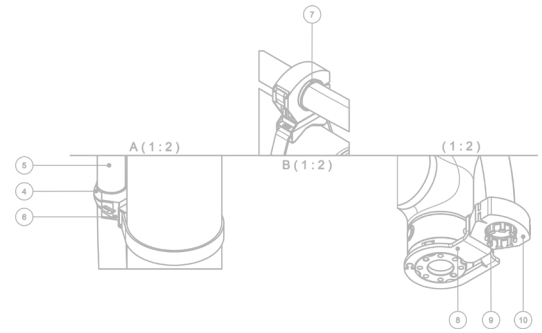
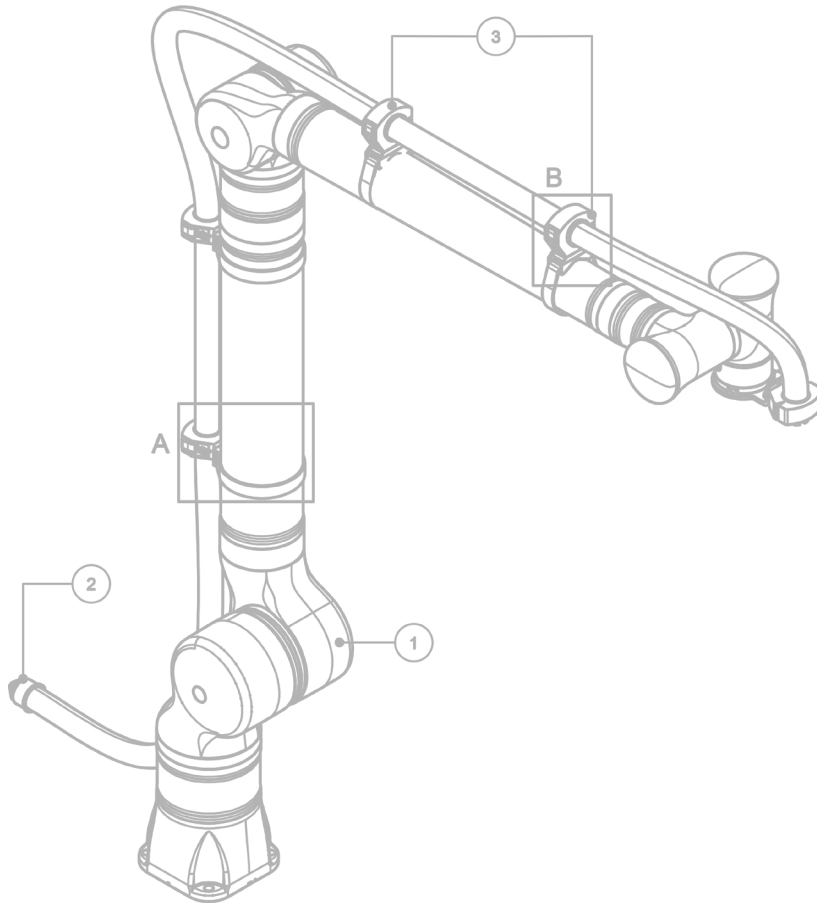
LIGHT DUTY FLEXIBLE HOLDER SYSTEM

KASSOW KR1805 FHS-SH-UNI KIT, SIZE 29, A1-A6

PART NUMBER NO.: 83693606

kassow robots
strong · fast · simple

Drawing for illustration purposes only.



ORDER NO.

83693606



POS.	PART NUMBER	DESCRIPTION	QTY
1		KASSOW 0810	
2	83723460	ET 29 End Grommet	1
3	83693425	FHS-SH Bracket with 450mm Hook and Loop Strap	2
4	83691660	KMG/F-M32 Fixed Ball Joint	2
5	83182060	EWX-PAE M32/P29 Black Conduit	4m
6	83693427	FHS-SH Bracket with 550mm Hook and Loop Strap	2
7	83691860	KMG/G-M32 Sliding Ball Joint	2
8	83693206	R-SSR D63 Tension Clamp	1
9	83692260	KEG/ZL-M32 End Ball Joint With Strain Relief	1
10	83691462	SH-P/M25-M32 System Holder	1

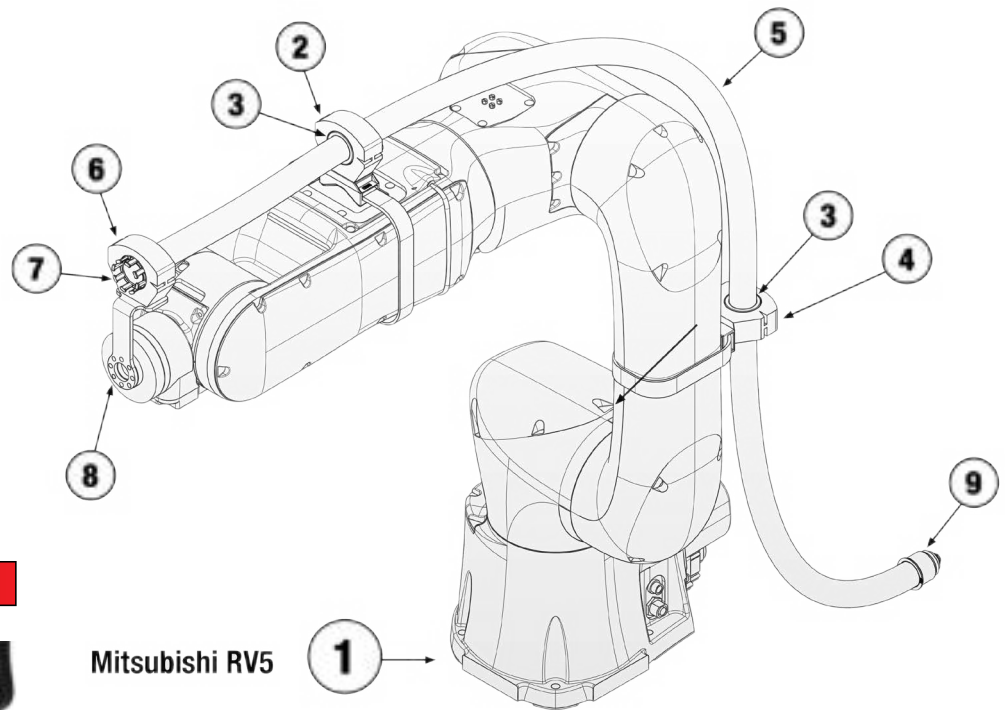
MEDIUM DUTY FLEXIBLE HOLDER SYSTEM

MITSUBISHI RV5 FHS-SH-LS KIT, SIZE 21, A1-A6

PART NUMBER NO.: 83693520



Drawing for illustration purposes only.



ORDER NO.

83693520



Mitsubishi RV5

POS.	PART NUMBER	DESCRIPTION	QTY
1		Mitsubishi RV5	
2	83693427	FHS-SH Bracket with 550mm Hook and Loop Strap	1
3	83691658	KMG/F-M25 Fixed Ball Joint	2
4	83693429	FHS-SH Bracket with 750mm Hook and Loop Strap	1
5	83203058	EWX-PP-LS M25/P21 Slit Black Conduit	3m
6	83691462	SH-P/M25-M32 System Holder	1
7	83692258	KEG/ZL-M25 End Ball Joint with Strain Relief	1
8	83692753	Kuka KR6, KR 10 Retaining Plate, Axis 6	1
9	83723458	ET 21 End Grommet	1

LIGHT DUTY FLEXIBLE HOLDER SYSTEM

MITSUBISHI RV5 FHS-C-LS KIT, SIZE 21, A1-A6

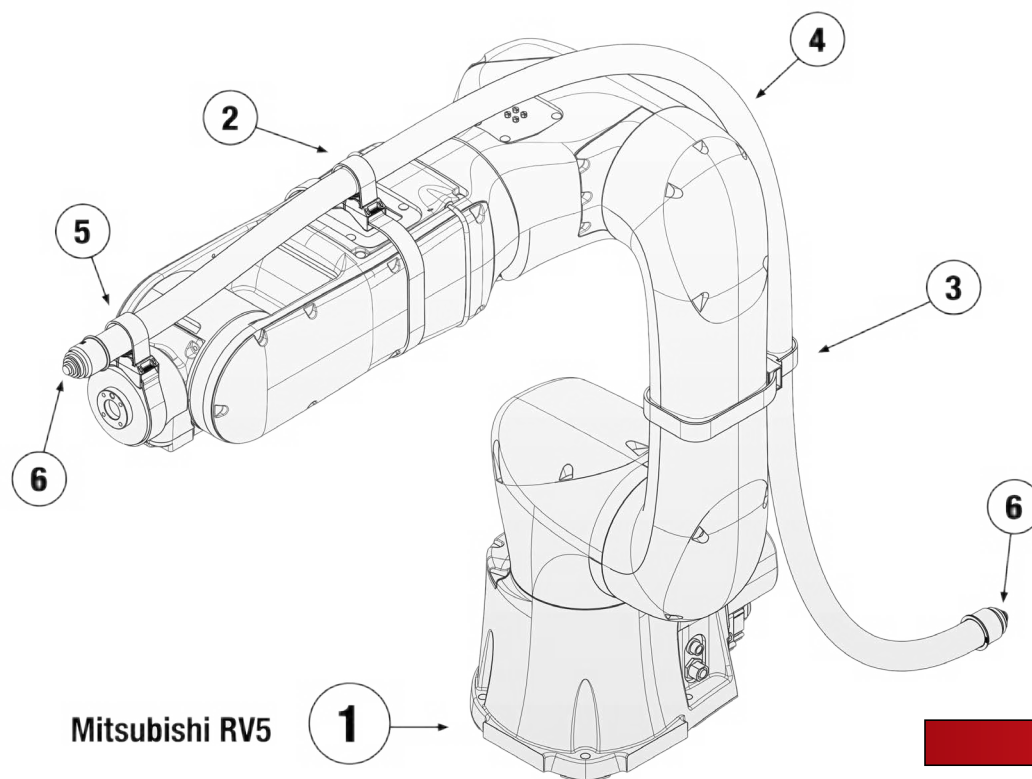
PART NUMBER NO.: 83693521

murrplastik
Simply Smart Systems

www.murrplastik.com



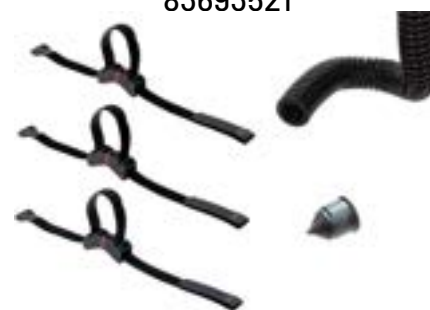
Drawing for illustration purposes only.



Mitsubishi RV5

ORDER NO.

83693521



POS.	PART NUMBER	DESCRIPTION	QTY
1		Mitsubishi RV5	
2	83693447	FHS-C Bracket with 550mm Hook and Loop Strap	1
3	83693449	FHS-C Bracket with 750mm Hook and Loop Strap	1
4	83203058	EWX-PP-LS M25/P21 Slit BlackConduit	3m
5	83693445	FHS-C Bracket with 450mm Hook and Loop Strap	1
6	83723458	ET 21 End Grommet	2

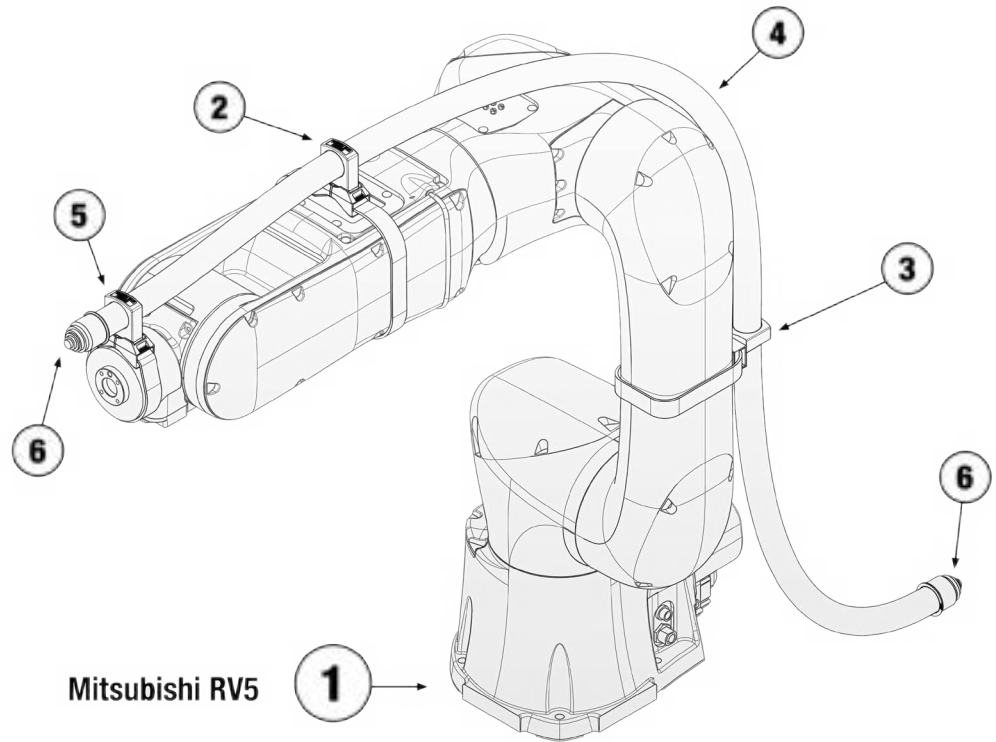
LIGHT DUTY FLEXIBLE HOLDER SYSTEM

MITSUBISHI RV5 FHS-UHE-LS KIT, SIZE 21, A1-A6

PART NUMBER NO.: 83693522



Drawing for illustration purposes only.



ORDER NO.

83693522



POS.	PART NUMBER	DESCRIPTION	QTY
1		Mitsubishi RV5	
2	83693463	FHS-UHE Bracket with 550mm Holder and Loop Strap	1
3	83693464	FHS-UHE Bracket with 550mm Holder and Loop Strap	1
4	83203058	EWX-PP-LS M25/P21 Slit BlackConduit	3m
5	83693461	FHS-UHE Bracket with 350mm Holder and Loop Strap	1
6	83723458	ET 21 End Grommet	2

LIGHT DUTY FLEXIBLE HOLDER SYSTEM

NACHI CZ10 FHS KIT, SIZE 29, A1-A6

PART NUMBER NO.: 83800809

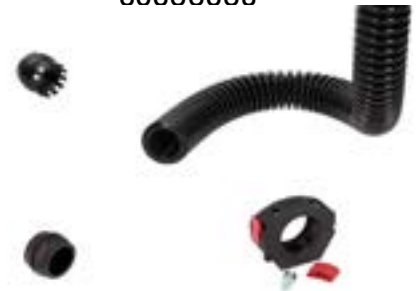


Drawing for illustration purposes only.



ORDER NO.

83800809



Note: Hook and loop straps not shown
Items 1 and 3 not shown individually

POS.	PART NUMBER	DESCRIPTION	QTY
1	83800799	A3-A6 System Holder L-joint	2
2	83691462	SH-P/M25-M32 System Holder	5
3	83800798	A1-A3 System Holder L-joint	3
4	83692260	KEG/ZL-M32 End Ball Joint With Strain Relief	2
5	83691660	KMG/F-M32 Fixed Ball Joint	3
6	83182060	EWX-PAE M32/P29 Black Conduit	2.1m

LIGHT DUTY FLEXIBLE HOLDER SYSTEM

SCHNEIDER LXMRL12S000 FHS-C KIT, SIZE 29, A1-A6

PART NUMBER NO.: 83801178

Drawing for illustration purposes only.



ORDER NO.
83801178



Note: Hook and loop straps not shown
Item 1 is not shown individually

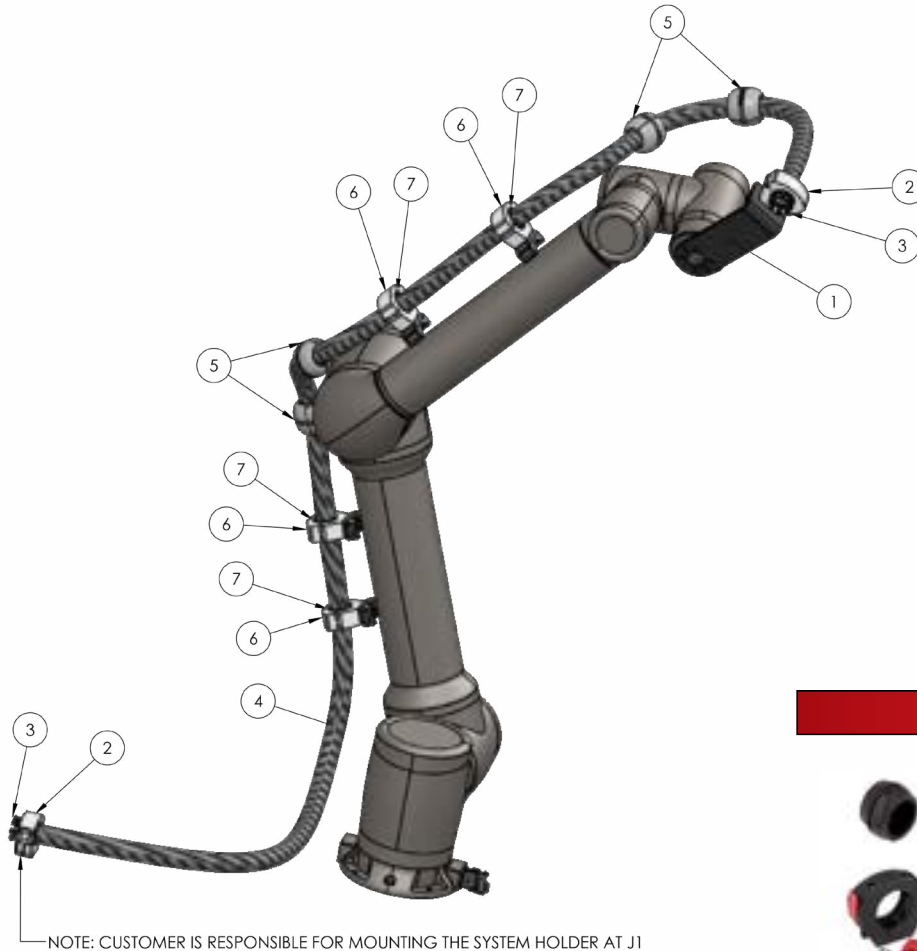
POS.	PART NUMBER	DESCRIPTION	QTY
1	83800695	63mm Diameter Wrist Support	1
2	83691462	SH-P/M25-M32 System Holder	2
3	83692260	KEG/ZL-M32 End Ball Joint With Strain Relief	2
4	83693443	FHS-C Bracket with 350mm Hook and Loop Strap	4
5	83182060	EWX-PAE M32/P29 Black Conduit	3.5m
6	83691260	PR/SV-EWX 29 Protector	4

MEDIUM DUTY FLEXIBLE HOLDER SYSTEM

SCHNEIDER LXMR12S000 FHS-SH KIT, SIZE 29, A1-A6

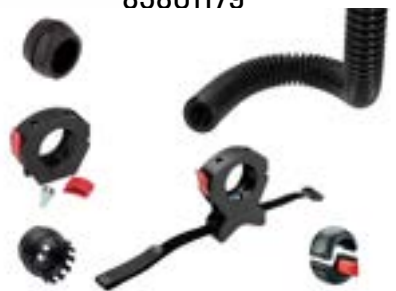
PART NUMBER NO.: 83801179

Drawing for illustration purposes only.



ORDER NO.

83801179



Note: Hook and loop straps not shown
Item 1 is not shown individually

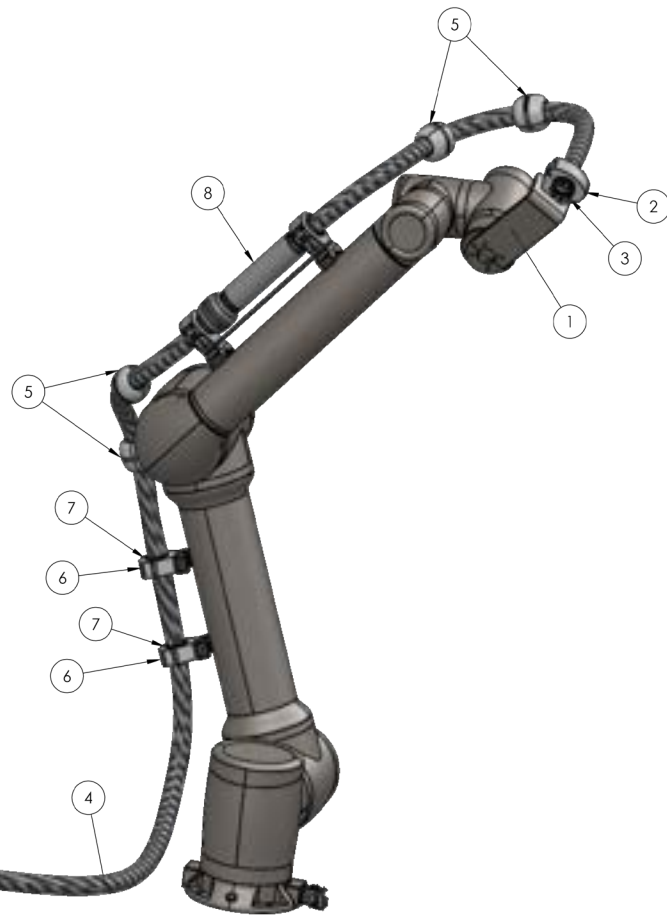
POS.	PART NUMBER	DESCRIPTION	QTY
1	83800695	63mm Diameter Wrist Support	1
2	83691462	SH-P/M25-M32 System Holder	2
3	83692260	KEG/ZL-M32 End Ball Joint With Strain Relief	2
4	83182060	EWX-PAE M32/P29 Black Conduit	3.5m
5	83691260	PR/SV-EWX 29 Protector	4
6	83693423	FHS-SH Bracket with 350mm Hook and Loop Strap	4
7	83691660	KMG/F-M32 Fixed Ball Joint	4

LIGHT DUTY FLEXIBLE HOLDER SYSTEM

SCHNEIDER LXMRL12S000 FHS-SH RS KIT, SIZE 29, A1-A6

PART NUMBER NO.: 83801180

Drawing for illustration purposes only.



NOTE: CUSTOMER IS RESPONSIBLE FOR MOUNTING THE SYSTEM HOLDER AT J1

ORDER NO.

83801180



Note: Hook and loop straps not shown
Item 1 is not shown individually

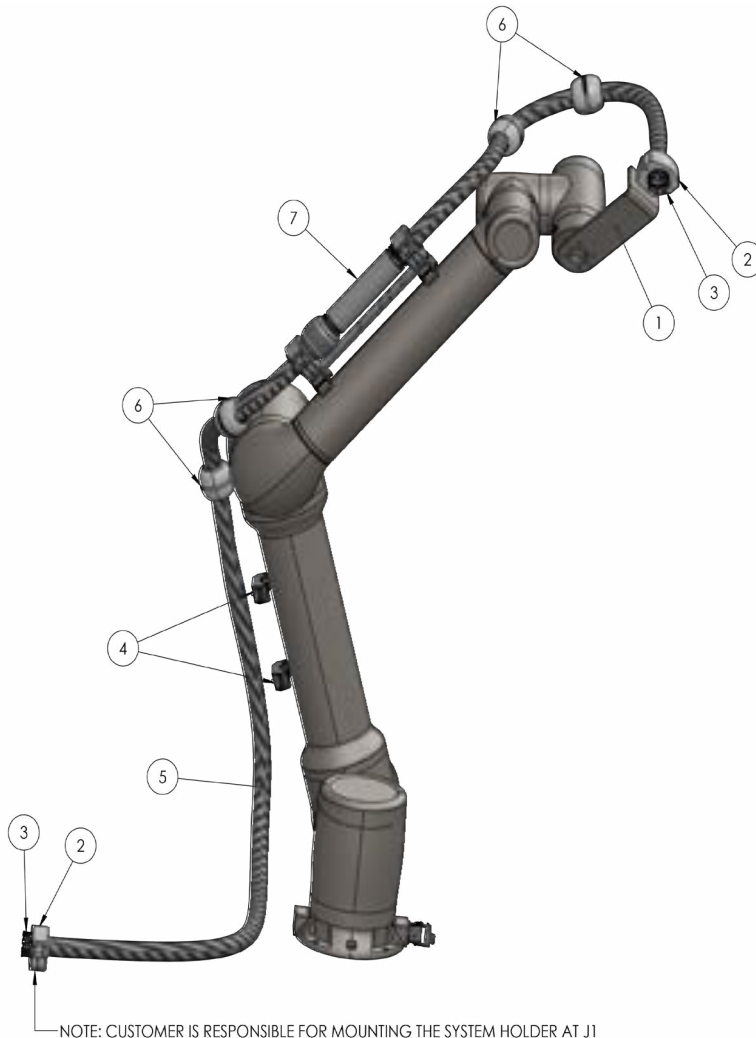
POS.	PART NUMBER	DESCRIPTION	QTY
1	83800695	63mm Diameter Wrist Support	1
2	83691462	SH-P/M25-M32 System Holder	2
3	83692260	KEG/ZL-M32 End Ball Joint With Strain Relief	2
4	83182060	EWX-PAE M32/P29 Black Conduit	3.5m
5	83691260	PR/SV-EWX 29 Protector	4
6	83693423	FHS-SH Bracket with 350mm Hook and Loop Strap	2
7	83691660	KMG/F-M32 Fixed Ball Joint	2
8	83693414	FHS-RS Retraction System Size 29 with Hook and Loop Strap	1

LIGHT DUTY FLEXIBLE HOLDER SYSTEM

SCHNEIDER LXMRL12S000 FHS-C RS KIT, SIZE 29, A1-A6

PART NUMBER NO.: 83801181

Drawing for illustration purposes only.



NOTE: CUSTOMER IS RESPONSIBLE FOR MOUNTING THE SYSTEM HOLDER AT J1

ORDER NO.

83801181



Note: Hook and loop straps not shown
Item 1 is not shown individually

POS.	PART NUMBER	DESCRIPTION	QTY
1	83800695	63mm Diameter Wrist Support	1
2	83691462	SH-P/M25-M32 System Holder	2
3	83692260	KEG/ZL-M32 End Ball Joint With Strain Relief	2
6	83693443	FHS-C Bracket with 350mm Hook and Loop Strap	2
4	83182060	EWX-PAE M32/P29 Black Conduit	3.5m
5	83691260	PR/SV-EWX 29 Protector	4
7	83693414	FHS-RS Retraction System Size 29 with Hook and Loop Strap	1

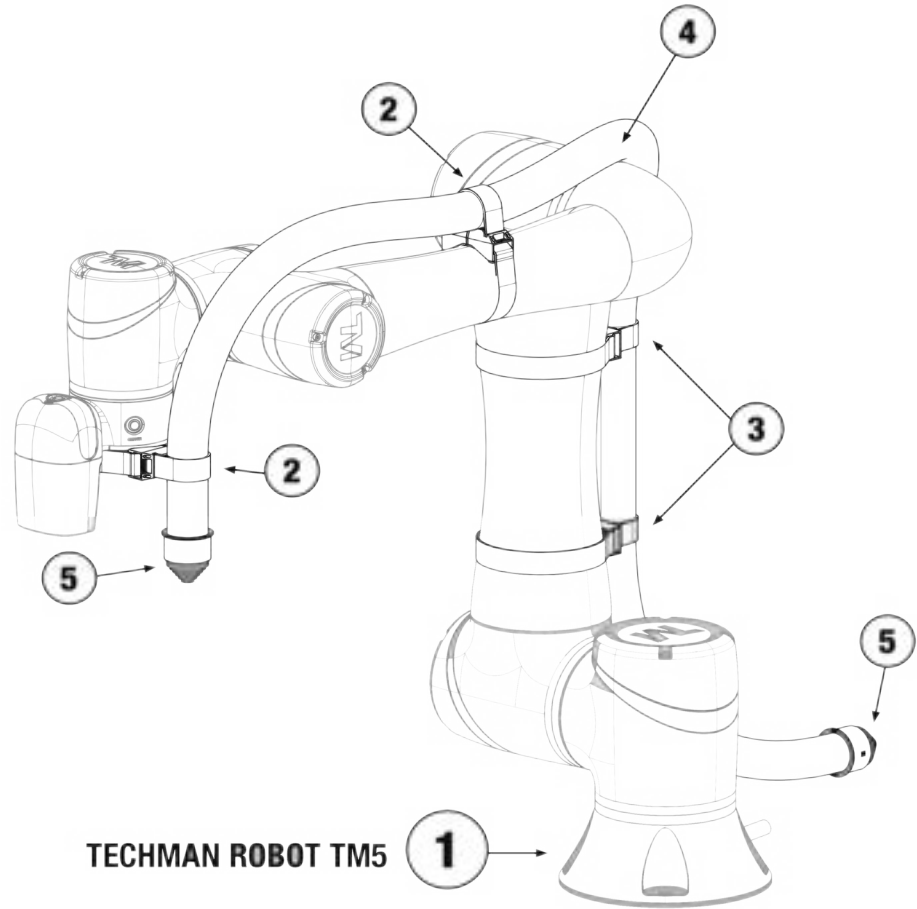
LIGHT DUTY FLEXIBLE HOLDER SYSTEM

TECHMAN TM5 FHS-C-LS KIT, SIZE 29, A1-A6

PART NUMBER NO.: 83693500

TM TECHMAN ROBOT

Drawing for illustration purposes only.



ORDER NO.

83693500



TECHMAN ROBOT TM5

POS.	PART NUMBER	DESCRIPTION	QTY
1		Techman Robot TM5	
2	83693445	FHS-C Bracket with 450mm Hook and Loop Strap	2
3	83693447	FHS-C Bracket with 550mm Hook and Loop Strap	2
4	83203060	EWX-PP-LS M32/P29 Slit Black Conduit	2m
5	83723460	ET 29 End Grommet	2

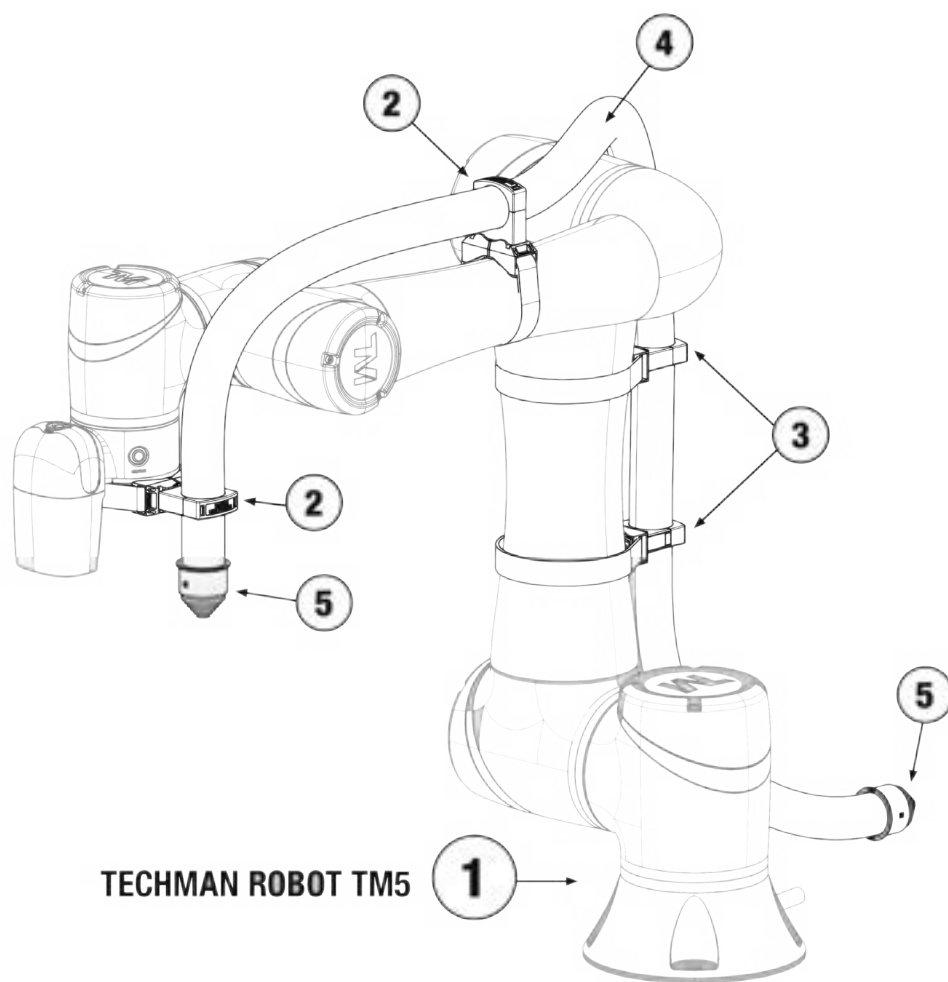
LIGHT DUTY FLEXIBLE HOLDER SYSTEM

TECHMAN TM5 FHS-UHE-LS KIT, SIZE 29, A1-A6

PART NUMBER NO.: 83693502

TM TECHMAN ROBOT

Drawing for illustration purposes only.



TECHMAN ROBOT TM5

ORDER NO.

83693502



POS.	PART NUMBER	DESCRIPTION	QTY
1		Techman Robot TM5	
2	83693466	FHS-UHE Bracket with 350mm Holder and Loop Strap	2
3	83693467	FHS-UHE Bracket with 450mm Holder and Loop Strap	2
4	83203060	EWX-PP-LS M32/P29 Slit Black Conduit	2m
5	83723460	ET 29 End Grommet	2

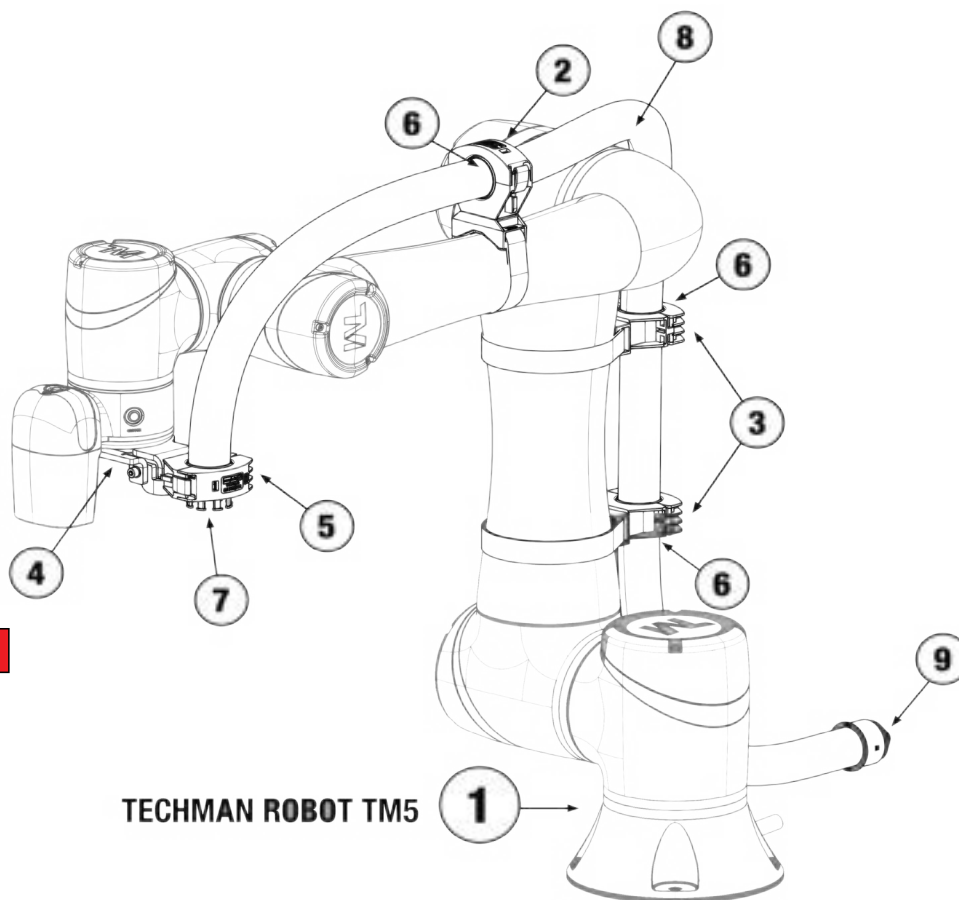
LIGHT DUTY FLEXIBLE HOLDER SYSTEM

TECHMAN TM5 FHS-SH-LS KIT, SIZE 29, A1-A6

PART NUMBER NO.: 83693504

TM TECHMAN ROBOT

Drawing for illustration purposes only.



ORDER NO.

83693504



TECHMAN ROBOT TM5

POS.	PART NUMBER	DESCRIPTION	QTY
1		Techman Robot TM5	
2	83693423	FHS-SH Bracket with 350mm Hook and Loop Strap	1
3	83693425	FHS-SH Bracket with 450mm Hook and Loop Strap	2
4	83693206	R-SSR D63 Tension Clamp	1
5	83691462	SH-P/M25-M32 System Holder	1
6	83691660	KMG/F-M32 Fixed Ball Joint	3
7	83692260	KEG/ZL-M32 End Ball Joint With Strain Relief	1
8	83203060	EWX-PP-LS M32/P29 Slit Black Conduit	2m
9	83723460	ET 29 End Grommet	1

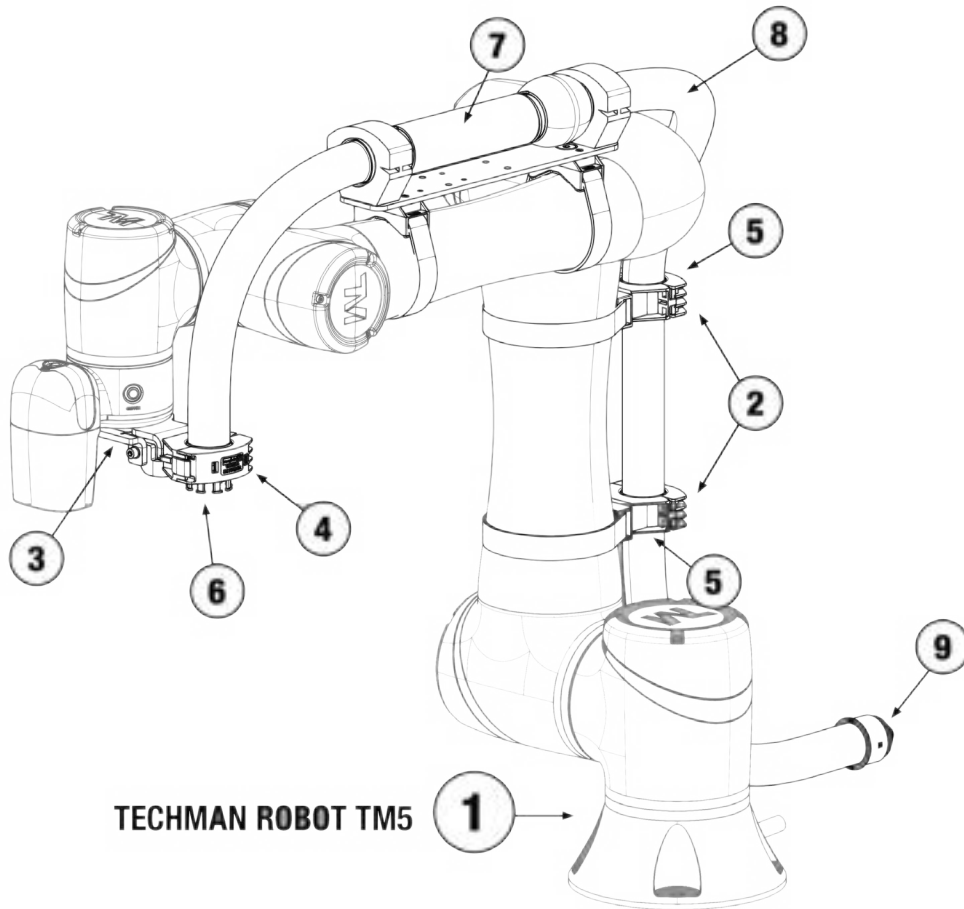
LIGHT DUTY FLEXIBLE HOLDER SYSTEM

TECHMAN TM5 FHS-SH-LS RS KIT, SIZE 29, A1-A6

PART NUMBER NO.: 83693506

TM TECHMAN ROBOT

Drawing for illustration purposes only.



TECHMAN ROBOT TM5

ORDER NO.

83693506



POS.	PART NUMBER	DESCRIPTION	QTY
1		Techman Robot TM5	
2	83693425	FHS-SH Bracket with 450mm Hook and Loop Strap	2
3	83693206	R-SSR D63 Tension Clamp	1
4	83691462	SH-P/M25-M32 System Holder	1
5	83691660	KMG/F-M32 Fixed Ball Joint	2
6	83692260	KEG/ZL-M32 End Ball Joint With Strain Relief	1
7	83693414	FHS-RS Retraction System Size 29 with Hook and Loop Strap	1
8	83203060	EWX-PP-LS M32/P29 Slit Black Conduit	2m
9	83723460	ET 29 End Grommet	1

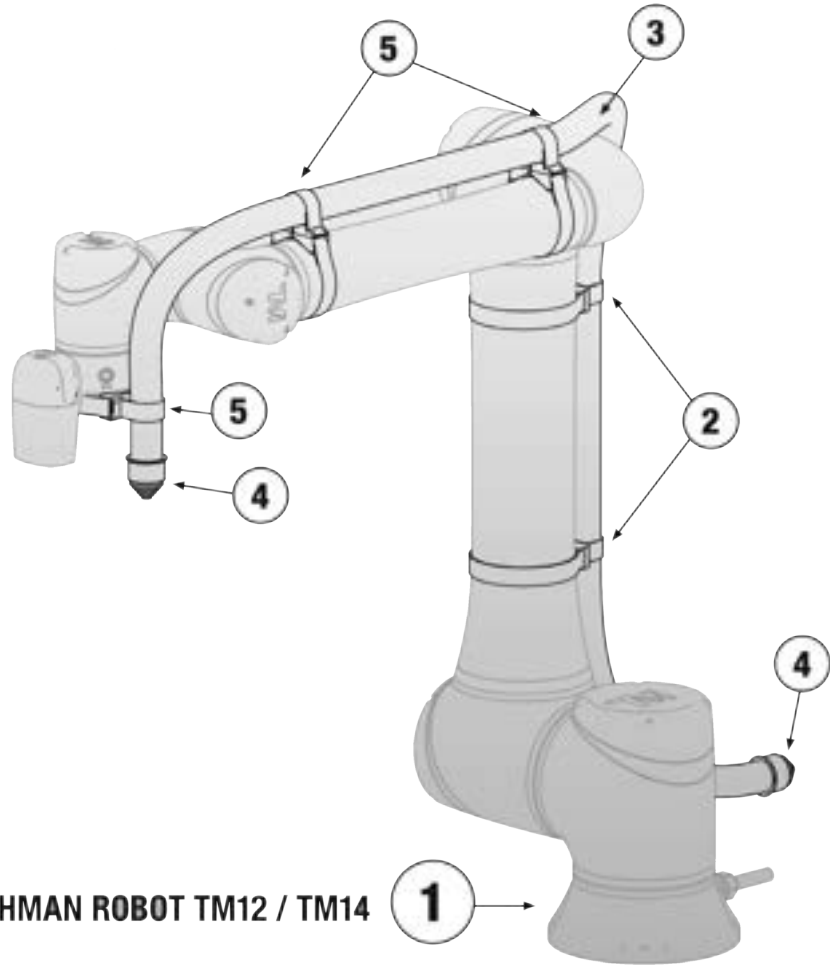
LIGHT DUTY FLEXIBLE HOLDER SYSTEM

TECHMAN TM12/TM14 FHS-C-LS KIT, SIZE 29, A1-A6

PART NUMBER NO.: 83693501

TM TECHMAN ROBOT

Drawing for illustration purposes only.



ORDER NO.

83693501



TECHMAN ROBOT TM12 / TM14

POS.	PART NUMBER	DESCRIPTION	QTY
1		Techman Robot TM12 / TM14	
2	83693447	FHS-C Bracket with 550mm Hook and Loop Strap	2
3	83203060	EWX-PP-LS M32/P29 Slit Black Conduit	3.5m
4	83723460	ET 29 End Grommet	2
5	83693445	FHS-C Bracket with 450mm Hook and Loop Strap	3

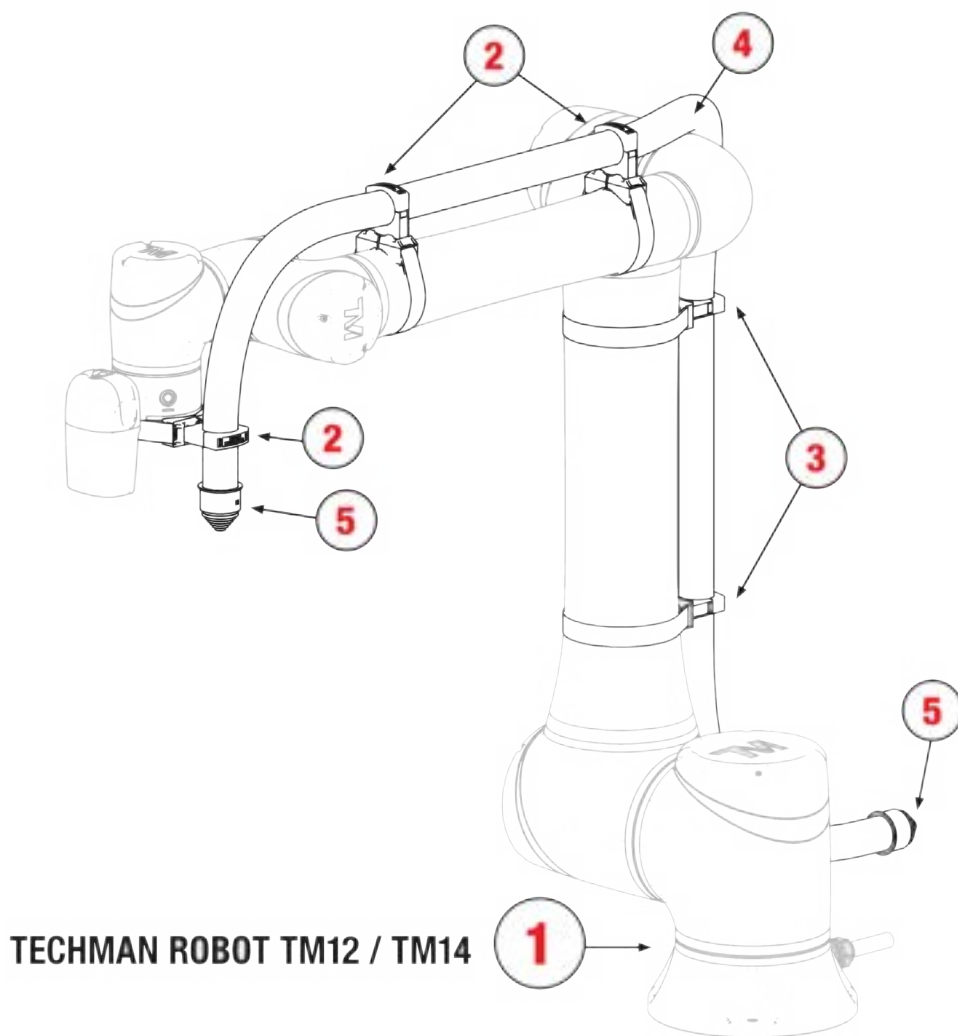
LIGHT DUTY FLEXIBLE HOLDER SYSTEM

TECHMAN TM12/TM14 FHS-UHE-LS KIT, SIZE 29, A1-A6

PART NUMBER NO.: 83693503

TM TECHMAN ROBOT

Drawing for illustration purposes only.



TECHMAN ROBOT TM12 / TM14

ORDER NO.

83693503



POS.	PART NUMBER	DESCRIPTION	QTY
1		Techman Robot TM12/TM14	
2	83693466	FHS-UHE Bracket with 350mm Holder and Loop Strap	2
3	83693467	FHS-UHE Bracket with 450mm Holder and Loop Strap	2
4	83203060	EWX-PP-LS M32/P29 Slit Black Conduit	2m
5	83723460	ET 29 End Grommet	2

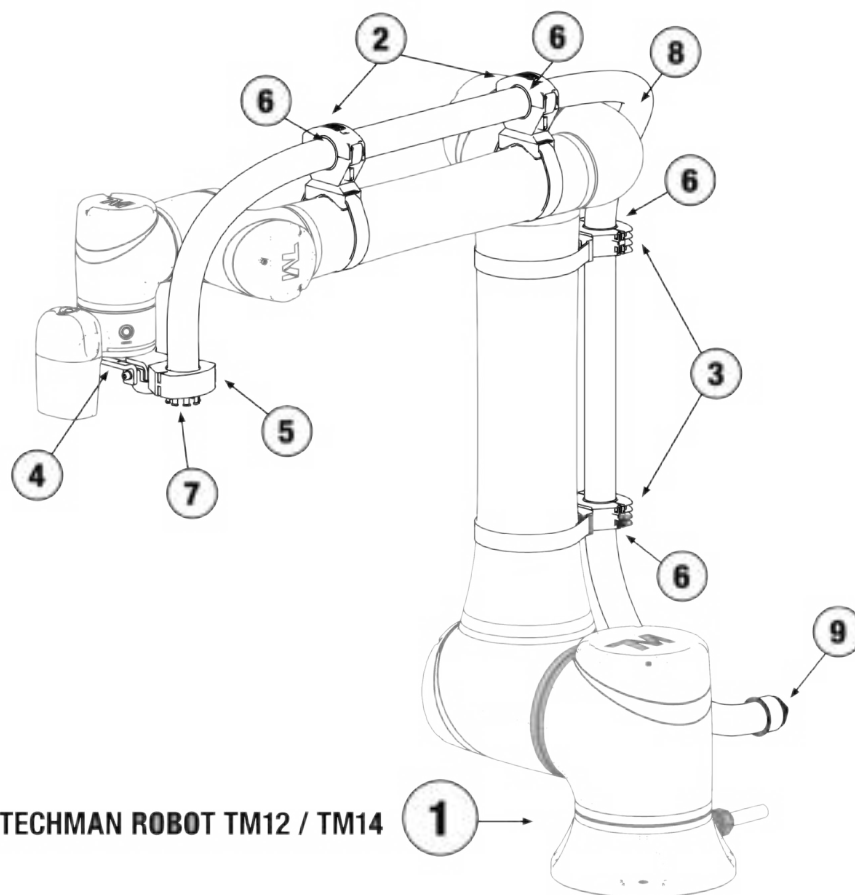
LIGHT DUTY FLEXIBLE HOLDER SYSTEM

TECHMAN TM12/TM14 FHS-SH-LS KIT, SIZE 29, A1-A6

PART NUMBER NO.: 83693505

TM TECHMAN ROBOT

Drawing for illustration purposes only.



ORDER NO.

83693505



POS.	PART NUMBER	DESCRIPTION	QTY
1		Techman Robot TM12/TM14	
2	83693423	FHS-SH Bracket with 350mm Hook and Loop Strap	2
3	83693425	FHS-SH Bracket with 450mm Hook and Loop Strap	2
4	83693206	R-SSR D63 Tension Clamp	1
5	83691462	SH-P/M25-M32 System Holder	1
6	83691660	KMG/F-M32 Fixed Ball Joint	4
7	83692260	KEG/ZL-M32 End Ball Joint With Strain Relief	1
8	83203060	EWX-PP-LS M32/P29 Slit Black Conduit	3.5m
9	83723460	ET 29 End Grommet	1

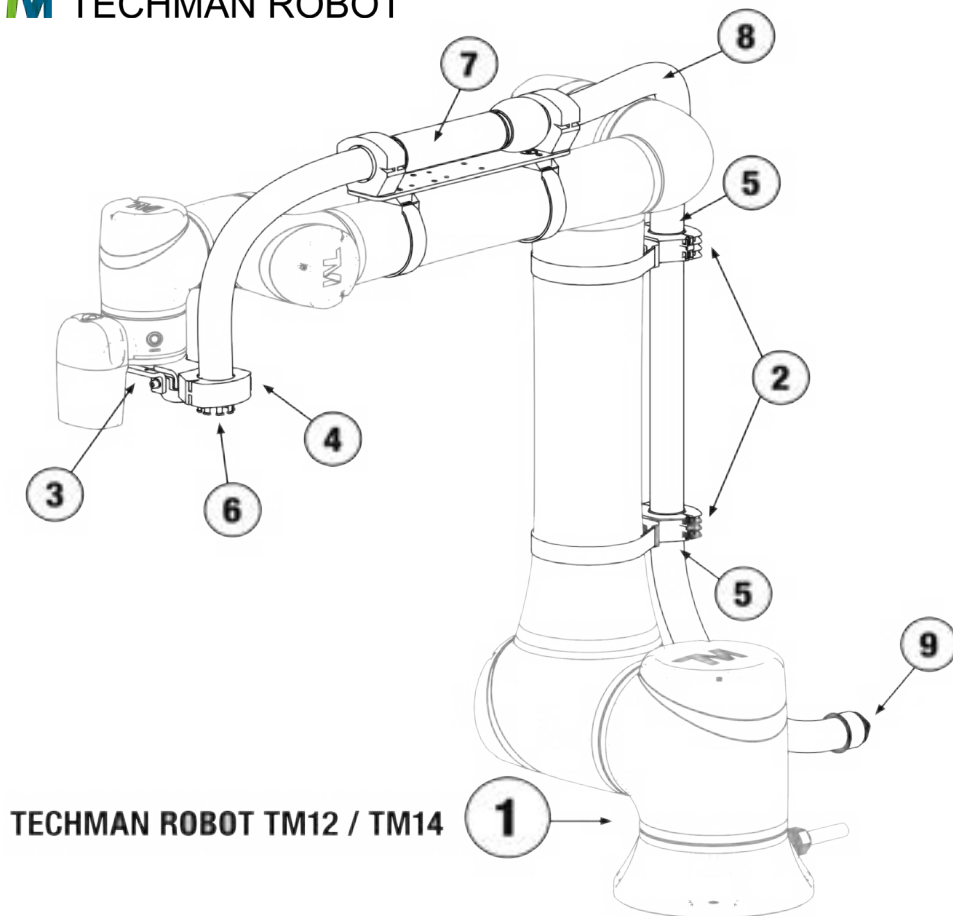
LIGHT DUTY FLEXIBLE HOLDER SYSTEM

TECHMAN TM12/TM14 FHS-SH-LS RS KIT, SIZE 29, A1-A6

PART NUMBER NO.: 83693507

TM TECHMAN ROBOT

Drawing for illustration purposes only.



TECHMAN ROBOT TM12 / TM14

ORDER NO.

83693507



POS.	PART NUMBER	DESCRIPTION	QTY
1		Techman Robot TM12/TM14	
2	83693425	FHS-SH Bracket with 450mm Hook and Loop Strap	2
3	83693206	R-SSR D63 Tension Clamp	1
4	83691462	SH-P/M25-M32 System Holder	1
5	83691660	KMG/F-M32 Fixed Ball Joint	2
6	83692260	KEG/ZL-M32 End Ball Joint With Strain Relief	1
7	83693414	FHS-RS Retraction System Size 29 with Hook and Loop Strap	1
8	83203060	EWX-PP-LS M32/P29 Slit Black Conduit	3.5m
9	83723460	ET 29 End Grommet	1

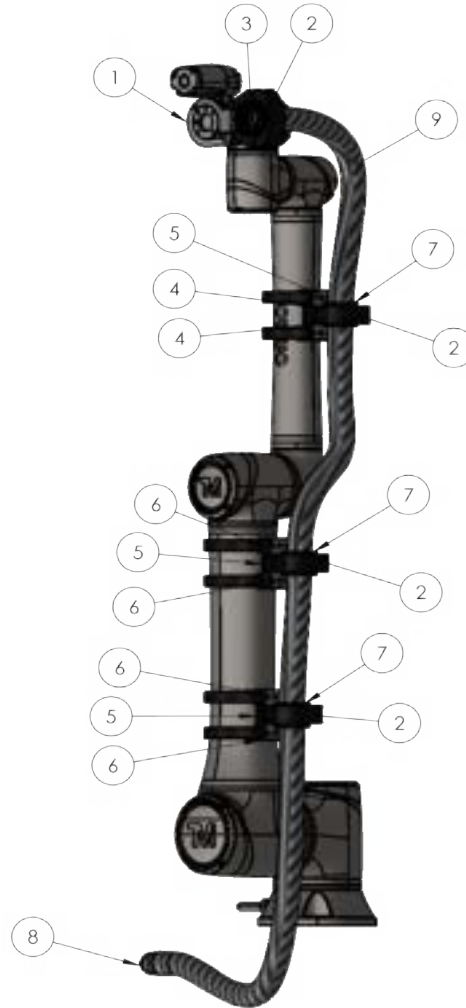
LIGHT DUTY FLEXIBLE HOLDER SYSTEM

TECHMAN TM12/TM14 FHS-C RS KIT, SIZE 36, A1-A6

PART NUMBER NO.: 83801055

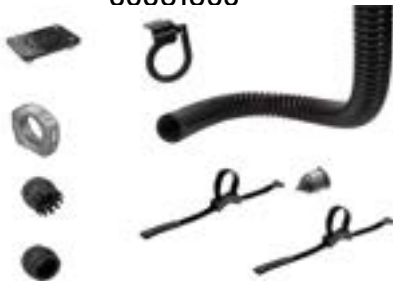
TM TECHMAN ROBOT

Drawing for illustration purposes only.



ORDER NO.

83801055



POS.	PART NUMBER	DESCRIPTION	QTY
1	83693206	R-SSR D63 Tension Clamp	1
2	83691460	SH-P/M40-M50 System Holder	4
3	83692262	KEG/ZL-M40 End Ball Joint With Strain Relief	1
4	83693443	FHS-C Bracket with 350mm Hook and Loop Strap	2
5	83697146	R-MP-S FHS-SH	3
6	83693445	FHS-C Bracket with 450mm Hook and Loop Strap	4
7	83691662	KMG/F-M40 Fixed Ball Joint	3
8	83723422	ET 36 end grommet	1
9	83182062	EWX-PAE M40/P36 Black Conduit	3.5m

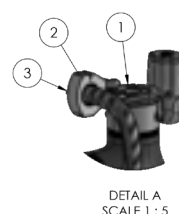
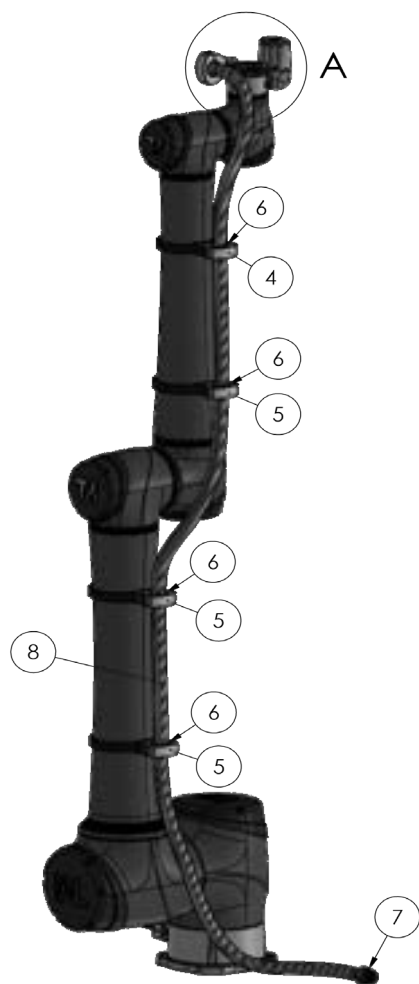
MEDIUM DUTY FLEXIBLE HOLDER SYSTEM

TECHMAN TM25S FHS-SH-LS KIT, SIZE 29, A1-A6

PART NUMBER NO.: 83801293

TM TECHMAN ROBOT

Drawing for illustration purposes only.



ORDER NO.

83801293



POS.	PART NUMBER	DESCRIPTION	QTY
1	83693206	R-SSR D63 Tension Clamp	1
2	83691462	SH-P/M25-M32 System Holder	1
3	83692260	KEG/ZL-M32 End Ball Joint With Strain Relief	1
4	83693425	FHS-SH Bracket with 450mm Hook and Loop Strap	1
5	83693427	FHS-SH Bracket with 550mm Hook and Loop Strap	3
6	83691660	KMG/F-M32 Fixed Ball Joint	4
7	83723460	ET 29 End Grommet	1
8	83182260	EWX-PAE-LS M32/P29 Slit Black Conduit	3.5m

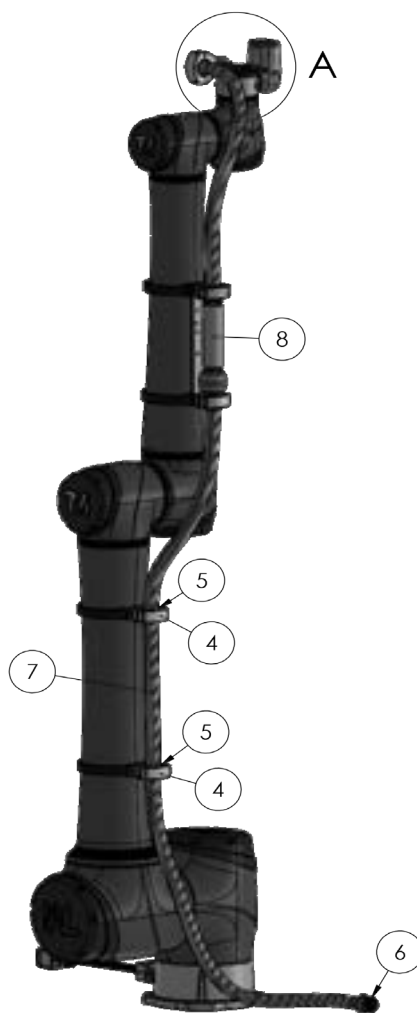
MEDIUM DUTY FLEXIBLE HOLDER SYSTEM

TECHMAN TM25S FHS-SH-LS RS KIT, SIZE 29, A1-A6

PART NUMBER NO.: 83801294

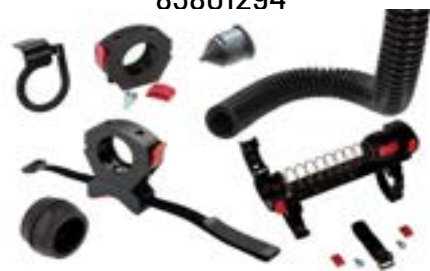
TM TECHMAN ROBOT

Drawing for illustration purposes only.



ORDER NO.

83801294



POS.	PART NUMBER	DESCRIPTION	QTY
1	83693206	R-SSR D63 Tension Clamp	1
2	83691462	SH-P/M25-M32 System Holder	1
3	83692260	KEG/ZL-M32 End Ball Joint With Strain Relief	1
4	83693427	FHS-SH Bracket with 550mm Hook and Loop Strap	4
5	83691660	KMG/F-M32 Fixed Ball Joint	2
6	83723460	ET 29 End Grommet	1
7	83182260	EWX-PAE-LS M32/P29 Slit Black Conduit	3.5m
8	83693414	FHS-RS Retraction System Size 29 with Hook and Loop Strap	1

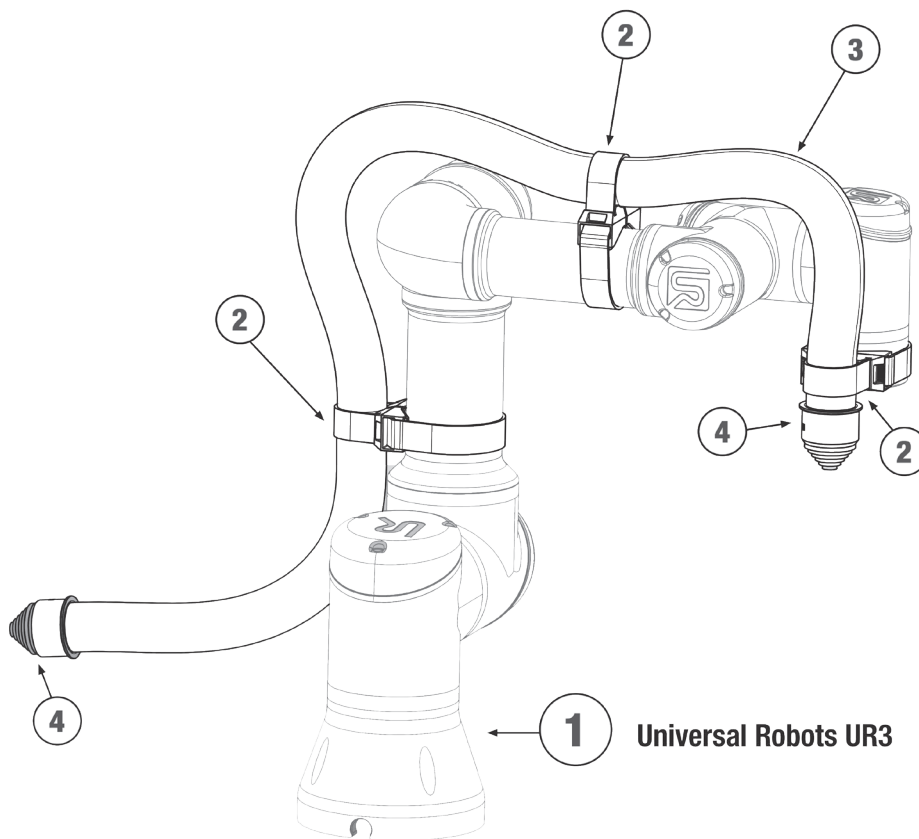
LIGHT DUTY FLEXIBLE HOLDER SYSTEM

UNIVERSAL ROBOTS UR3 FHS-C-LS KIT, SIZE 21, A1-A6

PART NUMBER NO.: 83693480



Drawing for illustration purposes only.



ORDER NO.

83693480



POS.	PART NUMBER	DESCRIPTION	QTY
1		Universal Robots UR3	
2	83693443	FHS-C Bracket with 350mm Hook and Loop Strap	3
3	83203058	EWX-PP-LS M25/P21 Conduit	2m
4	83723458	ET 21 end grommet	2

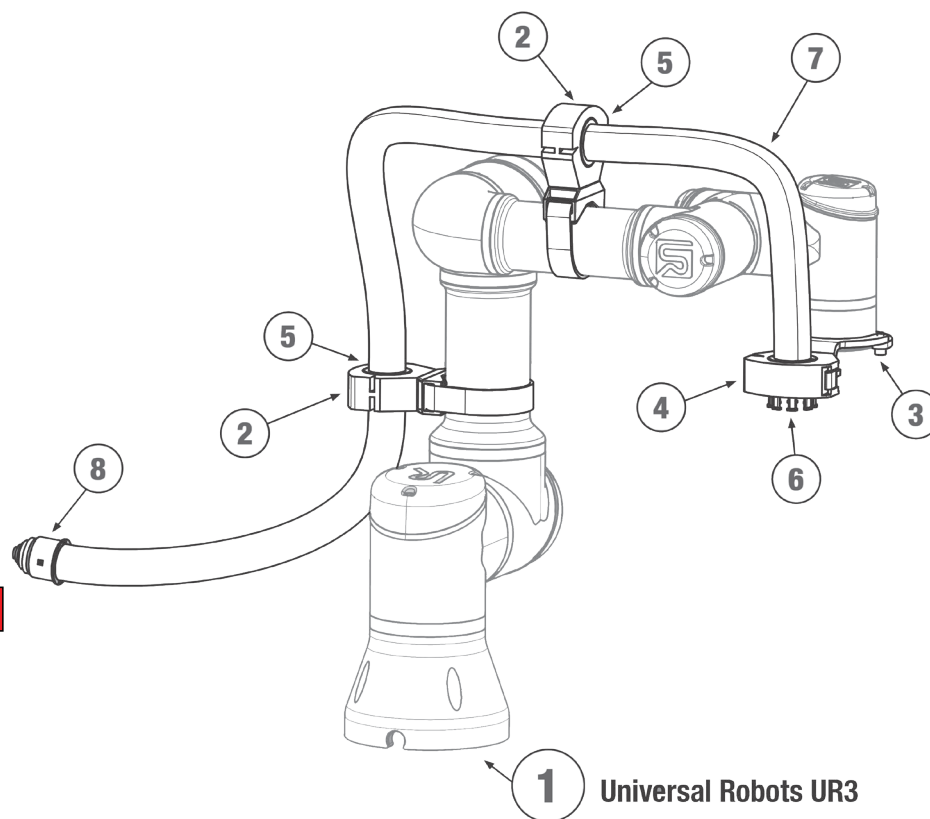
MEDIUM DUTY FLEXIBLE HOLDER SYSTEM

UNIVERSAL ROBOTS UR3 FHS-SH-LS KIT, SIZE 21, A1-A6

PART NUMBER NO.: 83693491



Drawing for illustration purposes only.



ORDER NO.

83693491



POS.	PART NUMBER	DESCRIPTION	QTY
1		Universal Robots UR3	
2	83693423	FHS-SH Bracket with 350mm Hook and Loop Strap	2
3	83693201	R-SSR D63 Tension Clamp UR3	1
4	83691462	SH-P/M25-M32 System Holder	1
5	83691658	KMG/F-M25 Fixed Ball Joint	2
6	83692258	KEG/ZL-M25 End Ball Joint with Strain Relief	1
7	83203058	EWX-PP-LS M25/P21 Slit BlackConduit	2m
8	83723458	ET 21 End Grommet	1

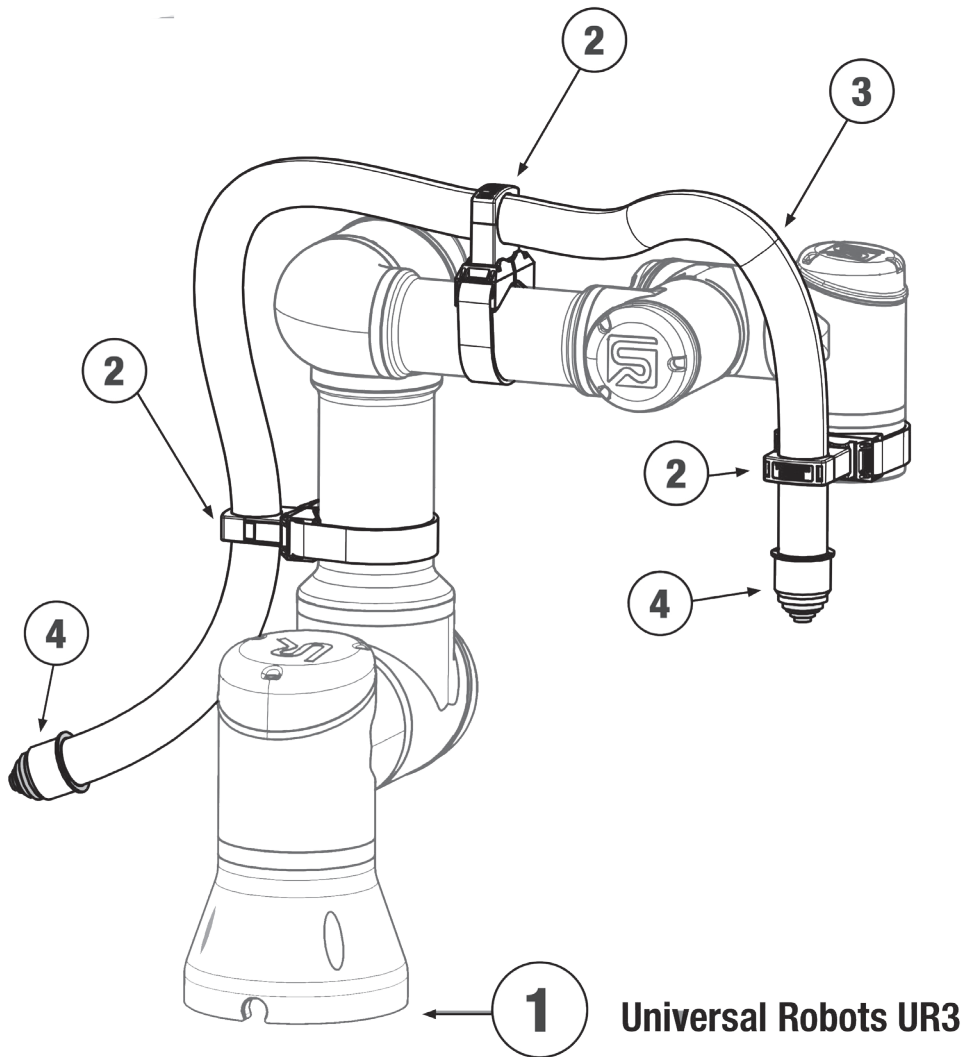
MEDIUM DUTY FLEXIBLE HOLDER SYSTEM

UNIVERSAL ROBOTS UR3 FHS-UHE-LS KIT, SIZE 21, A1-A6

PART NUMBER NO.: 83693494



Drawing for illustration purposes only.



ORDER NO.

83693494



POS.	PART NUMBER	DESCRIPTION	QTY
1		Universal Robots UR3	
2	83693461	FHS-UHE Bracket with 350mm Holder and Loop Strap	3
3	83203058	EWX-PP-LS M25/P21 Slit BlackConduit	2m
4	83723458	ET 21 End Grommet	2

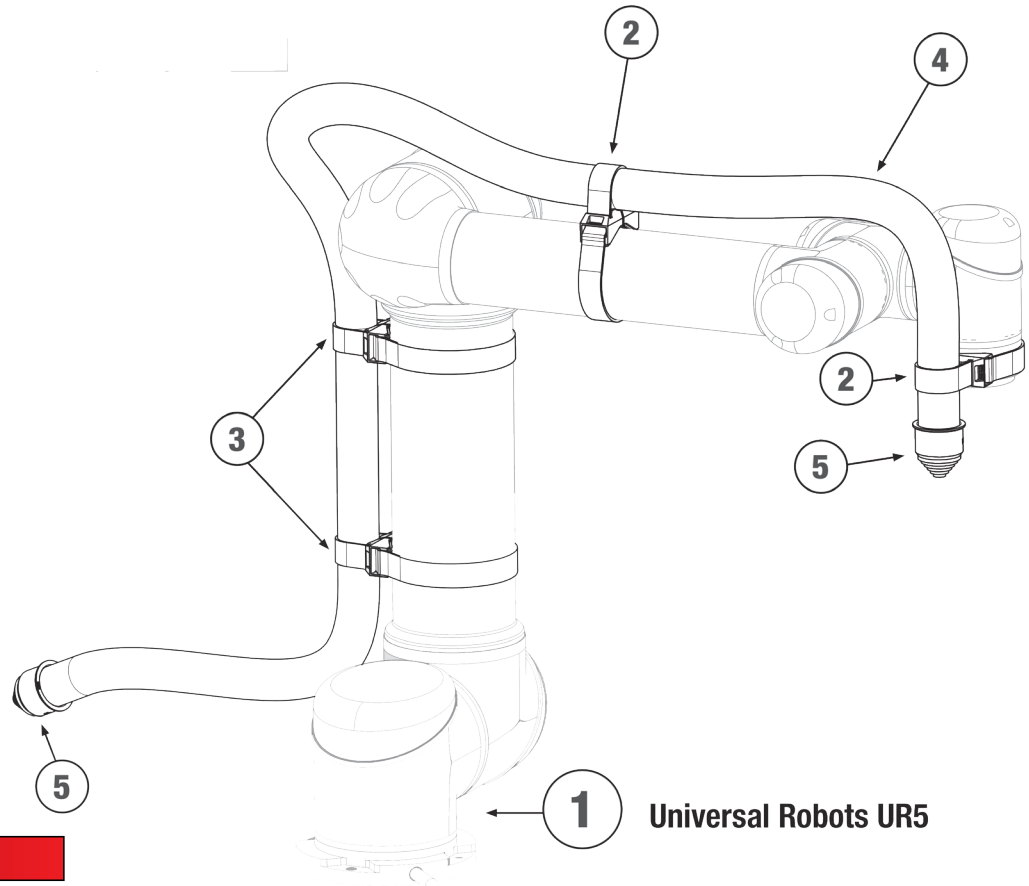
LIGHT DUTY FLEXIBLE HOLDER SYSTEM

UNIVERSAL ROBOTS UR5 FHS-C-LS KIT, SIZE 29, A1-A6

PART NUMBER NO.: 83693482



Drawing for illustration purposes only.



ORDER NO.
83693482



POS.	PART NUMBER	DESCRIPTION	QTY
1		Universal Robots UR5	
2	83693445	FHS-C Bracket with 450mm Hook and Loop Strap	2
3	83693447	FHS-C Bracket with 550mm Hook and Loop Strap	2
4	83203060	EWX-PP-LS M32/P29 Slit Black Conduit	2m
5	83723460	ET 29 End Grommet	2

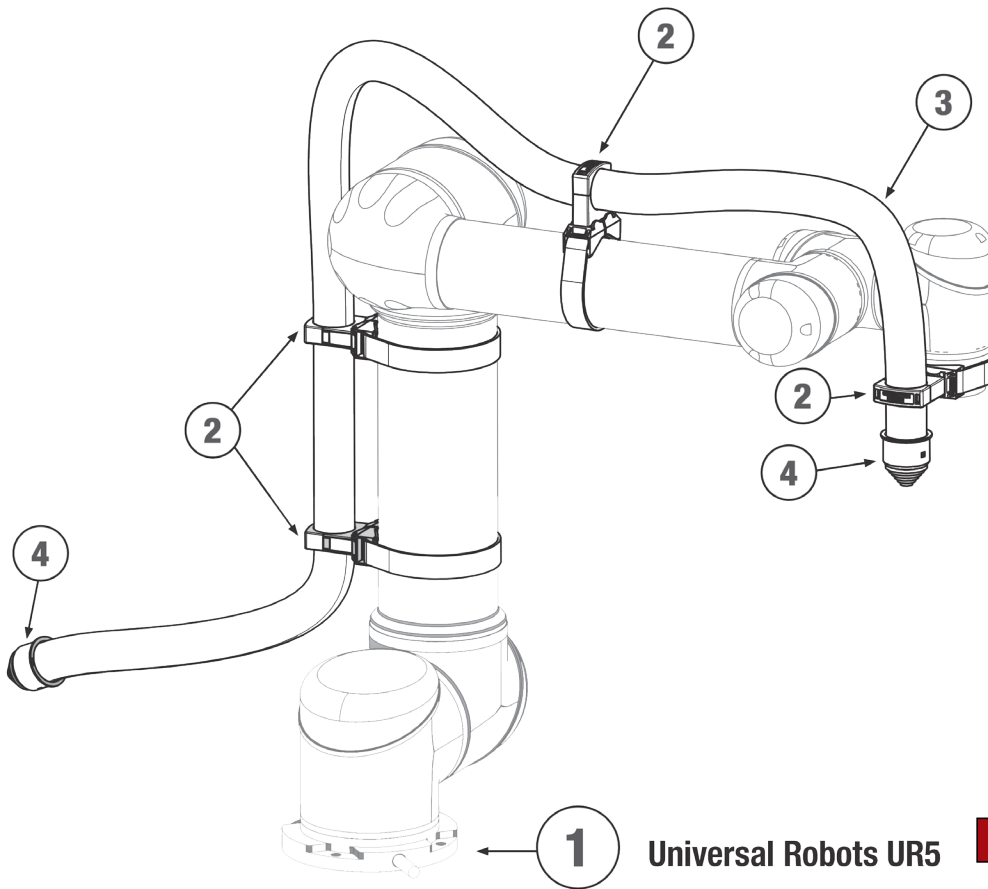
MEDIUM DUTY FLEXIBLE HOLDER SYSTEM

UNIVERSAL ROBOTS UR5 FHS-UHE-LS KIT, SIZE 29, A1-A6

PART NUMBER NO.: 83693489



Drawing for illustration purposes only.



1 Universal Robots UR5

ORDER NO.

83693489



POS.	PART NUMBER	DESCRIPTION	QTY
1		Universal Robots UR5	
2	83693466	FHS-UHE Bracket with 350mm Holder and Loop Strap	4
3	83203060	EWX-PP-LS M32/P29 Slit Black Conduit	2m
4	83723460	ET 29 End Grommet	2

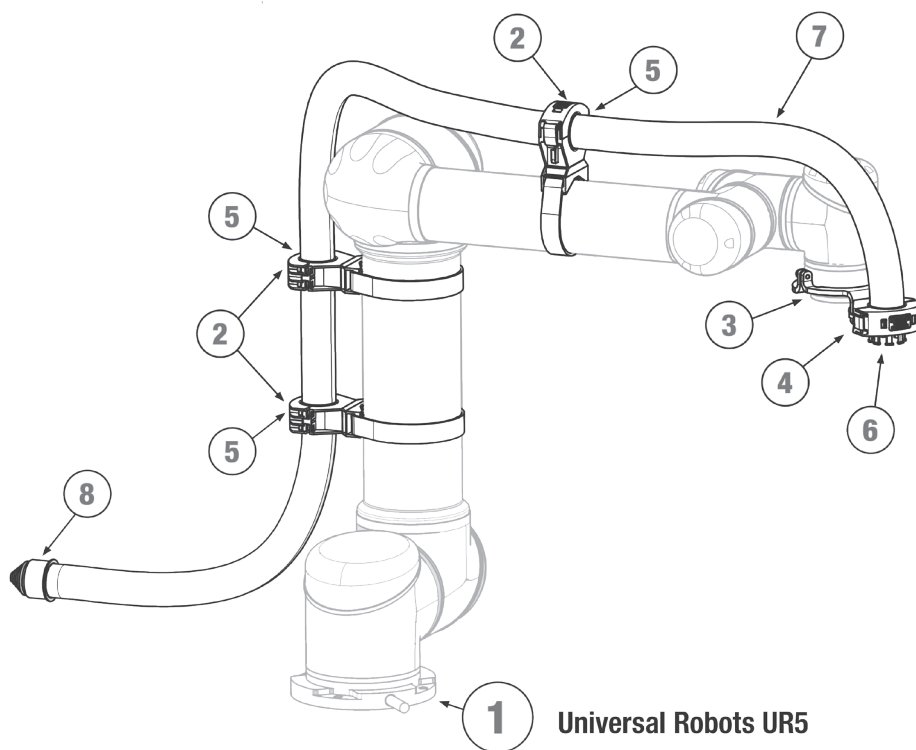
MEDIUM DUTY FLEXIBLE HOLDER SYSTEM

UNIVERSAL ROBOTS UR5 FHS-SH-LS KIT, SIZE 29, A1-A6

PART NUMBER NO.: 83693492



Drawing for illustration purposes only.



ORDER NO.

83693492



POS.	PART NUMBER	DESCRIPTION	QTY
1		Universal Robots UR5	
2	83693423	FHS-SH Bracket with 350mm Hook and Loop Strap	3
3	83693202	R-SSR D75 Tension Clamp UR5	1
4	83691462	SH-P/M25-M32 System Holder	1
5	83691660	KMG/F-M32 Fixed Ball Joint	3
6	83692260	KEG/ZL-M32 End Ball Joint With Strain Relief	1
7	83203060	EWX-PP-LS M32/P29 Slit Black Conduit	2m
8	83723460	ET 29 End Grommet	1

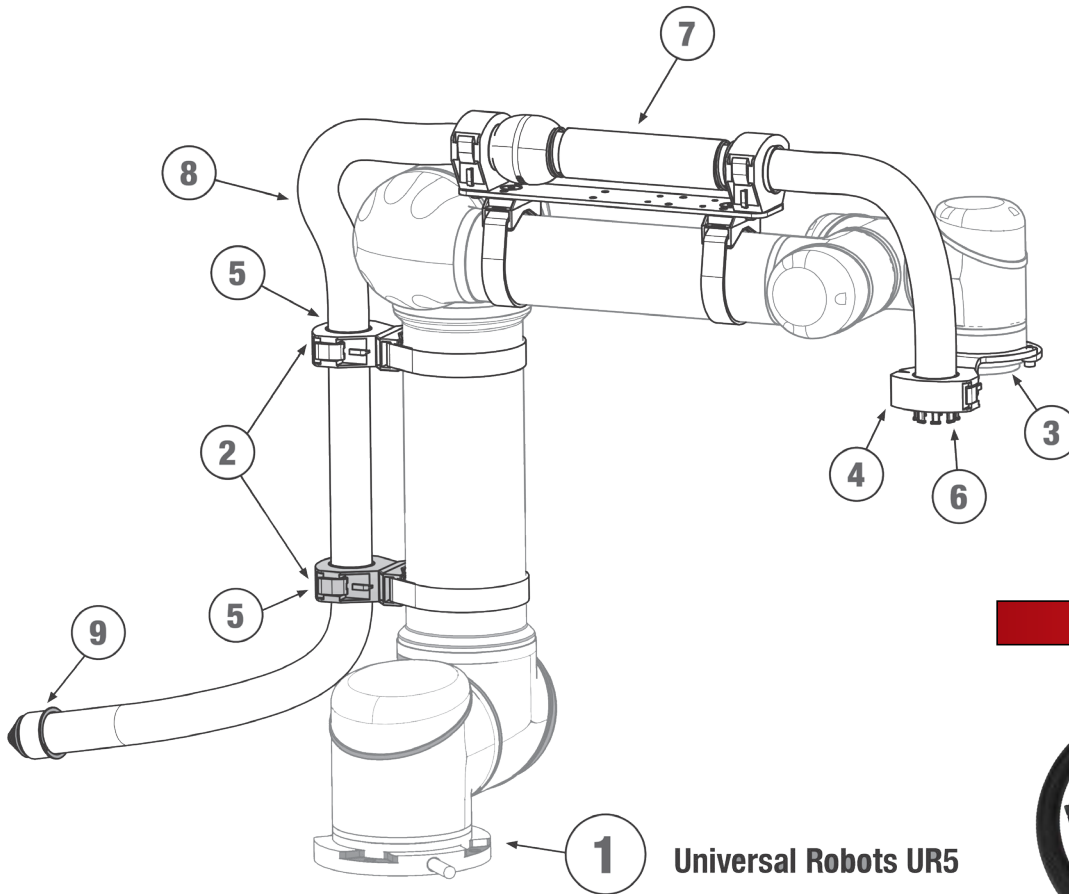
MEDIUM DUTY FLEXIBLE HOLDER SYSTEM

UNIVERSAL ROBOTS UR5 FHS-SH-LS RS KIT, SIZE 29, A1-A6

PART NUMBER NO.: 83693495



Drawing for illustration purposes only.



ORDER NO.

83693495



POS.	PART NUMBER	DESCRIPTION	QTY
1		Universal Robots UR5	
2	83693423	FHS-SH Bracket with 350mm Hook and Loop Strap	2
3	83693202	R-SSR D75 Tension Clamp UR5	1
4	83691462	SH-P/M25-M32 System Holder	1
5	83691660	KMG/F-M32 Fixed Ball Joint	2
6	83692260	KEG/ZL-M32 End Ball Joint With Strain Relief	1
7	83693414	FHS-RS Retraction System Size 29 with Hook and Loop Strap	1
8	83203060	EWX-PP-LS M32/P29 Slit Black Conduit	2m
9	83723460	ET 29 End Grommet	1

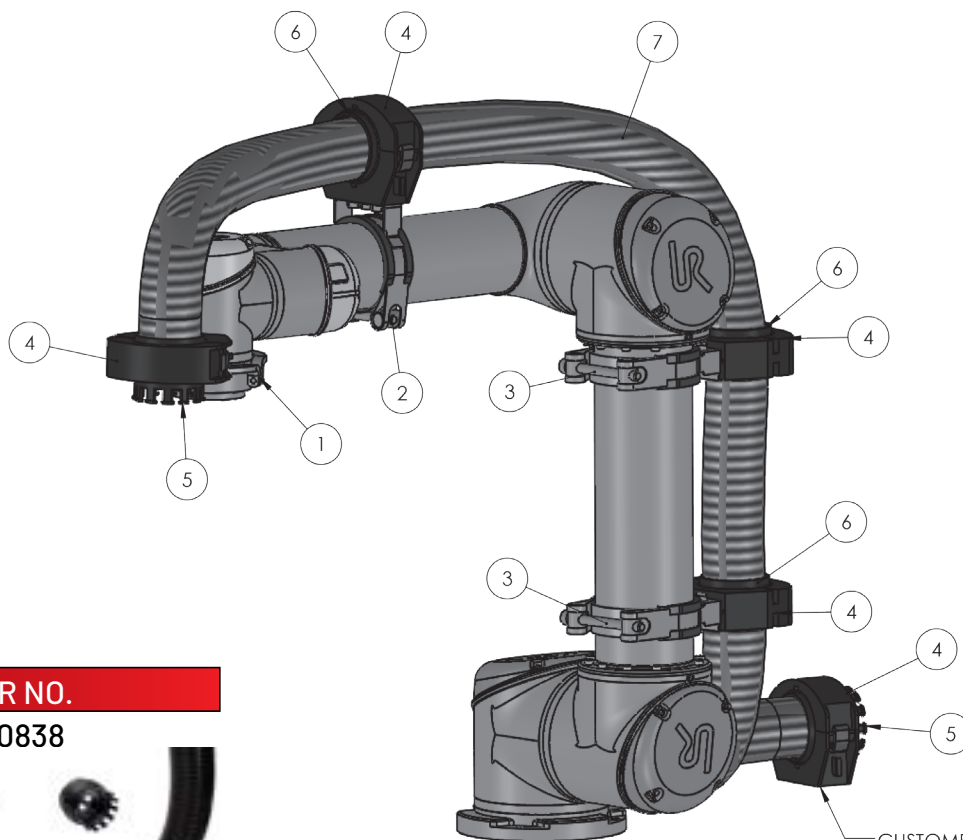
HEAVY DUTY FLEXIBLE HOLDER SYSTEM

UNIVERSAL ROBOTS UR5 FHS-SHS KIT, SIZE 48, A1-A6

PART NUMBER NO.: 83800838

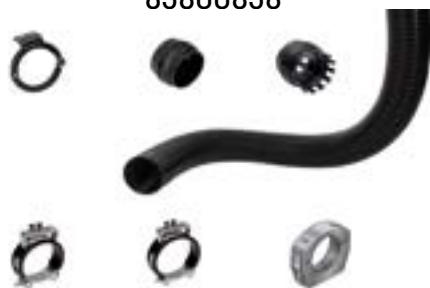


Drawing for illustration purposes only.



CUSTOMER RESPONSIBLE FOR MOUNTING SYSTEM HOLDER.

ORDER NO.
83800838



POS.	PART NUMBER	DESCRIPTION	QTY
1	83693202	R-SSR D75 Tension Clamp UR5	1
2	83693582	SHS 73-79 System holder clamp	1
3	83693584	SHS 85-91 System holder clamp	2
4	83691460	SH-P/M40-M50 System Holder	5
5	83692264	KEG/ZL-M50 End Ball Joint With Strain Relief	2
6	83691664	KMG/F-M50 Fixed Ball Joint	3
7	83181666	EW-PAE M50/P48 Black Conduit	2.5m

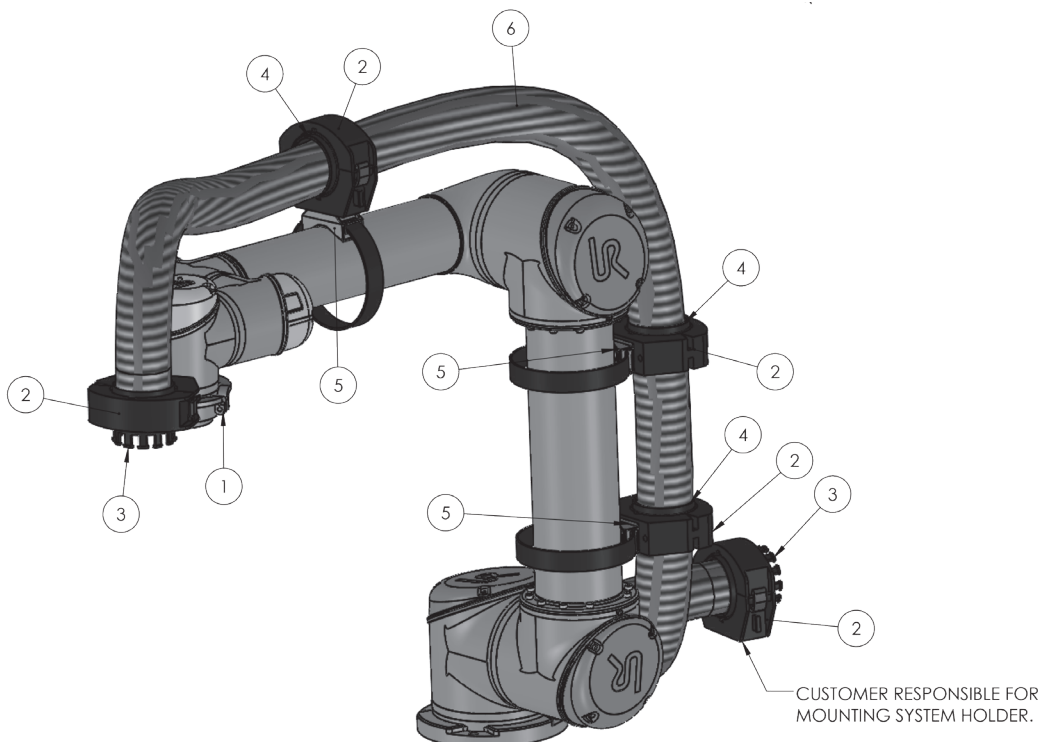
MEDIUM DUTY FLEXIBLE HOLDER SYSTEM

UNIVERSAL ROBOTS UR5 FHS-SH KIT, SIZE 48, A1-A6

PART NUMBER NO.: 83800839



Drawing for illustration purposes only.



POS.	PART NUMBER	DESCRIPTION	QTY
1	83693202	R-SSR D75 Tension Clamp UR5	1
2	83691460	SH-P/M40-M50 System Holder	5
3	83692264	KEG/ZL-M50 End Ball Joint With Strain Relief	2
4	83691664	KMG/F-M50 Fixed Ball Joint	3
5	83693422	FHS-SH Bracket with all Hook and Loop Strap Lengths	3
6	83181666	EW-PAE M50/P48 Black Conduit	2.5m

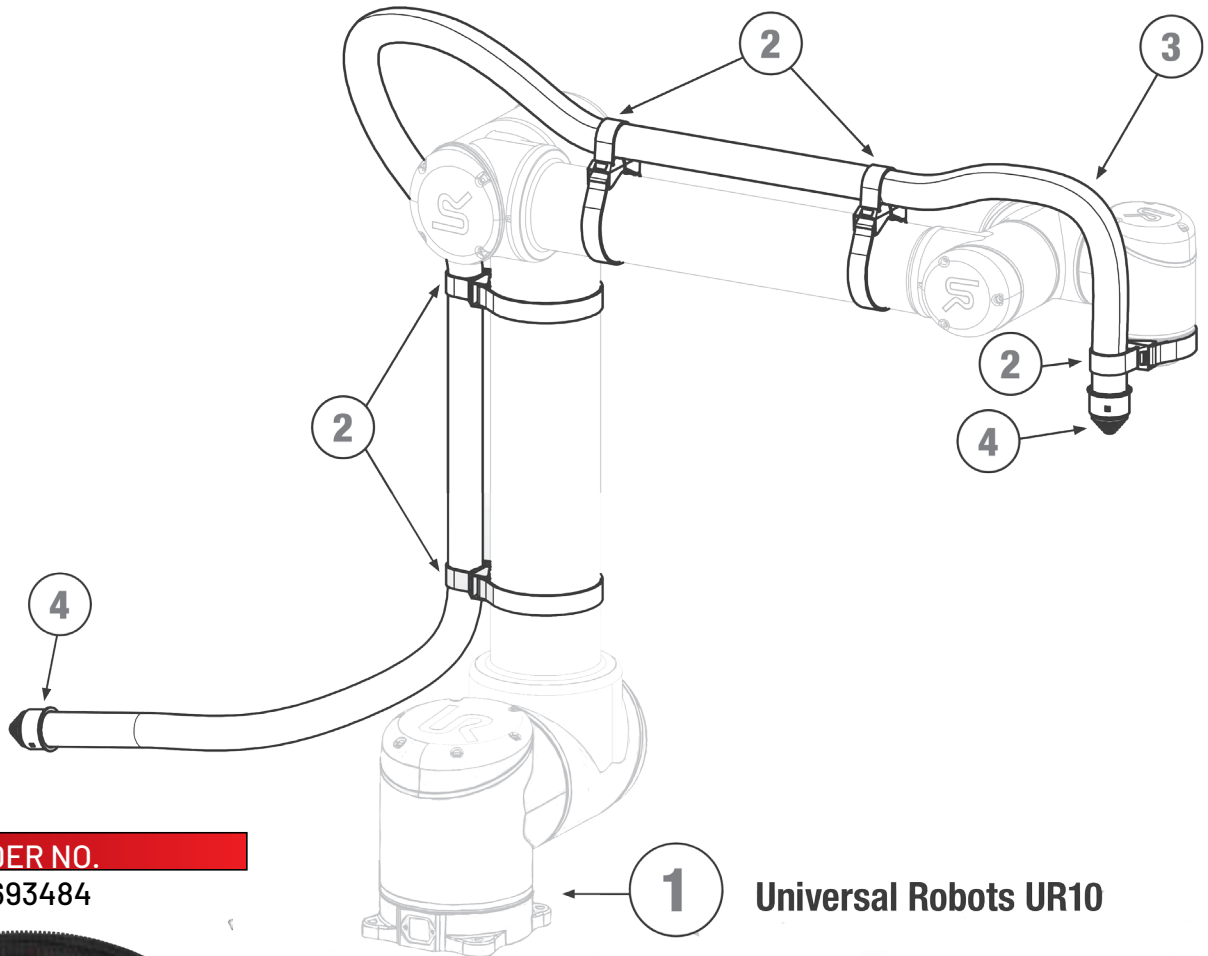
LIGHT DUTY FLEXIBLE HOLDER SYSTEM

UNIVERSAL ROBOTS UR10 FHS-C-LS KIT, SIZE 29, A1-A6

PART NUMBER NO.: 83693484



Drawing for illustration purposes only.



ORDER NO.
83693484



POS.	PART NUMBER	DESCRIPTION	QTY
1		Universal Robots UR10	
2	83693447	FHS-C Bracket with 550mm Hook and Loop Strap	5
3	83203060	EWX-PP-LS M32/P29 Slit Black Conduit	3.5m
4	83723460	ET 29 End Grommet	2

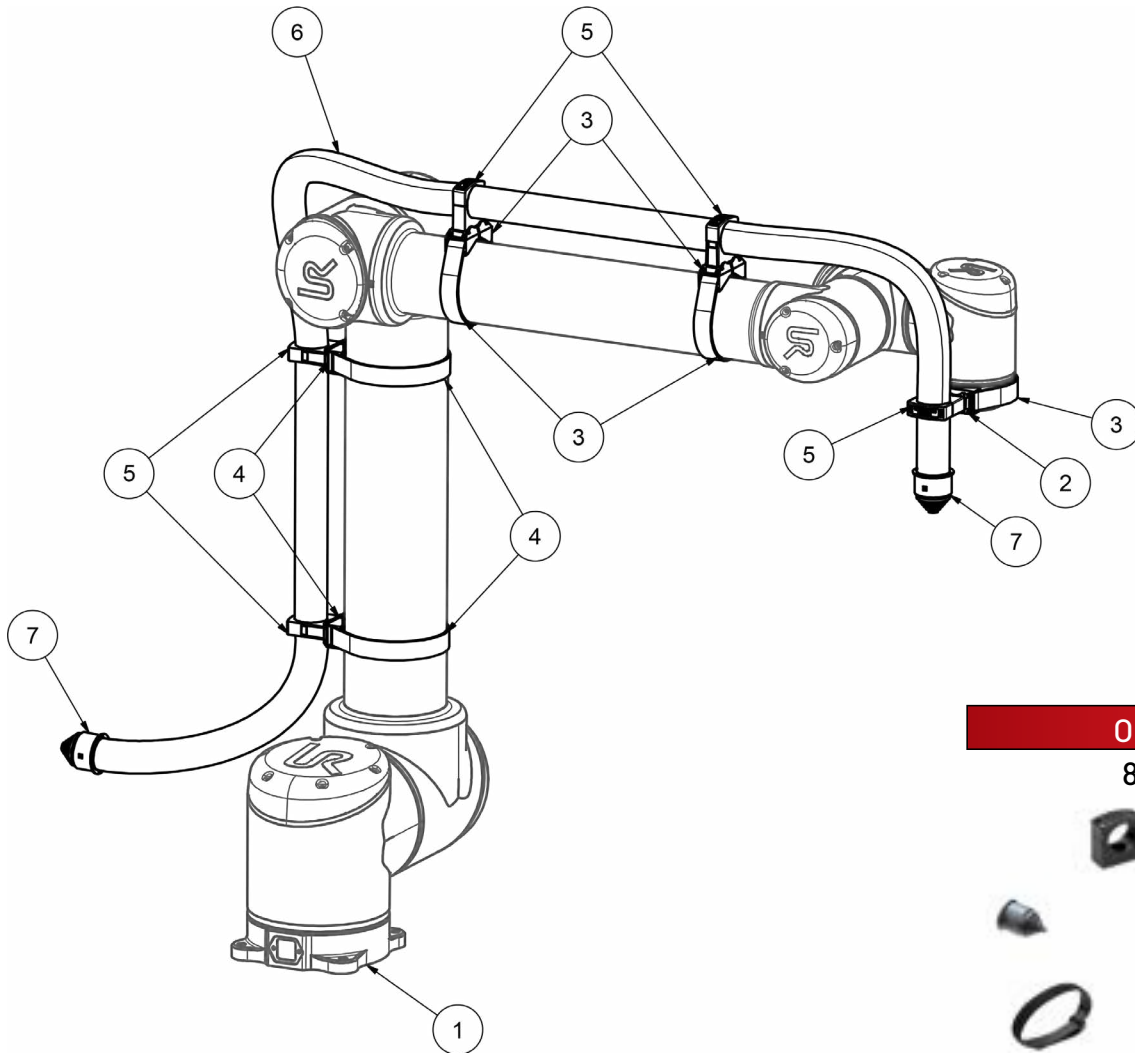
LIGHT DUTY FLEXIBLE HOLDER SYSTEM

UNIVERSAL ROBOTS UR10 FHS-UHE-LS KIT, SIZE 29, A1-A6

PART NUMBER NO.: 83693490



Drawing for illustration purposes only.



ORDER NO.

83693490



POS.	PART NUMBER	DESCRIPTION	QTY
1		Universal Robots UR10	
2	83693440	FHS-C-G System Holder Mounting Base	5
4	83693401	Hook and Loop Strap 350mm	3
5	83693403	Hook and Loop Strap 450mm	2
6	83621860	UHE P29 Conduit Holder	5
3	83203060	EWX-PP-LS M32/P29 Slit Black Conduit	3.5m
7	83723460	ET 29 End Grommet	2

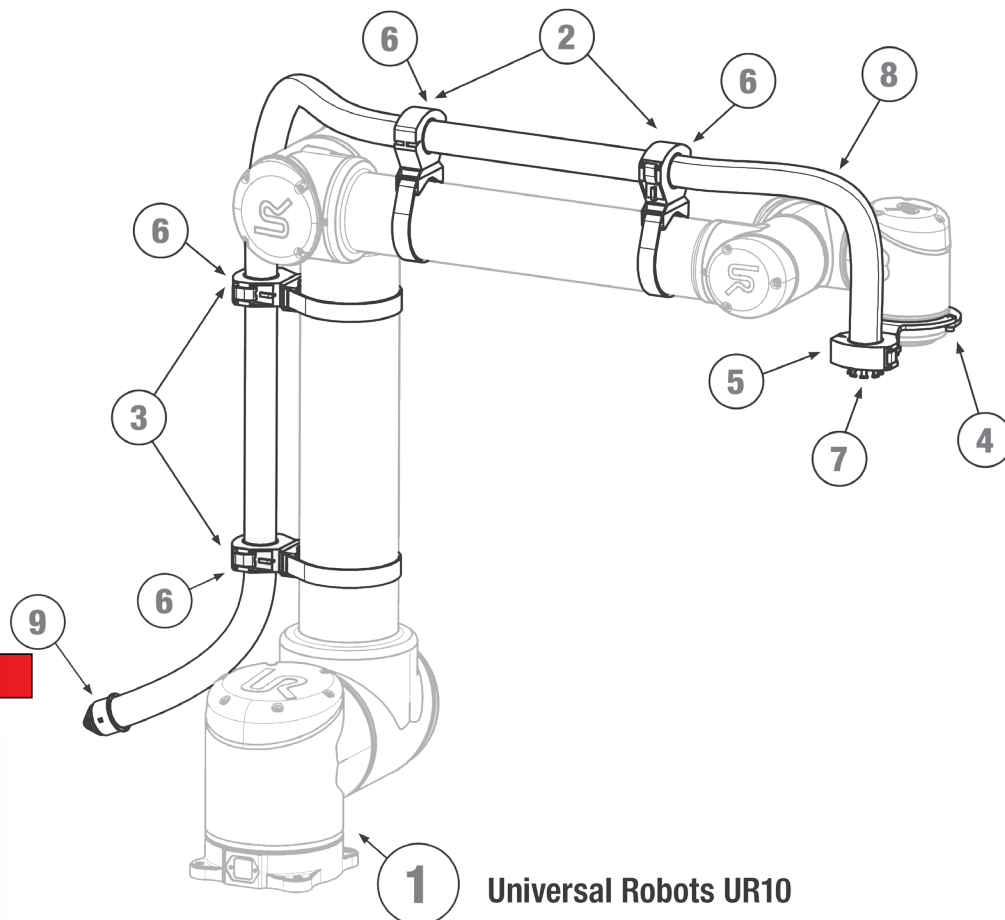
MEDIUM DUTY FLEXIBLE HOLDER SYSTEM

UNIVERSAL ROBOTS UR10 FHS-SH-LS KIT, SIZE 29, A1-A6

PART NUMBER NO.: 83693493



Drawing for illustration purposes only.



ORDER NO.
83693493



POS.	PART NUMBER	DESCRIPTION	QTY
1		Universal Robots UR10	
2	83693423	FHS-SH Bracket with 350mm Hook and Loop Strap	2
3	83693425	FHS-SH Bracket with 450mm Hook and Loop Strap	2
4	83693203	R-SSR 90 UR10	1
5	83691462	System Holder SH-P / M25-M32	1
6	83691660	KMG/F-M32 Fixed Ball Joint	4
7	83692260	KEG/ZL-M32 End Ball Joint	1
8	83203060	EWX-PP-LS M32/P29 Conduit	3.5m
9	83723460	ET 29 end grommet	1

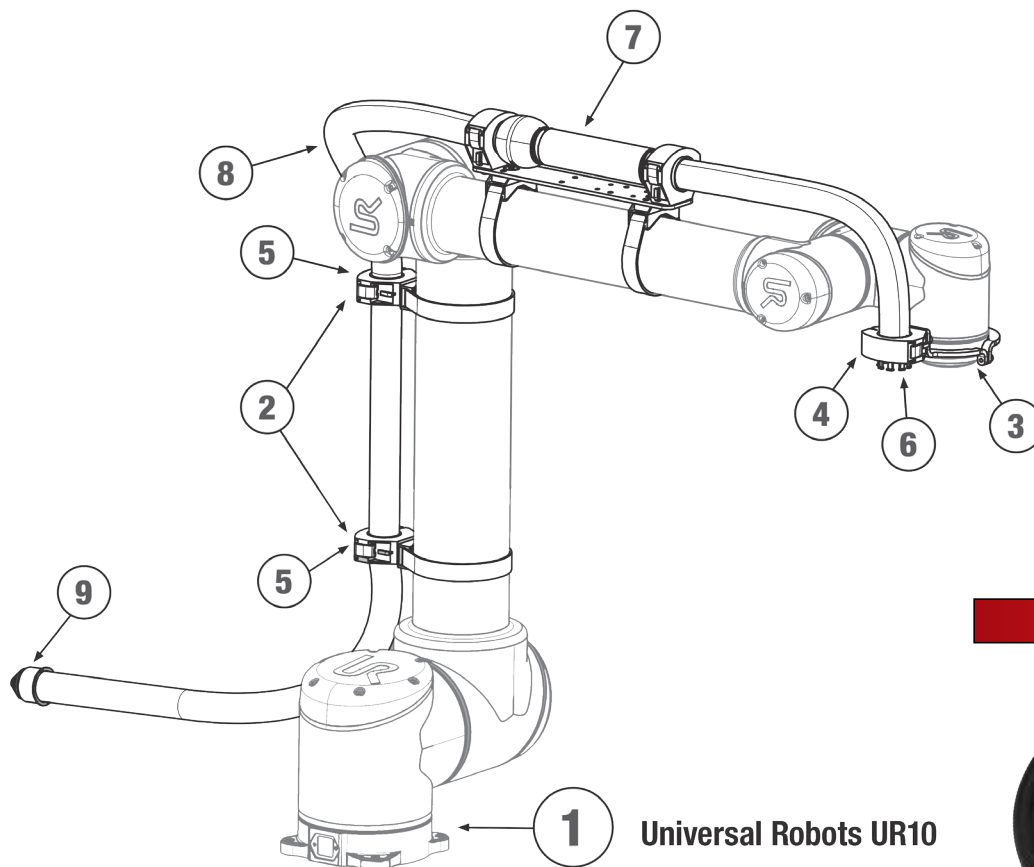
MEDIUM DUTY FLEXIBLE HOLDER SYSTEM

UNIVERSAL ROBOTS UR10 FHS-SH-LS RS KIT, SIZE 29, A1-A6

PART NUMBER NO.: 83693496



Drawing for illustration purposes only.



ORDER NO.

83693496



POS.	PART NUMBER	DESCRIPTION	QTY
1		Universal Robots UR10	
2	83693425	FHS-SH Bracket with 450mm Hook and Loop Strap	2
3	83693203	R-SSR D90 Tension Clamp UR10	1
4	83691462	SH-P/M25-M32 System Holder	1
5	83691660	KMG/F-M32 Fixed Ball Joint	2
6	83692260	KEG/ZL-M32 End Ball Joint With Strain Relief	1
7	83693414	FHS-RS Retraction System Size 29 with Hook and Loop Strap	1
8	83203060	EWX-PP-LS M32/P29 Slit Black Conduit	1pc
9	83723460	ET 29 End Grommet	1

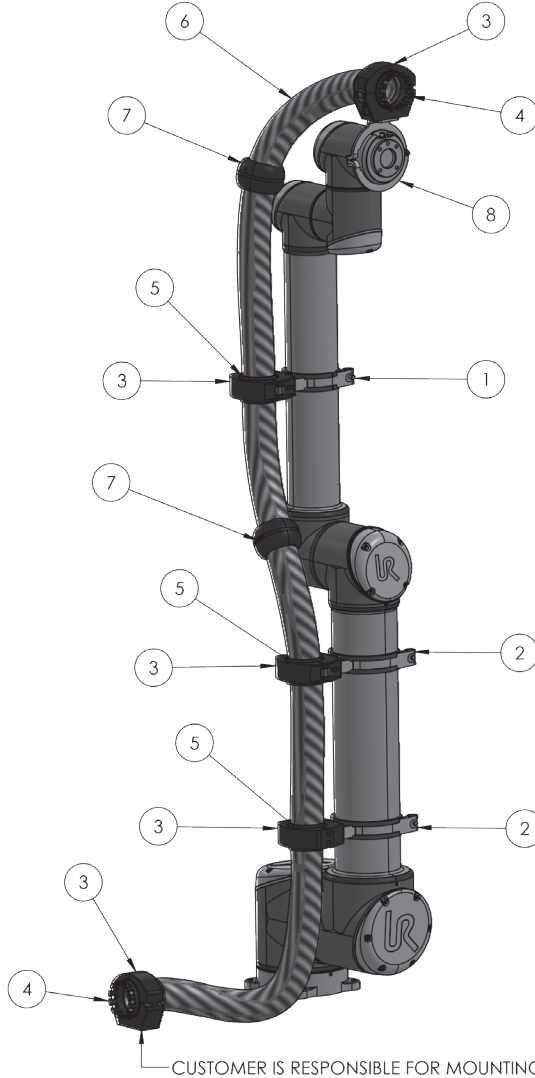
HEAVY DUTY FLEXIBLE HOLDER SYSTEM

UNIVERSAL ROBOTS FHS-SHS UR10/UR16E KIT, SIZE 48, A1-A6

PART NUMBER NO.: 83800858



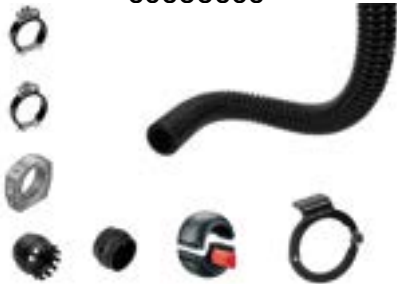
Drawing for illustration purposes only.



CUSTOMER IS RESPONSIBLE FOR MOUNTING THE SYSTEM HOLDER AT J1

ORDER NO.

83800858



POS.	PART NUMBER	DESCRIPTION	QTY
1	83693584	SHS 85-91 System holder clamp	1
2	83693587	SHS 104-112 System holder clamp	2
3	83691460	SH-P/M40-M50 System Holder	5
4	83692264	KEG/ZL-M50 End Ball Joint With Strain Relief	2
5	83691664	KMG/F-M50 Fixed Ball Joint	3
6	83182064	EWX-PAE M50/P48 Black Conduit	3m
7	83691264	PR/SV-EWX 48 Protector	2
8	83693203	R-SSR D90 Tension Clamp UR10	1

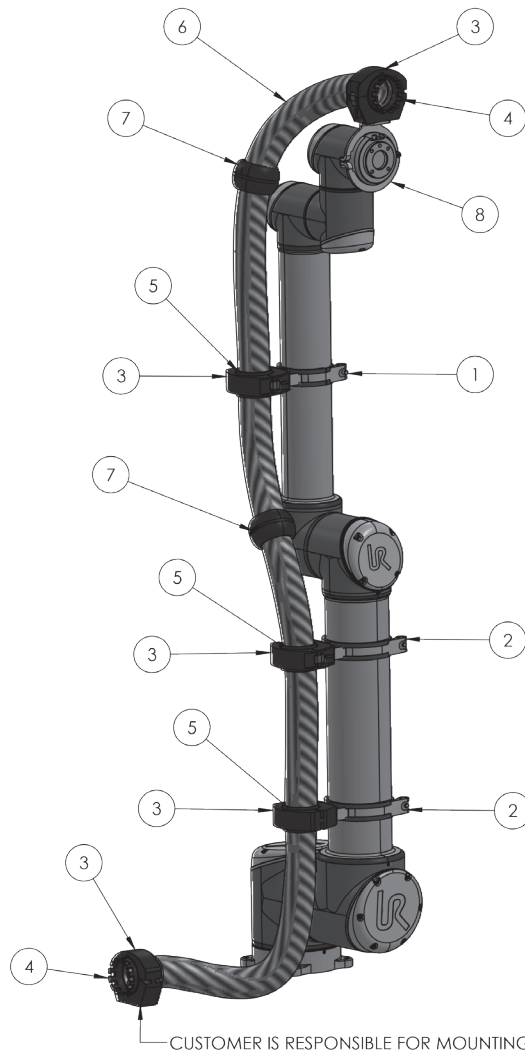
HEAVY DUTY FLEXIBLE HOLDER SYSTEM

UNIVERSAL ROBOTS UR10 FHS-SHS-LS KIT, SIZE 48, A1-A6

PART NUMBER NO.: 83800859



Drawing for illustration purposes only.



CUSTOMER IS RESPONSIBLE FOR MOUNTING THE SYSTEM HOLDER AT J1



POS.	PART NUMBER	DESCRIPTION	QTY
1	83693584	System Holder clamp SHS 88	1
2	83693587	System Holder clamp SHS 108	2
3	83691460	Size 48 System Holder	5
4	83692264	KEG-ZL M50/P48 Strain Relief	2
5	83691664	Fixed Ball Joint	3
6	83182264	EWX-PAE-LS M50/P48 Conduit	3m
7	83691264	Size 48 Strike Guard	2
8	83693203	R-SSR D90 tension clamp UR10	1

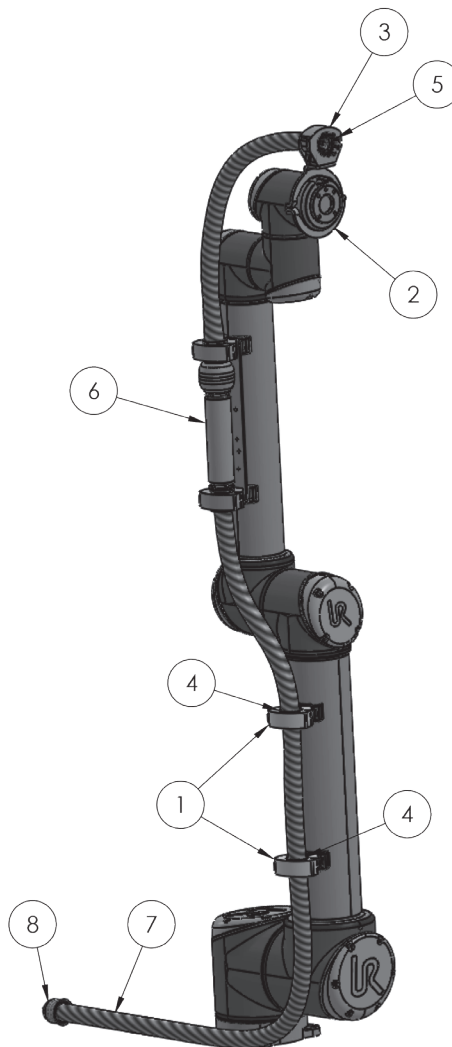
MEDIUM DUTY FLEXIBLE HOLDER SYSTEM

UNIVERSAL ROBOTS UR10 FHS-RS KIT, SIZE 29, A1-A6

PART NUMBER NO.: 83801060



Drawing for illustration purposes only.



ORDER NO.
83801060

Note: Hook and loop straps not shown

POS.	PART NUMBER	DESCRIPTION	QTY
1	83693425	FHS-SH Bracket with 450mm Hook and Loop Strap	2
2	83693203	R-SSR D90 Tension Clamp UR10	1
3	83691462	SH-P/M25-M32 System Holder	1
4	83691660	KMG/F-M32 Fixed Ball Joint	2
5	83692260	KEG/ZL-M32 End Ball Joint With Strain Relief	1
6	83693414	FHS-RS Retraction System Size 29 with Hook and Loop Strap	1
7	83182060	EWX-PAE M32/P29 Black Conduit	3m
8	83723460	ET 29 End Grommet	1

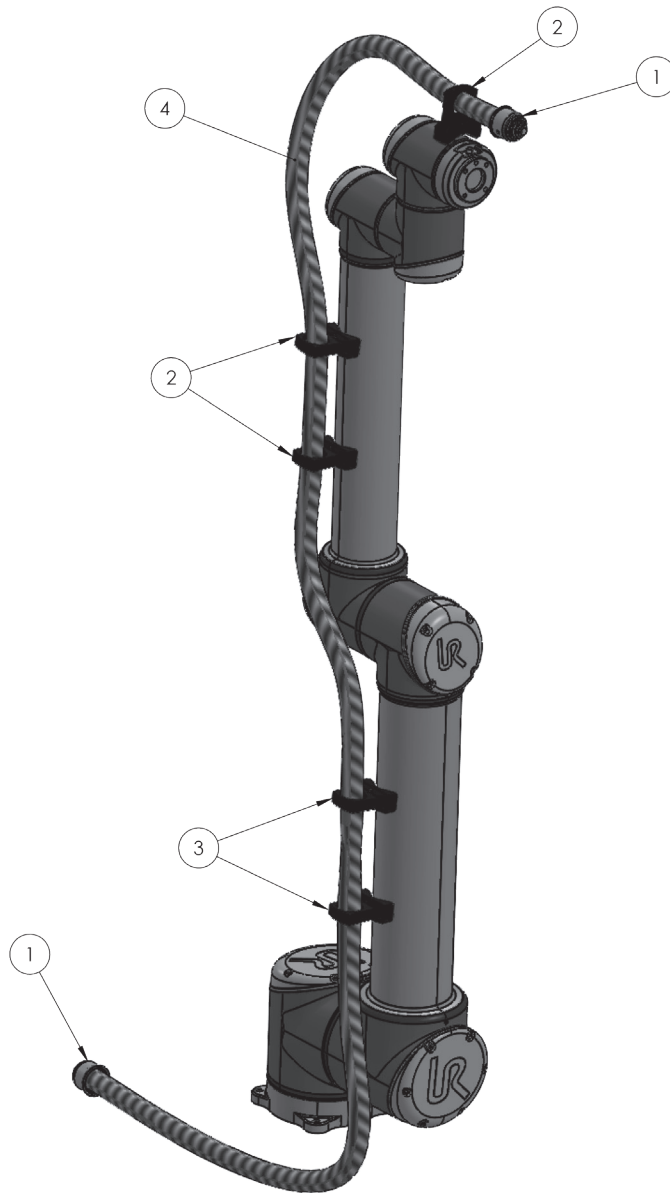
MEDIUM DUTY FLEXIBLE HOLDER SYSTEM

UNIVERSAL ROBOTS UR10 FHS-UHE-LS KIT, SIZE 29, A1-A6

PART NUMBER NO.: 83801082



Drawing for illustration purposes only.



ORDER NO.

83801082



Note: Hook and loop straps not shown

POS.	PART NUMBER	DESCRIPTION	QTY
1	83723460	ET 29 End Grommet	2
2	83693466	FHS-UHE Bracket with 350mm Holder and Loop Strap	3
3	83693467	FHS-UHE Bracket with 450mm Holder and Loop Strap	2
4	83203060	EWX-PP-LS M32/P29 Slit Black Conduit	3m

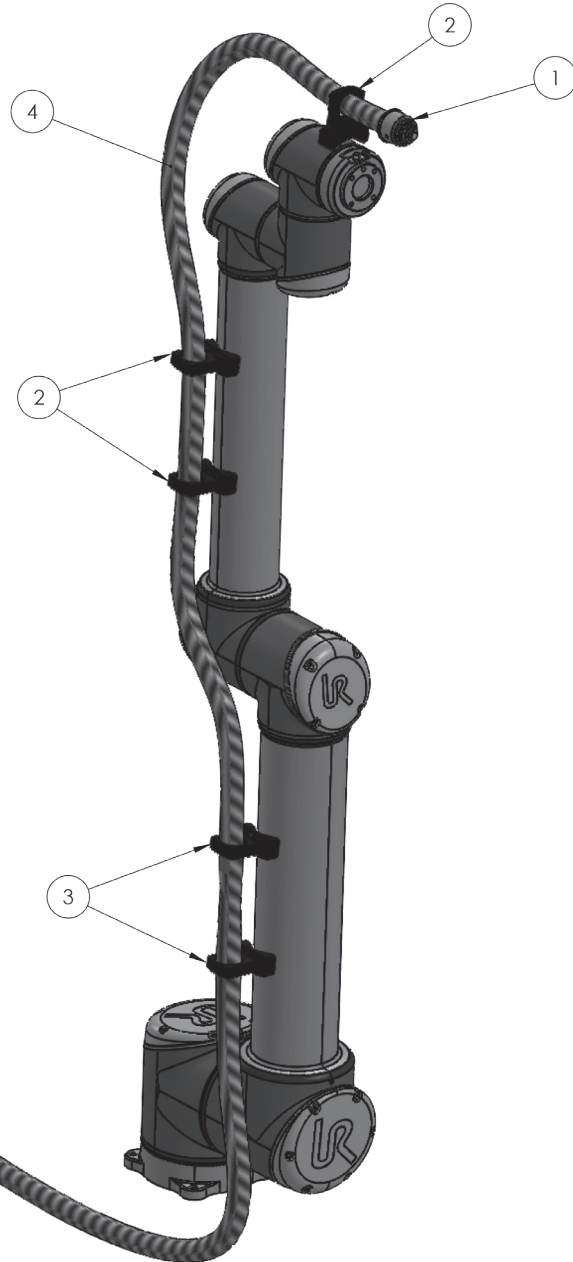
MEDIUM DUTY FLEXIBLE HOLDER SYSTEM

UNIVERSAL ROBOTS UR10 FHS-UHE KIT, SIZE 29, A1-A6

PART NUMBER NO.: 83801083



Drawing for illustration purposes only.



ORDER NO.
83801083

Note: Hook and loop straps not shown

POS.	PART NUMBER	DESCRIPTION	QTY
1	83723460	ET 29 End Grommet	2
2	83693466	FHS-UHE Bracket with 350mm Holder and Loop Strap	3
3	83693467	FHS-UHE Bracket with 450mm Holder and Loop Strap	2
4	83181662	EW-PAE M32/P29 Black Conduit	3m

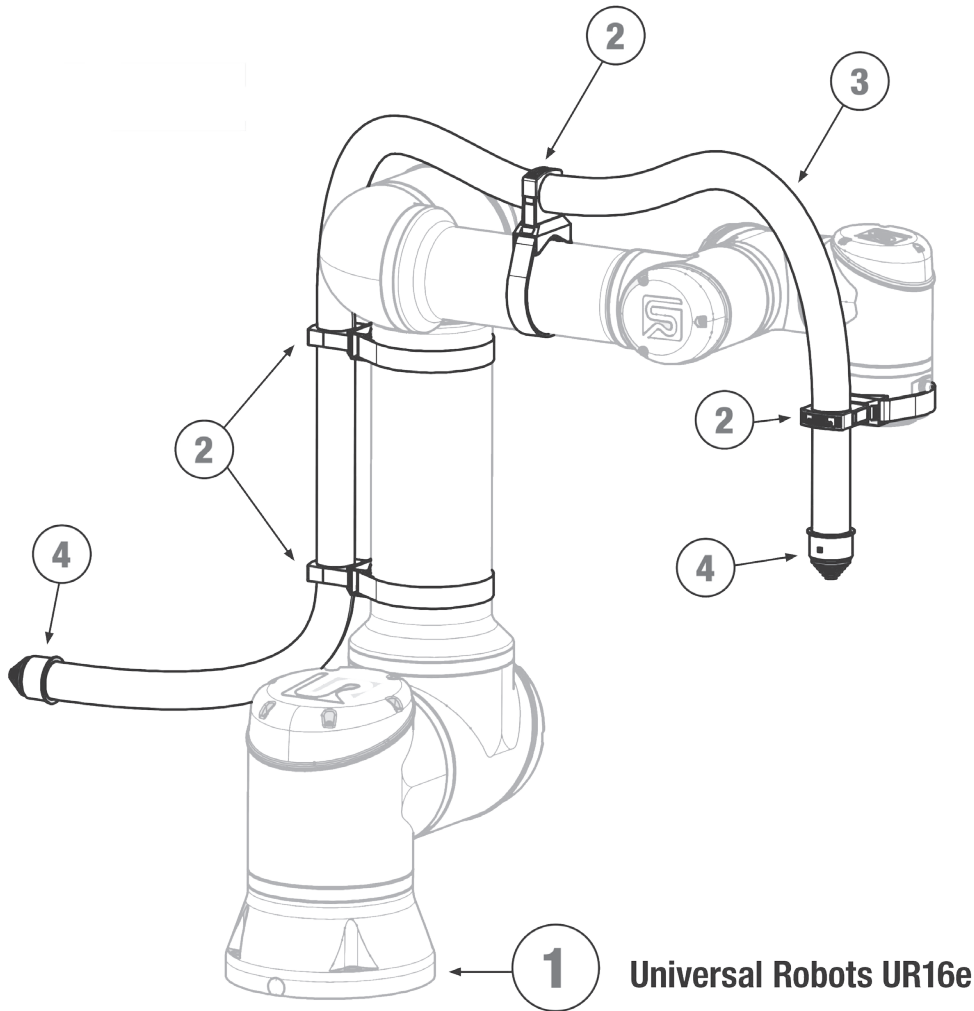
MEDIUM DUTY FLEXIBLE HOLDER SYSTEM

UNIVERSAL ROBOTS UR16E FHS-UHE-LS KIT, SIZE 29, A1-A6

PART NUMBER NO.: 83693497

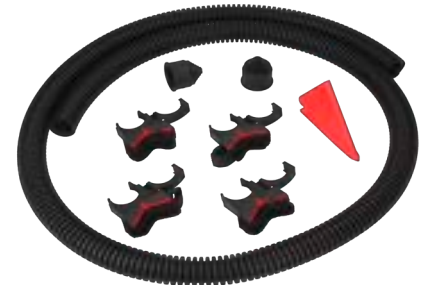


Drawing for illustration purposes only.



ORDER NO.

83693497



POS.	PART NUMBER	DESCRIPTION	QTY
1		Universal Robots UR16e	
2	83693467	FHS-UHE Bracket with 450mm Holder and Loop Strap	4
3	83203060	EWX-PP-LS M32/P29 Slit Black Conduit	3m
4	83723460	ET 29 End Grommet	2

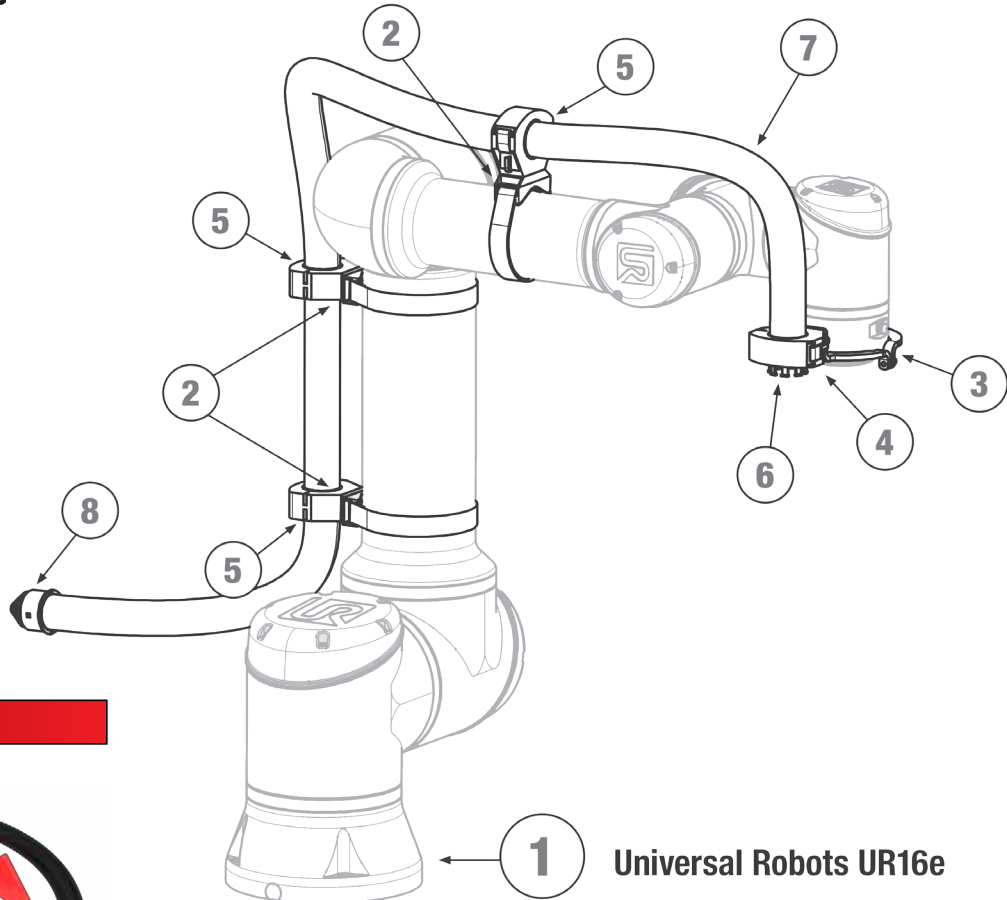
MEDIUM DUTY FLEXIBLE HOLDER SYSTEM

UNIVERSAL ROBOTS UR16E FHS-SH-LS KIT, SIZE 29, A1-A6

PART NUMBER NO.: 83693498



Drawing for illustration purposes only.



ORDER NO.

83693498



POS.	PART NUMBER	DESCRIPTION	QTY
1		Universal Robots UR16e	
2	83693425	FHS-SH Bracket with 450mm Hook and Loop Strap	3
3	83693203	R-SSR D90 Tension Clamp UR10	1
4	83691462	SH-P/M25-M32 System Holder	1
5	83691660	KMG/F-M32 Fixed Ball Joint	3
6	83692260	KEG/ZL-M32 End Ball Joint With Strain Relief	1
7	83203060	EWX-PP-LS M32/P29 Slit Black Conduit	3m
8	83723460	ET 29 End Grommet	1

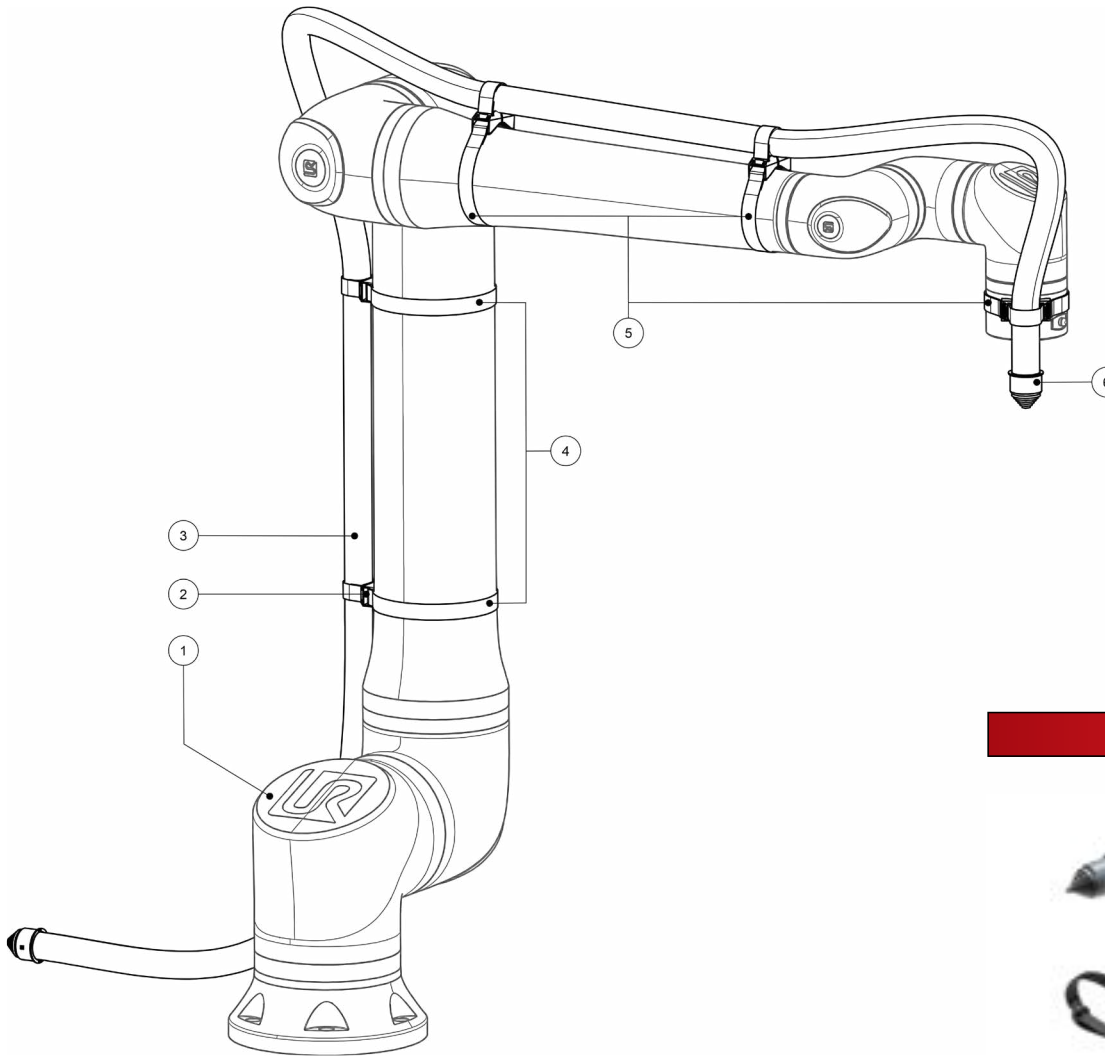
MEDIUM DUTY FLEXIBLE HOLDER SYSTEM

UNIVERSAL ROBOTS UR20 FHS-C-LS KIT, SIZE 29, A1-A6

PART NUMBER NO.: 83693485



Drawing for illustration purposes only.



ORDER NO.

83693485



Line 2 not individually shown.

POS.	PART NUMBER	DESCRIPTION	QTY
1		Universal Robots UR20	
2	83693421	FHE 16-29 Bracket, no Straps	5
3	83203060	EWX-PP-LS M32/P29 Slit Black Conduit	4m
4	83693417	KKR Fix 650mm Hook and Loop Strap	2
5	83693405	Hook and Loop Strap 550mm	3
6	83723460	ET 29 End Grommet	2

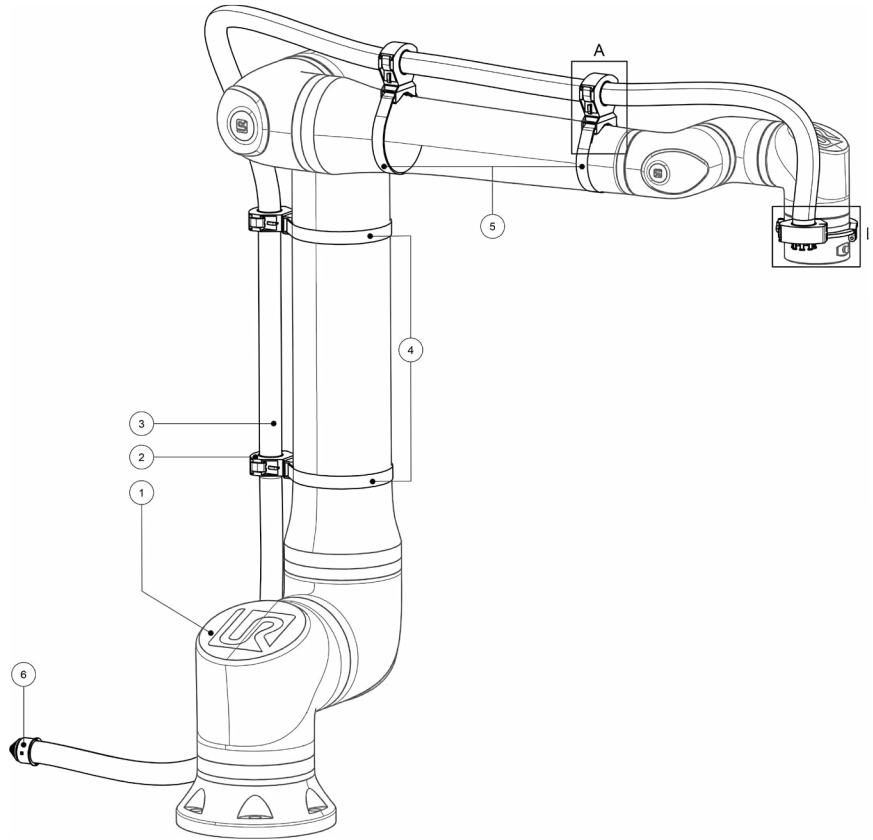
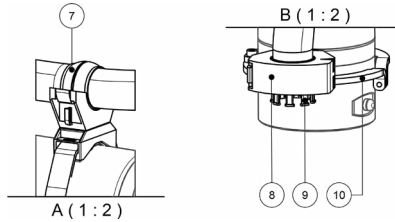
LIGHT DUTY FLEXIBLE HOLDER SYSTEM

UNIVERSAL ROBOTS UR20 FHS-SH-LS KIT, SIZE 29, A1-A6

PART NUMBER NO.: 83693499

 **UNIVERSAL ROBOTS**

Drawing for illustration purposes only.



ORDER NO.
83693499



Line 2 not shown individually.

POS.	PART NUMBER	DESCRIPTION	QTY
1		Universal Robots UR20	
2	83693420	FHS-SH-G System Holder Mounting Base	4
3	83203060	EWX-PP-LS M32/P29 Slit Black Conduit	4m
4	83693417	KKR Fix 650mm Hook and Loop Strap	2
5	83693405	Hook and Loop Strap 550mm	2
6	83723460	ET 29 End Grommet	1
7	83691660	KMG/F-M32 Fixed Ball Joint	4
8	83691462	SH-P/M25-M32 System Holder	1
9	83692260	KEG/ZL-M32 End Ball Joint With Strain Relief	1
10	83693225	R-SSR D100 Tension Clamp	1

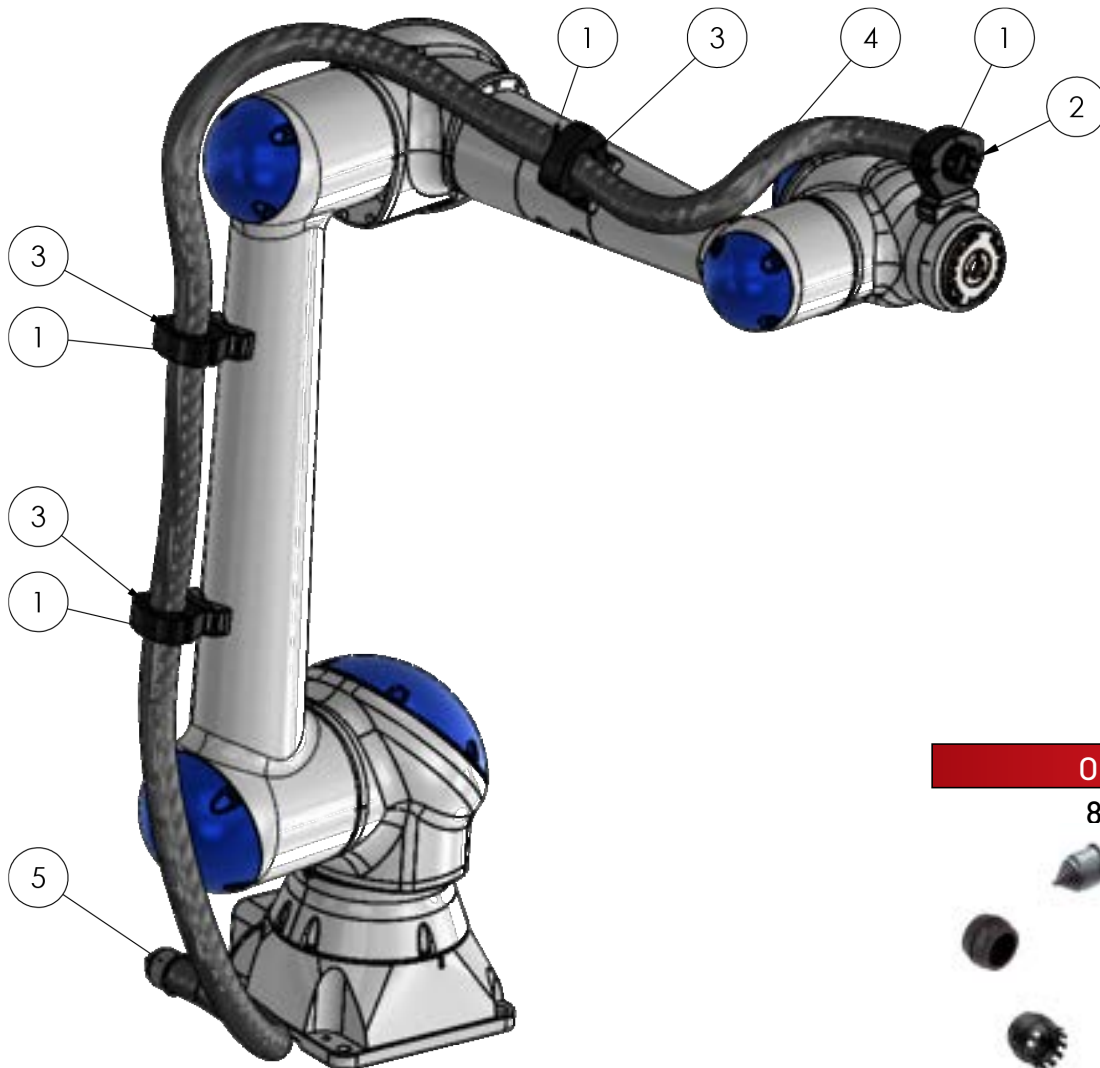
LIGHT DUTY FLEXIBLE HOLDER SYSTEM

YASKAWA HC10 FHS-SH-LS KIT, SIZE 29, A1-A6

PART NUMBER NO.: 83800504

YASKAWA

Drawing for illustration purposes only.



ORDER NO.

83800504



Note: Hook and loop straps not shown
Item 1 not shown individually

POS.	PART NUMBER	DESCRIPTION	QTY
1	83693427	FHS-SH Bracket with 550mm Hook and Loop Strap	4
2	83692260	KEG/ZL-M32 End Ball Joint With Strain Relief	1
3	83691660	KMG/F-M32 Fixed Ball Joint	3
4	83203060	EWX-PP-LS M32/P29 Slit Black Conduit	3.5m
5	83723460	ET 29 End Grommet	1

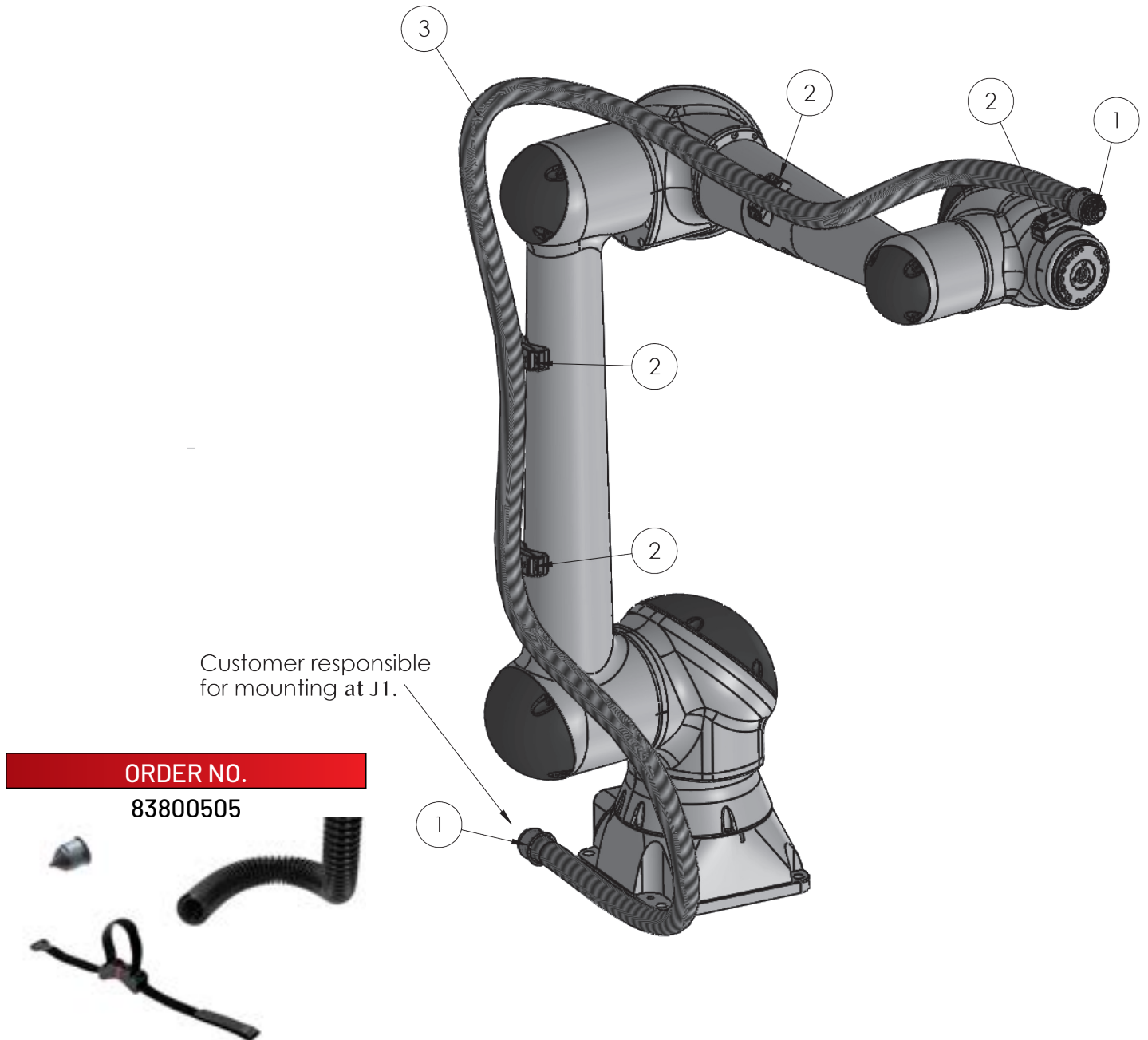
LIGHT DUTY FLEXIBLE HOLDER SYSTEM

YASKAWA HC10 FHS-C KIT, SIZE 29, A1-A6

PART NUMBER NO.: 83800505

YASKAWA

Drawing for illustration purposes only.



Customer responsible for mounting at J1.

ORDER NO.

83800505

Note: Hook and loop straps not shown

POS.	PART NUMBER	DESCRIPTION	QTY
1	83723460	ET 29 End Grommet	2
2	83693447	FHS-C Bracket with 550mm Hook and Loop Strap	4
3	83182060	EWX-PAE M32/P29 Black Conduit	3m

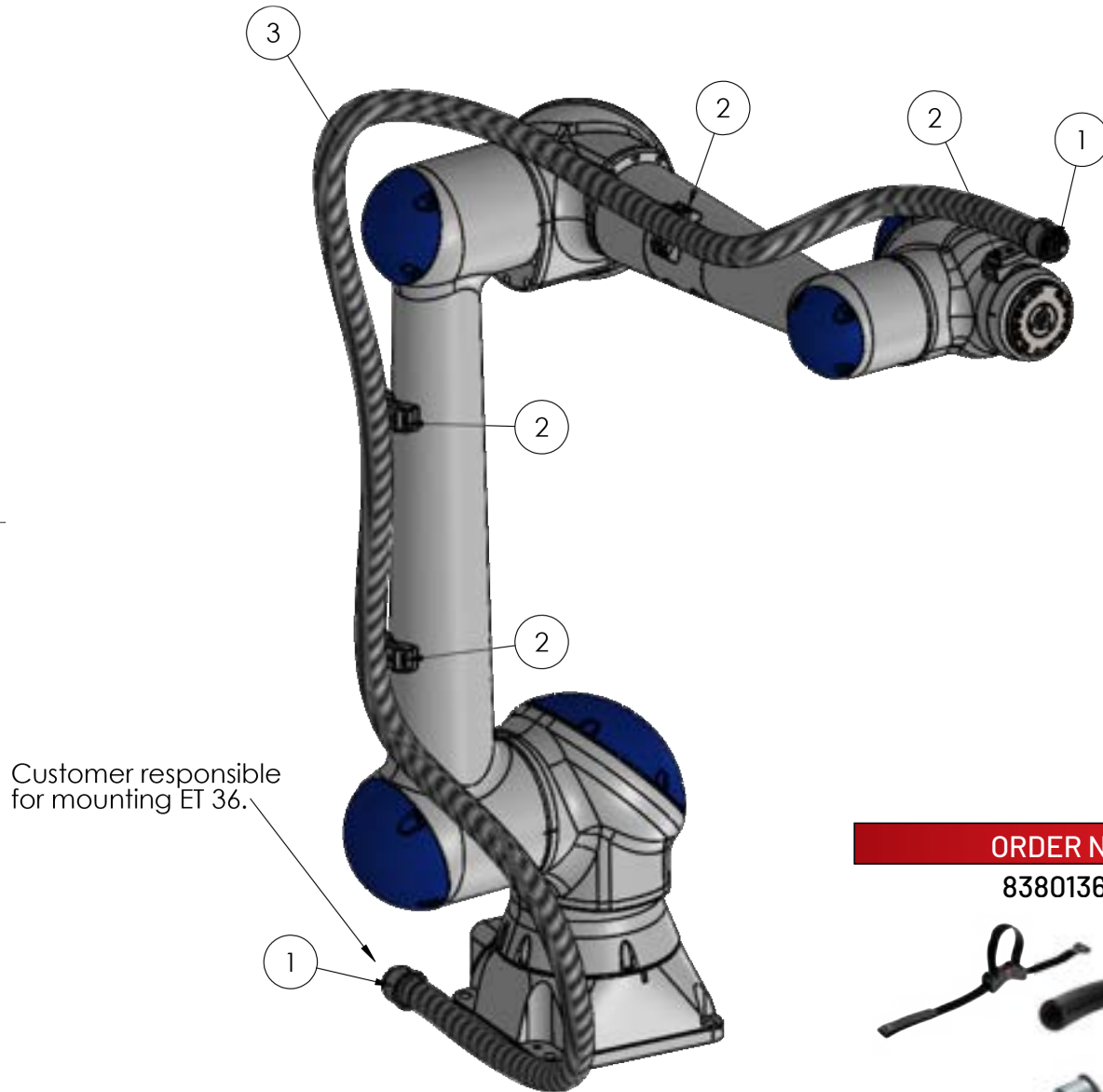
LIGHT DUTY FLEXIBLE HOLDER SYSTEM

YASKAWA HC10 FHS-C KIT, SIZE 36, A1-A6

PART NUMBER NO.: 83801368

YASKAWA

Drawing for illustration purposes only.



Customer responsible for mounting ET 36.

ORDER NO.

83801368



Note: Hook and loop straps not shown
Item 1 not shown individually

POS.	PART NUMBER	DESCRIPTION	QTY
1	83723462	ET 36 End Grommet	2
2	83693447	FHS-C Bracket with 550mm Hook and Loop Strap	4
3	83182062	EWX-PAE M40/P36 Black Conduit	3m

LIGHT DUTY FLEXIBLE HOLDER SYSTEM

YASKAWA HC10DTP FHS-C KIT, SIZE 29, A1-A6

PART NUMBER NO.: 83800692

YASKAWA

Drawing for illustration purposes only.



Note: Hook and loop straps not shown
Item 5 not shown individually

POS.	PART NUMBER	DESCRIPTION	QTY
1	83693447	FHS-C Bracket with 550mm Hook and Loop Strap	3
2	83723460	ET 29 End Grommet	1
3	83691462	SH-P/M25-M32 System Holder	1
4	83692260	KEG/ZL-M32 End Ball Joint With Strain Relief	1
5	83800695	63mm Diameter Wrist Support	1
6	83182060	EWX-PAE M32/P29 Black Conduit	3.5m

LIGHT DUTY FLEXIBLE HOLDER SYSTEM

YASKAWA HC10DTP FHS-SH KIT, SIZE 29, A1-A6

PART NUMBER NO.: 83800693

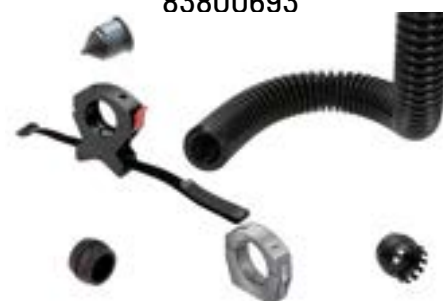
YASKAWA

Drawing for illustration purposes only.



ORDER NO.

83800693



Note: Hook and loop straps not shown
Item 5 not shown individually

POS.	PART NUMBER	DESCRIPTION	QTY
1	83723460	ET 29 End Grommet	1
2	83693427	FHS-SH Bracket with 550mm Hook and Loop Strap	3
3	83691660	KMG/F-M32 Fixed Ball Joint	3
4	83691462	SH-P/M25-M32 System Holder	1
5	83800695	63mm Diameter Wrist Support	1
6	83692260	KEG/ZL-M32 End Ball Joint With Strain Relief	1
7	83182060	EWX-PAE M32/P29 Black Conduit	3.5m

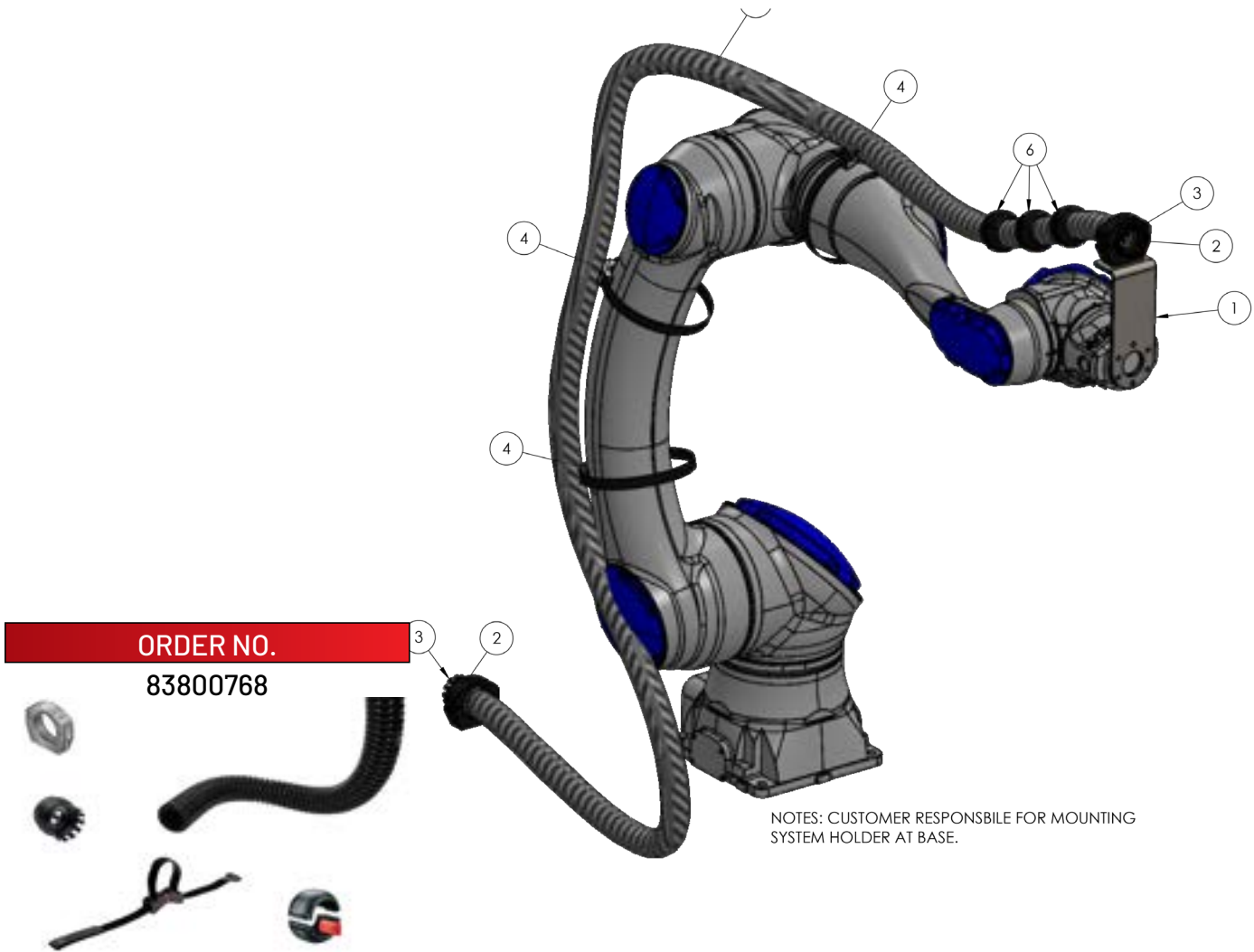
LIGHT DUTY FLEXIBLE HOLDER SYSTEM

YASKAWA HC20DT FHS-C KIT, SIZE 48, A1-A6

PART NUMBER NO.: 83800768

YASKAWA

Drawing for illustration purposes only.



Note: Hook and loop straps not shown
Item 1 not shown individually

POS.	PART NUMBER	DESCRIPTION	QTY
1	83801195	Wrist Support	1
2	83691460	SH-P/M40-M50 System Holder	2
3	83692264	KEG/ZL-M50 End Ball Joint With Strain Relief	2
4	83693449	FHS-C Bracket with 750mm Hook and Loop Strap	3
5	83182064	EWX-PAE M50/P48 Black Conduit	4m
6	83691264	PR/SV-EWX 48 Protector	3

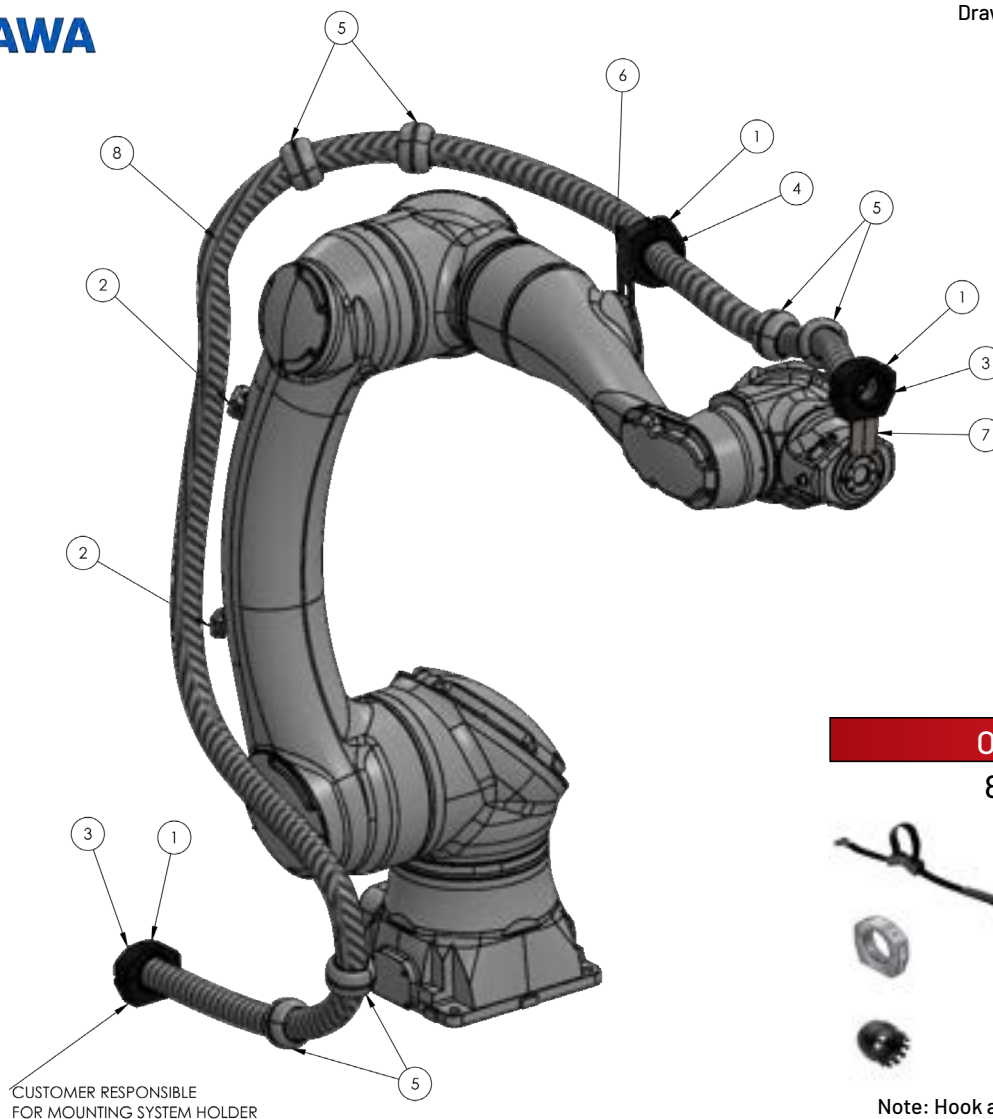
LIGHT DUTY FLEXIBLE HOLDER SYSTEM

YASKAWA HC20DTP FHS-C KIT, SIZE 48, A1-A6

PART NUMBER NO.: 83800660

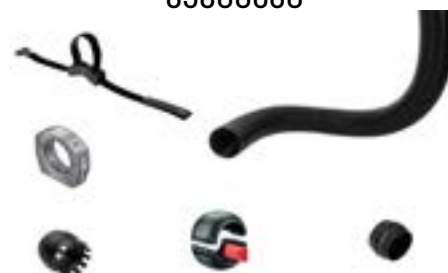
YASKAWA

Drawing for illustration purposes only.



ORDER NO.

83800660



Note: Hook and loop straps not shown
Items 6 and 7 not shown individually

POS.	PART NUMBER	DESCRIPTION	QTY
1	83691460	SH-P/M40-M50 System Holder	3
2	83693449	FHS-C Bracket with 750mm Hook and Loop Strap	2
3	83692264	KEG/ZL-M50 End Ball Joint With Strain Relief	2
4	83691664	KMG/F-M50 Fixed Ball Joint	1
5	83691064	PR/SV-EW 48 Protector	6
6	83800653	A4 SH Mount Plate	1
7	83800695	63mm Diameter Wrist Support	1
8	83181666	EW-PAE M50/P48 Black Conduit	4m

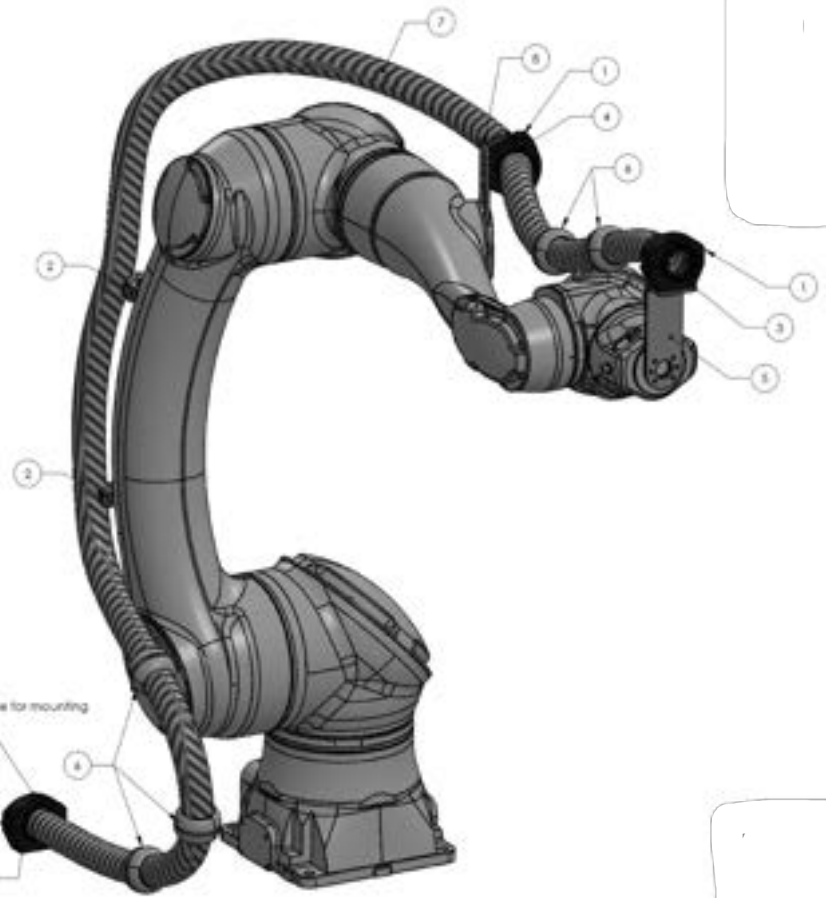
LIGHT DUTY FLEXIBLE HOLDER SYSTEM

YASKAWA HC20DTP FHS-C KIT, SIZE 48, A1-A6

PART NUMBER NO.: 83800694

YASKAWA

Drawing for illustration purposes only.



ORDER NO.
83800694

Note: Hook and loop straps not shown
Item 1 not shown individually

POS.	PART NUMBER	DESCRIPTION	QTY
1	83691460	SH-P/M40-M50 System Holder	3
2	83693449	FHS-C Bracket with 750mm Hook and Loop Strap	2
3	83692264	KEG/ZL-M50 End Ball Joint With Strain Relief	2
4	83691664	KMG/F-M50 Fixed Ball Joint	1
5	83800695	63mm Diameter Wrist Support	1
6	83691064	PR/SV-EW 48 Protector	5
7	83181666	EW-PAE M50/P48 Black Conduit	4m
8	83800653	A4 SH Mount Plate	1

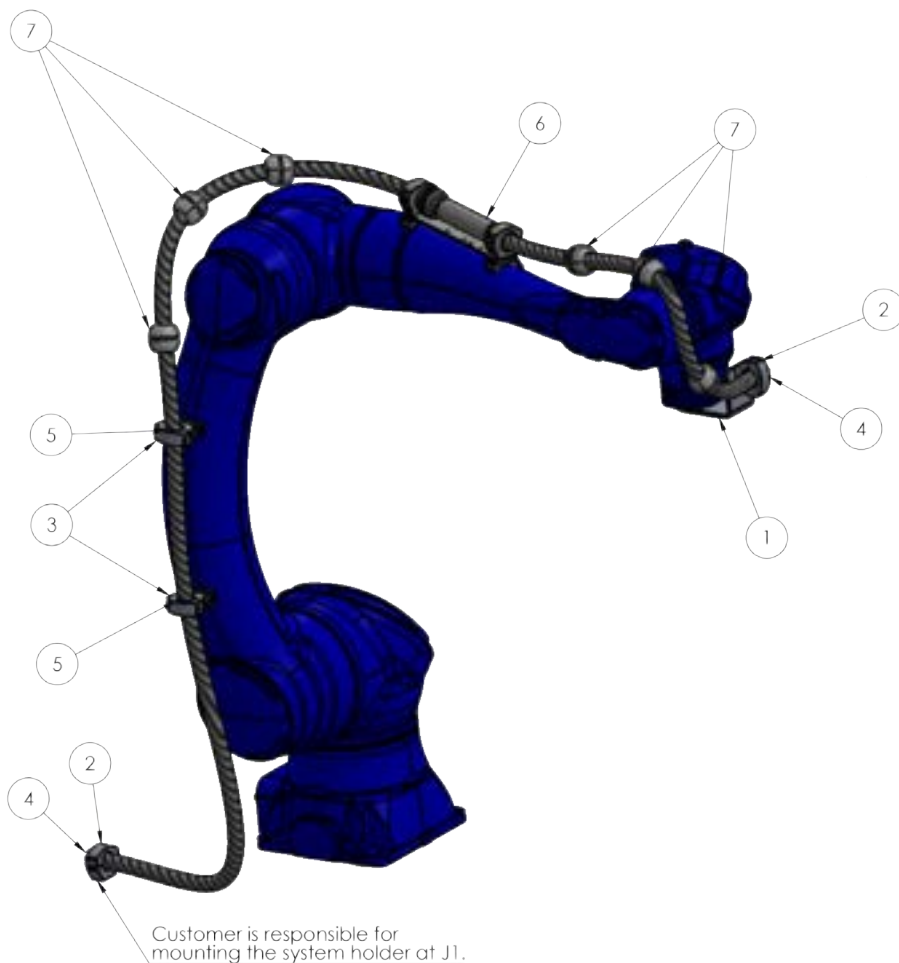
LIGHT DUTY FLEXIBLE HOLDER SYSTEM

YASKAWA HC30PL FHS-SH KIT, SIZE 29, A1-A6

PART NUMBER NO.: 83800972

YASKAWA

Drawing for illustration purposes only.



ORDER NO.

83800972



Note: Hook and loop straps not shown
Item 1 not shown individually

POS.	PART NUMBER	DESCRIPTION	QTY
1	83800975	63D Wrist Support	1
2	83691462	SH-P/M25-M32 System Holder	2
3	83693429	FHS-SH Bracket with 750mm Hook and Loop Strap	2
4	83692260	KEG/ZL-M32 End Ball Joint With Strain Relief	2
5	83691660	KMG/F-M32 Fixed Ball Joint	2
6	83693414	FHS-RS Retraction System Size 29 with Hook and Loop Strap	1
7	83691260	PR/SV-EWX 29 Protector	6
8	83182060	EWX-PAE M32/P29 Black Conduit	4m

LIGHT DUTY FLEXIBLE HOLDER SYSTEM

UNIVERSAL KITS, A1-A6

PART NUMBER NO.: 83693525 AND 83693526

Drawing for illustration purposes only.

Sets specially adapted to the cable routing on cobots and small robots. The robot kit UNI offers the possibility of professional cable routing on almost all models. The assembly includes the protective conduit, end sleeves and the appropriate fastening with non-slip hook-and-loop tape. Hook-and-loop tapes in four different lengths are included for each fixing point, from which the appropriate one can be selected.

For an easier installation of pre-assembled cables, the protective conduit in slotted version is included in the FHS-C set UNI-LS.



ORDER NO.

83693525

FHS-C SET UNI

PART NO.	DESCRIPTION	QTY
83693442	FHS-C Set with all lengths of straps	5
83202860	EWX-PP M32//P29 conduit	1m
83723460	ET 29 end grommet	2

ORDER NO.

83693526

FHS-C SET UNI-LS

PART NO.	DESCRIPTION	QTY
83693442	FHS-C Set with all lengths of straps	5
83203060	EWX-PP-LS M32//P29 conduit	2m
83729010	Cable running tool	1
83723460	ET 29 end grommet	2



DISTRIBUTED BY:



Air-Oil Systems, Inc.

AUTOMATION SOLUTIONS

753 WAMBOLD ROAD SOUDERTON, PA 18964-2715

215.721.9595 800.333.5520 FAX 215.721.7666

www.airoil.com